

**FRESH AIR INTAKE ADAPTER  
INSTALLATION (PA08560)**

**MAX CADDY FURNACE**



The installation of the fresh air intake adapter may be done at the right hand side or at the left hand side your Max Caddy furnace.

*For installation on the right hand side, follow steps 1 to 12.*

*For installation on the left hand side, follow steps 1 to 7 and 13 to 17 inclusively.*

Step 1 : If the ash lip is not installed, proceed to step 2. If it is installed, remove it by unscrewing the 3 screws securing it in place. Once it is removed, screw the 3 screws in the same holes.

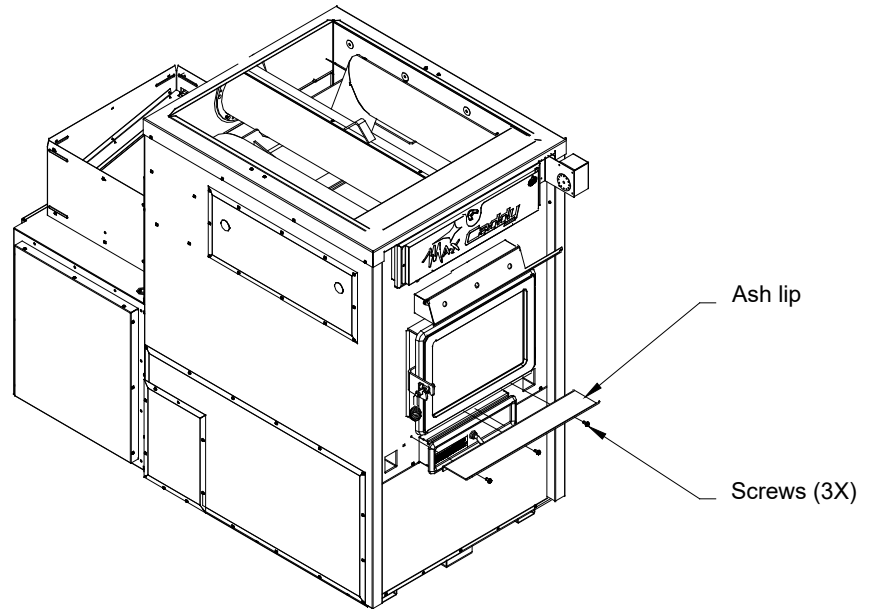


FIGURE 1

Step 2 : Unscrew the 4 screws identified by the arrows on figure 2. Keep the 2 top screws. You may dispose of the 2 bottom screws.

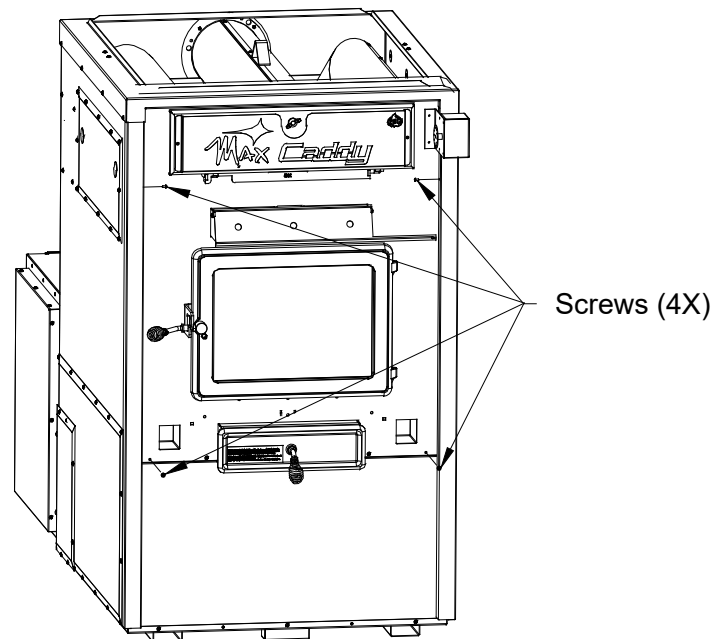


FIGURE 2

Step 3 : Remove the door.

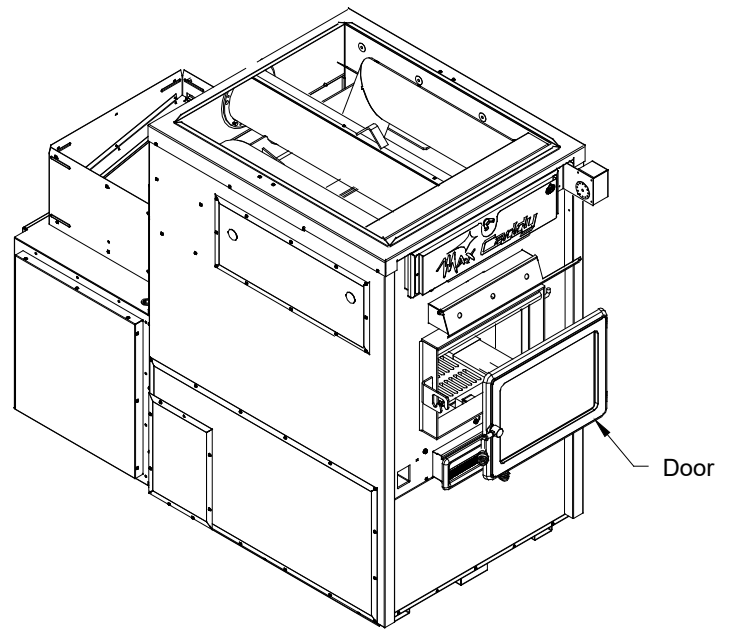


FIGURE 3

Step 4 : Install the lower part of the fresh air intake adapter using 2 screws supplied in the kit. Screw them in the bottom holes identified at step 2. Do not screw them completely because an adjustment will be necessary in the following steps.

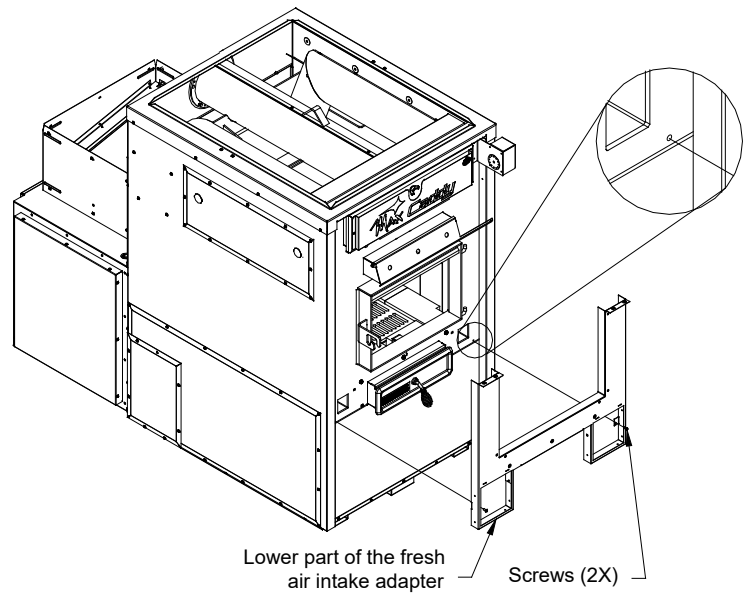


FIGURE 4

Step 5 : Reinstall the door.

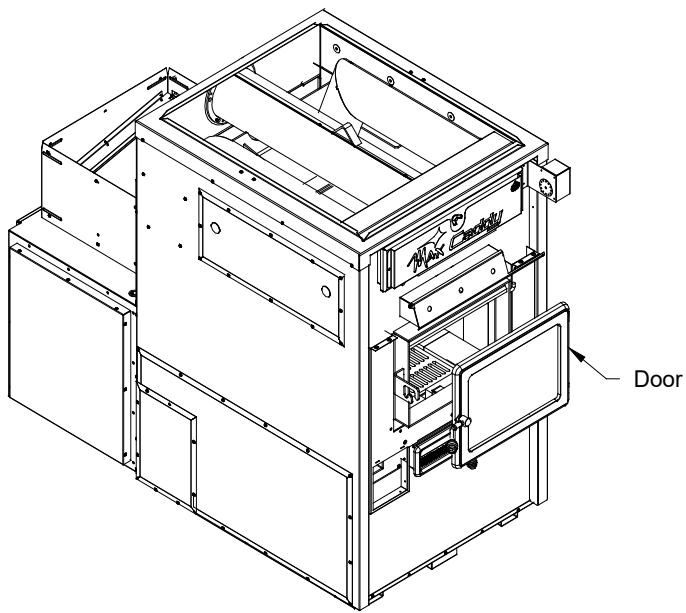
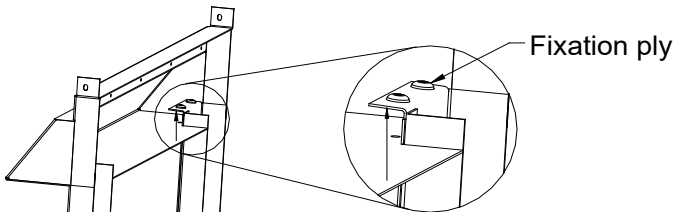


FIGURE 5



DETAIL A

Step 6 : Remove the part of the chain attached to the damper motor. Then, pass the chain through the opening located at the right of the upper part of the fresh air intake adapter. Secure the upper part of the fresh air intake adapter onto the right and left walls of the furnace using the 2 screws kept from step 2 while positioning the fixation ply of the lower part of the fresh air intake adapter into the upper part of the fresh air intake adapter (see detail A). Do not screw completely because adjustments will be necessary in the following steps. Re-attach the chain to the damper motor.

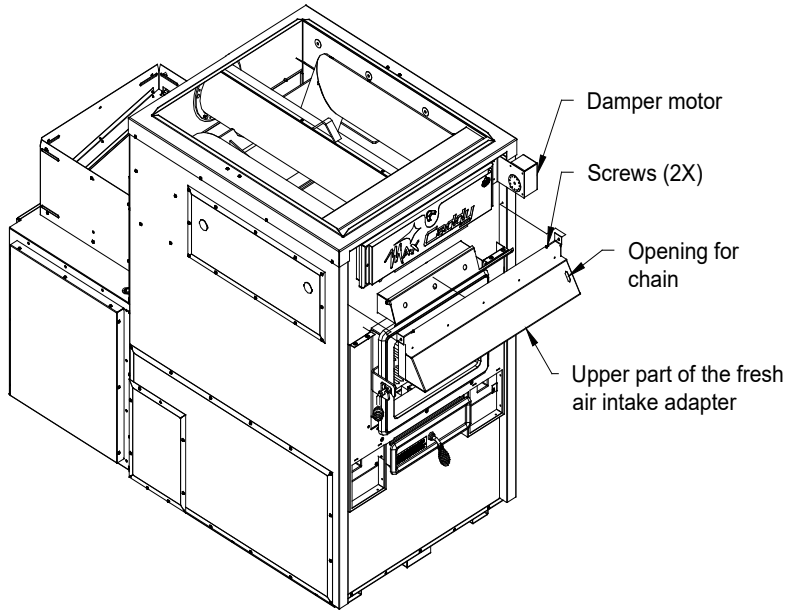


FIGURE 6

Step 7: You are now ready to make the necessary adjustments of the upper and lower part of the fresh air intake adapter. Secure the lower part to the upper part of the fresh air intake adapter using the 4 screws supplied. The fresh air intake adapter is well adjusted when the door opens easily and when the chains moves freely. When it is well adjusted, secure the assembly in place by screwing completely the 4 screws used at steps 4 and 6.

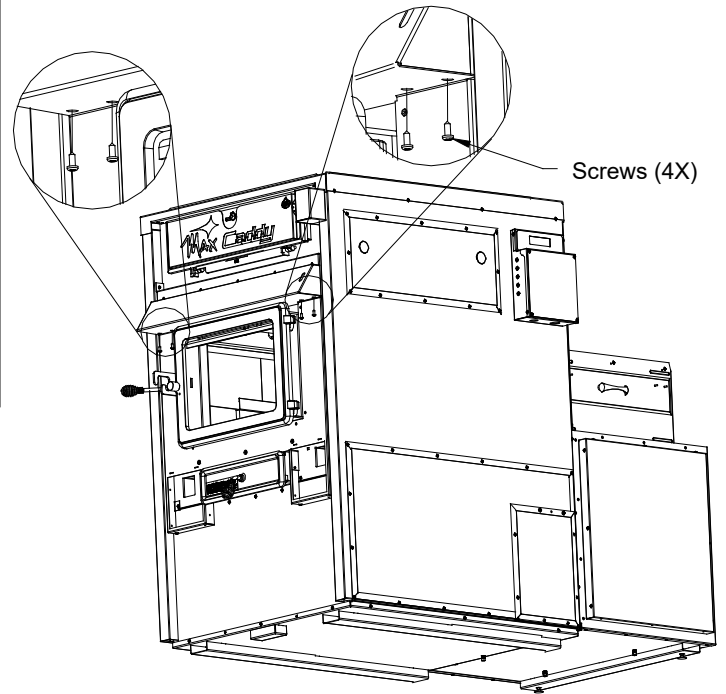


FIGURE 7

**For installation on the right hand side**

Step 8: Secure the right fresh air intake adapter box to the lower part of the fresh air intake adapter. In order to do so, insert the legs of the right fresh air intake adapter box into the notches of the lower part of the fresh air intake adapter. Then, secure the lid of the fresh air intake adapter to the lower part of the fresh air intake adapter. In order to do so, insert the legs of the lid into the notches of the lower part of the fresh air intake adapter.

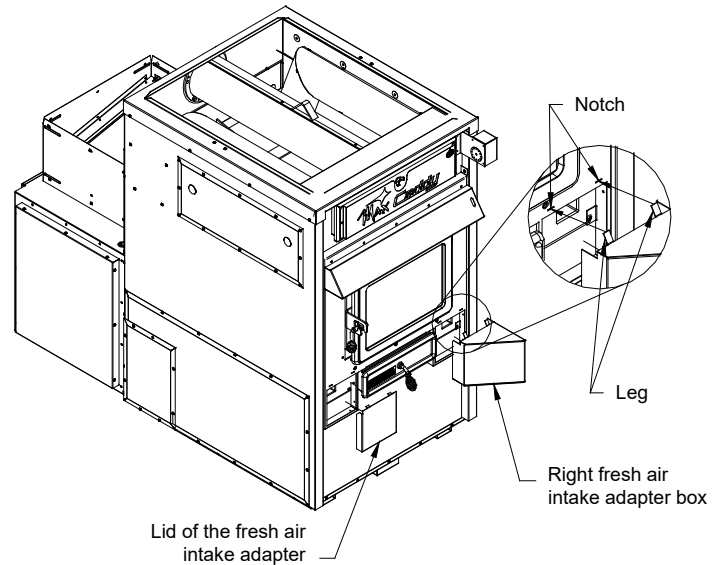


FIGURE 8

Step 9 : Secure the lid of the fresh air intake adapter and the right box to the lower part of the fresh air intake adapter using the 2 screws supplied as shown on figure 9.

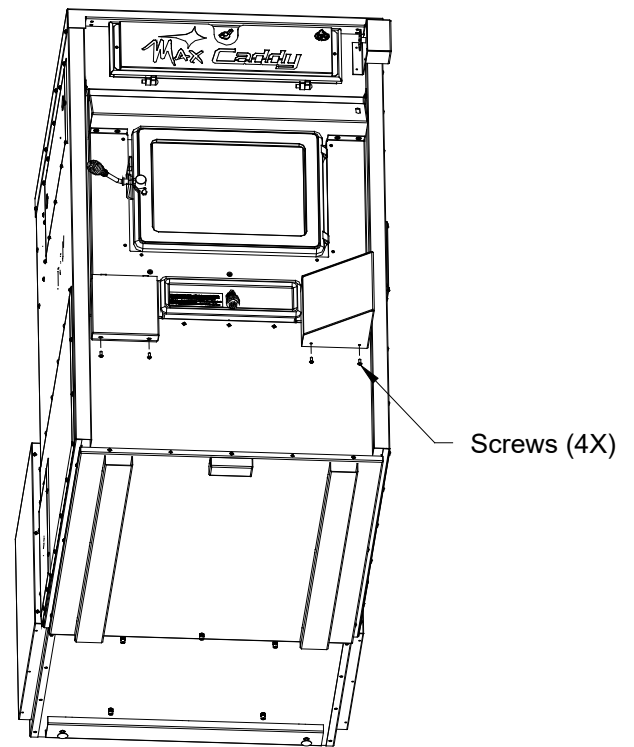


FIGURE 9

Step 10 : You are now ready to prepare the fresh air intake adapter (Figure 10A). To do so, start by cutting a « V » shape notch using sheet metal scissors as shown on figure 10A. Use pliers to bend a part of the lip of the adapter towards the exterior as shown by the arrow on figure 10A. If you have difficulties when fixing the round adapter, you must open the lip all around to facilitate the installation.

**Note:** It is possible to have another type of adapter (see figure 10B). This adapter does not require any preparation.

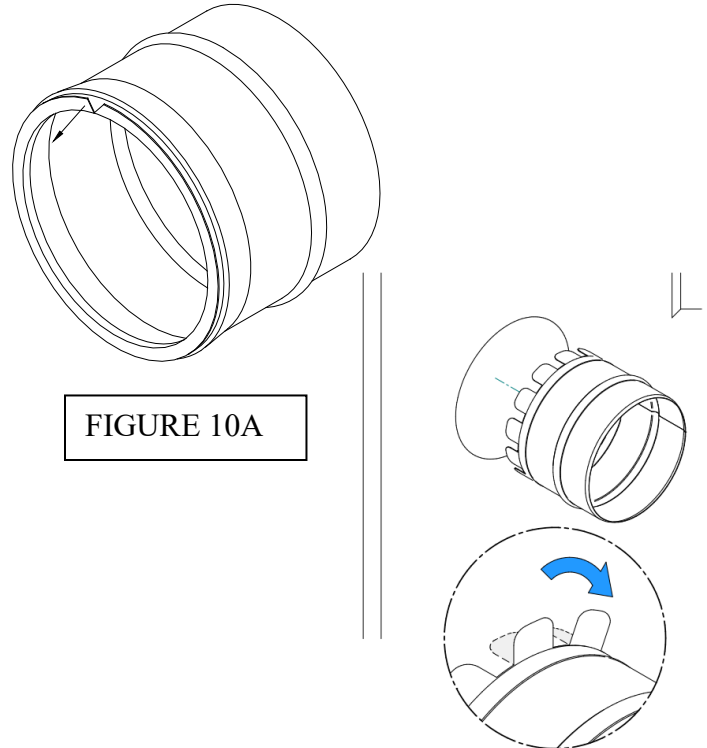


FIGURE 10A

FIGURE 10B

**Step 11 :**

With the adapter from figure 10A: Screw the fresh air intake adapter to the fresh air adapter box. It is important to align the « V » shape notch of the adapter to the encoche of the fresh air intake adapter box.

With the adapter from figure 10B: Install the fresh air inlet adapter onto the fresh air inlet box. To secure the adapter in place, bend the fins as shown in Figure 10B.

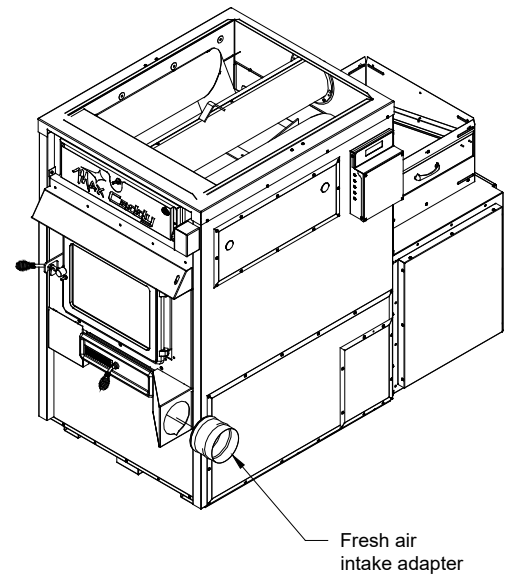


FIGURE 11

**Step 12 :** Screw the ash lip to the fresh air intake adapter using the 3 screws supplied as shown on figure 12.

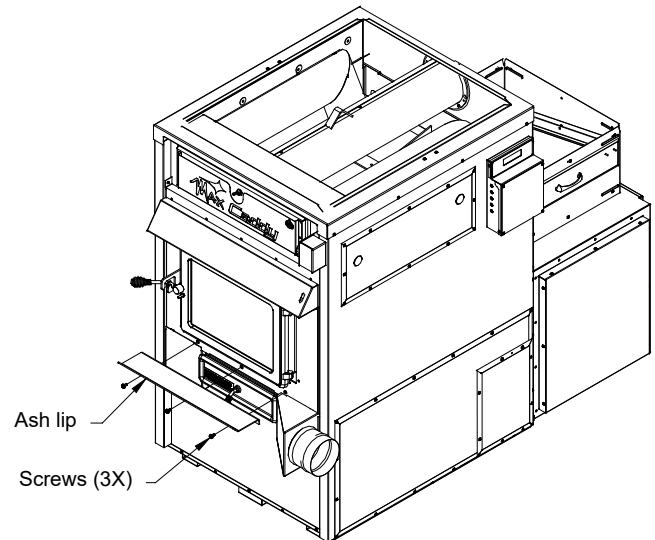


FIGURE 12

**For installation of the fresh air intake adapter on the left hand side of the Max Caddy furnace**

Step 13 : Secure the **left** fresh air intake adapter box to the lower part of the fresh air intake adapter. In order to do so, insert the legs of the left fresh air intake adapter box into the notches of the lower part of the fresh air intake adapter. Then, secure the lid of the fresh air intake adapter to the lower part of the fresh air intake adapter. In order to do so, insert the legs of the lid into the notches of the lower part of the fresh air intake adapter.

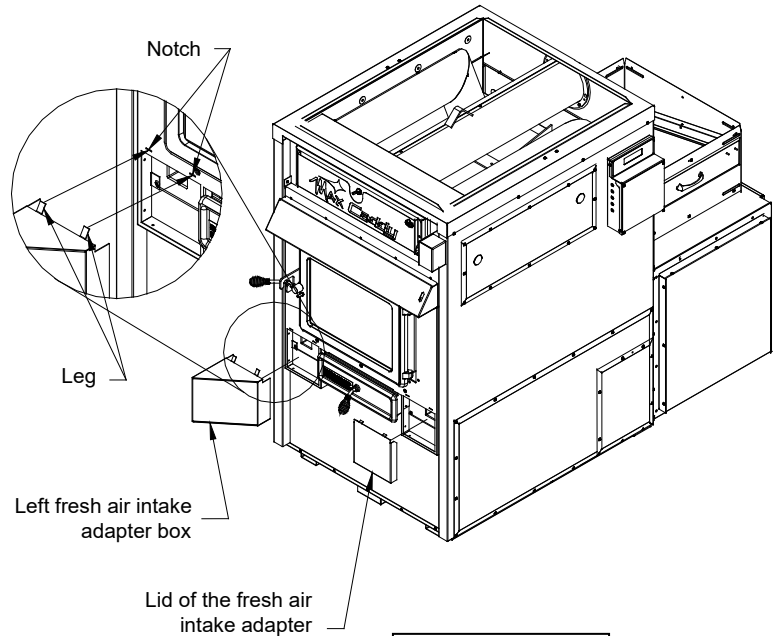


FIGURE 13

Step 14 : Secure the lid of the fresh air intake adapter and the left box to the lower part of the fresh air intake adapter using the 2 screws supplied as shown on figure 14.

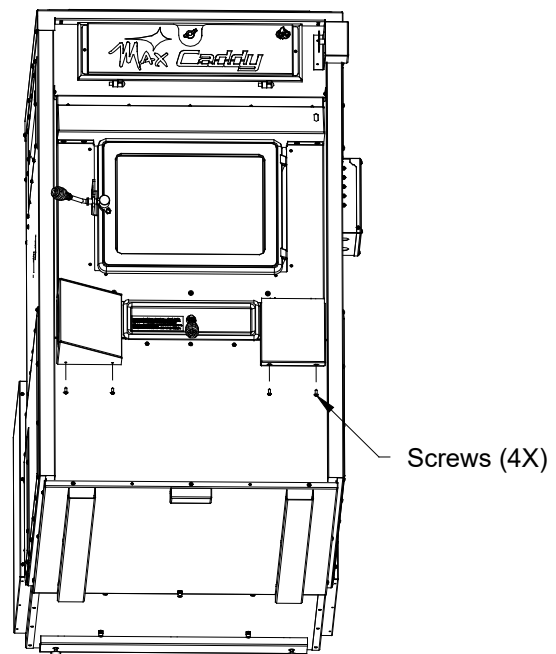


FIGURE 14



Step 15 : You are now ready to prepare the fresh air intake adapter (Figure 15A).

To do so, start by cutting a « V » shape notch using sheet metal scissors as shown on figure 15A. Use plyers to bend a part of the lip of the adapter towards the exterior as shown by the arrow on figure 15A. If you have difficulties when fixing the round adapter, you must open the lip all around to facilitate the installation.

**Note:** It is possible to have another type of adapter (see figure 15B). This adapter does not require any preparation.

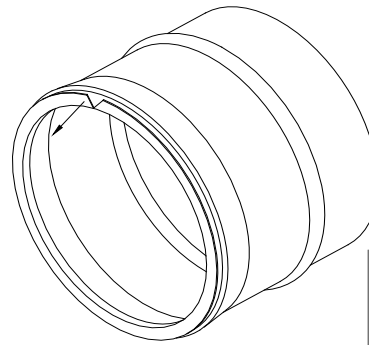


FIGURE 15A

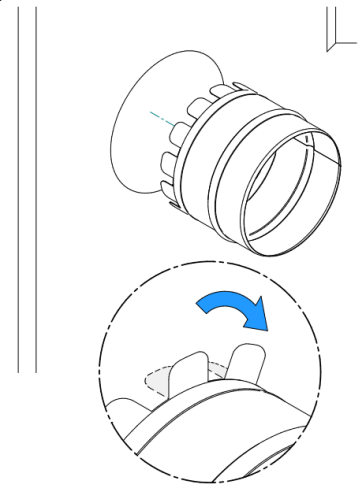


FIGURE 15B

Step 16 :

With the adapter from figure 15A: Screw the fresh air intake adapter to the fresh air adapter box. It is important to align the « V » shape notch of the adapter to the encoche of the fresh air intake adapter box.

With the adapter from figure 15B: Install the fresh air inlet adapter onto the fresh air inlet box. To secure the adapter in place, bend the fins as shown in Figure 15B.

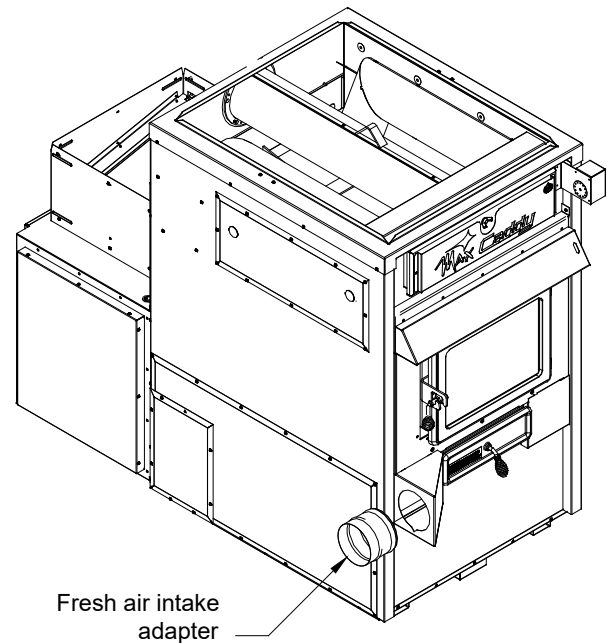


FIGURE 16

Step 17 : Screw the ash lip to the fresh air intake adapter using the 3 screws supplied as shown on figure 17.

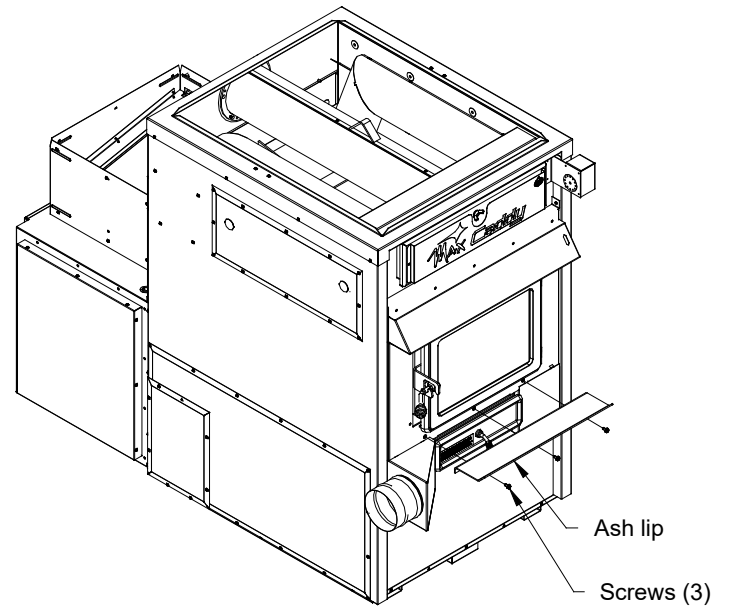


FIGURE 17