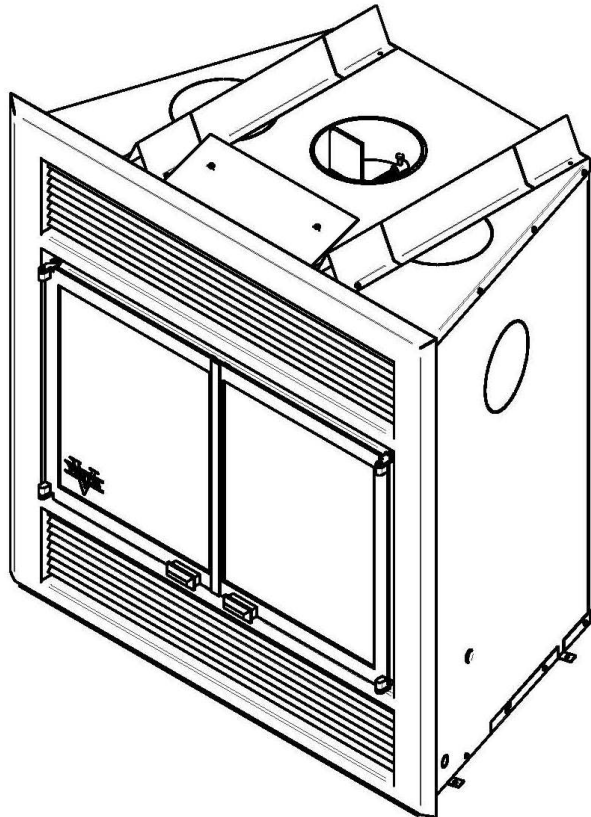




# INSTALLATION AND OPERATION MANUAL

## ME150



Safety tested according to ULC-S610  
and UL 127 Standards by  
an accredited laboratory

**E.P.A. Standards Exempt**

[www.occanada.com](http://www.occanada.com)

Manufactured by:

**Stove Builder International Inc.**

250 rue Copenhague, Saint-Augustin-de-Desmaures (Quebec), Canada, G3A 2H3

After-sale service: 418-908-8002 E-mail: [tech@sbi-international.com](mailto:tech@sbi-international.com)

**READ AND KEEP THIS MANUAL FOR REFERENCE**



*This manual is available for free download on the manufacturer's web site. It is a copyrighted document. Re-sale is strictly prohibited. The manufacturer may update this manual from time to time and cannot be responsible for problems, injuries, or damages arising out of the use of information contained in any manual obtained from unauthorized sources.*



## THANK YOU FOR CHOOSING THIS VENTIS FIREPLACE

As one of North America's largest and most respected wood stove and fireplace manufacturers, Stove Builder International takes pride in the quality and performance of all its products. We want to help you get maximum satisfaction as you use this product.

In the pages that follow you will find general advice on wood heating, detailed instructions for safe and effective installation, and guidance on how to get the best performance from this fireplace as you build and maintain fires, and maintain your wood heating system.

We recommend that our woodburning hearth products be installed and serviced by professionals who are certified in the United States by NFI (National Fireplace Institute®) or in Canada by WETT (Wood Energy Technical Training) or in Quebec by APC (Association des Professionnels du Chauffage).

Congratulations on making a wise purchase.

**Read this entire manual before you install and use your new fireplace. It is important that you follow the installations guidelines exactly. Failure to install this fireplace correctly could result in a house fire, bodily injury or even death.**

**You may need to obtain a building permit for the installation of this fireplace and the chimney that it is connected to. Consult your municipal building or fire department about installation requirements in your area. We recommend that you also inform your home insurance company to find out if the installation will affect your policy.**

**PLEASE NOTE THAT THE PICTURES SHOWN IN THIS MANUAL ARE GENERIC AND MAY NOT MATCH EXACTLY THE LOOK OF YOUR FIREPLACE.**

### **WARNING**

**THE INFORMATION GIVEN ON THE CERTIFICATION LABEL AFFIXED TO THE APPLIANCE ALWAYS OVERRIDES THE INFORMATION PUBLISHED, IN ANY OTHER MEDIA (OWNER'S MANUAL, CATALOGUES, FLYERS, MAGAZINES AND/OR WEB SITES).**

**CAUTION: DO NOT ATTEMPT TO MODIFY OR ALTER THE CONSTRUCTION OF THE FIREPLACE OR ITS COMPONENTS. ANY MODIFICATION OR ALTERATION OF CONSTRUCTION MAY VOID THE WARRANTY, LISTINGS AND APPROVALS OF THIS SYSTEM. IN THAT CASE, STOVE BUILDER INTERNATIONAL (SBI) WILL NOT BE RESPONSIBLE FOR DAMAGES. INSTALL THE FIREPLACE ONLY AS DESCRIBED IN THESE INSTRUCTIONS.**

**DO NOT INSTALL A FIREPLACE INSERT INSIDE THIS FIREPLACE.**

**DO NOT INSTALL INSIDE A MASONRY CHIMNEY.**

## Table of contents

1	INTRODUCTION.....	5
1.1	ME150 Wood Fireplace Specifications .....	5
1.2	Views with measurements.....	6
2	INSTALLATION.....	7
2.1	Fireplace Installation.....	8
3	VENTING SYSTEM.....	11
3.1	General Information .....	11
3.2	Suitable Chimney .....	11
3.3	Chimney Installation Notes.....	12
3.4	Chimney Installation Instructions .....	14
3.5	Offset Chimney Installation .....	18
3.6	Angled Wall Radiation Shield .....	19
3.7	Chimney Support Installation.....	19
4	FIREPLACE FINISH.....	20
1.1	Fireplace Facing .....	23
5	USE AND SAFETY .....	24
5.1	Manufactured Logs.....	25
5.2	Creosote .....	25
5.3	Chimney Fire Safety Procedures .....	25
6	MAINTENANCE.....	26
6.1	Replacing Glass .....	26
6.2	Replacing Firestone in a ME150 Fireplace.....	26
7	TROUBLESHOOTING.....	28
7.1	Exploded view for replacement parts .....	29
7.2	Parts list.....	30
	VENTIS LIMITED LIFETIME WARRANTY.....	31

### **REGISTER YOUR WARRANTY ONLINE**

To receive full warranty coverage, you will need to show evidence of the date you purchased your unit.

Keep your sales invoice. We also recommend that you register your warranty online at

<http://www.occanada.com/en/service-support/warranty-registration>

Registering your warranty online will help us track rapidly the information we need on your unit.

# 1 INTRODUCTION

This manual contains all the information required for safe, efficient installation and use of your Ventis fireplace. Read carefully all the instructions contained herein and keep this manual handy so you may refer to it whenever necessary.

Before starting to install the fireplace, consult local authorities to obtain a construction permit and learn about all applicable regulatory requirements.

**DO NOT INSTALL THIS FIREPLACE IN A MOBILE HOME.**

## 1.1 ME150 Wood Fireplace Specifications

Fuel Type	Dry cordwood
Test Standards (safety)	ULC-S610 and UL 127
Test Standard (emissions)	E.P.A. Standards Exempt
Recommended Heating Area	< 1,000 pi <sup>2</sup> (< 93 m <sup>2</sup> )
Minimum burn rate	> 5 kg/h (> 11 lb/h)
Shipping Weight	466 lb (211 kg)
Firebox Volume	3.0 pi. cu. (0.085 m <sup>3</sup> )
Maximum Log Length	16" east-west
Flue Outlet Diameter	7" (178 mm) diameter (vertical)
Mobile home approved	No

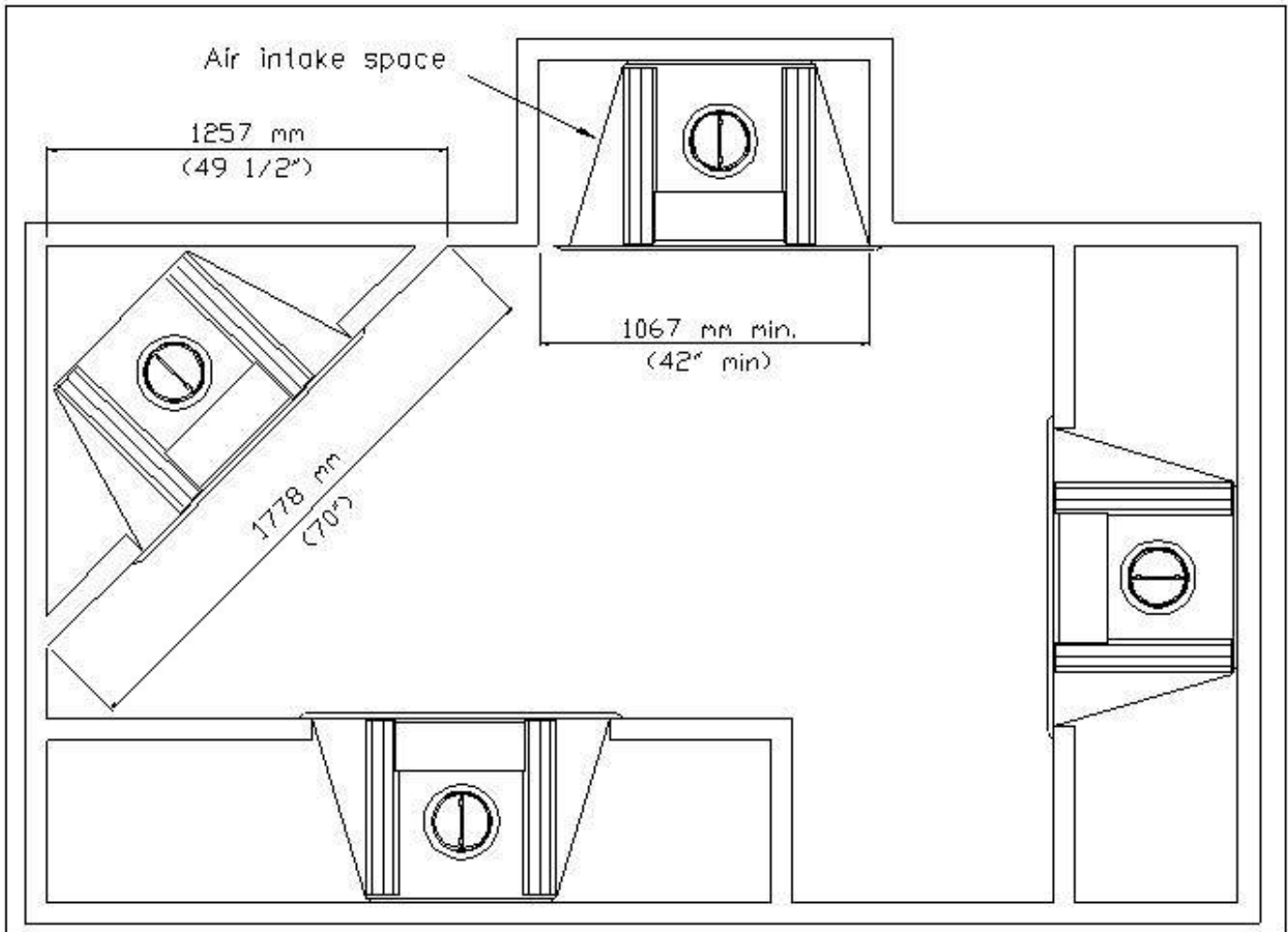


## 2 INSTALLATION

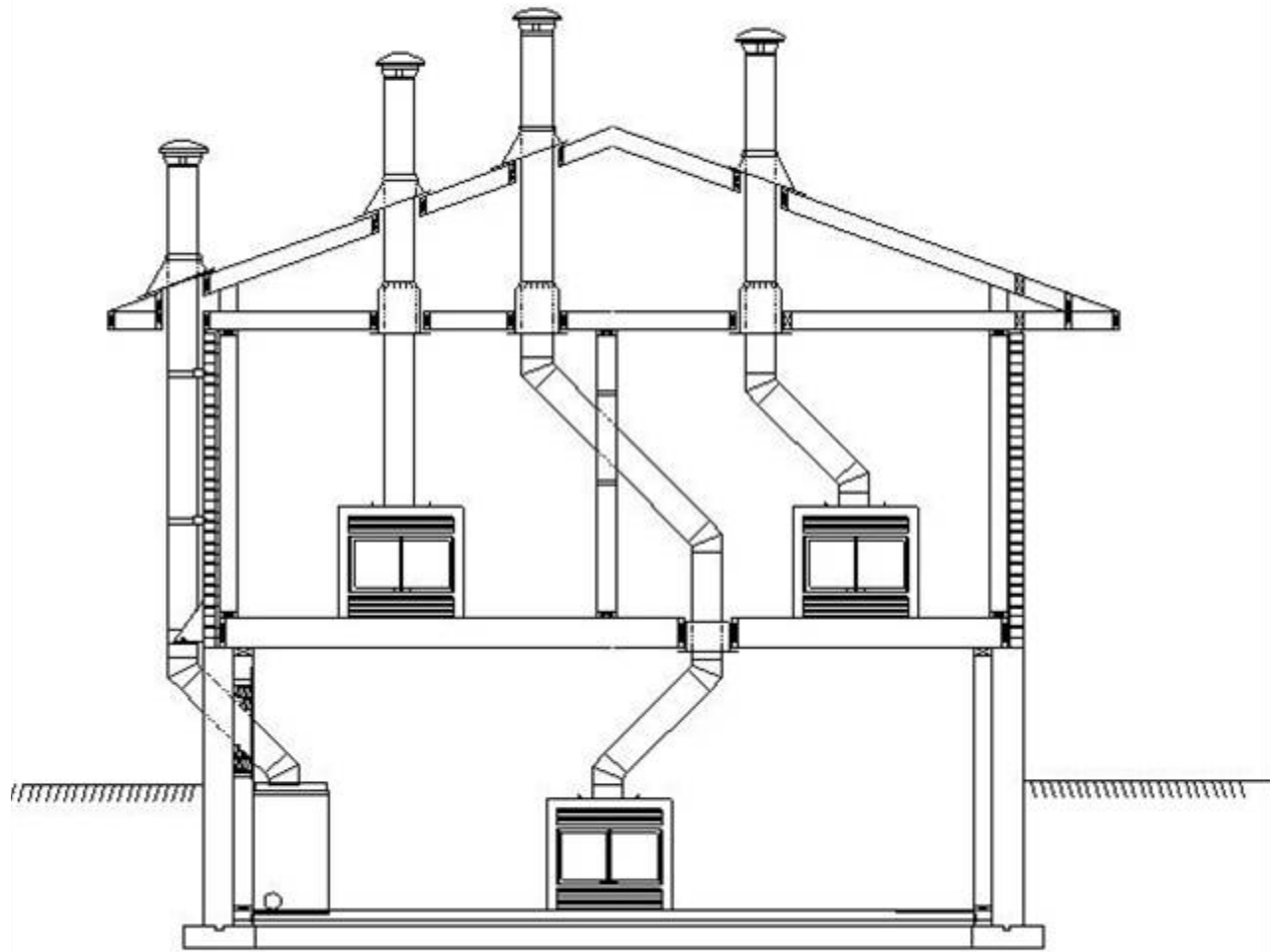
This fireplace is designed and approved for installation with the brand of chimney mentioned in TABLE 1 with a minimum of 15' (4.6 m) and maximum of 45' (13.5 m) in height.

No other device must be added to the chimney connected to the fireplace.

Choose the best location for your fireplace based on the position of the doors and windows. Provide for the positioning of the outside air inlet as well as the chimney. Remember to leave sufficient space for the hearth extension and mantel. If possible, install the fireplace where it will not be necessary to cut any floor or ceiling joists.



As for the chimney's configuration, there are several possibilities. See Figure below to determine the appropriate configuration for your home. The straighter the chimney, the easier it will be to clean and maintain.



## 2.1 Fireplace Installation

1. Before beginning installation, remove the fireplace trim to protect it from damage. The fastening screws are located behind the upper and lower louvers. Make sure no masonry products or acids come into contact with the trim as these may discolor the finish which is not under warranty.
2. Remove all combustible floor coverings, e.g. carpeting, linoleum, etc., from the area where the fireplace is to be installed and make sure the surface is leveled.
3. The fireplace can be installed directly on the floor or on a platform made of combustible materials, such as wood or plywood or any other hard, sturdy surface.
4. A 48" x 16" (1219 mm x 406 mm) minimum hearth extension made of non-combustible material is required. The extension can be installed below the base of the fireplace or flush mounted.
5. To prevent any burning embers falling between the fireplace and the hearth extension from coming into contact with the floor, insert a metal sheet under the front of the fireplace. This sheet must extend 4" (102 mm) on both sides of the fireplace and 2" (51 mm) in front. The non-combustible hearth extension should rest on the 2" (51 mm) band of sheet metal in front. You can also prevent embers from falling in the joint between the fireplace and the hearth extension by filling it with mortar grout.
6. To anchor the fireplace to the floor, unfold the lower metal attachments and screw them to the floor using 1" (25 mm) screws.

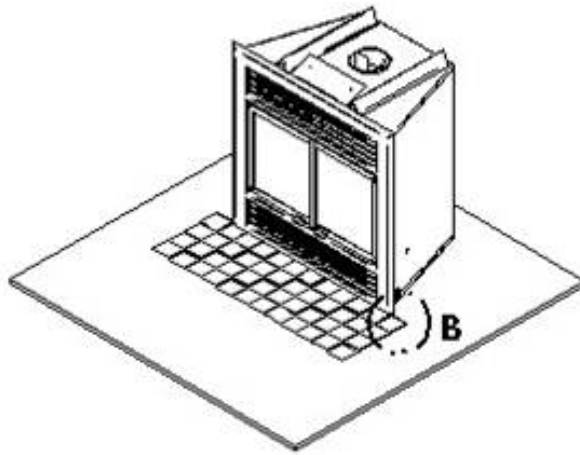


7. The opening must be at least 24" (610 mm) away from any wall at a right angle with the appliance's face (see figure in **section 4: Fireplace Finish**).
8. Place the appliance in the desired location. It must directly abut against the finished wall and not insulation or a vapor barrier. **Do not add any insulation.**
9. The standards in your area may require an outside air inlet. Even if such is not the case, it is beneficial to do so since this will improve the fireplace's performance. Install a flexible air duct that is 4" (102mm) in diameter and a maximum length of 20' (6.1 m). If a longer duct is required, increase diameter to 6" (152 mm) but maximum length will then be 40' (12.2 m). The outside air intake must not come from a garage, carport, basement, attic or the chimney's enclosure.
10. Install the outside air inlet in a place where it is unlikely to become blocked by snow and is sheltered from high winds. Make sure it is far from the gas meter or any other device that may emit fumes or gases, such as automobile exhaust.
11. Once you have decided on the location of the outside air inlet, drill a 4¼" (108 mm) hole in the wall. Insert the inlet grill in the hole from the outside and screw it to the wall with four 1" (25 mm) screws.
12. From the inside, insert the insulated flexible duct and attach it to the inlet grill with aluminum duct tape or 3/4" (19 mm) metal screws.
13. On the lower left side of the fireplace, remove the metal piece blocking the air intake. Cut the insulating wool, insert the adaptor included with the fireplace and screw it in place using two 3/4" (19 mm) metal screws. Using an adjustable collar or aluminum duct tape, attach the flexible duct to the adaptor.

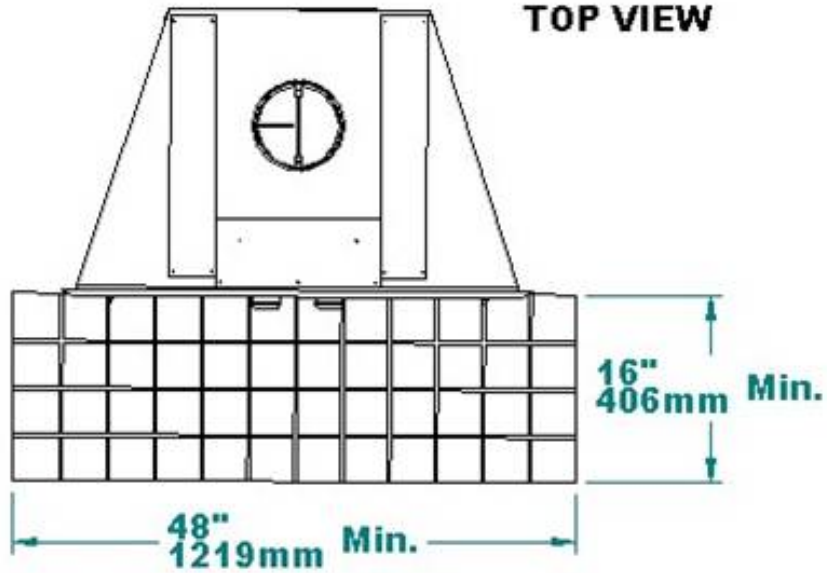
You can also install a decorative gas appliance in the hearth. To do this, install an automatic shut-off valve. Comply with ANSI Z223.60 standards governing "Decorative Gas Appliances" in vented fireplaces and ANSI Z233.1 with regards to the National Gas Code as well as the Natural gas and propane installation code (CAN/CGA B149.1) or Propane Installation Code (CAN/CGA B149.2).

**ATTENTION: ALWAYS OPEN THE CHIMNEY DAMPER TO ITS MAXIMUM POSITION WHEN USING A DECORATIVE GAS APPLIANCE AND MAKE SURE IT REMAINS IN AN OPEN POSITION.**

**THIS FIREPLACE HAS NOT BEEN TESTED WITH AN UNVENTED GAS LOG APPLIANCE. TO REDUCE THE RISK OF FIRE OR INJURY, DO NOT INSTALL A GAS LOG APPLIANCE WITHOUT A VENT PIPE.**

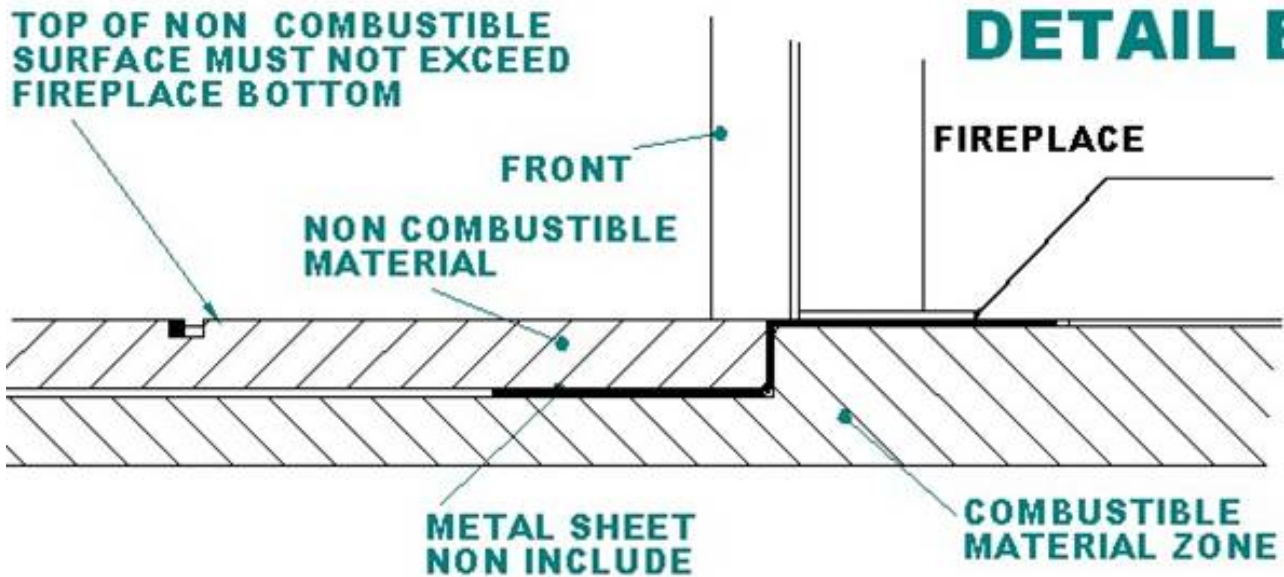


**TOP VIEW**



**TOP OF NON COMBUSTIBLE SURFACE MUST NOT EXCEED FIREPLACE BOTTOM**

**DETAIL B**



## 3 VENTING SYSTEM

### 3.1 General Information

The venting system is the engine that drives your wood heating system. Even the best fireplace will not function safely and efficiently as intended if not connected to a suitable chimney. The heat in the flue gases that pass from the fireplace to the chimney is not wasted heat. This heat is what the chimney uses to make the draft that draws in combustion air and keeps the combustion gases within the fireplace. You can think of heat in the flue gas as the fuel the chimney uses to make draft.

### 3.2 Suitable Chimney

This wood fireplace may be connected to a factory-built metal chimney. To be suitable, a factory-built metal chimney must comply with UL 103HT (U.S.A.), ULC S629 (Canada), ULC S604 (Canada). Factory-built chimneys are tested as a system with all the necessary components for installation. The instructions provided with the chimney by its manufacturer are the only reliable source of installation guidelines. To be safe and effective, the chimney must be installed exactly in accordance with the manufacturer's instructions. **Use only components intended for the brand and model of chimney you are using. Never substitute parts from other chimney brands or build your own components.**

**This wood fireplace is to be connected to a chimney with a 7" diameter flue passage.**

**TABLE 1 - LISTED CHIMNEYS FOR YOUR ME150 WOOD FIREPLACE**

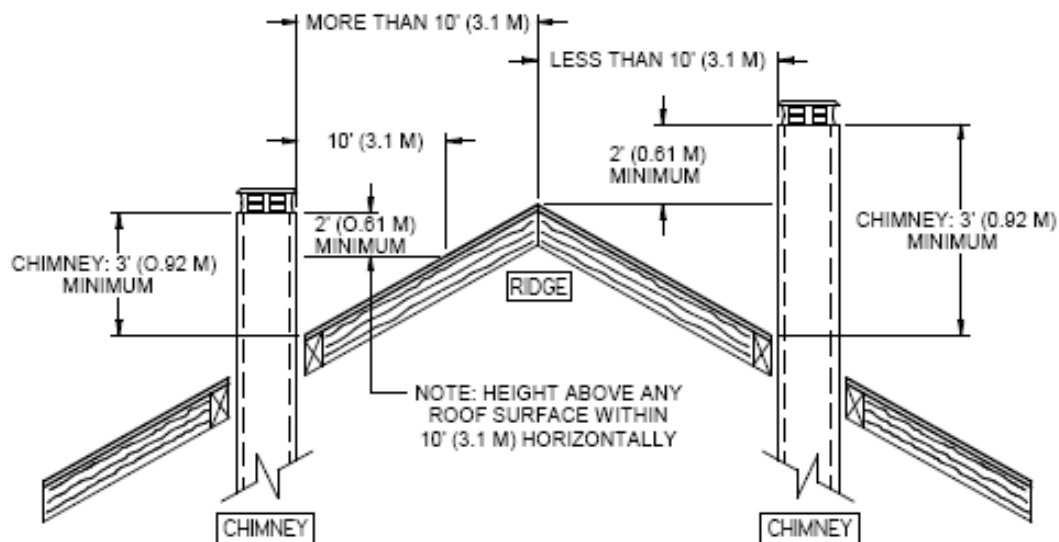
CHIMNEY MANUFACTURER	BRAND	TYPE	INNER DIAMETER
Olympia Chimney/ SBI Venting Division	Ventis	1" Solid Pack	7" (178 mm)
SBI Venting Division	Nexvent	1" Solid Pack	7" (178 mm)
Olympia Chimney	Champion Chimney System	1" Solid Pack	7" (178 mm)
Olympia Chimney	Rockford Chimney Systems	1" Solid Pack	7" (178 mm)
DuraVent	DuraTech	1" Solid Pack	7" (178 mm)
DuraVent	DuraTech Canada (DTC)	1" Solid Pack	7" (178 mm)
DuraVent	DuraPlus HTC	2" Solid Pack	7" (178 mm)
DuraVent	DuraTech Premium	2" Solid Pack	7" (178 mm)
DuraVent	DuraPlus	AC Triple Wall	7" (178 mm)

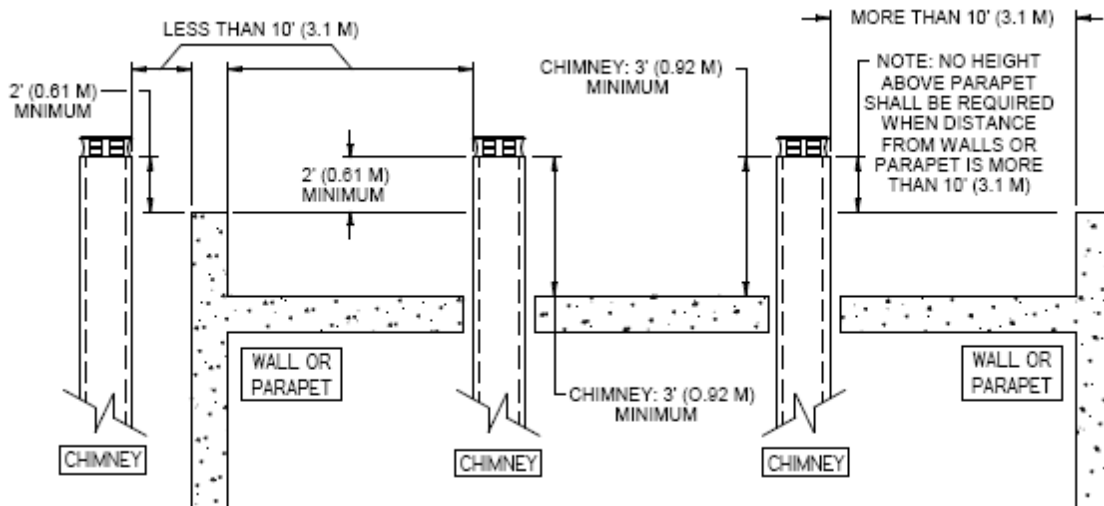
**WARNING: THE CHIMNEY MUST START WITH A 7" DIAMETER ANCHOR PLATE SECURED TO THE FIREPLACE.**

**CAUTION: IF THE FLUE OUTLET IS CUT ONLY AROUND THE HOOKS, MAKE SURE THAT THE FLUE DAMPER MECHANISM WORKS PROPERLY BEFORE CLOSING THE WALLS.**

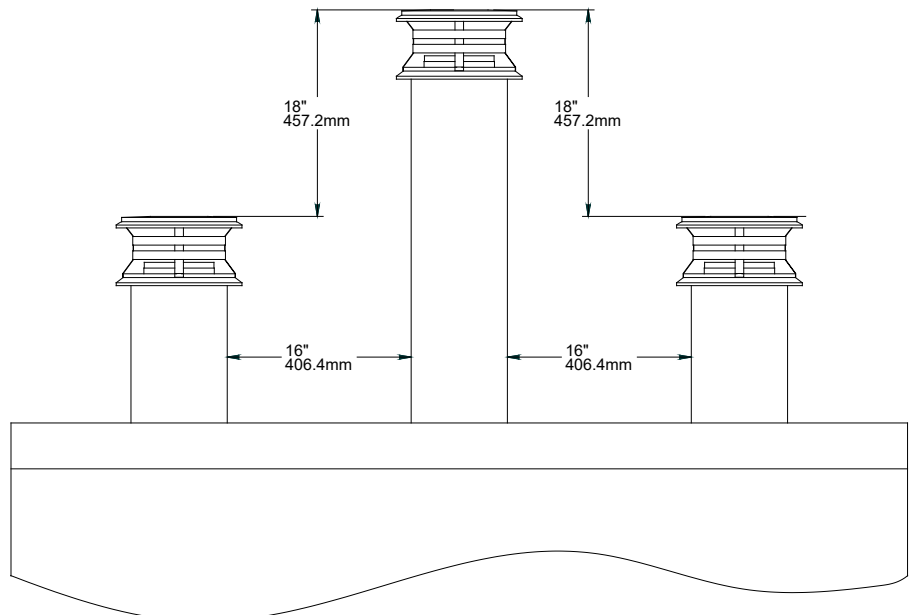
### 3.3 Chimney Installation Notes

1. If possible, install an interior chimney as it will provide better performance. In areas with continuous temperatures below  $-18^{\circ}\text{C}$  ( $0^{\circ}\text{F}$ ), the use of an exterior chimney increases the likelihood of operating problems such as low draft, high rate of creosoting, and poor start-up characteristics. Exterior chimneys are also prone to down-drafting and flow reversal. Installations, which are located on lower floors in the house, such as in a basement, in combination with outside chimney, are especially prone to flow reversal.
2. The ME150 is listed only with chimney systems described in table 1.
3. A chimney venting a fireplace shall not vent any other appliance.
4. The minimum chimney system height for a straight installation is 15 ft. (4,5 m).
5. All chimney installations must include at least one support. Reducing the amount of chimney weight on the fireplace will help avoid the noise created when the fireplace expands. This can be achieved by having the chimney supported by the supports. The maximum chimney length that should be supported by the fireplace is 12 ft. (3.7 m) for 1" Solid Pack Chimney.
6. The chimney must extend at least 3 ft. (91 cm) above its point of contact with the roof and at least 2 ft. (61 cm) higher than any wall, roof or building within 10 ft. (3.0 m) of it. See figures bellow to determine the configuration that applies to your roof (flat or sloped roof and the distance between the chimney and the highest point of the roof and/or the nearest chimney).





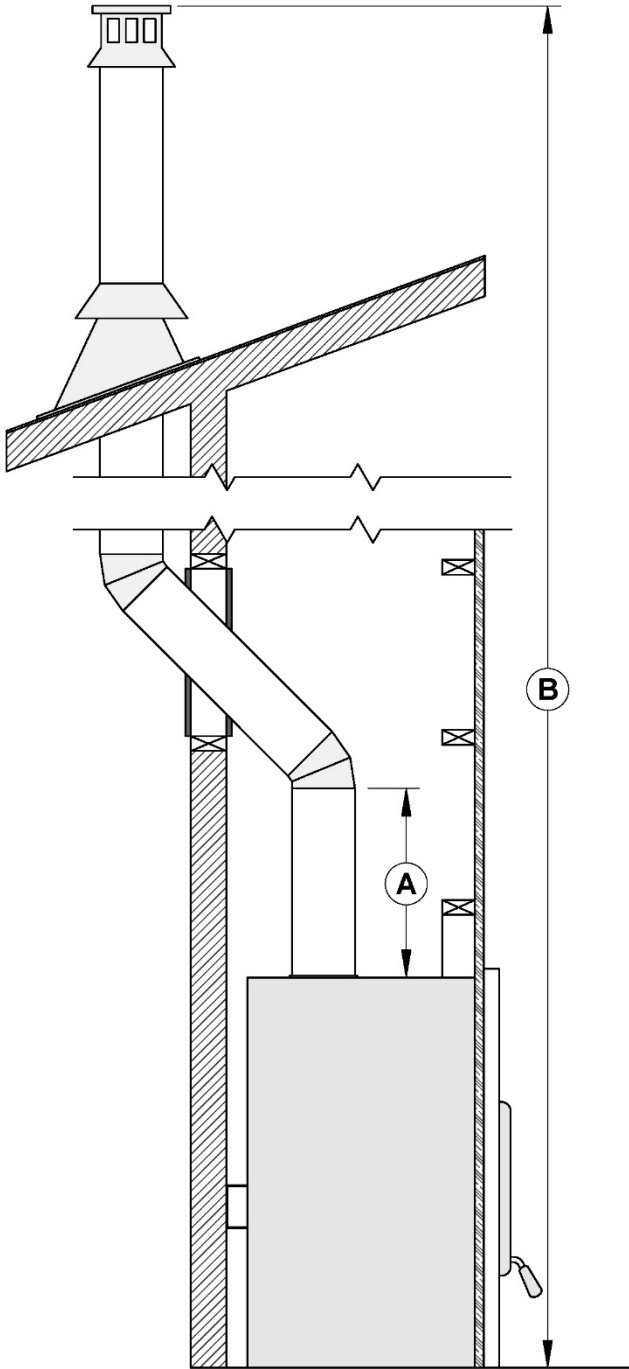
7. Deviations should be avoided whenever possible, especially the most pronounced. Each deviation adds some restriction to the chimney system and may lead to draft problems. Offsets of 30 degrees are allowed in the United-States and up to 45 degrees in Canada.
8. If the chimney extends higher than 5 ft. (1.5 m) above its point of contact with the roof, it must be secured using a roof brace.
9. A rain cap must be installed on top of the chimney. Failure to install a rain cap may cause corrosion problems.
10. Cut and frame square holes in all floors, ceilings, and roof that the chimney will go through to provide a 2" (51 mm) minimum clearance between the chimney and any combustible materials. Do not fill this 2" space with insulation or any other combustible material.
11. Portions of the chimney which may extend through accessible spaces up to the ceiling must be enclosed to avoid contact with combustible materials or damage the chimney.
12. For installations where more than one chimney is located in the same non-chase or within the same area, we suggest that their terminations be separated by at least 16" (410 mm) horizontally, and 18" (457 mm) vertically. This separation is to prevent smoke migrating from one chimney to another.



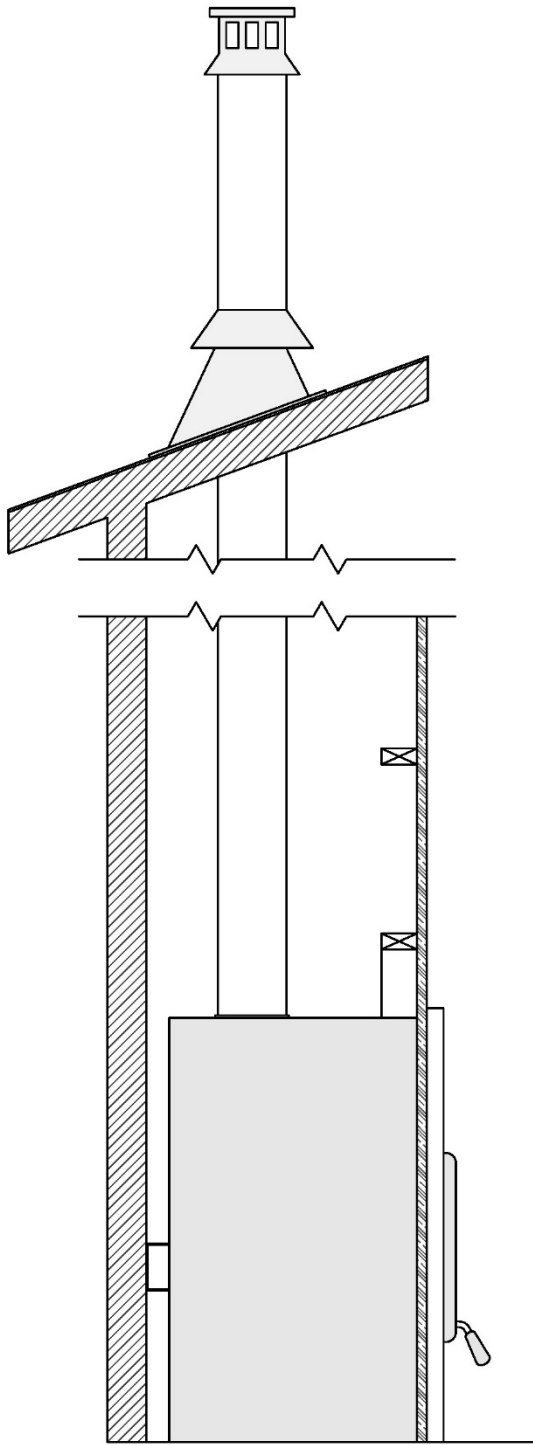
### 3.4 Chimney Installation Instructions

Always refer to the chimney manufacturer's Installation manual to ensure a safe installation. Some non-illustrated parts may be required.

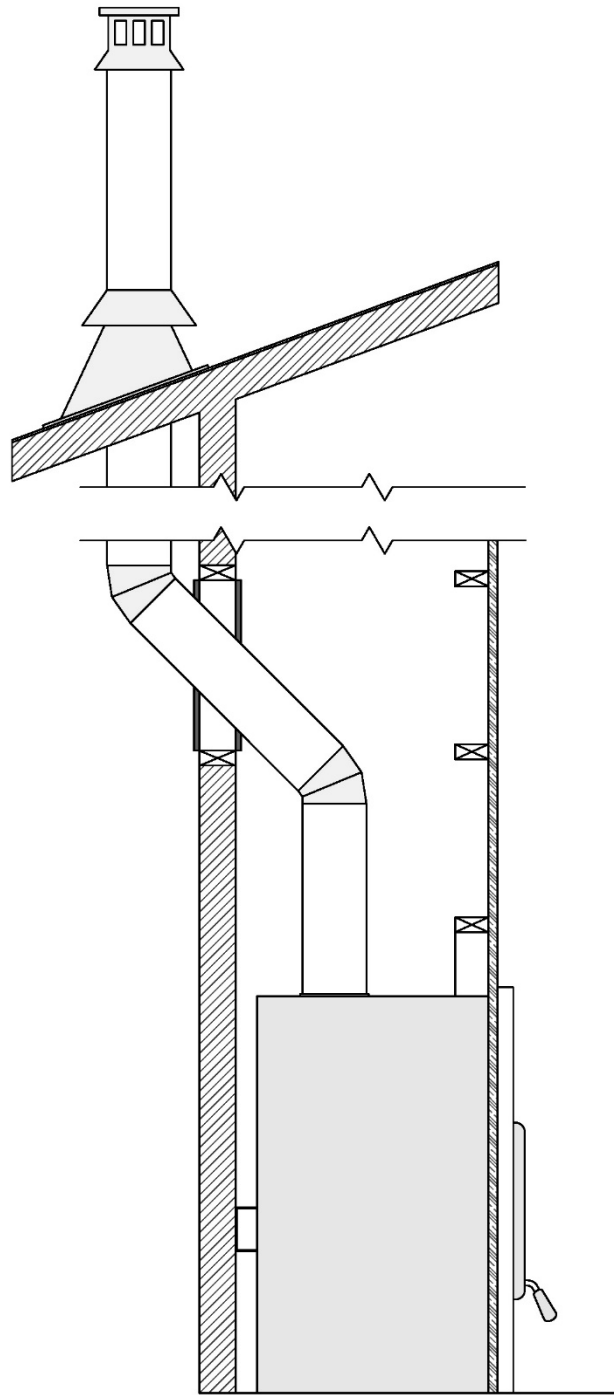
#### Examples of Typical Chimney Installation



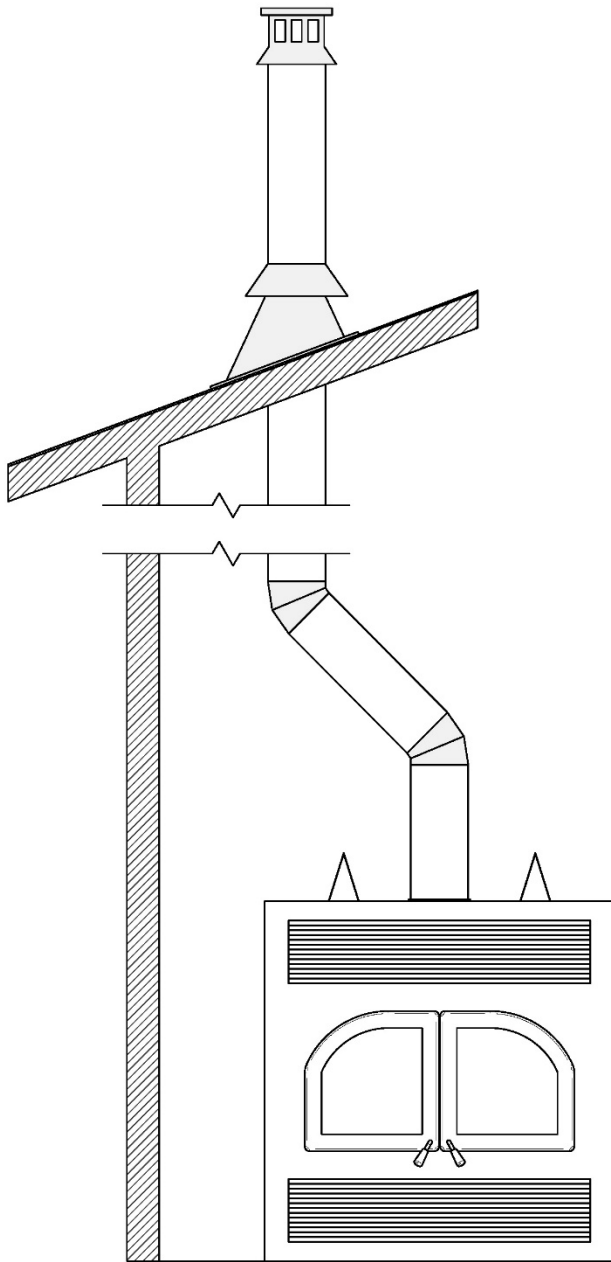
<b>A</b>	To insure a good draft, it is recommended to have a length of 18 inches from the top of the unit to the first offset. However, starting using a 30° or 45° elbow is also approved.
<b>B</b>	Mandatory measure of 15 ft. from the bottom of the fireplace to the top of the outside chimney.



**Direct installation**



**Exterior offset installation**

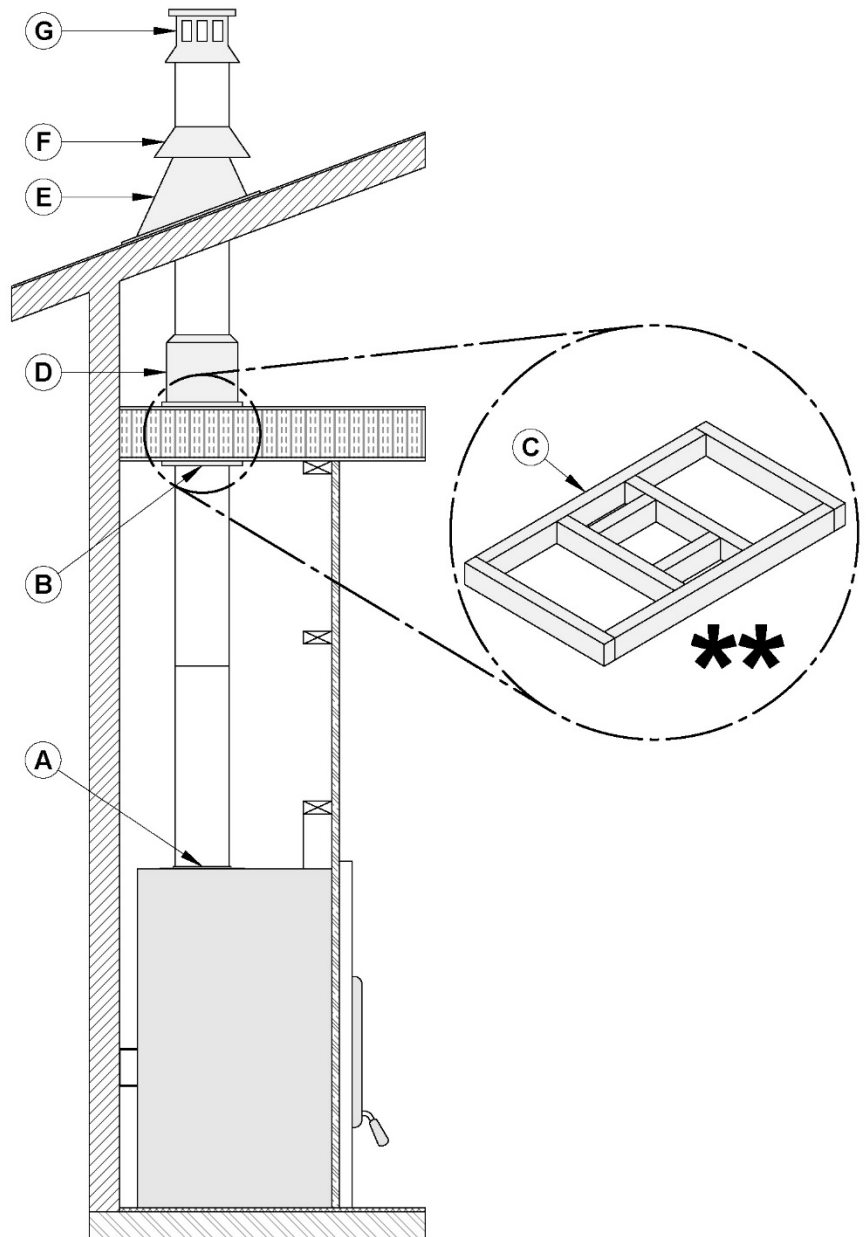


### Interior offset installation

1. Cut and frame the holes in the ceiling, floor and roof where the chimney will pass. Use a plumb bob to line up the center of the holes. Make sure that the size of the floor and ceiling holes are in accordance with the chimney manufacturer's instructions.
2. From below, install a firestop (B) supplied by the chimney manufacturer in each ceiling/floor separation through which the chimney will pass. At the attic level, install a radiation shield from above (D).
3. Follow the chimney's manufacturers' instructions and place the first chimney length on the fireplace. You must use an anchor plate (A) supplied by the chimney manufacturer before installing the first chimney length. Continue installing chimney lengths making sure to secure each length in place with 3 screws.
4. Every time the chimney passes through a ceiling or a wall, install the appropriate firestop. When you reach the desired height, install the roof support (not illustrated). (Refer to instructions included with the support).



5. Then, put the roof flashing (E) in place and seal the joint between the roof and the flashing with roofing pitch. For sloping roofs, place the flashing under the upper shingles and on top of the lower shingles. Nail the flashing to the roof, using roofing nails.
6. Place the storm collar (F) over the flashing, and tighten it with the bolt supplied. Finally, seal the joint between the storm collar and the chimney, using silicone caulking.
7. Install the chimney cap (G).
8. When a ventilated roof flashing is installed, precautions are to be taken not to caulk or seal the ventilating openings.



**\*\* THE STRUCTURAL INTEGRITY OF THE FLOOR, WALL, AND CEILING/ROOF MUST BE MAINTAINED**  
**NOTE: THE FLOOR AND WALLS BELOW THE ATTIC MUST BE INSULATED USING THE SAME INSULATION.**

### 3.5 Offset Chimney Installation

TABLE 2 – THE MINIMUM SYSTEM HEIGHT WHEN USING ELBOWS

Fireplace model	ME150 WOOD FIREPLACE
Chimney model	Olympia Chimney
Vertical installation	15 ft. (4.5 m)
Two (2) elbows	15 ft. (4.5 m)
Four (4) elbows	17 ft. (5.2 m)

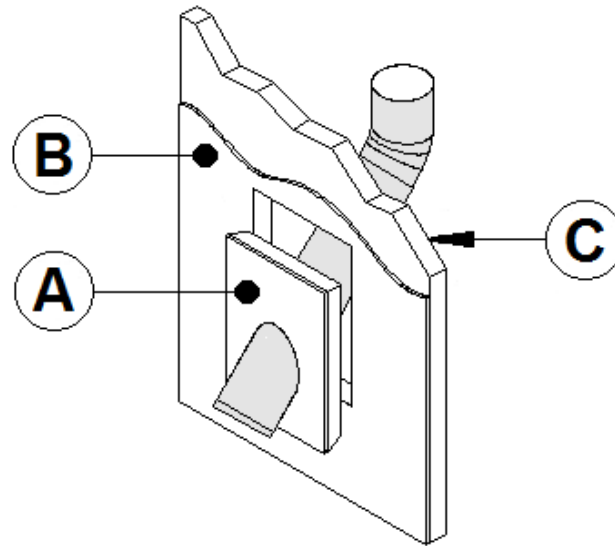
After reaching the location requiring the elbow, proceed as follows:

1. To insure a good draft, it is recommended, but non-mandatory, to have a length of 18 inches (457 mm) from the top of the unit to the first offset. Install the first elbow; turn it in the required direction. Secure it to the chimney according to the chimney manufacturer's instructions. In many cases, it is recommended to secure connections with three (3) ½" (13 mm) metal screws.
2. Install the necessary chimney lengths to achieve the required offset. Lock the chimney lengths together according to the chimney manufacturer's instructions. It is recommended to use three (3) ½" (13 mm) metal screws. If the offset length is made of two (2) chimney lengths or more, Olympia Chimney require that you use an offset or roof support halfway up the offset. If penetrating a wall, install a wall radiation shield supplied by the chimney manufacturer (see **Section 4.4.1: Examples of Typical Chimney Installation**).
3. Use another elbow to turn the chimney vertically. Secure the elbow.
4. Use a plumb bob to line up the centre of the hole. Cut a hole for the chimney in the ceiling/floor. Frame this hole as described previously.
5. From below, install a firestop supplied by the chimney manufacturer.
6. A support must be used on the first 15' section (4.6 m).
7. Continue with the regular installation.

### 3.6 Angled Wall Radiation Shield

When passing through a combustible wall with the chimney at a 30° or 45° angle (30° or 45° in Canada and 30° only in the USA), an angled firestop or wall radiation shield provided by the chimney manufacturer must be installed. Only one is required. Follow the chimney manufacturer's installation instructions.

In cold climate locations, it is recommended that you use the insulated wall radiation shield since it will maintain the home's thermal barrier.



A	INSULATED WALL RADIATION SHIELD
B	GYPSUM BOARD
C	INSULATED WALL

### 3.7 Chimney Support Installation

#### Universal Roof Support

This support has three possible uses:

1. It must be used on a roof to support the chimney.
2. It may be used on a floor, ceiling or roof above an offset to support the chimney above the offset.
3. It may be used on a floor, ceiling or roof as a supplementary support.

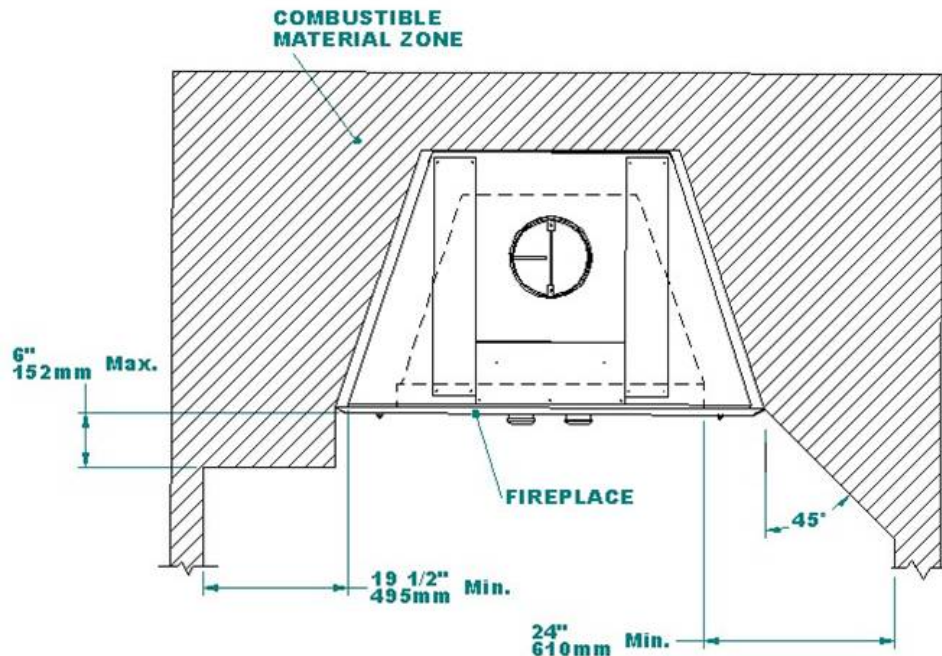
For roof support installation, refer to the instructions provided with the support by Olympia Chimney who provide the maximum height of chimney that can be supported by the support. Make sure you respect those parameters.

#### Universal Offset Support

This support is used to support the chimney above an offset. When the chimney offset is used to pass through a wall, this support may be used on the wall to support the chimney. For offset support installation, refer to the instructions provided with the support by Olympia Chimney who provide the maximum height of chimney that can be supported by the support. Make sure you respect those parameters.

## 4 FIREPLACE FINISH

1. Combustible materials can be used to finish the fireplace. The framing can be built directly on the sides of the appliance.
2. Side walls can exceed the appliance's face by a maximum of 6" (152 mm).
3. Adjoining walls may also be built at a 45° angle from the edge of the face. However, any right angle wall must be located at least 24" (610 mm) away from the fireplace opening.

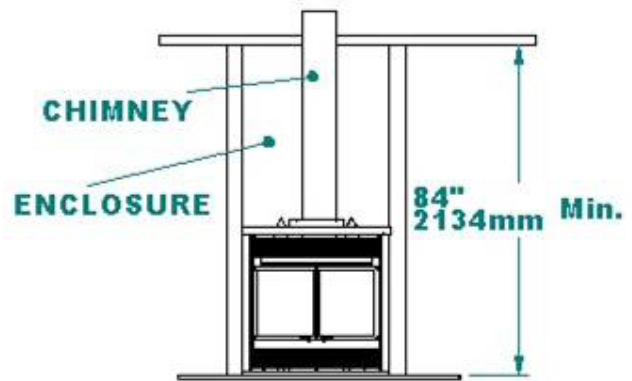
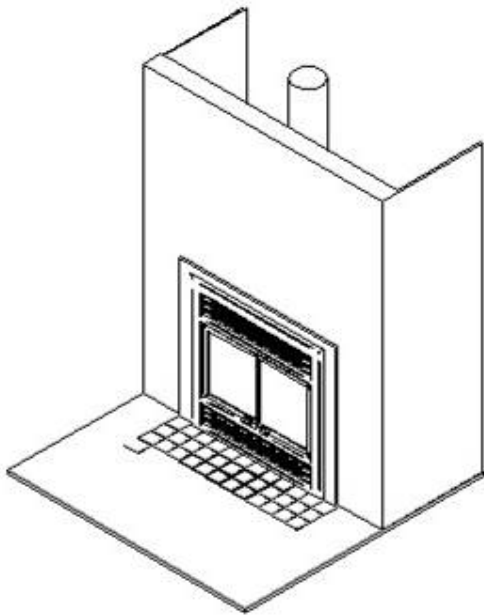


4. Combustible framing can cover the sides or the back of the appliance but not its face. (See figure in **Section 4.1: Fireplace Facing**)
5. To enclose the top of the finish, it must reach at least 84" (213 cm) in height from the base of the fireplace. **Do not insert insulation in the chimney enclosure.**
6. In Canada, it is possible to enclose the top and sides of the appliance but a minimum clearance of 2" (51 mm) must be provided around the chimney.

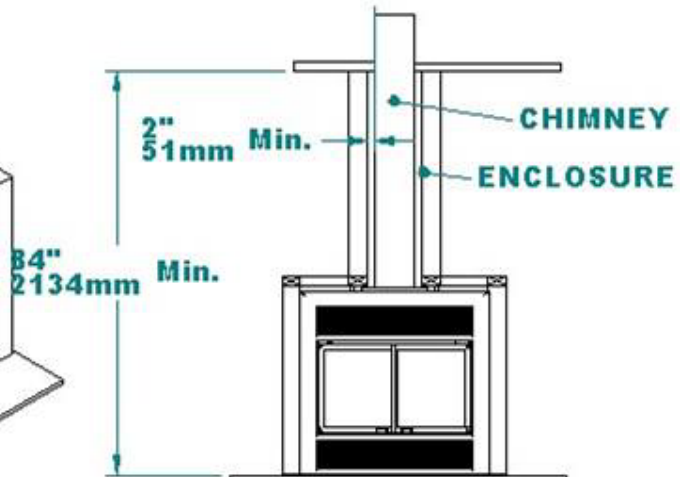
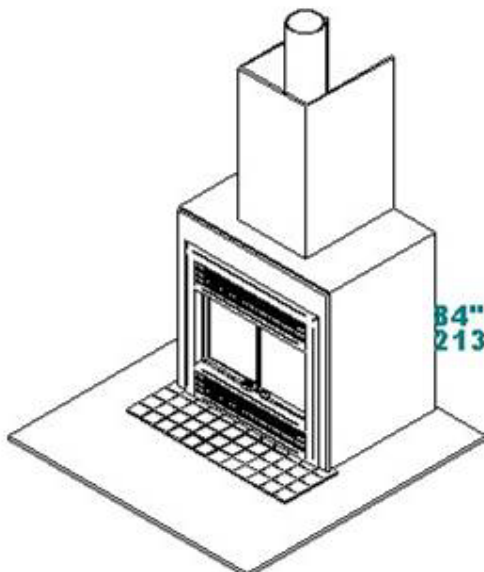
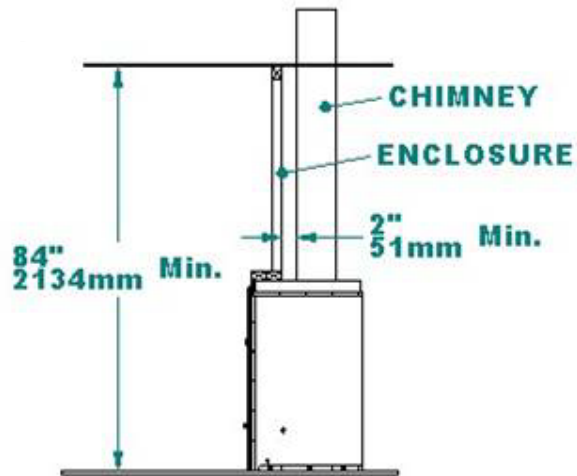
### **IN THE U.S., IT IS NOT PERMITTED TO ENCLOSE THE TOP OF FIREPLACE APPLIANCES.**

7. If the mantel is made of combustible materials, it must be installed at a height of at least 48" (1219 mm) from the base of the fireplace.
8. The fireplace's facing must be made of non-combustible materials only.

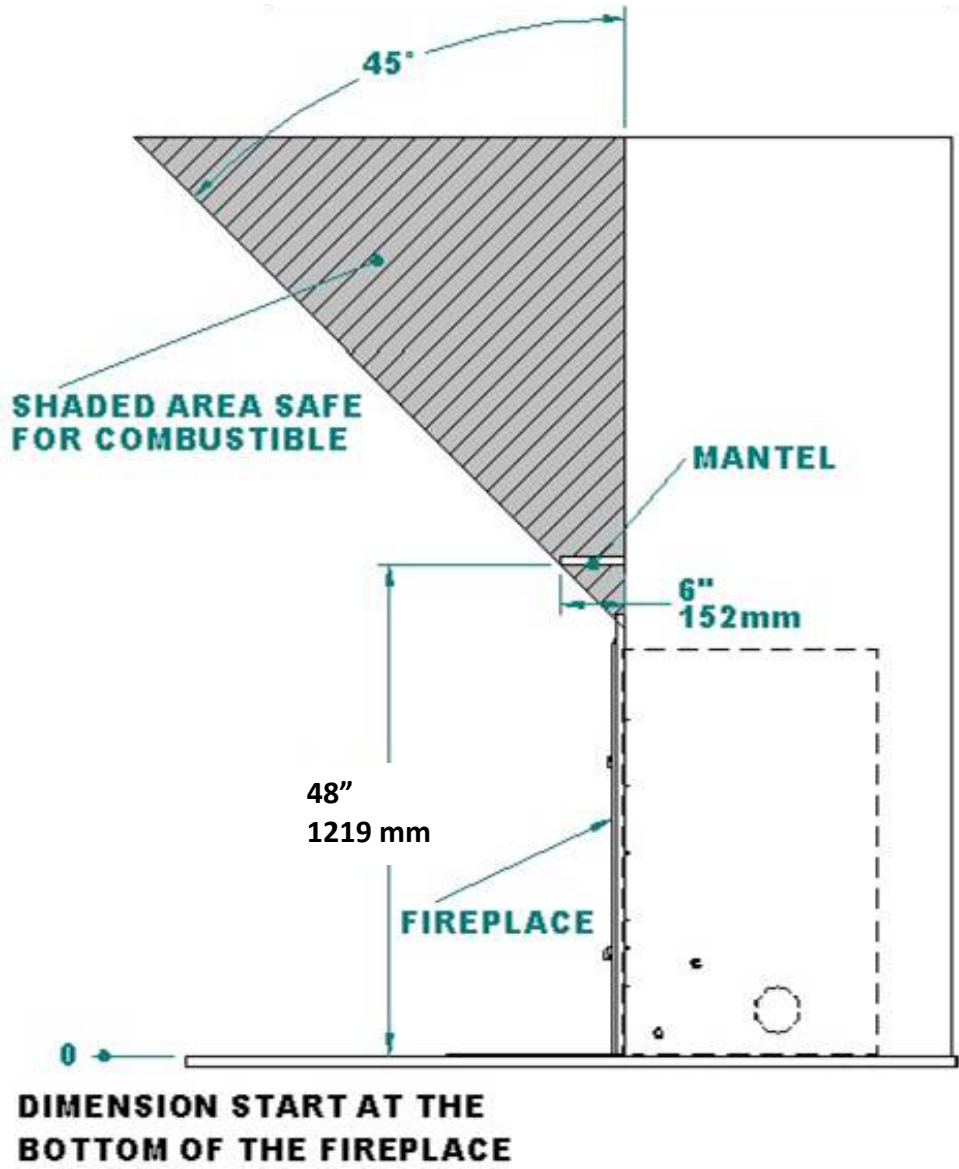
### Chimney Enclosure Canada and U.S.



### Chimney Enclosure Canada only.



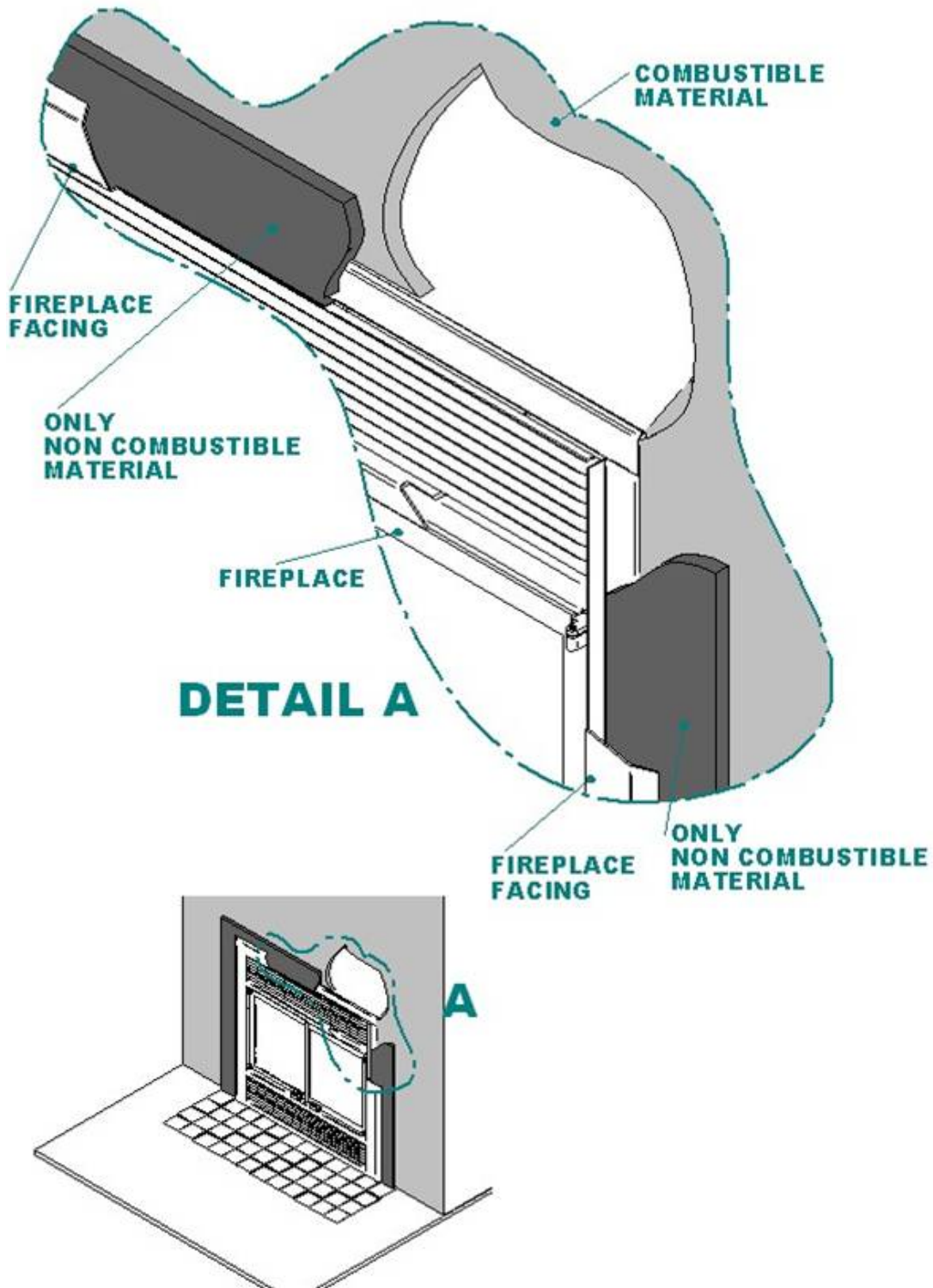
MANTEL POSITION	
MANTEL LENGHT	Min. DISTANCE FROM FIREPLACE BOTTOM
6" / 152 mm	48" / 1219 mm
8" / 203 mm	50" / 1270 mm
10" / 254 mm	52" / 1321 mm
12" / 305 mm	54" / 1372 mm



## 1.1 Fireplace Facing

1. Remove the decorative trim.
2. Install the non-combustible facing material (marble, ceramic tile, Durock, brick, etc.).
3. Reinstall the decorative trim.

NOTE: Make sure nothing obstructs or interferes with the front hot air outlets. The enclosure could overheat. Any accessible chimney must be fenced off or finished to prevent contact.



## 5 USE AND SAFETY

1. Teach children fireplace safety rules.
2. Do not use the fireplace under the following conditions:
  1. Whenever a firestone is missing or broken.
  2. Whenever the ceramic glass is cracked or broken.
3. Never use flammable liquids to light or revive a fire and keep such products away from any heat source. Before lighting a fire, make sure there are no flammable liquids, gases or fumes in the room.

**NEVER USE GASOLINE, GASOLINE-TYPE LANTERN FUEL, KEROSENE, CHARCOAL LIGHTER FLUID OR SIMILAR LIQUIDS TO START OR "FRESHEN UP" A FIRE IN THIS FIREPLACE. KEEP ALL SUCH LIQUIDS WELL AWAY FROM THE FIREPLACE AT ALL TIMES.**

4. Before starting each fire, open the flue damper using the key located in the middle behind the upper louver. When the fireplace is hot, do not touch the damper key with your bare hands.
5. Open the air intake lever located on the left behind the lower louver.
6. Prevent smoke flow reversal by preheating the chimney flue. Just hold a torch made of rolled up newspaper towards the smoke chamber for a few minutes.
7. Ventis fireplaces are designed to burn reasonable quantities of cordwood only. Avoid making overly intense fires that would damage the appliance.

### ***DO NOT OVERHEAT***

8. Use the log support made by the manufacturer. Burn only the quantity of combustible it can contain. Do not burn garbage, painted wood or wood that has been exposed to salt water.
9. Always have minimum of 1" accumulation of ashes at the bottom of the fireplace. The grate may deform if no ashes are left.
10. When using the fireplace for the first times, make small fires to give the firestone time to dry properly. The appearance of fine cracks in the firestone is normal and therefore not hazardous. It is not a matter for concern.
11. During the first fires, you may detect a certain odor and the coating and oil protecting certain appliance parts may smoke a little. If you open a window, these will quickly dispel.
12. It could also become necessary to open a window if the house is too airtight or if a fan is running.
13. **NEVER** leave the fireplace **unattended** while using the firescreen doors. When the glass doors are closed, make sure the air intake lever is to the open position to allow sufficient draft.
14. Expansion and contraction noises during the heating and cooling cycle are normal. It is not a matter for concern.
15. Once the fire is out and the embers have cooled, close the flue and the air intake dampers until you prepare to light the next fire.

NOTE: Make sure furniture, draperies, and any extra logs are at least 48" (1219 mm) away from the fireplace.

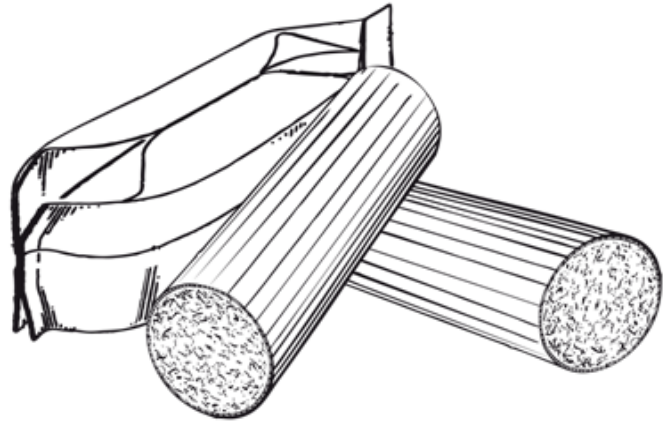




**WARNING:** This product can expose you to chemicals including carbon monoxide, which is known to the State of California to cause cancer, birth defects or other reproductive harm. For more information go to [www.P65warnings.ca.gov/](http://www.P65warnings.ca.gov/)

## 5.1 Manufactured Logs

Do not burn manufactured logs made of wax impregnated sawdust or logs with any chemical additives. Manufactured logs made of 100% compressed sawdust can be burned, but use caution in the number of these logs burned at one time. Start with one manufactured log and see how the fireplace reacts. Never use more than two manufactured logs at a time.



## 5.2 Creosote

When wood burns slowly, it produces tar and other organic vapors which combines with humidity to produce creosote. Creosote vapor condenses in the chimney left relatively cool by the slow fire and coats the inside of the flue with residue. When creosote ignites, it produces a red-hot, extremely dangerous fire.

It is therefore recommended to make small, brightly burning fires rather than lazy, smoldering fires. Not only will it keep your glass doors and flue cleaner but, what is most important, it will lessen the likelihood of chimney fires.

## 5.3 Chimney Fire Safety Procedures

What to do if you suspect a chimney fire has started:

1. Close the fireplace doors.
2. Alert everyone in the house.
3. Call the Fire Department if necessary.
4. Put out the fire in the fireplace with a dry-chemical extinguisher, baking soda, sand or ashes. **(Never use salt because it is corrosive, or water because it could cause a steam explosion.)**
5. Make sure the sparks coming from the chimney do not set fire to the roof.
6. Before reusing the fireplace, have it inspected by the Fire Department.

## 6 MAINTENANCE

1. Clean color trim with soapy water and a soft cloth. Do not use any metal polish or abrasives.
2. Keep the glass relatively clean. Dirty windows will make the fireplace overheat. Wait until the glass is cool before attempting to clean it. Wash the glass with window or oven cleaner, dishwashing liquid or just soap and water. Spray the cleaner on a soft cloth and not on the glass, since overspray may discolor coating or metal plating (not covered by the warranty). **DO NOT** use steel wool, soap pads (S.O.S.) or any other abrasive product since these may scratch the glass.
3. To remove the ashes, lift the log support. Put the ashes in a metal container with an airtight lid. Place the container on a non-combustible surface away from any flammables until the ashes are cold.
4. Before each heating season, inspect the interior and exterior of the fireplace and chimney for any defects or deterioration.
5. To reduce the risk of chimney fires, keep it relatively clean and regularly check for creosote buildup. To open the rain cap, just unscrew it counter-clockwise. Any layer of creosote greater than 1/8" (3 mm) thick should be swept. Use a plastic brush to avoid scratching the flue.

### 6.1 Replacing Glass

***Do not use the fireplace with a cracked glass.***

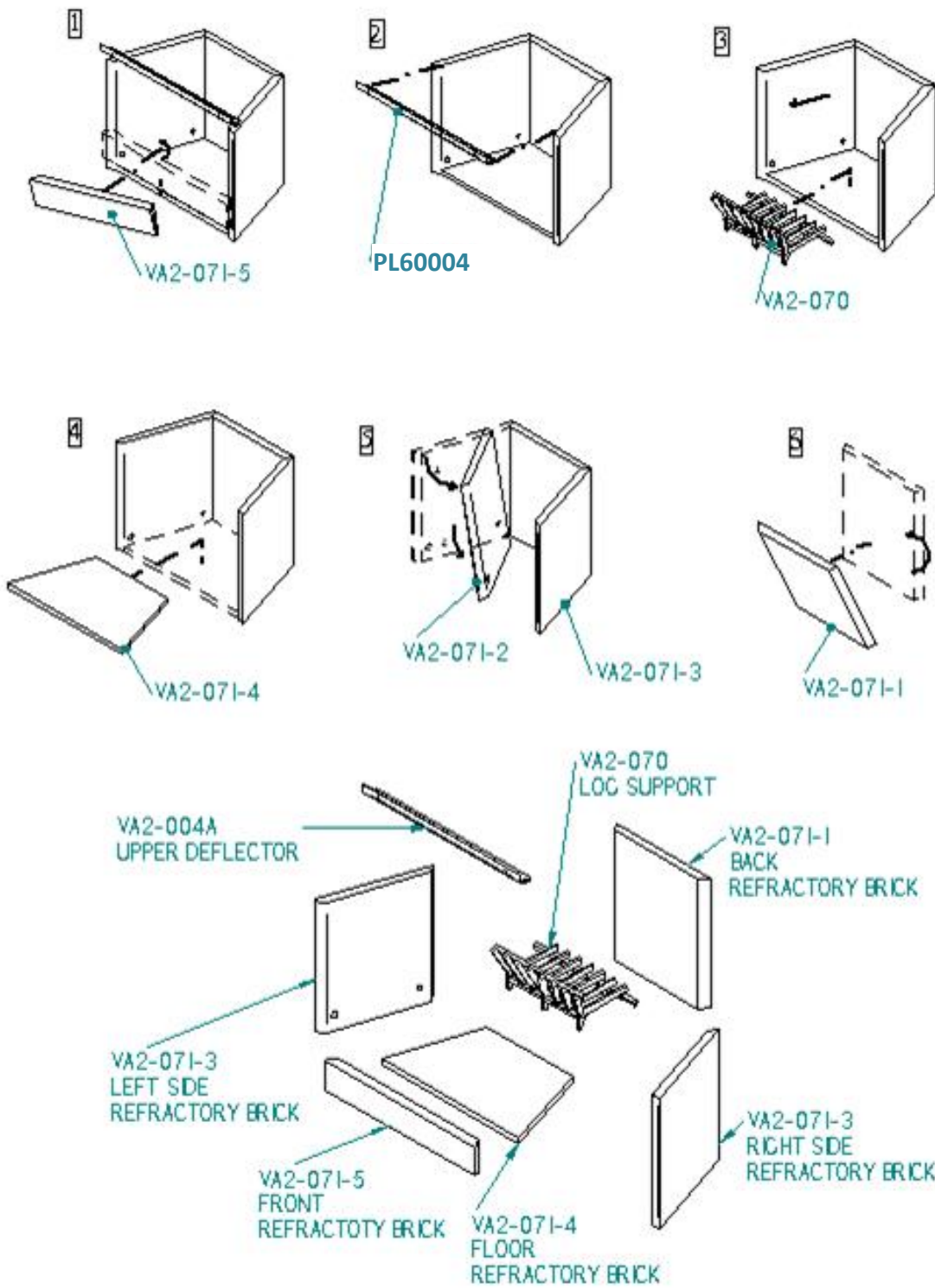
1. Cut the silicone joint holding the broken glass to the frame.
2. Remove all debris from the frame.
3. Use only 3/16" (5 mm) ceramic glass.
4. Slide the new window into the frame and fasten it in place with temperature-resistant silicone.
5. Handle the glass with care to avoid injury.
6. Allow to dry for 24 hours.

NOTE: Never use substitute parts. Use only Ventis brand parts.

### 6.2 Replacing Firestone in a ME150 Fireplace

***Do not use the fireplace with a broken or missing firestone.***

1. Remove the front stone (VA2-071-5).
2. Remove the upper deflector (PL60004) holding the side wall stones in place.
3. Remove the log support by pulling on it until it comes free.
4. Remove the floor stone (VA2-071-4).
5. Remove one of the side wall stones (VA2-71-3 or VA2-071-2).
6. Remove the second side wall stone while holding the back stone in place (VA2-071-1).
7. Remove the back stone (VA2-071-1).
8. To reinstall the replacement firestones, just follow the steps in reverse.



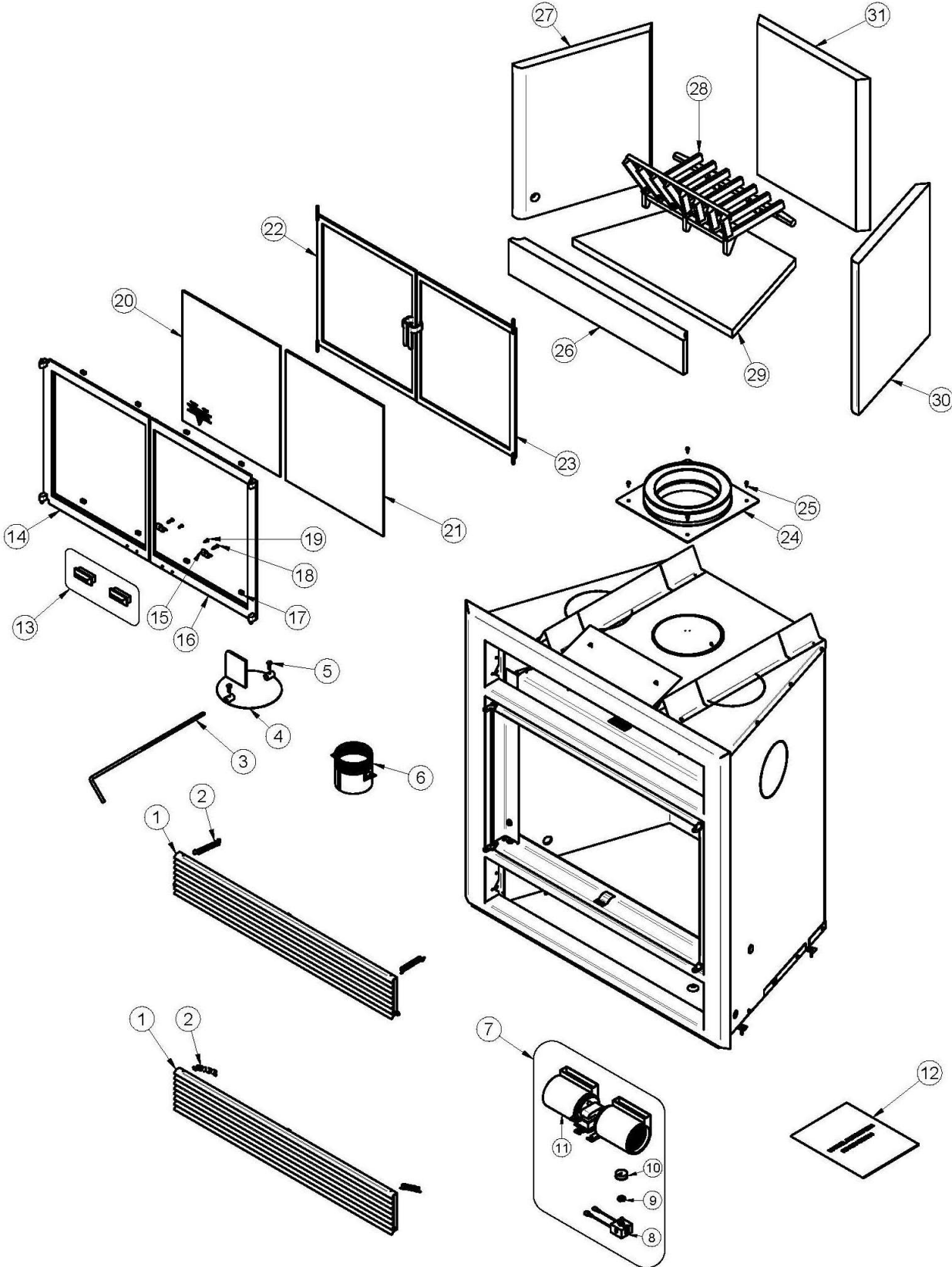
## 7 TROUBLESHOOTING

Expansion and contraction noises during the heating and cooling cycle are normal. Here is how to prevent smoke flow reversal: position air intake lever to maximum, slowly open the fireplace doors before lighting the kindling, make a torch by lighting rolled up newspaper and hold it out to the smoke chamber until you feel the chimney begin to draw.

A properly installed Fireplace should never smoke. If it does, it will probably be for one of the following reasons:

1. The chimney's outdoor installation is defective or incorrect, creating draught reversal problems and, consequently, making it difficult to start a fire.
2. The chimney was not adequately preheated. Remember that the hotter the fireplace, the better the chimney draws smoke.
3. The fireplace doors or the air intake damper were closed too quickly. Adequate air supply is essential to sustaining combustion.
4. If the room is too airtight or negative pressure has built in the house and there is no outside air intake, air supply to the fireplace will be lower than usual. Temporarily open a window near the fireplace to increase air supply.
5. Any type of fan (range hood or bathroom exhaust fan) that draws air outside can create negative pressure. Shut off the fan and/or open a window near the fireplace to solve this problem.
6. Wet wood smokes more than dry wood. The damper the wood, the less heat it generates and the more creosote it produces. If the wood being burned is very damp, inspect the chimney every month it is used.
7. Make sure the chimney is reasonably clean and unobstructed.
8. Check whether the chimney is the recommended height: minimum of 3' (914 mm) from the roof joint. If not, add more lengths of flue. This will improve draw and reduce the fireplace's tendency to smoke.
9. Fireplaces with chimneys abutting an unfinished outside wall often tend to smoke and are difficult to light. To prevent these problems, open a window near the fireplace and preheat the chimney by holding a newspaper torch in the smoke chamber (upper part of the combustion chamber). Wait long enough to establish effective draw, then light the fire.
10. Always remove excess ashes before lighting a fire. Maintaining a 1" (2.5 mm) thickness of ashes optimizes combustion and maximizes fire duration.
11. Use only dry wood, i.e. wood that has dried for one year (15% to 20% humidity). Very dry wood will burn very well, but will generate a great deal of heat and will not last.

# 7.1 Exploded view for replacement parts



## 7.2 Parts list

#	Item	Description	Qty
1	SE60079	BOTTOM OR TOP LOUVER ASSEMBLY	2
2	30472	SPRING 1/2" OUTSIDE DIA. X 3"L	4
3	PL59815	EXHAUST DAMPER ROD	1
4	SE60063	EXHAUST DAMPER ASSEMBLY	1
5	30484	WING NUT 1/4-20	2
6	PL59765	4" ADAPTER FOR FRESH AIR INTAKE KIT	1
7	VA4400	BLOWER ASSEMBLY	1
8	44080	RHEOSTAT WITH NUT	1
9	44087	RHEOSTAT NUT	1
10	44085	RHEOSTAT KNOB	1
11	44122	DOUBLE CAGE BLOWER 176 CFM	1
12	SE45812	ME150 INSTRUCTION MANUAL KIT	1
13	AC09194	BLACK WOODEN DOOR HANDLE (2 PER PACKAGE)	1
14	SE60087	LEFT DOOR FRAME ASSEMBLY	1
15	PL60760	DOOR RETAINER	2
16	SE60090	RIGHT DOOR FRAME ASSEMBLY	1
17	30217	GLASS CUSHION	8
18	30244	WOOD SCREW #8 X 3/4" PAN HEAD	2
19	30158	BLACK METAL SCREW #8 X 1/2" PAN QUADREX TYPE "A"	2
20	SE60099	LEFT REPLACEMENT GLASS 14 7/8" X 17 1/8"	1
21	SE60100	RIGHT REPLACEMENT GLASS 14 7/8" X 17 1/8"	1
22	SE60093	LH SIDE MECHE DOOR ASSEMBLY	1
23	SE60095	RH SIDE MECHE DOOR ASSEMBLY	1
24	CVA-AP07	7" VENTIS STAINLESS STEEL ANCHOR PLATE	1
25	30385	METAL SCREW #10 X 1/2" HEX TEK ZINC	4
26	VA2071-5	FRONT REFRACTORY SLAB	1
27	VA2071-2	LEFT REFRACTORY SLAB	1
28	VA2070	CAST IRON GRATE	1
29	VA2071-4	FLOOR REFRACTORY SLAB	1
30	VA2071-3	RIGHT REFRACTORY SLAB	1
31	VA2071-1	REAR REFRACTORY SLAB	1

## VENTIS LIMITED LIFETIME WARRANTY

The warranty of the manufacturer extends only to the original retail purchaser and is not transferable. This warranty covers brand new products only, which have not been altered, modified nor repaired since shipment from factory. Proof of purchase (dated bill of sale), model name and serial number must be supplied when making any warranty claim to your VENTIS dealer.

**This warranty applies to normal residential use only. Damages caused by misuse, abuse, improper installation, lack of maintenance, over firing, negligence or accident during transportation, power failures, downdrafts, venting problems or under-estimated heating area are not covered by this warranty. The recommended heated area for a given appliance is defined by the manufacturer as its capacity to maintain a minimum acceptable temperature in the designated area in case of a power failure.**

This warranty does not cover any scratch, corrosion, distortion, or discoloration. Any defect or damage caused by the use of unauthorized or other than original parts voids this warranty. An authorized qualified technician must perform the installation in accordance with the instructions supplied with this product and all local and national building codes. Any service call related to an improper installation is not covered by this warranty.

The manufacturer may require that defective products be returned or that digital pictures be provided to support the claim. Returned products are to be shipped prepaid to the manufacturer for investigation. Transportation fees to ship the product back to the purchaser will be paid by the manufacturer. Repair work covered by the warranty, executed at the purchaser's domicile by an authorized qualified technician requires the prior approval of the manufacturer. All parts and labour costs covered by this warranty are limited according to the table below.

The manufacturer, at its discretion, may decide to repair or replace any part or unit after inspection and investigation of the defect. The manufacturer may, at its discretion, fully discharge all obligations with respect to this warranty by refunding the wholesale price of any warranted but defective parts. The manufacturer shall, in no event, be responsible for any uncommon, indirect, consequential damages of any nature, which are in excess of the original purchase price of the product. A one-time replacement limit applies to all parts benefiting from lifetime coverage. This warranty applies to products purchased after March 1<sup>st</sup>, 2015.

DESCRIPTION	WARRANTY APPLICATION	
	PARTS	LABOUR
Combustion chamber (welds only), castings and convector air-mate.	Lifetime	4 years
Plating* (defective manufacture) – subject to limitations above and ceramic glass (thermal breakage only*).	Lifetime	N/A
Stainless steel firebox components, C-Cast baffle*, vermiculite baffle* and secondary air tubes*, glass retainers and handle assembly.	5 years	3 years
Surrounds and heat shields, ash drawer, steel legs, pedestal and trim (aluminum extrusions).	5 years	N/A
Carbon steel firebox components.	3 years	2 years
Blowers, heat sensors, switches, rheostat, wiring and electronics.	2 years	1 year
Paint (peeling), gaskets, insulations, firebricks and ceramic fibre blankets.	1 year	N/A

**\*Pictures required**

Labour cost and repair work to the account of the manufacturer are based on a predetermined rate schedule and must not exceed the wholesale price of the replacement part.

Shall your unit or a components be defective, contact immediately your VENTIS dealer. To accelerate processing of your warranty claim, make sure to have on hand the following information when calling:

- Your name, address and telephone number;
- Bill of sale and dealer's name;
- Installation configuration;
- Serial number and model name as indicated on the nameplate fixed to the back of your unit;
- Nature of the defect and any relevant information.

**Before shipping your unit or defective component to our plant, you must obtain an Authorization Number from your VENTIS dealer. Any merchandise shipped to our plant without authorization will be refused automatically and returned to sender.**

