

DISTRIBUTED BY:

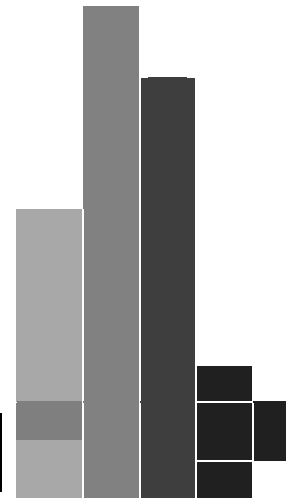
# SBI

## VENTING DIVISION



### 2100 insulated chimney

### Insulated Masonry Thimble



### Installation Instructions

**A MAJOR CAUSE OF CHIMNEY-RELATED FIRES IS FAILURE TO MAINTAIN REQUIRED CLEARANCES (AIR SPACES) TO COMBUSTIBLE MATERIALS. IT IS OF THE UTMOST IMPORTANCE THAT THIS INSULATED MASONRY THIMBLE BE INSTALLED ONLY IN ACCORDANCE WITH THESE INSTRUCTIONS.**



250 De Copenhagen Street.  
Saint-Augustin-de-Desmaures,  
(Quebec), Canada, G3A 2H3  
418 870-1305

**READ AND KEEP THIS MANUAL FOR REFERENCE**



## TABLE OF CONTENT

<b>General Product Information .....</b>	<b>4</b>
Codes & Permits .....	4
Product Applications.....	4
<b>General Specifications .....</b>	<b>5</b>
Clearances .....	5
Safety Precautions .....	5
<b>Installation Preparation.....</b>	<b>6</b>
Equipment, Tools and Hardware .....	6
Approved Installations .....	6
Safety Considerations .....	6
<b>Installation Instructions .....</b>	<b>7</b>
<b>Maintenance Instructions.....</b>	<b>12</b>
Maintenance Procedures.....	12
<b>LIMITED LIFETIME WARRANTY .....</b>	<b>13</b>

## GENERAL PRODUCT INFORMATION

The quality and workmanship of this *Insulated Masonry Thimble* is reflected in the recognition an accredited laboratory has given these products. The rigorous UL and ULC testing and listing requirements is your assurance of consistent quality in materials and manufacturing standards used for this product.

In addition, the industry-leading Warranty on the *Insulated Masonry Thimble* is a further indication of our confidence in the quality of these products. Thank you for choosing SBI Venting Division!

The *Insulated Masonry Thimble* product is UL 103HT & ULC S641 listed to 2100 degrees in 6", 7" and 8" diameters.

The *Insulated Masonry Thimble* must be installed by a qualified chimney or venting professional, according to these installation and maintenance instructions. Read through and become familiar with these installation instructions before installing this product. Failure to follow these instructions may void the manufacturer's warranty, the UL and ULC listing status of this product, and may result in a hazardous installation.

Keep these instructions for future reference.

## CODES & PERMITS

The criteria for installation must be in conformance with the specifications contained in the latest version of the NFPA 211 (Standard for Chimneys, Fireplaces, Vents and Solid Fuel Burning Appliances) and local or state building codes, whichever has jurisdiction. The *Insulated Masonry Thimble* is an engineered and listed through-the-wall insulated thimble assembly that reduces the minimum clearance to combustibles of 18 inches required by NFPA 211 standard. Contact local building or fire officials about restrictions and installation inspection in your area. It may or may not be necessary to obtain permits before installing the *Insulated Masonry Thimble*. ALWAYS CONTACT YOUR LOCAL BUILDING OFFICIAL OR FIRE OFFICIAL REGARDING PERMITS, RESTRICTIONS AND INSTALLATION INSPECTIONS IN YOUR AREA.

## PRODUCT APPLICATIONS

A heating appliance may also be connected to a masonry chimney, provided the chimney complies with the construction rules found in the building code enforced locally. The chimney must have either a clay liner or a suitably listed stainless steel liner.

The *Insulated Masonry Thimble* is intended for use in conjunction with any residential heating appliance burning solid fuels. The *Insulated Masonry Thimble* is to be used as a thimble/wall pass thru to connect appliances to interior or exterior masonry chimneys while having to pass through a combustible wall in order to connect to the chimney.

# GENERAL SPECIFICATIONS

## CLEARANCES

You must maintain at least a 2-inch air space clearance between **interior masonry chimneys** (which have any portion of the chimney located within the exterior wall of the building) and combustible materials. Ensure that building insulation, electrical wiring and/or any other combustible materials do not violate the required 2-inch airspace clearance.

The minimum air space clearance between **exterior masonry chimneys** (which have the chimney completely outside the exterior wall of the building, excluding the soffit or cornice area) and combustible material shall be at least 1 inch in the United States or at least 1/2 inch in Canada. Do not fill any required clearance space with insulation or any other materials. Ensure that building insulation, electrical wiring and/or any other combustible materials do not violate the required clearance for a proper installation of the Masonry Thimble.

## SAFETY PRECAUTIONS

The installation instructions provided with the *Insulated Masonry Thimble* are intended as a guide to **only** assist a qualified chimney professional/installer. Be sure to have the chimneys integrity inspected before installing the *Insulated Masonry Thimble*. Inspect the chimney for any loose or eroded mortar, cracks in the masonry, missing bricks, any internal obstructions, unused flue holes, and excessive creosote formation. **Do not install** the *Insulated Masonry Thimble* before fixing all irregularities in the chimney.

If the chimney needs to be cleaned- then all cleaning to the chimney shall **only** be done by a professional certified chimney sweep.

The wall trim of the *Insulated Masonry Thimble* should be installed on approved fire-retardant sheetrock, millboard, brick or their like.

The *Insulated Masonry Thimble* must be installed so there are no obstructions below or above the wall protector. The *Insulated Masonry Thimble* should not be located directly behind a heating appliance (i.e. straight out of the wall behind the appliance).

The *Insulated Masonry Thimble* must be properly sized for your heating appliance. The chimney must be sized in accordance with the appliance manufacturer's instructions. In the cases where the chimney system is sized incorrectly, not in compliance with the current local building codes, or in poor physical condition then a new lining system should be installed and inspected before installation of the *Insulated Masonry Thimble*.

Appliance Flue Collar Diameter	Use the Insulated Masonry Thimble Part #
6"	ITH06-R
7"	ITH07-R
8"	ITH08-R

# INSTALLATION PREPARATION

## EQUIPMENT, TOOLS AND HARDWARE

Tools:	Equipment:	Hardware:
Reciprocating Saw	Ladder	Framing Nails
Keyhole Saw	Safety Glasses	High-Temp Sealant
Drill	Protective Gloves	Wood Screws
Hammer		Masonry Anchor set or Tapcons
Masonry Drill Bit (1/4" Diameter)		#8 x 1 1/4" Screws
		Fastening Pipe Clamp

## APPROVED INSTALLATIONS

Use of any parts or materials not specified in this installation manual may not provide a listed system and may void the *Insulated Masonry Thimble* warranty. Do not use damaged or modified parts. There are three types of installations in which an ***Insulated Masonry Thimble*** may be used;

- Where a thimble hole already exists in a properly lined chimney.
- An installation that requires a new thimble.
- An installation incorporating a new UL or ULC listed stainless steel liner system.

The step-by-step installation instructions below will cover all three installations.

## SAFETY CONSIDERATIONS

**Caution:** The ends or edges of the *Insulated Masonry Thimble* can be sharp! We strongly recommend the use of gloves during installation.

**Warning:** Be sure that the *Insulated Masonry Thimble* does not come in contact with electrical or any other wires. Be sure to check for any other obstacles that could be harmful to the installer or home owner before beginning the installation. ***The Insulated Masonry Thimble may not pass through an attic, closet, concealed space, floor, ceiling, or roof- no exceptions.***

# INSTALLATION INSTRUCTIONS

**Step 1- Position Thimble:** Determine the location of the opening where you want the masonry adapter section of the *Insulated Masonry Thimble* to pass through the wall. In general, the higher up on the wall you install the adapter the better, this will improve draft and reduce the cost of the chimney liner.

**Keep in mind that a single wall stove pipe must be at least 18" from a ceiling.**

If the chimney is constructed with a space beyond the exterior wall of the house, check the outside of the house for weather tightness around the periphery of the back plate. Do not place insulation in this area. Maintain at least 1" air space between the masonry and any combustible material.

**Step 2- Cut & Frame Opening:** Cut and frame an opening in the combustible wall using **Table 1** to determine your rough opening dimension size. Make sure your rough opening is centered with your chimney flue opening in masonry. If the installation requires you to make a new flue hole in the chimney, then follow **Table 1** for the hole size.

**CAUTION:** Before cutting the opening into the combustible wall make sure there are no electrical wires or plumbing pipe within this section of the wall. If a wall stud or any other combustible material is encountered within the opening, it will need to be removed. Appropriate framing and headers if needed must be installed to insure a safe installation of the *Insulated Masonry Thimble*. (Refer to **Table 1** and **Fig. #1** regarding rough framing dimensions for the thimble pipe diameter occupied).

*Build support header if necessary*

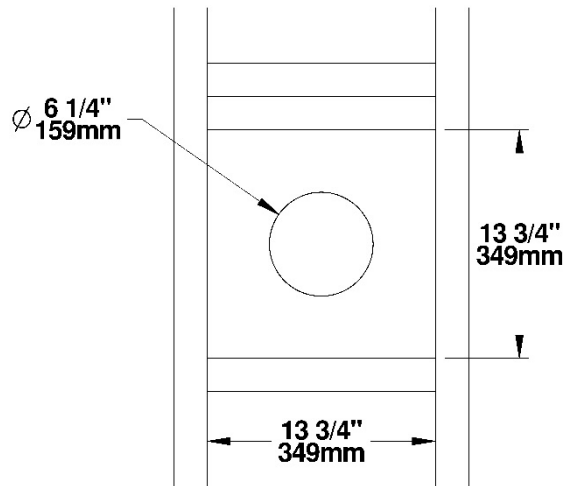


Table 1 - Rough Opening Dimensions for Combustible Wall:			
Insulated Masonry Thimble	6"	7"	8"
Hole for chimney	6 1/4"	7 1/4"	8 1/4"
Square rough opening for combustible wall	13 3/4" X 13 3/4"	14 3/4" X 14 3/4"	15 3/4" X 15 3/4"

### **Step 3- Mounting Masonry Adapter Section:**

Place the masonry mounting flange flat against the open area on the masonry chimney and center the masonry opening with the pipe opening attached to the masonry adapter section of the Insulated Masonry Thimble. Once in desired location mark the holes that you will be applying masonry anchors or tapcons to **(we recommend you use at least 4x of the 8x masonry holes provided in the masonry mounting plate for a secure hold to the masonry)**. Remove the masonry adapter section and drill out the markings you made with a masonry bit. After your holes are drilled apply an exterior rated high temp silicone caulking to the back of the mounting plate then insert your anchors and place the masonry adapter section with the masonry mounting plate back over your holes. Make sure the mounting holes line up correctly, and securely fasten using your anchor screws or tapcons. See illustrations below for masonry anchors and tapcon installation of masonry mounting plate. **Note: Be sure to check all clearances required before mounting the masonry adapter section of the Insulated Masonry Thimble.**

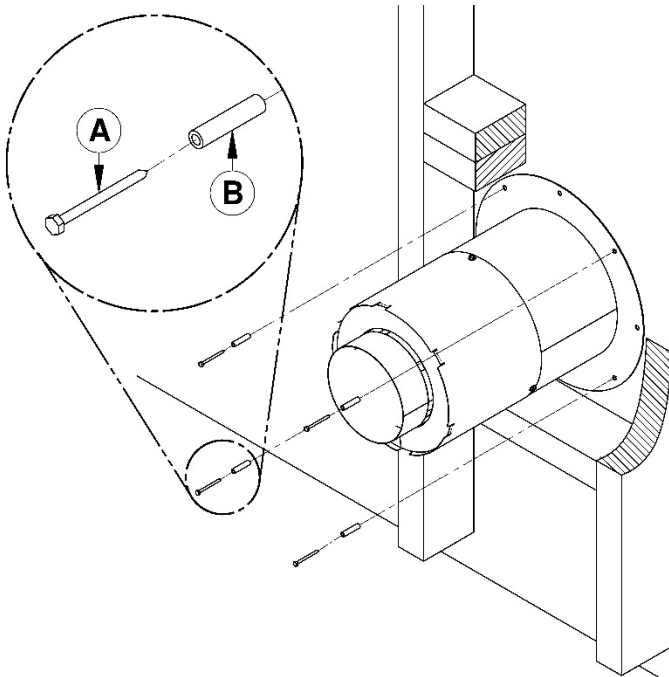
For an installation with a 5" liner, use the adapter 6" to 5" CUCHF65.

For an installation with a 5.5" liner, use the adapter 6" to 5.5" CACHF55.

### **Masonry Anchor Installation:**

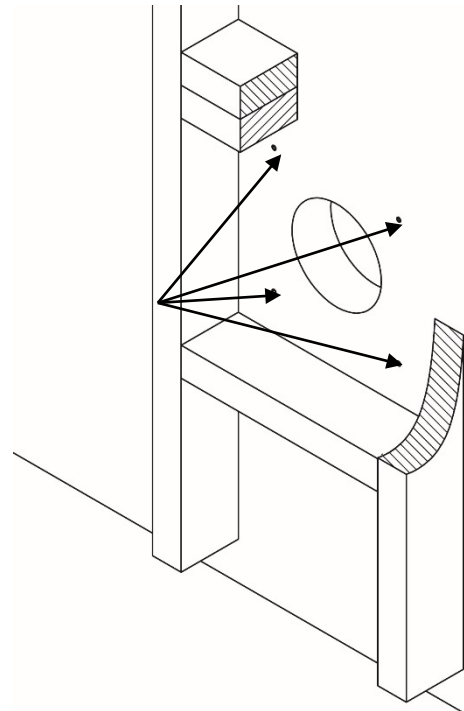
#### **Step A**

Mark out your holes for the masonry anchors.



#### **Step B**

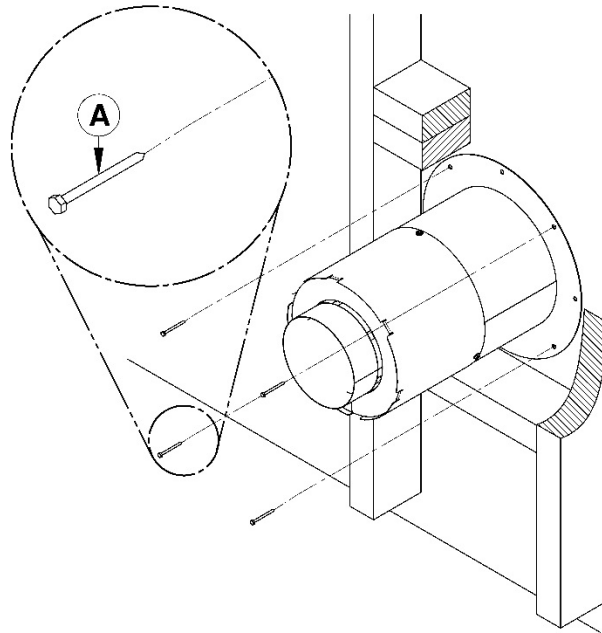
Drill holes for the anchors, and then insert anchors into masonry.





**Step C**

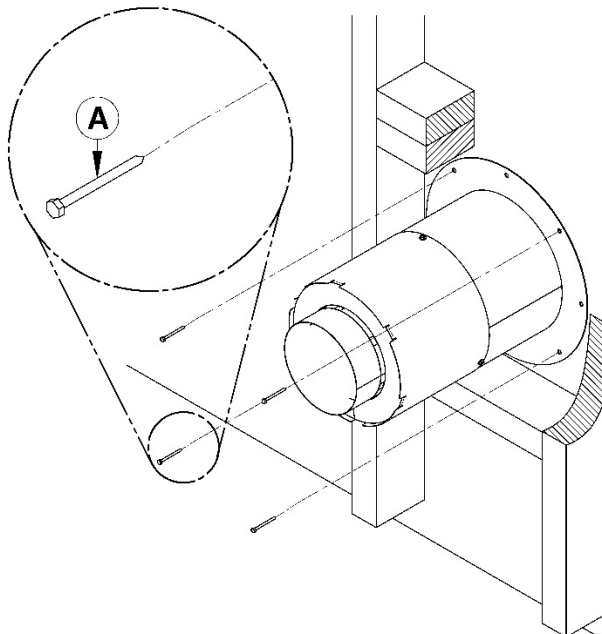
Screw your anchor screws into the anchors.



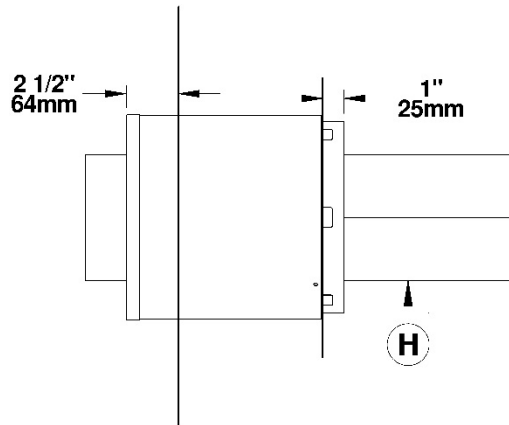
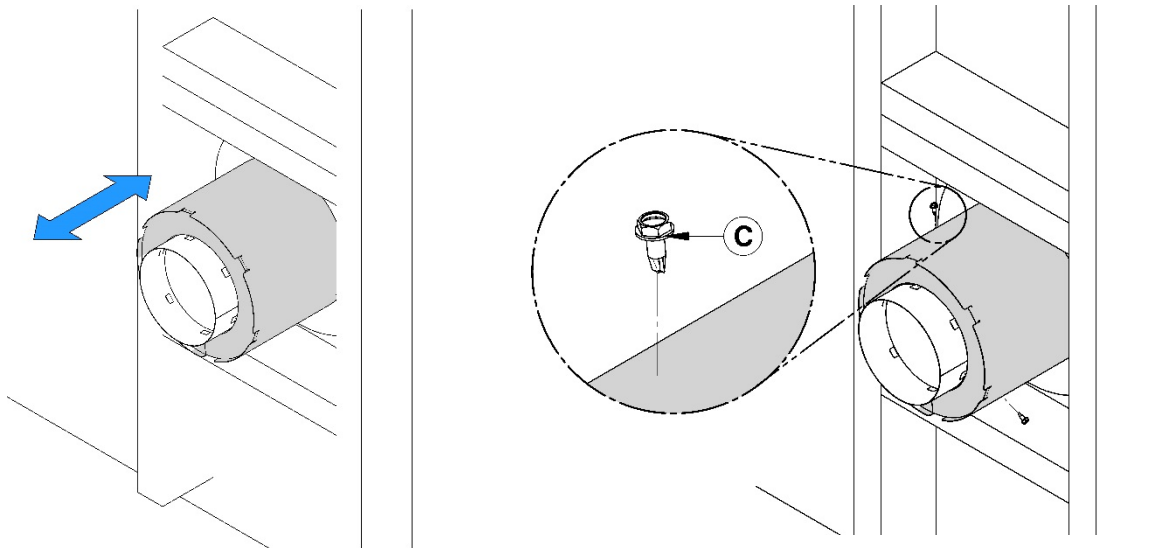
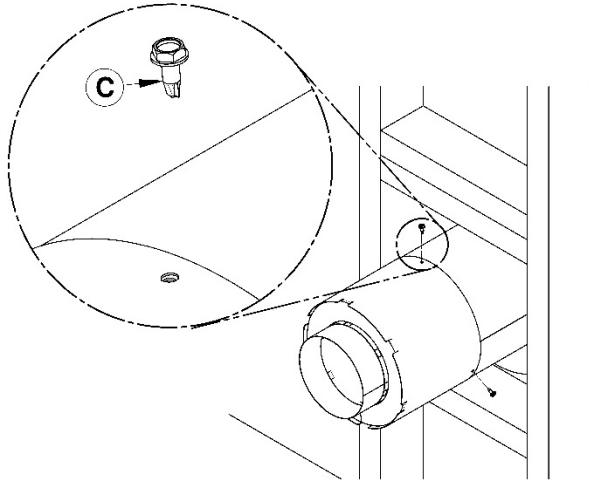
Tapcon Installation:

**Step A**

Mark out your holes for the Tapcons. After your holes are drilled apply an exterior rated high temp silicone caulking to the back of the mounting plate then insert your anchors and place the masonry adapter section with the masonry mounting plate back over your holes. Screw your Tapcons into holes in the masonry flange.

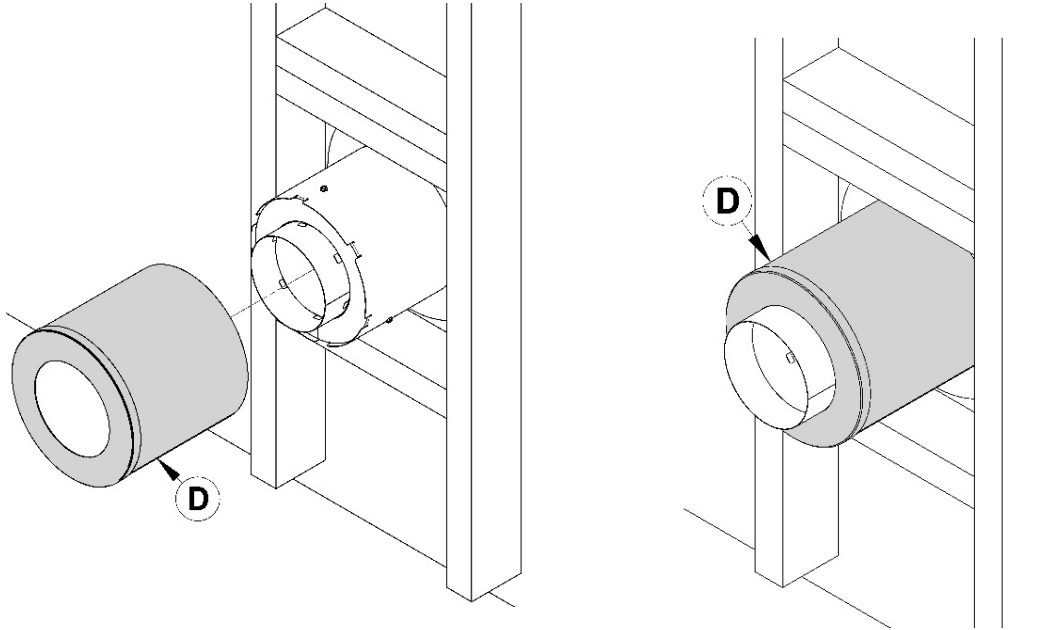


**Step 4- Adjustment:** Remove the three screws (C) on the masonry baffle, this will allow you to adjust the distance of the firewall to the width of the wall to which it will be installed. Once the firestop has been properly adjusted, fix it again with the previously removed screws.



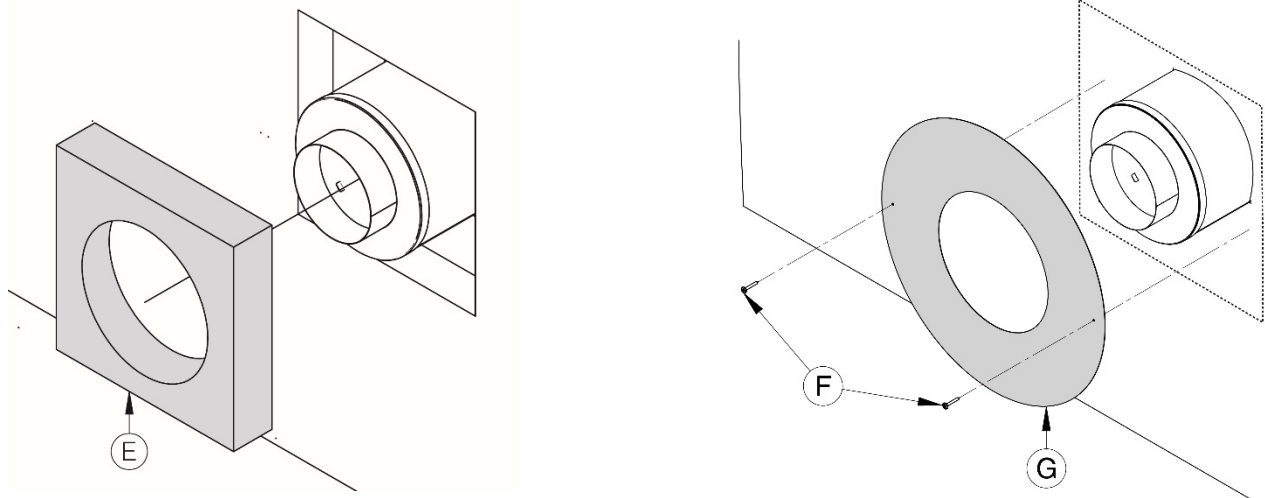
**Note:** The thimble must be adjusted so that it projects 2-1/2" out from the finished interior wall surface.

**Step 5-**Slide connector pipe through masonry section pipe



**Step 6- Finished End:**

After replacing the finishing wall surface for the cut-out of the Insulated Masonry Thimble, you can place the finishing trim over the finished end of the Insulated Masonry Thimble and use the two screw holes to fasten the finishing trim using the black finish screws provided.



**Use the black finish screws provided to fasten the finishing trim securely to the wall**

# MAINTENANCE INSTRUCTIONS

## MAINTENANCE PROCEDURES

It is important that the *Insulated Masonry Thimble* and chimney system be checked and cleaned frequently during the heating season or as per stove manufacturer's instructions. This is for the safety of the homeowner and necessary to meet the warranty requirements of the *Insulated Masonry Thimble*. As noted above, in the case of solid fuel burning appliances, more frequent maintenance may be required, depending on use and the appliance manufacturer's instructions. The entire system, from the connection at the appliance to the top of the chimney must be completely inspected and cleaned by a professional certified chimney sweep.

### Formation of Creosote and Soot - Formation and Need for Removal

**Note: Chimney fires are dangerous and preventable, we strongly encourage you to have your chimney liner cleaned regularly.**

**When wood is burning slowly, it produces tar and other organic vapors, which combine with expelled moisture to form creosote. The creosote vapors condense in the relatively cool flue of a slow-burning fire. As a result, creosote makes an extremely hot fire.**

**The chimney should be inspected at least once every two months during the heating season to determine if creosote or soot buildup has occurred. If creosote or soot has accumulated, it should be removed to reduce the risk of a chimney fire.**

**To clean the chimney lining system, it is recommended to perform the following:**

- 1) Remove chimney cap by either removing the 4 bolts on the cap lid or by loosening the clamp band.
- 2) Select the proper sized chimney brush to clean the chimney. Be sure the brush head passes throughout the complete length of the liner, including the connectors, terminals and tees.
- 3) In some instances, proper cleaning will require removing the appliance and disassembling the connector assembly to thoroughly inspect and clean parts that cannot be reached otherwise.
- 4) Inspect and clean the chimney cap. Spark arrestors and other screens may be necessary or required in some areas but may be susceptible to blockage from creosote or through freezing moisture in areas of low ambient temperature.
- 5) Reinstall chimney cap.
- 6) Before the initial firing of the appliance, check the appliance's operating instructions for initial firing precautions.

### Additional Information

After cleaning or inspecting the chimney or connector system, check the *Insulated Masonry Thimble* for secureness of all parts. Make sure the chimney connector is routed to the chimney at the required upward pitch toward the chimney.

## LIMITED LIFETIME WARRANTY 2100 INSULATED CHIMNEY

**The warranty:**

The manufacturer's warranty applies only to the original purchaser and is not transferable. Subject to the conditions and exclusions set forth below, the manufacturer warrants that its products will be free from manufacturing if properly installed. This warranty only covers replacement of defective chimney components in a residential installation. This warranty is void if the chimney is used in a different application than what it is designed for. This warranty is the sole and exclusive remedy, offered in lieu of all other warranties, expressed or implied.

**Warranty conditions:**

The warranty of the chimney system and its components are subject to the following conditions:

Brand new products with proof of purchase only;

- 1) Products must have been purchased from an authorized *SBI Venting Division* dealer;
- 2) Installation in accordance with the instructions supplied with this product and all local and national building codes;
- 3) Normal use with a residential heating appliance that has been certified by an accredited laboratory (pellet, wood or coal). Read the installation instructions for more details.
- 4) The chimney is designed to operate at a maximum continuous temperature of 650 degrees Celsius (1,200 degrees Fahrenheit) or less;
- 5) The chimney system must be cleaned and inspected on an annual basis by a chimney professional at intervals of no more than 12 months each, starting at the date of purchase and as long as the warranty period applies. Receipts verifying that maintenance was performed must be kept;
- 6) Products under this warranty must have been produced after the date indicated on the cover page of this document;
- 7) The chimney must have a cap installed;
- 8) Parts or components from other manufacturers are not covered by this warranty.

Warranty application in the case of a replacement:

	0 to 10 years <sup>1</sup>	11 to 15 years <sup>1</sup>	16 years and more <sup>1</sup>
<b>Chimney and adaptors</b>	<b>100%</b>	<b>75%</b>	<b>50%</b>
<b>Supports, cap and brackets*</b>	100%	100%	50%
<b>Labor</b>	150\$ <sup>2</sup>	N/A	N/A

\* Covers perforation only.

<sup>1</sup> From date of purchase.

<sup>2</sup> Maximum compensation upon evidence of the original installation and replacement done by a professional. Claim is subject to approval by the manufacturer.

This warranty covers the transportation costs for replacement parts. These will be delivered FOB Saint-Augustin-de-Desmaures (Quebec) to the nearest *SBI Venting Division* retailer.

The parts covered by lifetime warranty are subject to a limit of one replacement on the useful life of the product.

The manufacturer may, at its discretion, fully discharge all obligations with respect to this warranty by refunding the suggested retail price determined the manufacturer of any warranted but defective parts or supply any replacement parts under warranty without any charge.

**Warranty exclusions:**

This warranty does not cover:

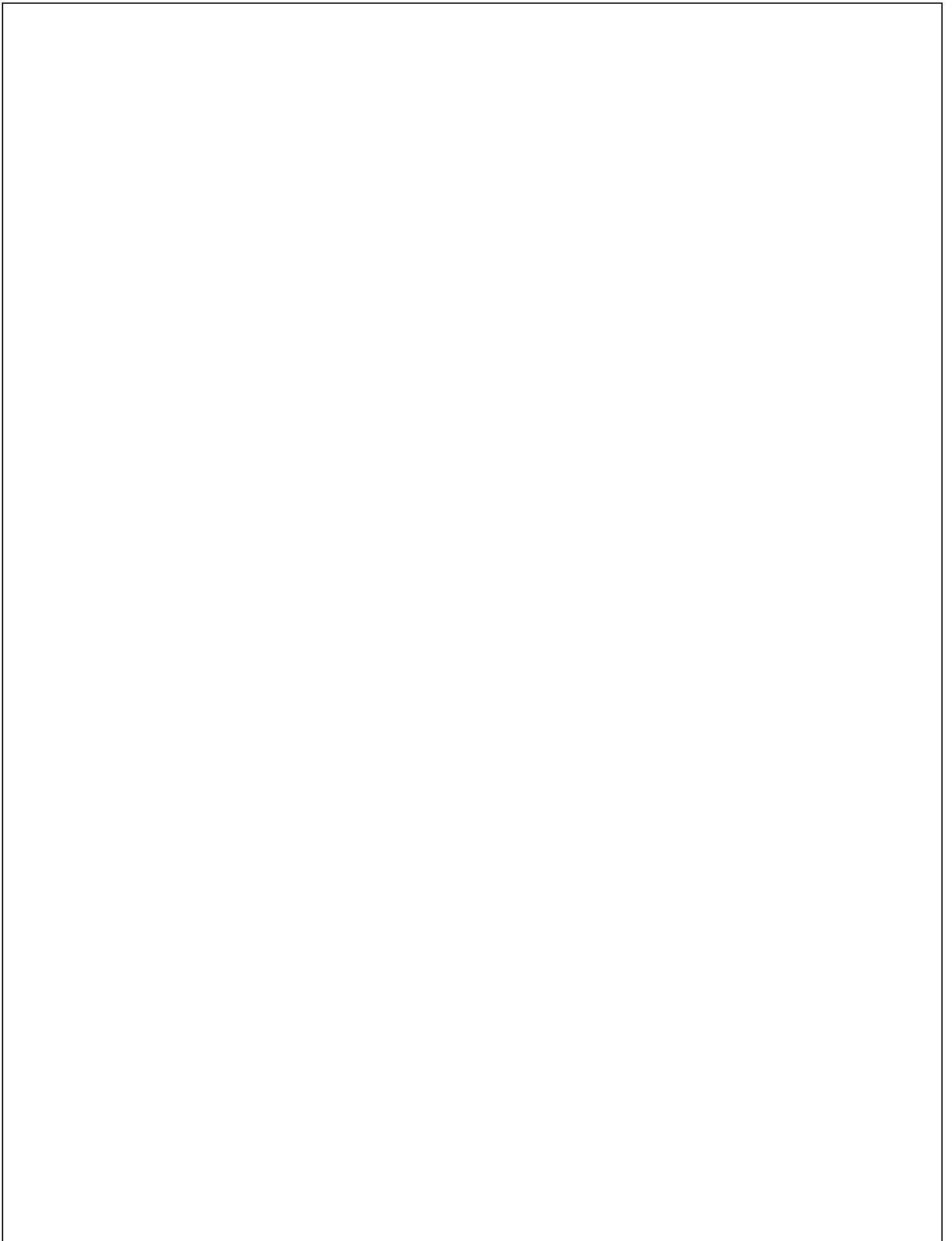
- 1) Labour (unless specified by the manufacturer) and installation costs;
- 2) Products that have been altered, modified or repaired since shipment from factory;
- 3) Products that have been moved from their original installation site;
- 4) Any non-stainless components mounted or connected to the chimney or venting system;
- 5) Damage (to products, appliances or structure) caused by misuse, abuse, improper installation, lack of maintenance, improper inspection or any other negligence;
- 6) This warranty does not cover incidental or collateral damages caused by smoke, fire, flood, strong winds, "acts of God", or any other contingency beyond the manufacturer's control;
- 7) Use of improper chimney cleaners or any improper solvents/chemicals will void all applicable warranties;
- 8) Does not cover any solid fuel other than pellet, wood or coal with low sulfur content;
- 9) Damage resulting from the use of driftwood, pressure-treated lumber, wood containing salt, chemicals, or any prohibited material will void all applicable warranties.

**Claim process:**

Shall your unit or any component be defective, contact immediately your *SBI Venting Division* dealer. Prior to your call, make sure that you have the following information necessary for your warranty claim treatment:

- Your name, address and telephone number;
- Model name as indicated on the certification label or instruction sheets;
- Original invoice and dealer's name;
- Nature of the defect and any relevant information.

Before shipping your unit or defective component to the manufacturer, you must first obtain a return authorization number. Supporting documents or digital pictures may be required to support the claim Any merchandise shipped to the manufacturer without authorization will be refused automatically and returned to sender.





250 De Copenhague Street.  
Saint-Augustin-de-Desmaures,  
(Quebec), Canada, G3A 2H3  
418 870-1305