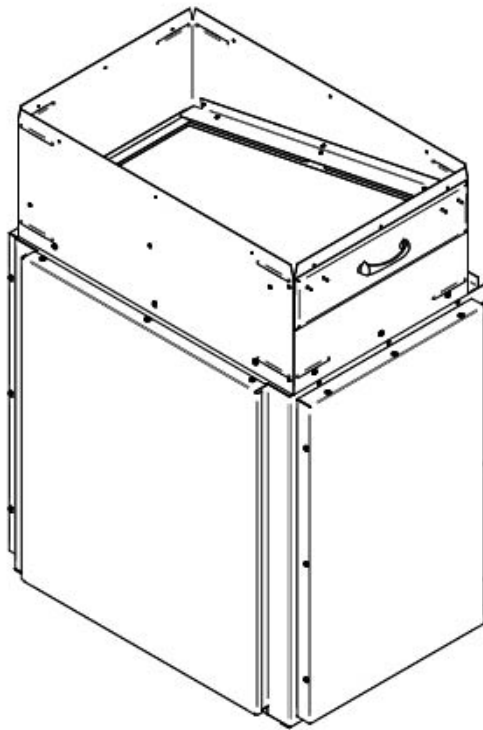




INSTALLATION INSTRUCTIONS FOR THE BLOWER ASSEMBLY, AND THE COLD AIR SUPPORT

PA08567

CADDY FURNACE



This manual is available for free download on the manufacturer's web site. It is a copyrighted document. Re-sale is strictly prohibited. The manufacturer may update this manual from time to time and cannot be responsible for problems, injuries, or damages arising out of the use of information contained in any manual obtained from unauthorized sources.



**Eco-energy at the hearth
of your home**

PSG
250, de Copenhague,
St-Augustin-de-Desmaures (Quebec)
CANADA G3A 2H3

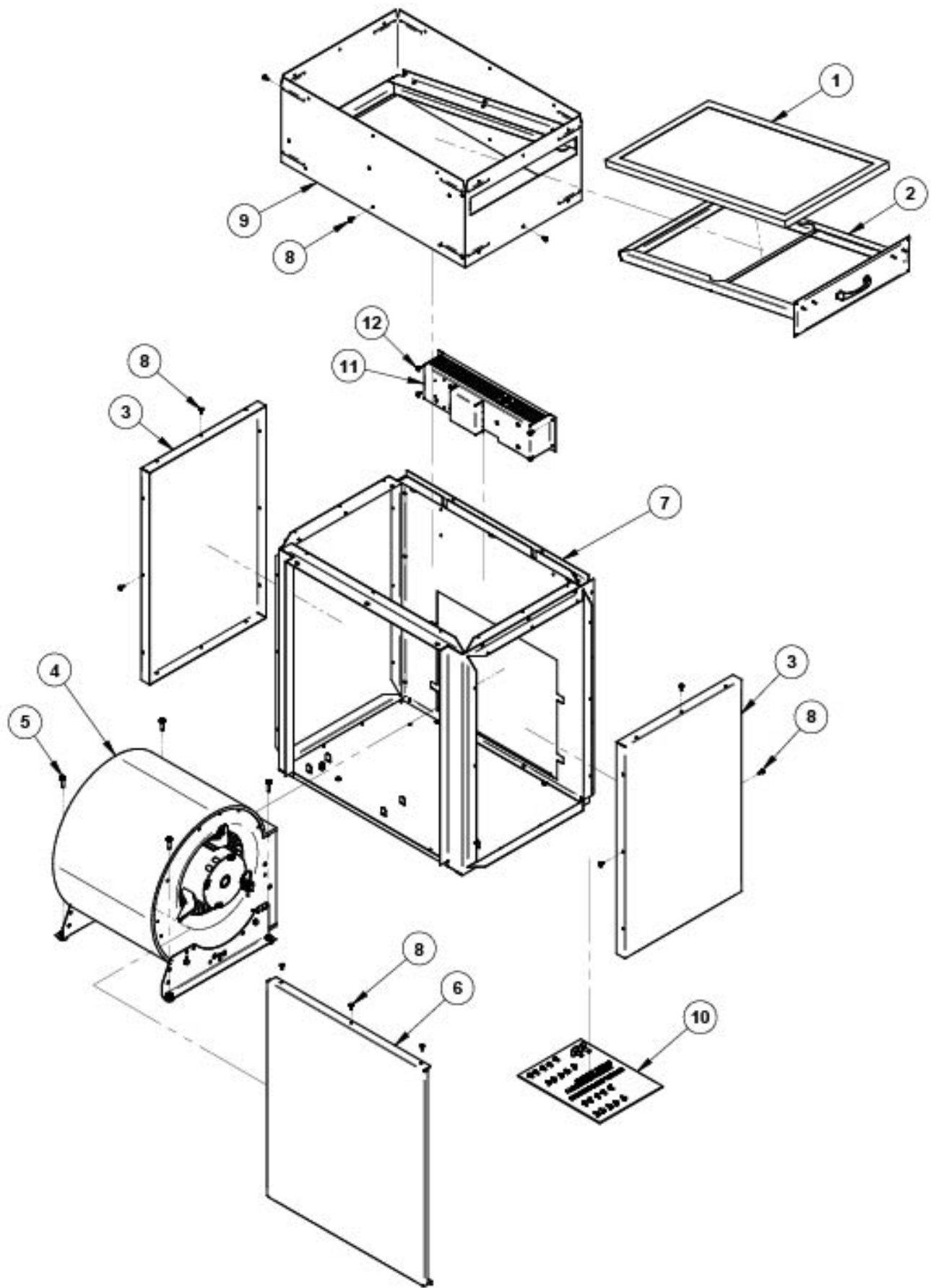
Table of contents

1	BLOWER BOX ASSEMBLY INSTALLATION	4
2	DUCT SUPPORT INSTALLATION.....	8
1.1	Installation on TOP	8
1.2	Installation on the RIGHT side.....	10
1.3	Installation on the LEFT side	11
3	GENERAL ELECTRICAL WIRING DIAGRAM	12
4	BLOWER BOX DIMENSIONS.....	13

NOTE: If you install the duct support on the top of the blower box, you have to install the cold air plenum kit PA08505 (not included)

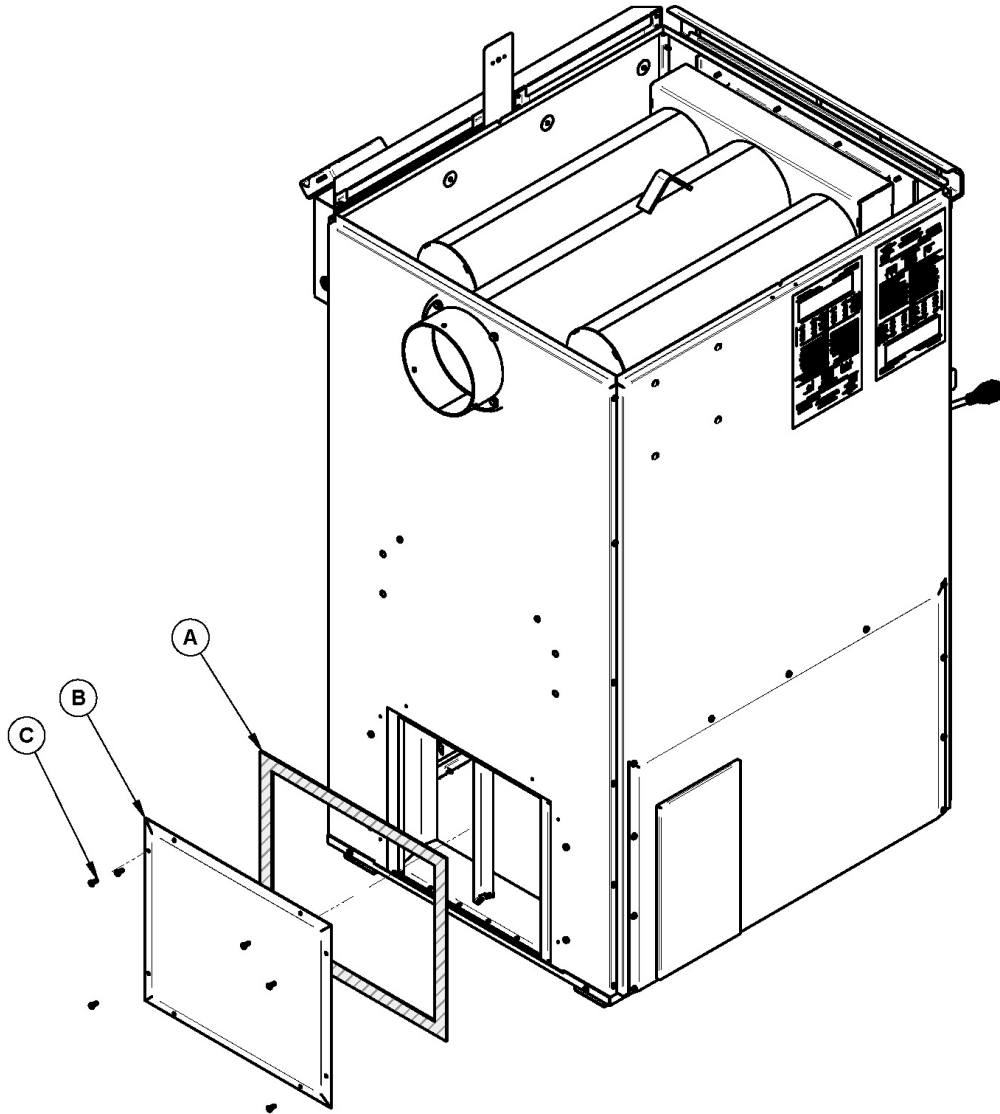
For installation instructions of the other components of the furnace (temperature sensor, servomotor, electronic boards) as well as electrical diagrams for the wood-electric or wood-oil combination furnace refer to the Caddy furnace user's manual.

CONTENT OF THE BOX (PA08567)		
1	CARDBOARD AIR FILTER 25" X 14" X1"	1x
2	FILTER SUPPORT ASSEMBLY	1x
3	BLOWER BOX SIDE PANEL	2x
4	G10 BLOWER ASSEMBLY WITH 1/3HP MOTOR	1x
5	1/4"-20 X 1" HEXAGONAL BOLT	4x
6	BLOWER ACCESS DOOR	1x
7	BLOWER BOX ASSEMBLY	1x
8	BLACK METAL SCREWS #10 X 1/2" TYPE "A" PAN QUADREX	12x
9	DUCT SUPPORT ASSEMBLY	1x
10	BLOWER ASSEMBLY MANUAL KIT	1x
	ELEVATOR BOLTS	2x
	BLACK METAL SCREWS #10 X 1/2" TYPE "A" PAN QUADREX	20x
11	POWER BOARD HOUSING ASSEMBLY	1x
12	CUTTING THREAD SCREW 10-24 TYPE "F" X 3/8" HEX WASHER	4x

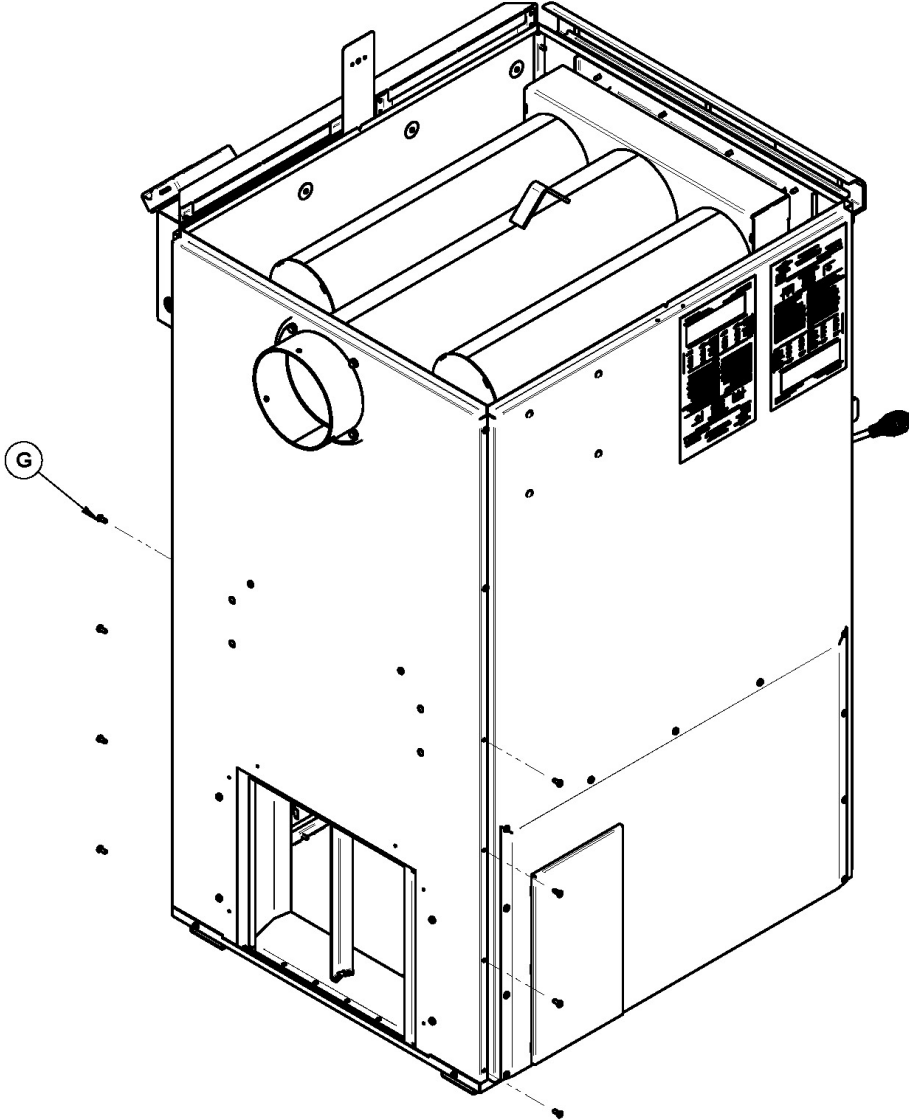


1 BLOWER BOX ASSEMBLY INSTALLATION

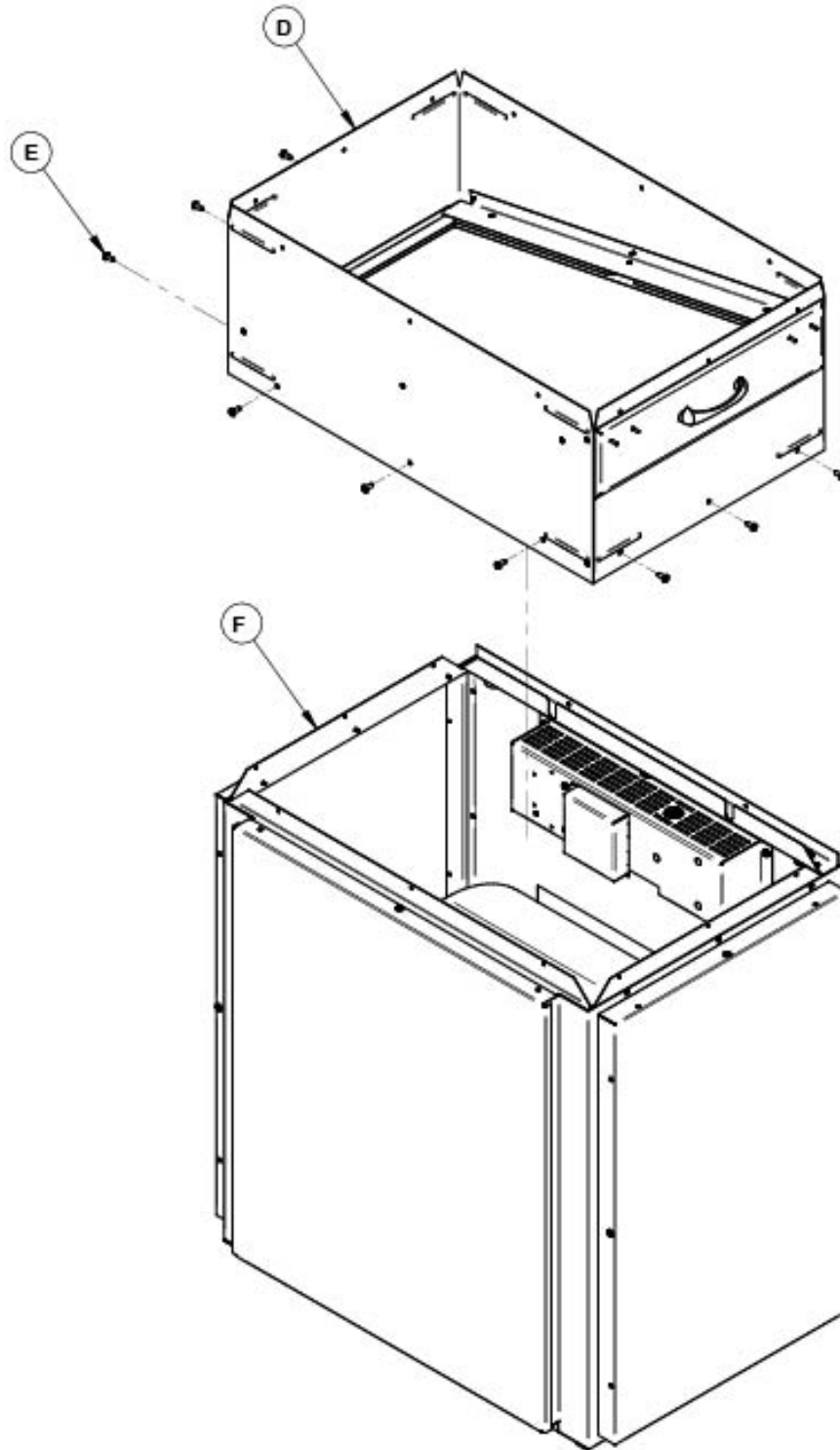
Step 1: Unscrew the six screws (C) to remove the panel (B) located at the back of the furnace to install the blower box assembly. Remove the gasket (A) and discard.



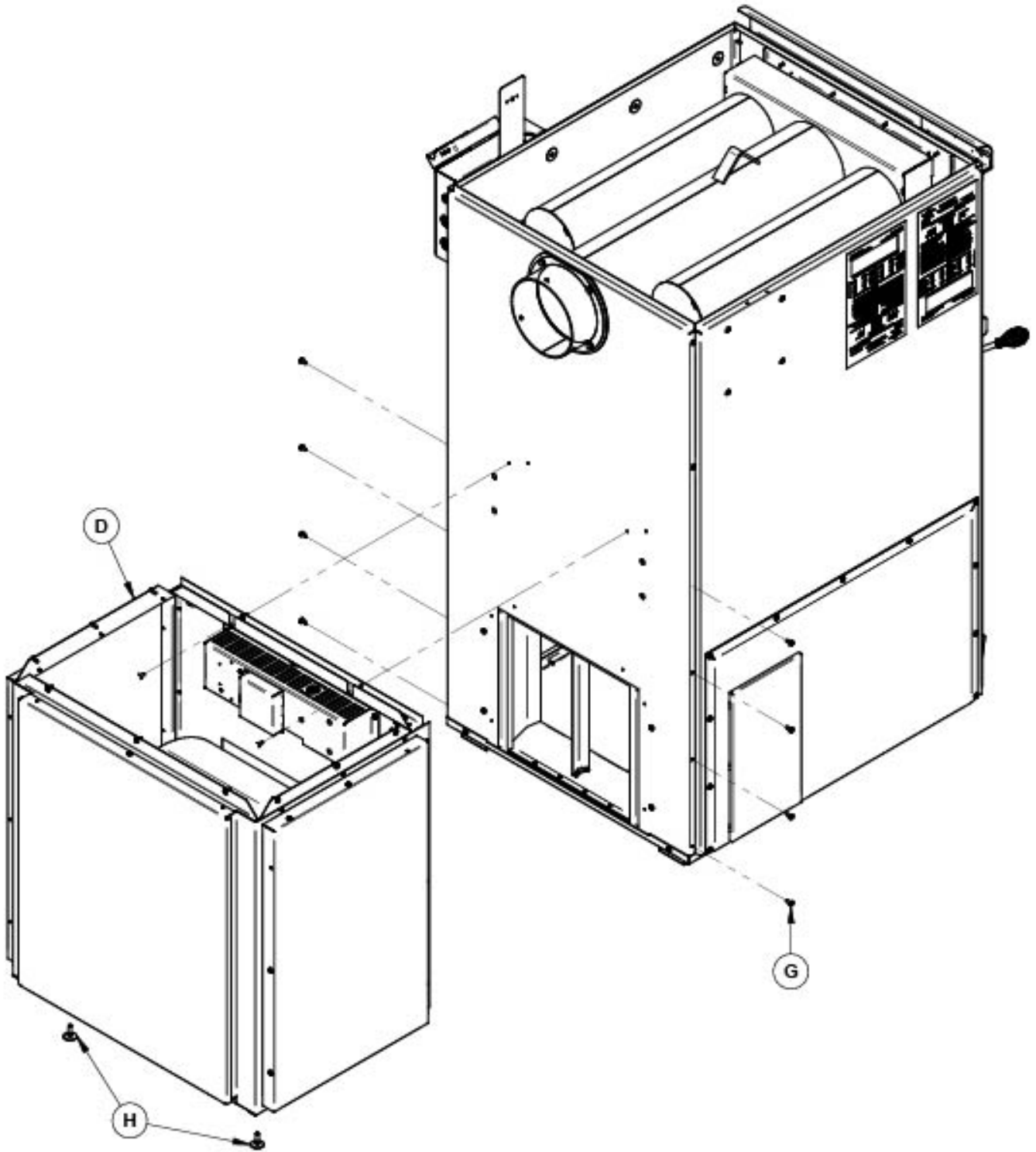
Step 2: Unscrew the eight screws (G) on the furnace, as shown. Keep.



Step 3: Unscrew the screws (E) securing the duct support assembly (D) to the blower box assembly (F) as shown. Remove the duct support. Keep.



Step 4: Install the elevator bolts (H), provided with the user's manual, under the blower box assembly in the holes intended for this purpose. Secure the blower box (D) to the furnace with the screws (G) removed in **Step 2**. Level your blower box using the elevator bolts.



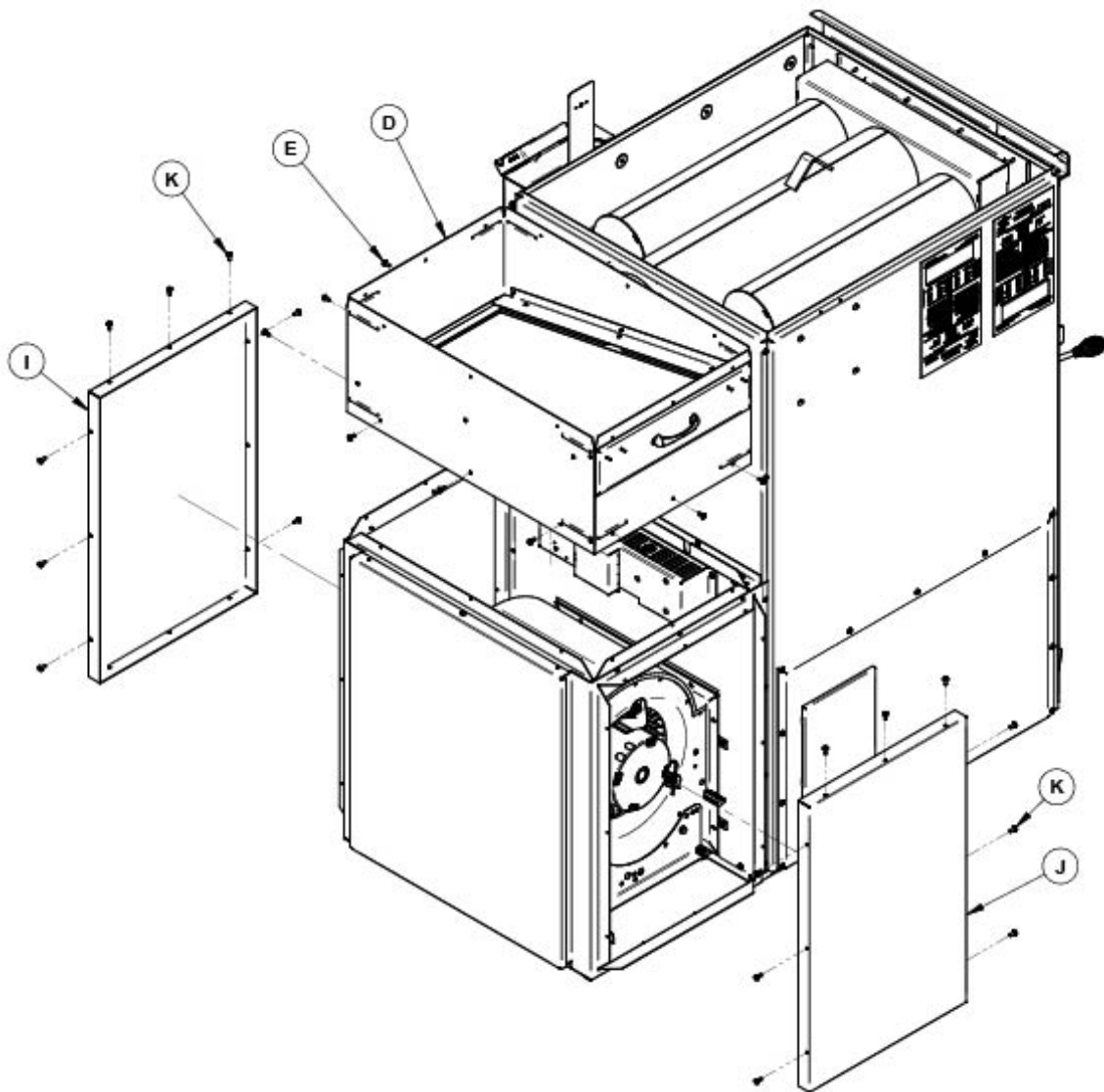
2 DUCT SUPPORT INSTALLATION

Step 5: You can install the duct support on **TOP**, on the **RIGHT** side or on the **LEFT** side of the blower box.

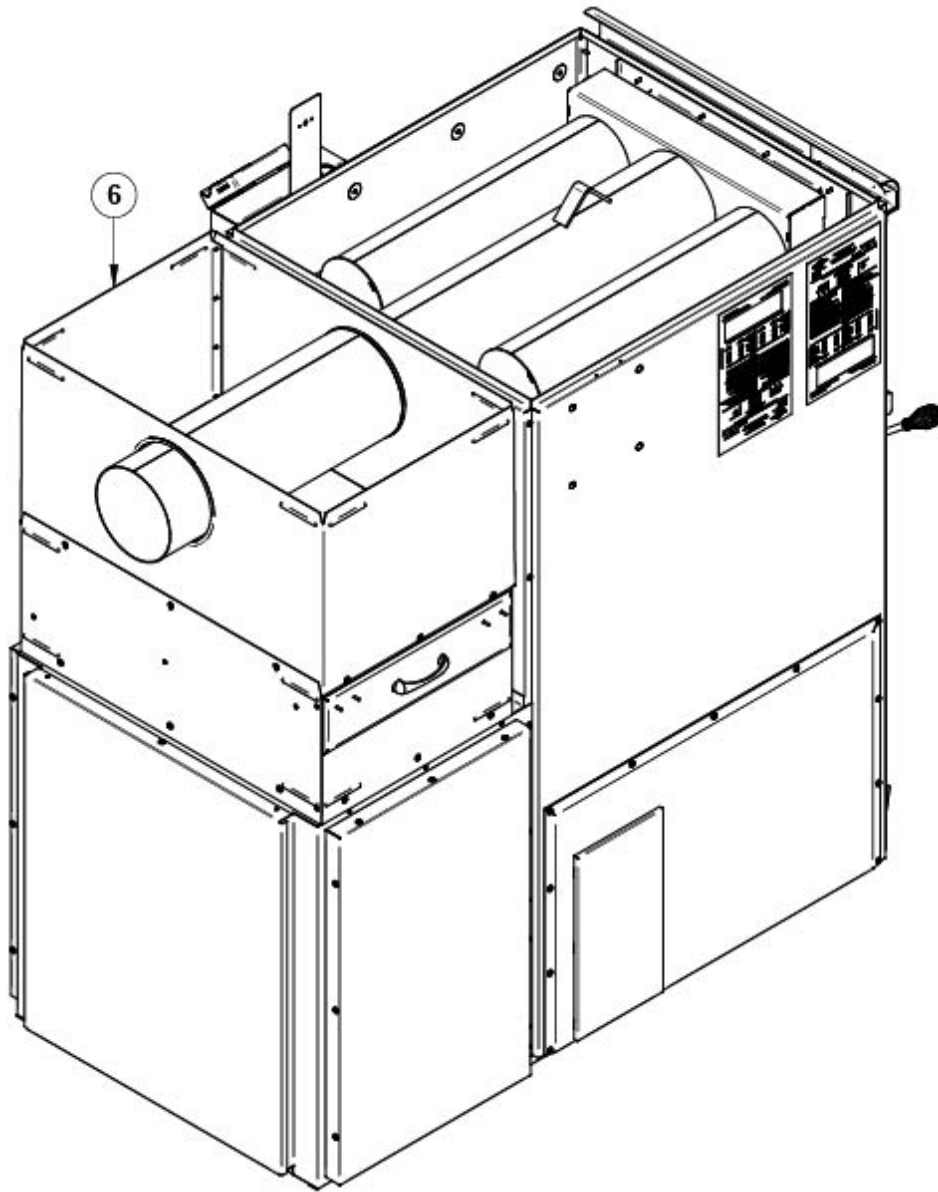
IMPORTANT: if you decide to install the duct support on top, you will need to purchase and install the cold air plenum kit PA08505, sold separately.

2.1 Installation on TOP

Secure the blower box side panels (I and J) to the blower box with screws (K) provided. Then, secure the duct support (D) on top of the blower box with screws (E) kept from **Step 3**, as shown.

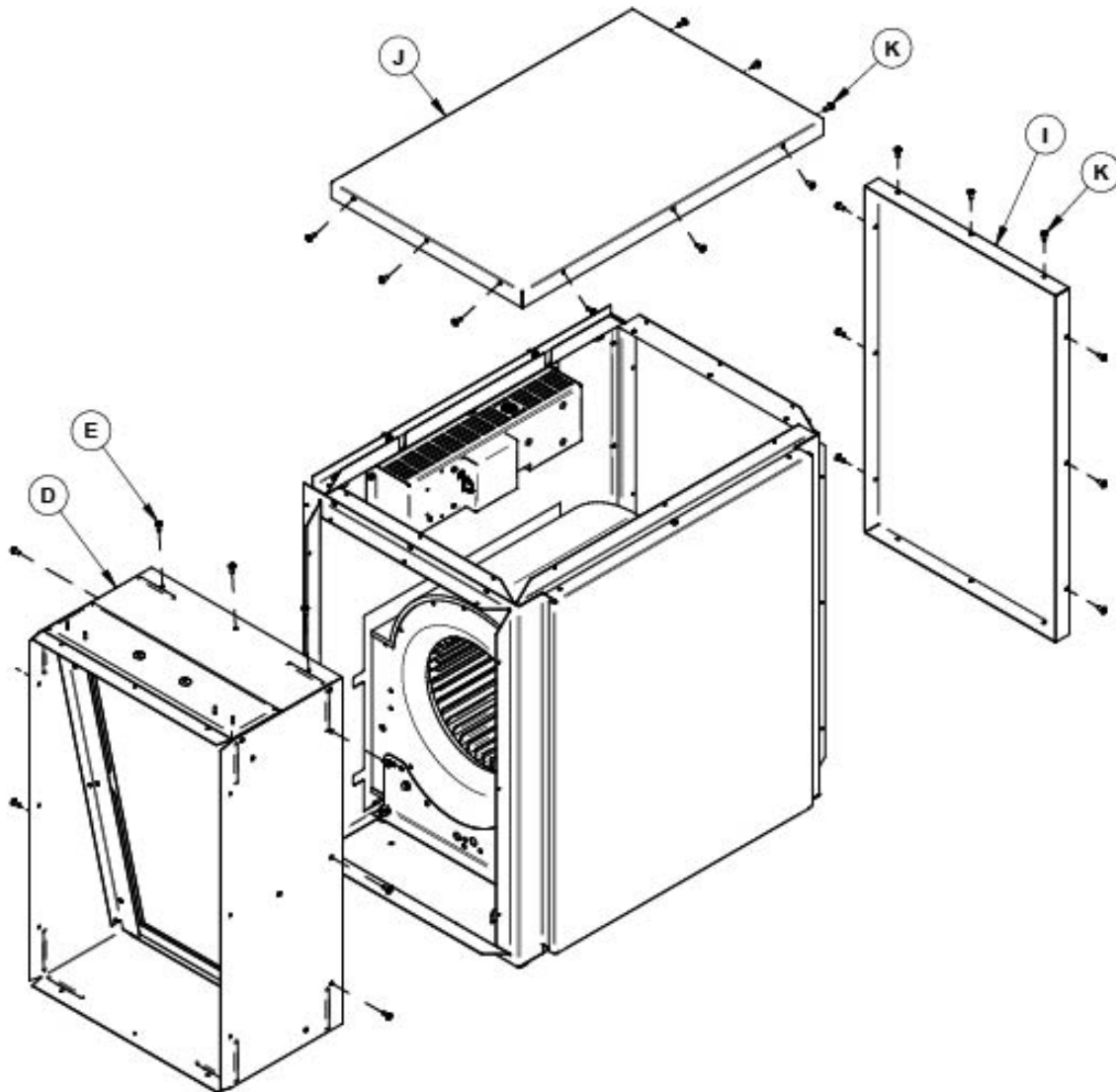


Once the duct support is installed, you can install the cold air plenum support PA08505 (6). Installation instructions are provided with the kit, sold separately.



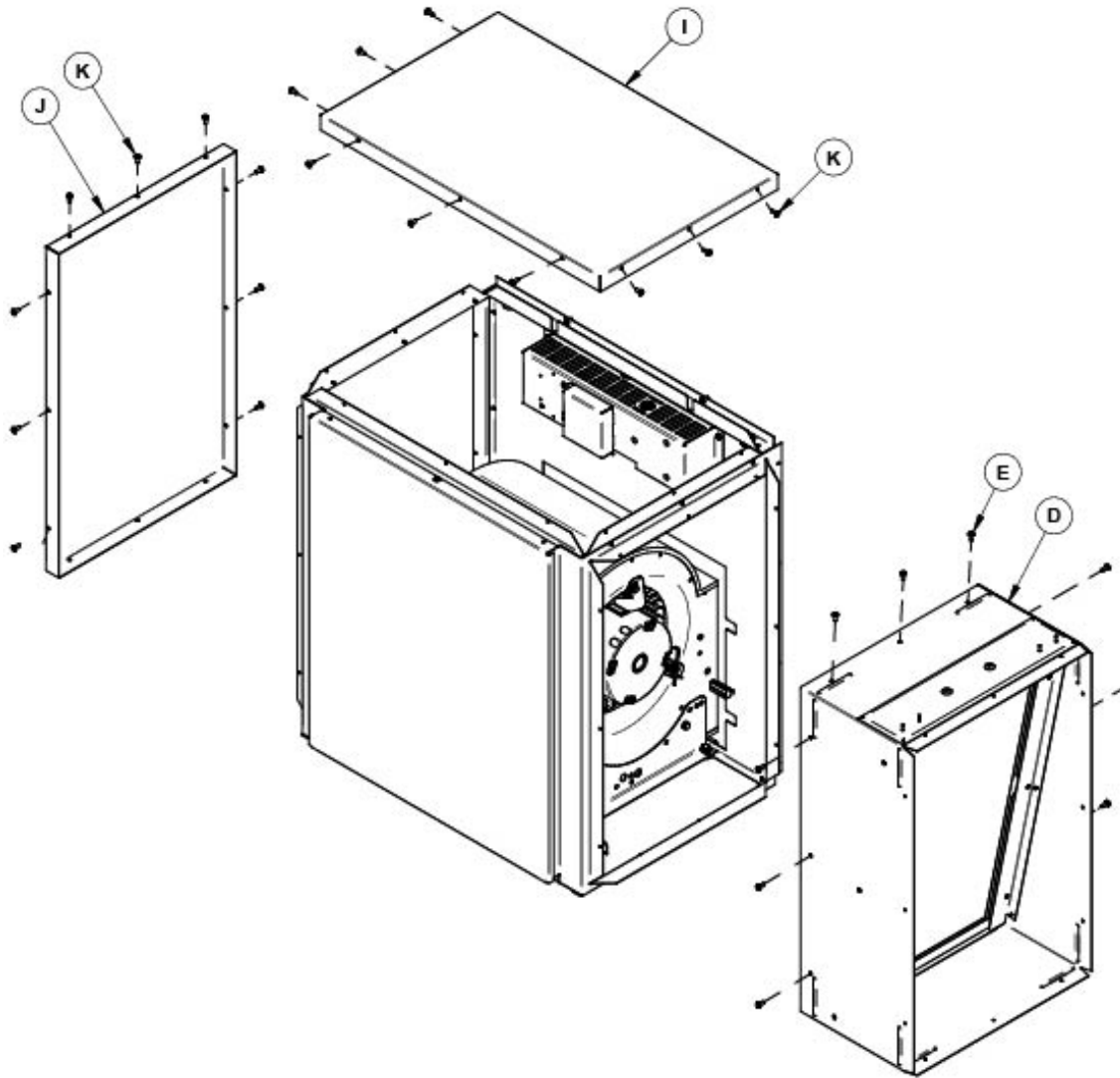
2.2 Installation on the RIGHT side

Secure the right blower box side panel (J) on top of the blower box with screws (K) provided. Secure the left blower box side panel (J) on top of the blower box with screws (K) provided. Finally, secure the duct support (D) on the right side of the blower box with screws (E) kept from **Step 3**, as shown.

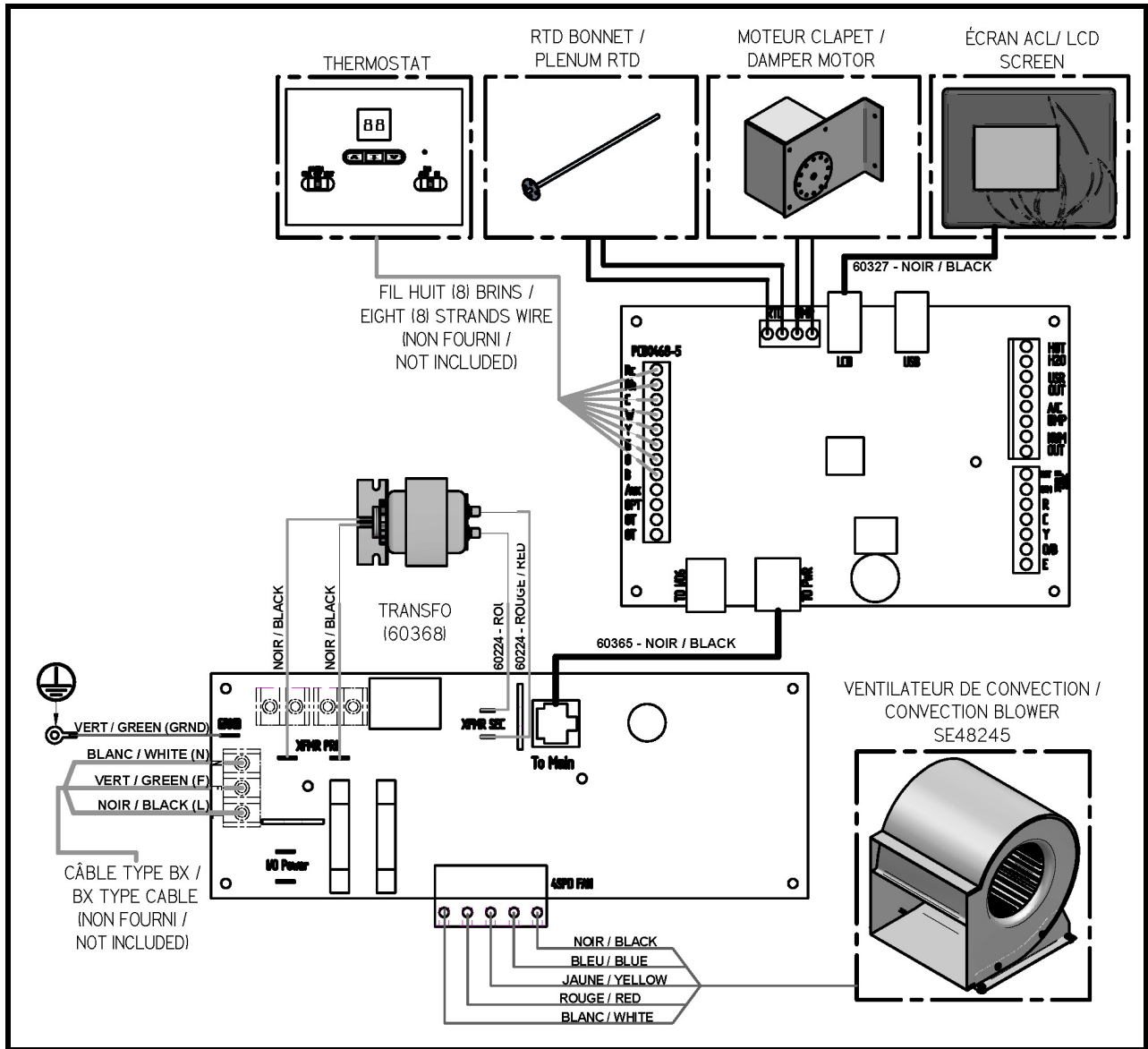


2.3 Installation on the LEFT side

Secure the left blower box side panel (J) on top of the blower box with screws (K) provided. Secure the right blower box panel (J) on top of the blower box with screws (K) provided. Finally, duct support (D) on the left side of the blower box with screws (E) kept from **Step 3**, as shown.



3 GENERAL ELECTRICAL WIRING DIAGRAM



4 BLOWER BOX DIMENSIONS

