



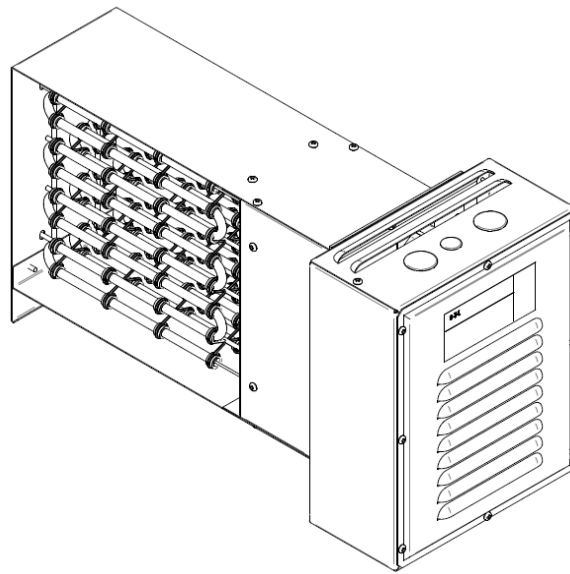
INSTALLATION INSTRUCTIONS FOR OPTIONAL ELECTRIC ELEMENT

PA01005
15 kW

PA01055
18 kW

PA01105
20 kW

CADDY FURNACE



Verified and tested for Canada and the United States by an accredited laboratory.



This manual is available for free download on the manufacturer's web site. It is a copyrighted document. Resale is strictly prohibited. The manufacturer may update this manual from time to time and cannot be responsible for problems, injuries, or damages arising out of the use of information contained in any manual obtained from unauthorized sources.



***Eco-energy at the hearth
of your home***

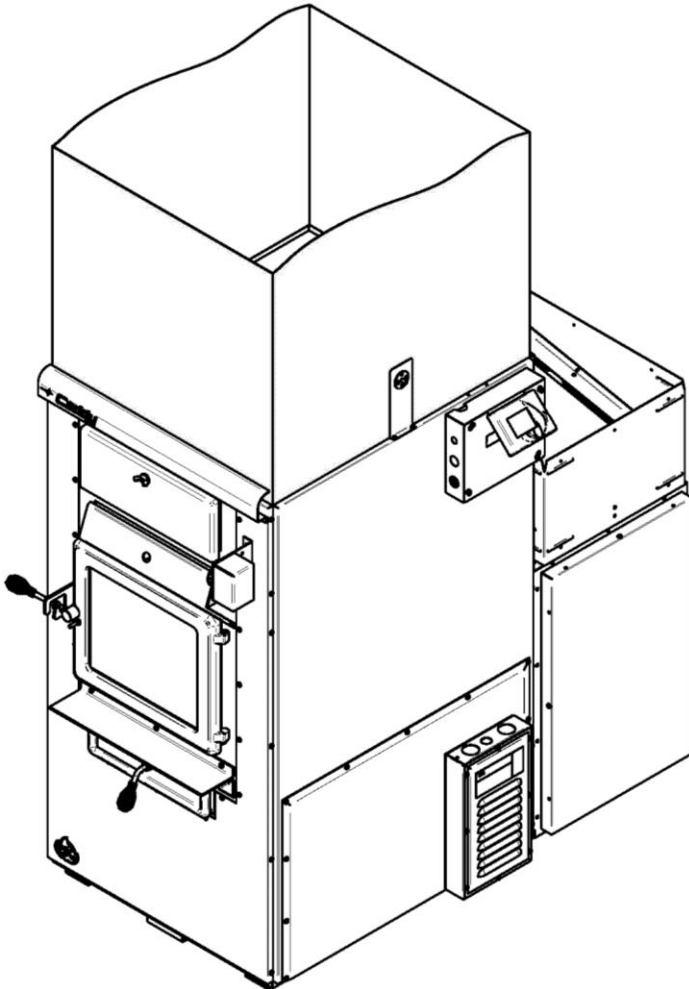
PSG
250, de Copenhague,
St-Augustin-de-Desmaures (Quebec)
CANADA G3A 2H3

OPTIONAL ELECTRIC ELEMENT INSTALLATION

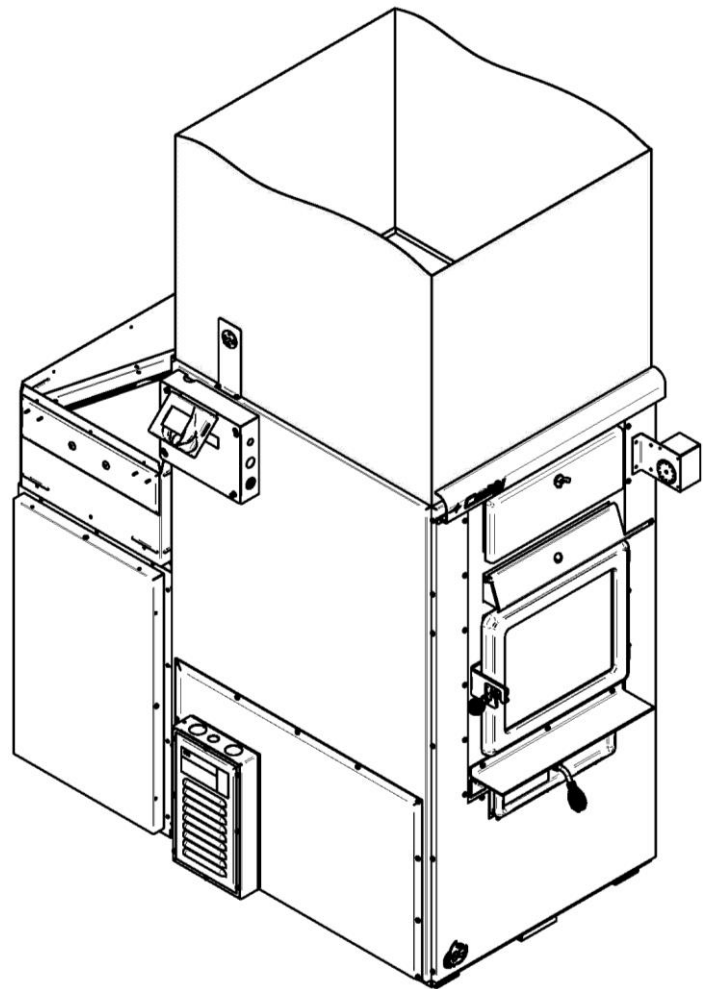
Your Caddy furnace can be installed with an optional electric element (15 kW, 18 kW or 20 kW). This option can be installed on either side of your furnace.

Installation must be done by a qualified technician.

Please note that the installation procedure is carried out in an identical way no matter which electric element is used or the chosen installation side (right or left).

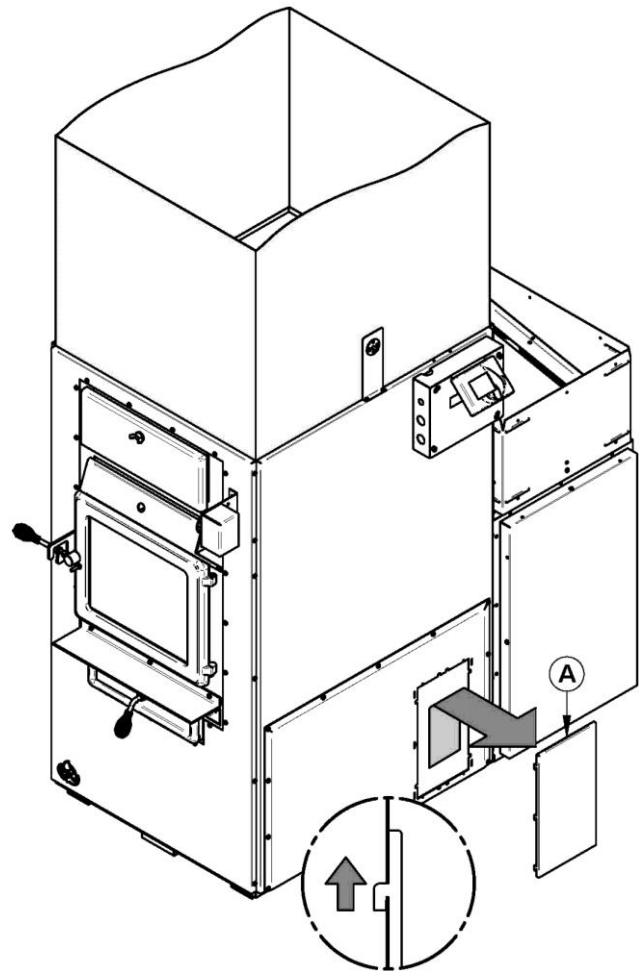


Right side installation

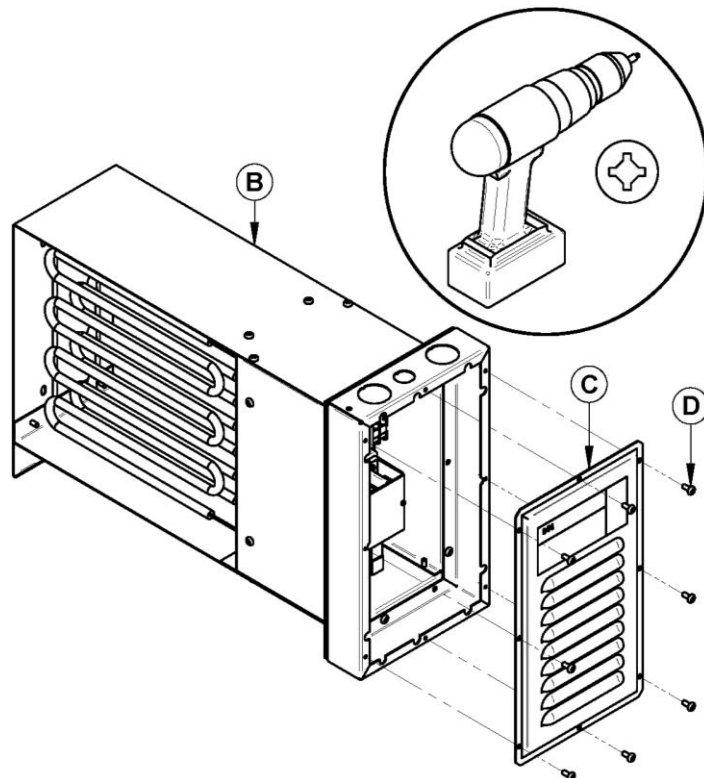


Left side installation

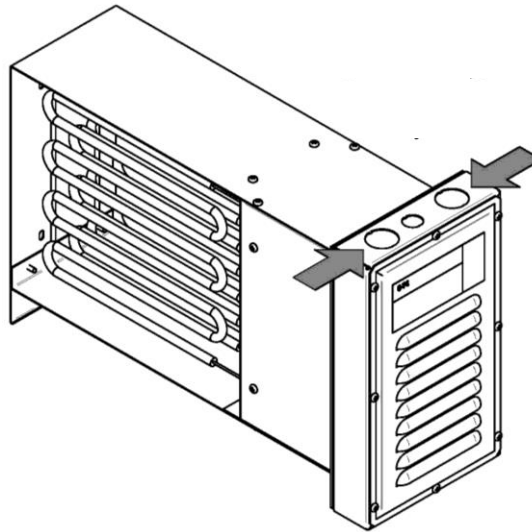
Remove cover for the electrical unit option **(A)** located on the desired side of the furnace by lifting the panel upward slightly and then pulling it toward you. You may dispose of the cover.



Remove the cover **(C)** of the electric element **(B)** by removing eight (8) screws **(D)**. Keep the screws.



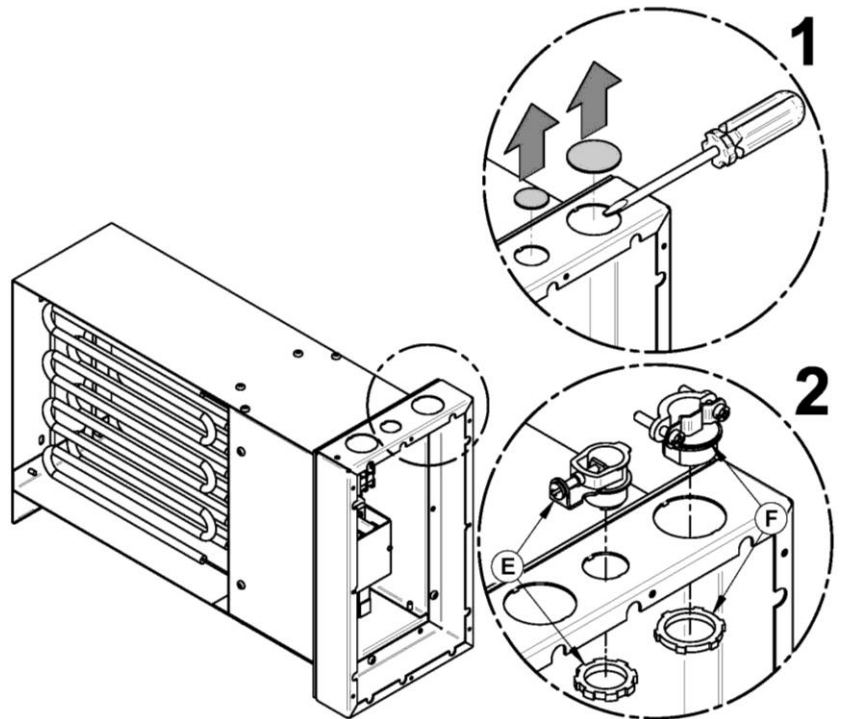
Choose on which side the power is supplied to the electric element.



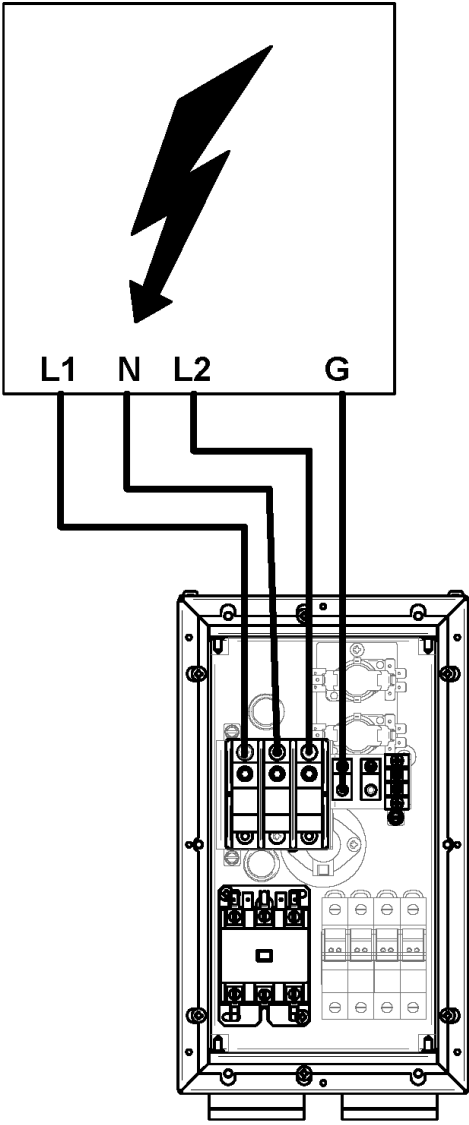
Remove the knockout on the chosen side and the middle one using a screwdriver.

Install a BX connector (**E** and **F**) in each opening (not provided).

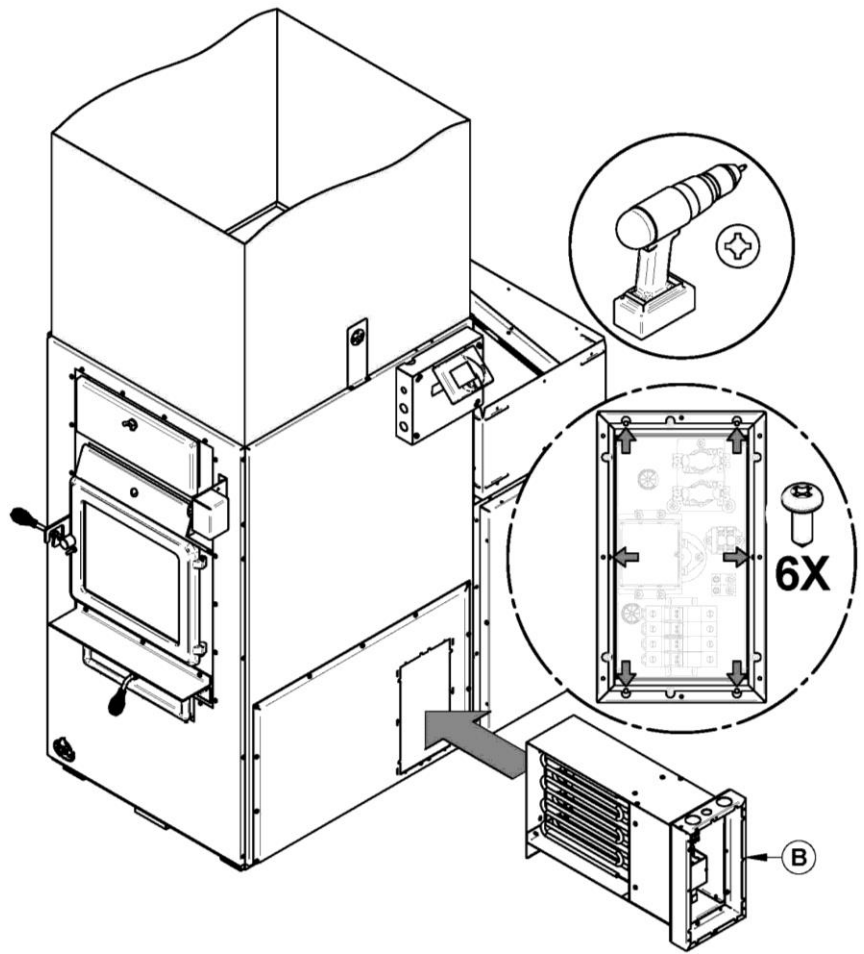
The middle opening is used to connect the power board of the furnace.



Connect the main power supply to terminals L1, L2, N and G located on the electrical element using the largest opening.

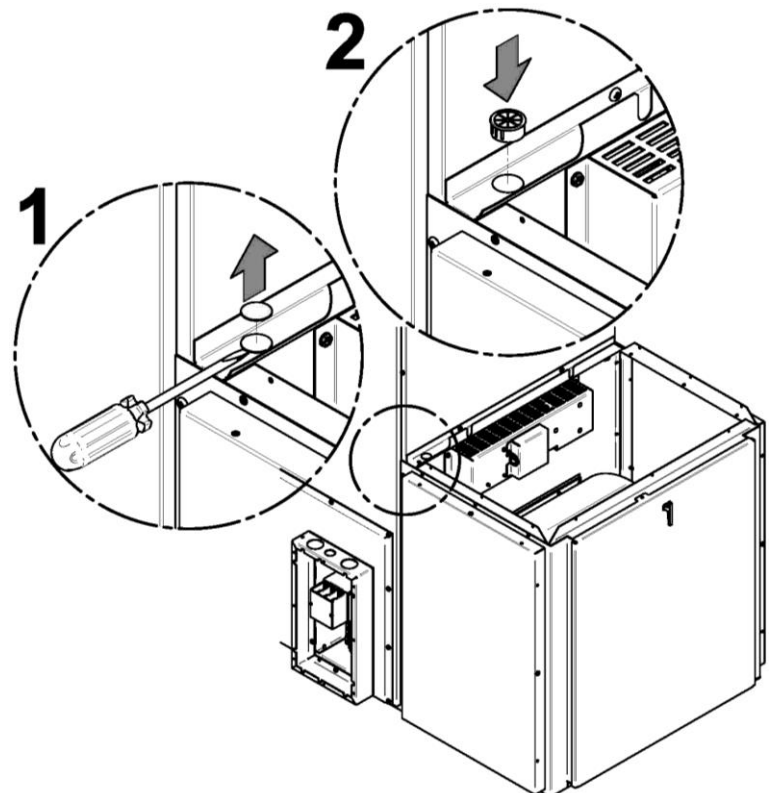


Install the electric element **(B)** in the furnace. Screw it in place with six (6) screws.

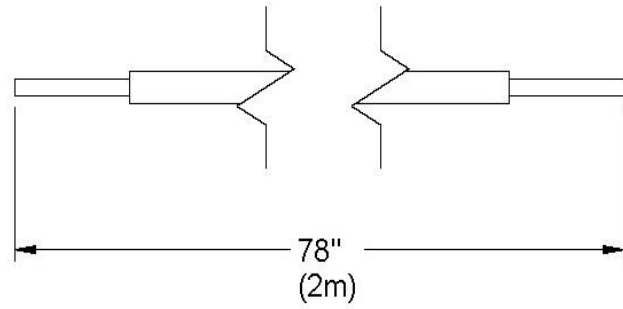


Remove the furnace knockout on the side where the electrical element is installed **(1)**.

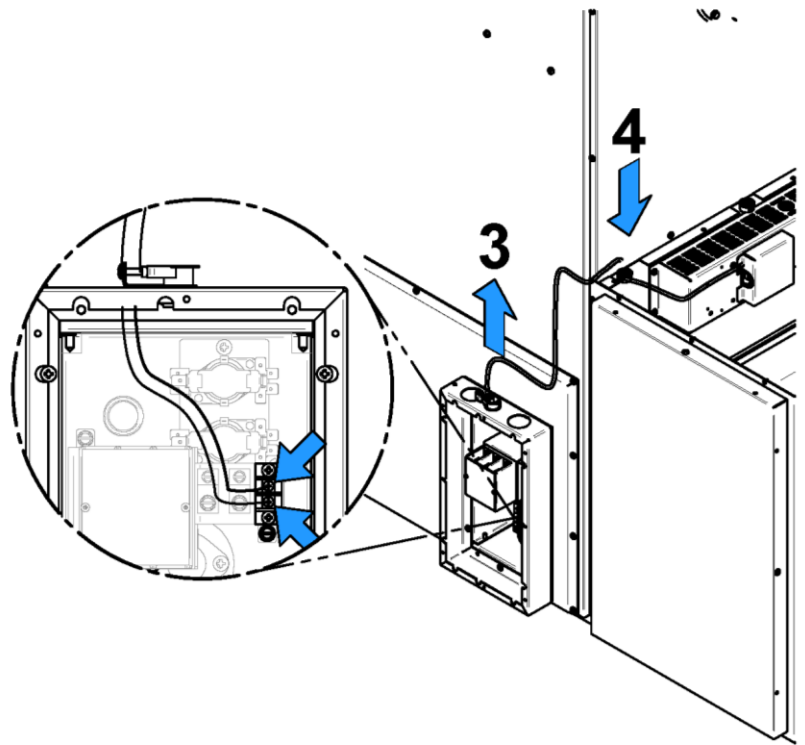
Install a grommet (not included) **(2)**.



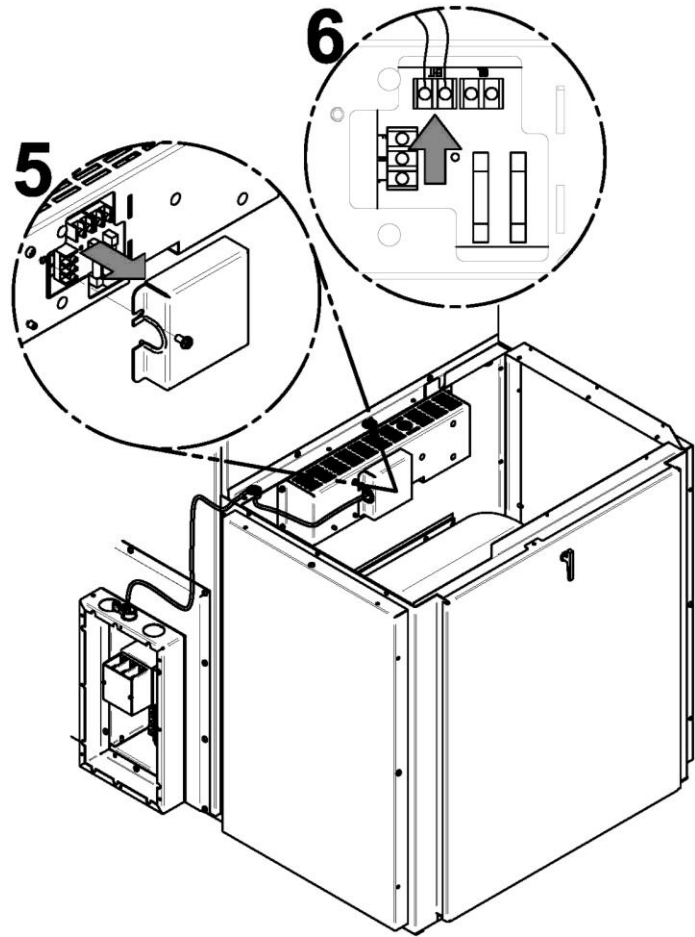
Use two wires (18ga) (not included).
Skinned at both ends.



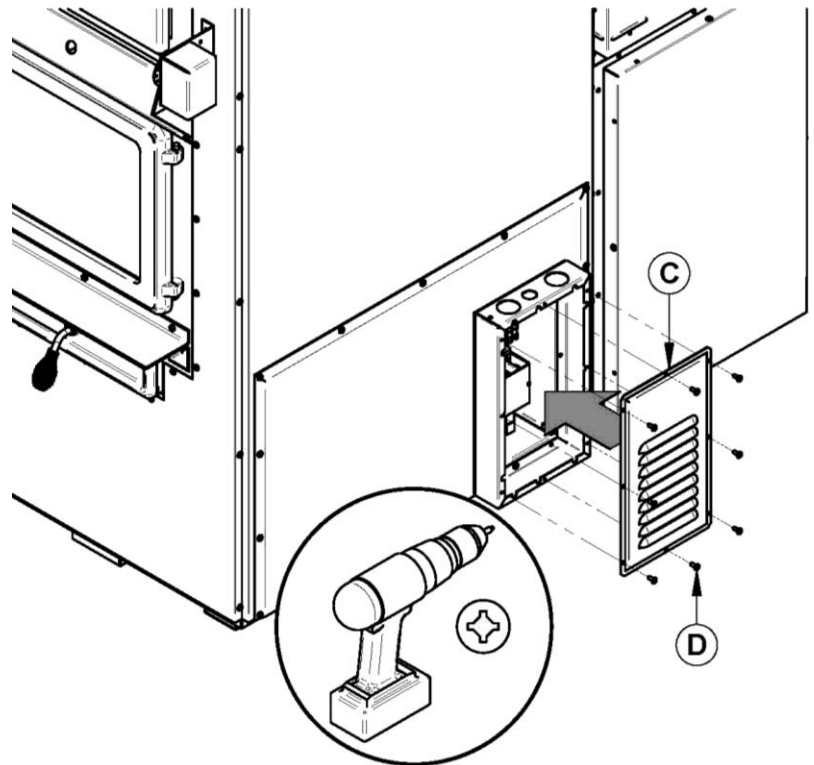
Connect the two wires on the terminal of
the electrical element. Pass them through
the BX connector **(3)** and in the grommet
of the furnace **(4)**.



Remove the cover of the power board which is in the fan box **(5)**. Connect the wires of the electric element on the terminal "EHT" of the power board **(6)**.



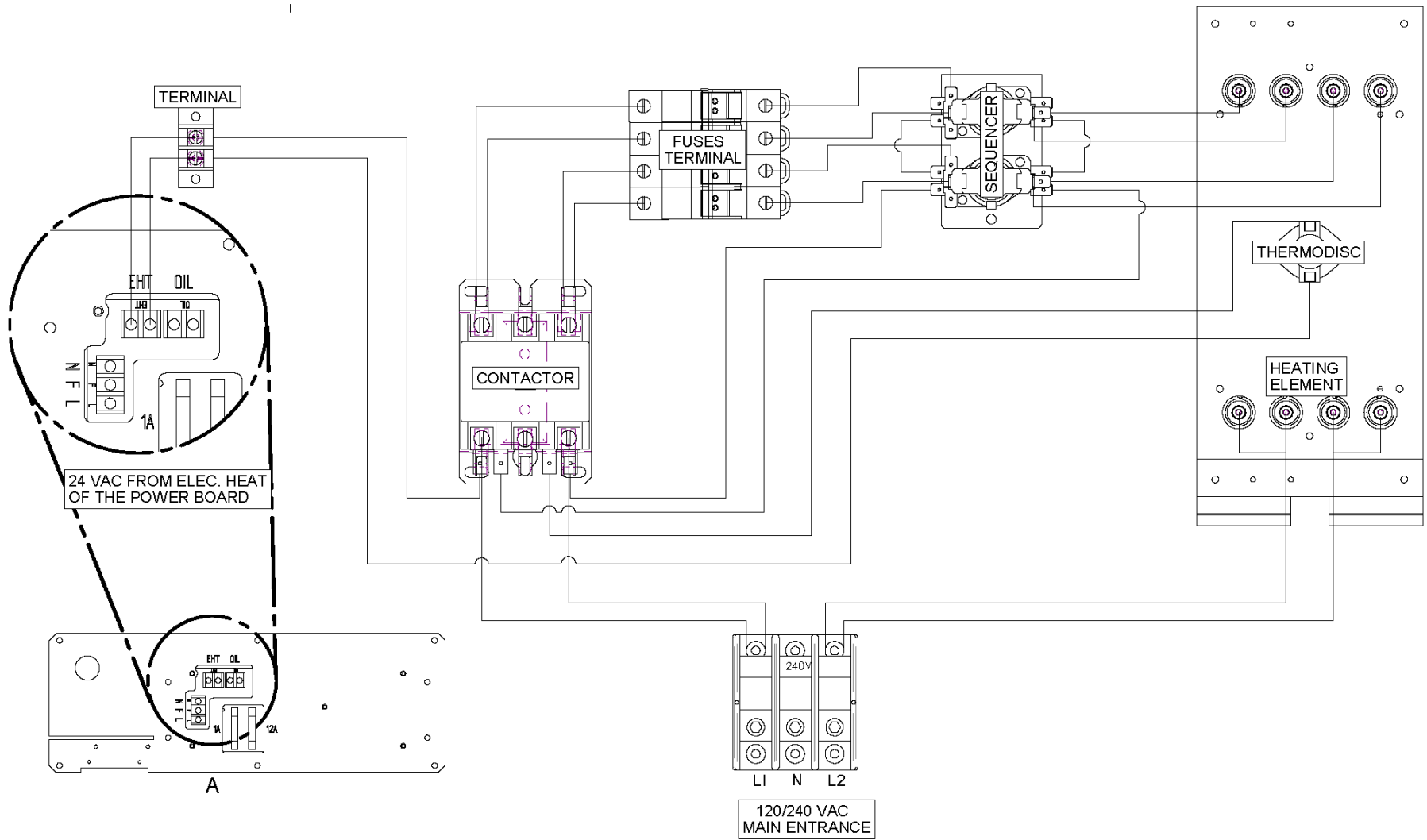
Replace the electric element cover **(C)** using the screws **(D)** kept earlier.



Please note that in order to use a single circuit breaker for the electrical unit and the power board; it is possible to hook up the power board from the electric element. When supplying the power of the power board from the electrical element, always use the inline fuse that is included with the electric element box.

TECHNICAL DATA – ELECTRIC MODE

MODEL	OUTPUT (CFM)	TEMP. VAR. (OF)	BTU/H	TOTAL AMPERAGE	BREAKER	ALIMENT. CALIBRE	VOLTAGE 1 PHASE	# OF ÉLÉMENTS
15 kW	950 1,300	50 36	51,195	75	100	4	120/240	3 – 5 kW
18 kW	950 1,300	60 44	61,434	87	125	4	120/240	2 – 5 kW, 2 – 4 kW
20 kW	950 1,300	67 49	68,260	95	125	3	120/240	4 – 5 kW



WIRING DIAGRAM FOR ELECTRIC UNIT