

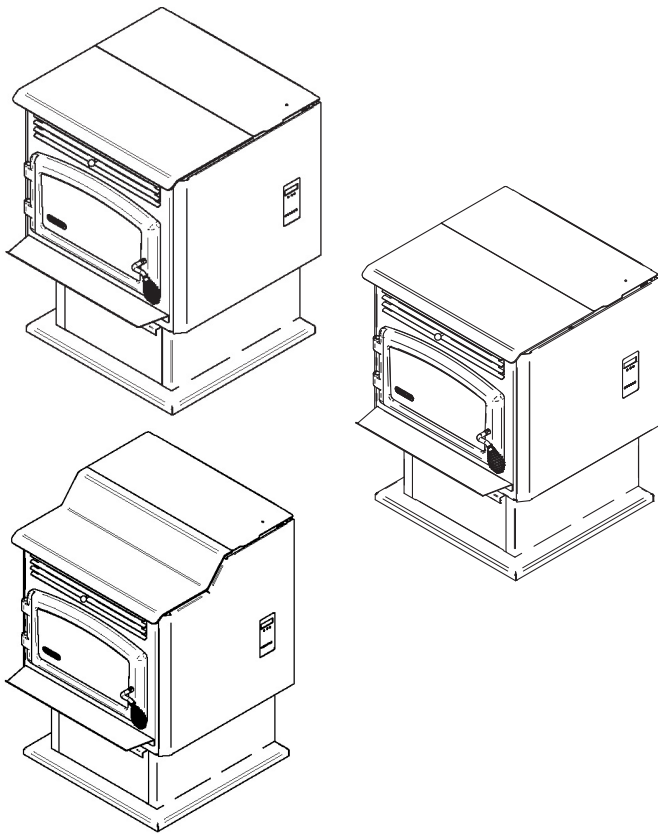


# INSTALLATION MANUAL

## ECO-55 / ECO-55 CT / ECO-55 ST

### (DP00070, DP00072 & DP00071 model)

Safety tested according to ULC S627 and ASTM E1509 by an accredited laboratory



ENGLISH

FRANÇAIS

**INSTALLATION BY A PROFESSIONAL  
IS STRONGLY RECOMMENDED**

**Stove Builder International inc.**  
250, rue de Copenhague,  
St-Augustin-de-Desmaures (Québec) Canada  
G3A 2H3

Customer service : 418-908-8002  
Email : [tech@sbi-international.com](mailto:tech@sbi-international.com)  
[www.drolet.ca](http://www.drolet.ca)

**CONTACT LOCAL BUILDING OR FIRE OFFICIALS ABOUT RESTRICTIONS AND INSTALLATION INSPECTION REQUIREMENTS IN YOUR AREA.**

**PLEASE READ THIS ENTIRE MANUAL BEFORE INSTALLATION AND USE OF THIS PELLET FUEL-BURNING ROOM HEATER. FAILURE TO FOLLOW THESE INSTRUCTIONS COULD RESULT IN PROPERTY DAMAGE, BODILY INJURY OR EVEN DEATH.**

**READ AND KEEP THIS MANUAL FOR REFERENCE**



This manual is available for free download on the manufacturer's website. It is a copyrighted document. Re-sale is strictly prohibited. The manufacturer may update this manual from time to time and cannot be responsible for problems, injuries, or damages arising out of the use of information contained in any manual obtained from unauthorized sources.

## 1. SAFETY INFORMATION

We highly recommend that our pellet burning hearth products be installed and serviced by professionals who are certified in the United States by NFI (National Fireplace Institute®) or in Canada by WETT (Wood Energy Technology Transfer) or in Quebec by APC (Association des Professionnels du Chauffage).

If this appliance is not properly installed, combustible materials near it may overheat. To reduce the risk of fire, follow the installation instructions in this manual exactly. Contact local building or fire officials about restrictions and installation inspection requirements in your area.

Please read this entire manual before you install and use your new stove. You may need to get a building permit for the installation of this appliance and the venting system that it is connected to. Consult your municipal building department or fire department before installation. We recommend that you also inform your home insurance company to find out if the installation will affect your policy.

### WARNING

**THIS STOVE IS NOT RECOMMENDED TO BE INSTALLED IN A BEDROOM.**

### WARNING

**IF THIS STOVE IS NOT PROPERLY INSTALLED, A HOUSE FIRE MAY RESULT. TO REDUCE THE RISK OF FIRE, FOLLOW THE INSTALLATION INSTRUCTIONS.**

### WARNING

**BURNING ANY SOLID FUELS GENERATES CARBON MONOXIDE IN LOW CONCENTRATION. THIS GAS IS EVACUATED BY THE EXHAUST VENTING SYSTEM. IN HIGHER CONCENTRATIONS, CARBON MONOXIDE IS TOXIC AND MAY CAUSE DEATH. TO PREVENT THIS, ENSURE THAT YOUR EXHAUST VENTING SYSTEM IS AIRTIGHT.**

### WARNING

**THIS STOVE IS MOBILE HOME APPROVED AND REQUIRES INSTALLATION OF A FRESH AIR KIT, SOLD SEPARATELY. THE STOVE MUST BE ATTACHED TO THE STRUCTURE OF THE MOBILE HOME AND THE STRUCTURAL INTEGRITY OF THE MOBILE HOME FLOOR, WALL, AND CEILING / ROOF MUST BE MAINTAINED. DO NOT INSTALL IN A SLEEPING ROOM.**

### CAUTION

**THIS STOVE MUST BE CONNECTED TO A STANDARD 120V / 60HZ, GROUNDED ELECTRICAL OUTLET. DO NOT USE AN ADAPTER PLUG OR SEVER THE GROUNDING PLUG. DO NOT ROUTE THE ELECTRICAL CORD UNDERNEATH, IN FRONT OR OVER THE STOVE.**

### NOTICE

Mixing of appliance components from different sources or modifying components is prohibited and will void the warranty. Any modification of the appliance that has not been approved in writing by the testing authority is prohibited and violates CSA B365 (Canada) and NFPA 211 (USA).

### NOTICE

When locating your appliance, make sure the vent will not interfere with any truss, roof beams, wall studs, water pipes or electrical wiring. It may be easier to relocate appliance than to rework the building structure.

### NOTICE

The information given on the certification label affixed to the stove always overrides the information published in any other media (owner's manual, catalogues, flyers, magazines or web sites).

### NOTICE

This stove has been developed and built for residential supplementary heat source. Commercial and industrial use is prohibited and will void the warranty.

### NOTICE

Stove Builder International inc. (SBI) grants no warranty, implied or stated, for the poor installation of your appliance and assumes no responsibility of any consequential damages.



This product can expose you to chemicals including carbon monoxide, which is known to the State of California to cause cancer, birth defects or other reproductive harm. For more information go to [www.P65warnings.ca.gov/](http://www.P65warnings.ca.gov/)

### WARNING

**DO NOT RESTRICT AIR CIRCULATION AROUND THE UNIT. AIR CIRCULATION AROUND THE UNIT IS IMPORTANT. IF AIR CIRCULATION IS LIMITED, THIS COULD INCREASE HEAT ON ADJACENT WALLS AND CEILING.**

### CAUTION

**NEVER USE GASOLINE, GASOLINE-TYPE LANTERN FUEL, KEROSENE, CHARCOAL LIGHTER FLUID, OR SIMILAR LIQUIDS TO START OR 'FRESHEN UP' A FIRE IN THIS HEATER. KEEP ALL SUCH LIQUIDS WELL AWAY FROM THE HEATER WHILE IT IS IN USE.**

### CAUTION

**DO NOT OPERATE THE STOVE WITH THE DOOR OPEN. THIS CAN RESULT IN LOSS OF EFFICIENCY, FIRE HAZARD, INCOMPLETE COMBUSTION, AND EXPOSURE TO CARBON MONOXIDE.**

### WARNING

**DO NOT INSTALL IN ANY FIREPLACE.**

### CAUTION

**MAINTAIN PROPER VENTILATION. IT IS IMPORTANT THAT ADEQUATE OXYGEN IS BEING SUPPLIED TO THE FIRE FOR PROPER COMBUSTION. DURING THE WINTER SEASON, MAKE SURE THAT THE FRESH AIR INTAKE IS FREE OF ANY ICE, SNOW, ETC., AS THIS WILL STARVE THE FIRE OF AIR AND PREVENT THE PROPER OPERATION OF THE STOVE. MAKE SURE THE FRESH AIR INTAKE BACKDRAFT SHUTTER WORKS FREELY.**

### CAUTION

**A SMOKE DETECTOR, A CARBON MONOXIDE DETECTOR AND A FIRE EXTINGUISHER SHOULD BE INSTALLED IN THE HOUSE. THE LOCATION OF THE FIRE EXTINGUISHER SHOULD BE KNOWN BY ALL FAMILY MEMBERS.**

**A SMOKE DETECTOR LOCATED IN THE PROXIMITY OF THE STOVE MAY BE ACTIVATED WHEN THE DOOR OF THE STOVE IS OPEN TO RELOAD OR TO STIR.**

# TABLE OF CONTENTS

<b>1. SAFETY INFORMATION .....</b>	<b>2</b>
<b>2. GENERAL FEATURES .....</b>	<b>5</b>
2.1 OVERALL DIMENSIONS (DP00070-DP00072) .....	5
2.2 OVERALL DIMENSIONS (DP00071).....	6
<b>3. CLEARANCES TO COMBUSTIBLE MATERIALS .....</b>	<b>7</b>
3.1 CLEARANCES TO COMBUSTIBLES MATERIALS, WALLS AND CEILING .....	7
3.2 FLOOR PROTECTION .....	8
<b>4. VENTING SYSTEM .....</b>	<b>9</b>
4.1 GENERAL .....	9
4.2 RECOMMENDATIONS .....	9
4.3 EQUIVALENT VENT LENGTH (EVL).....	9
4.3.1 RECOMMENDED EXHAUST VENTING DIAMETER .....	9
4.3.2 INSTALLATION COMPLIANCE.....	10
4.4 TERMINATION LOCATION.....	11
4.5 DIRECT VENT SYSTEM .....	12
4.6 INSTALLATION CONFIGURATION .....	12
4.6.1 THROUGH WALL INSTALLATION (MAIN FLOOR OR BASEMENT).....	12
4.6.2 THROUGH ROOF INSTALLATION .....	12
4.6.3 THROUGH A FACTORY BUILT CHIMNEY.....	13
4.6.4 THROUGH AN EXISTING MASONRY FIREPLACE.....	13
4.6.5 THROUGH AN EXISTING MASONRY CHIMNEY.....	14
<b>5. INSTALLING THE OPTIONAL HOPPER EXTENSION.....</b>	<b>14</b>
<b>6. MOBILE HOME INSTALLATION .....</b>	<b>15</b>
<b>7. INSTALLING A THERMOSTAT .....</b>	<b>15</b>
7.1 THERMOSTAT LOCATION .....	15
7.2 WIRED THERMOSTAT .....	16
7.3 WIRELESS THERMOSTAT .....	16
<b>8. COMBUSTION AIR SUPPLY .....</b>	<b>16</b>
8.1 SOURCES OF OUTSIDE COMBUSTION AIR .....	17
<b>9. APPLIANCE SET-UP .....</b>	<b>18</b>
9.1 GENERAL .....	18
<b>10. WIRING DIAGRAM .....</b>	<b>19</b>
<b>11. EXPLODED VIEWS AND PARTS LIST DP00070 AND DP00071 .....</b>	<b>20</b>

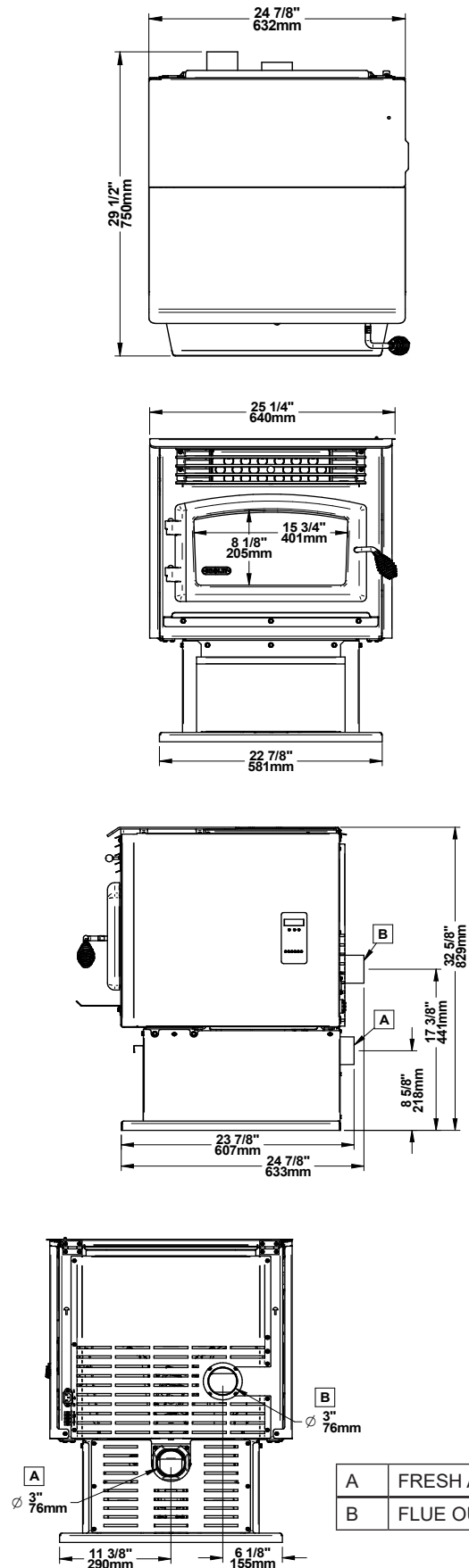


## 2. GENERAL FEATURES

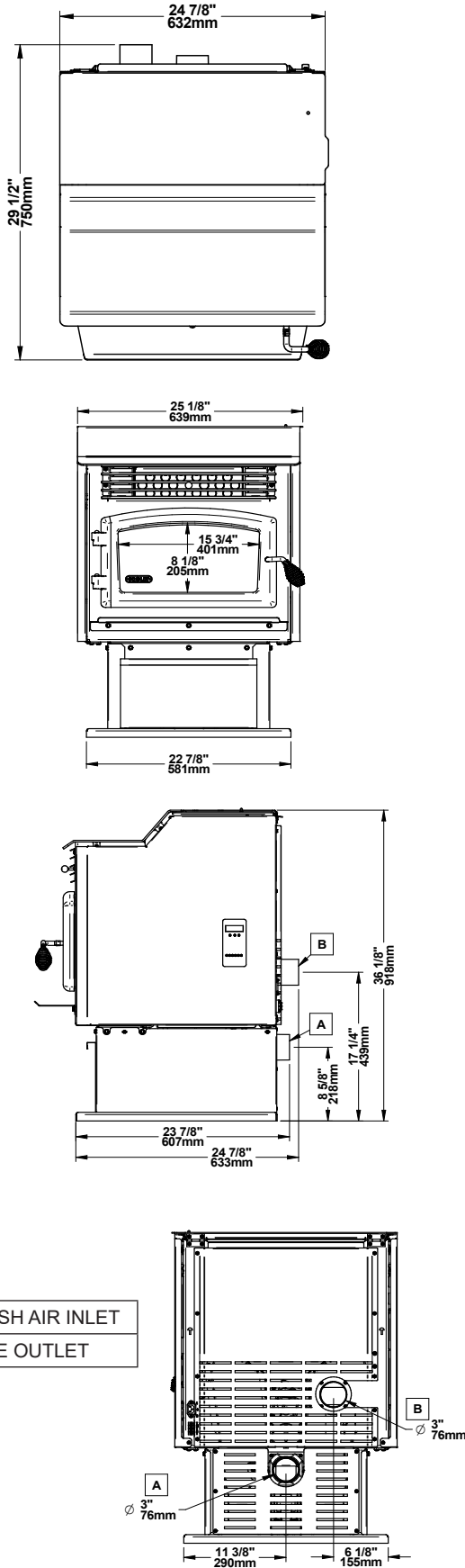
<b>Recommended chimney diameter</b>	3 in. (75mm)
<b>Flue outlet diameter</b>	3 in. (75mm)
<b>Type of chimney</b>	ULC/ORD-C441 CAN/ULC S609 UL 641 (TYPE L)
<b>Approved for alcove installation</b>	Yes
<b>Approved for mobile home installation ‡</b>	Yes
<b>Shipping weight (without option)</b>	277 lb (DP00070-DP00072) 286 lb (DP00071)
<b>Appliance weight (without option)</b>	235 lb (DP00070-DP00072) 242 lb (DP00071)
<b>Particulate emission standard</b>	CSA B415.1-10 ASTM E2779
<b>USA standard (safety)</b>	ASTM E1509
<b>Canadian standard (safety)</b>	ULC S627
<b>Electrical requirements</b>	Voltage and frequency 120VAC and 60Hz  Ignition : 3.02A

‡ Mobile home (Canada) or manufactured home (USA): The US department of Housing and Urban Development describes "manufactured homes" better known as "mobile homes" as followed; buildings built on fixed wheels and those transported on temporary wheels/axles and set on a permanent foundation. In Canada, a mobile home is a dwelling for which the manufacture and assembly of each component is completed or substantially completed prior to being moved to a site for installation on a foundation and connection to service facilities and which conforms to the CAN/CSA-Z240 MH standard.

## 2.1 OVERALL DIMENSIONS (DP00070-DP00072)



## 2.2 OVERALL DIMENSIONS (DP00071)



## 2.3 REGULATIONS COVERING PELLET STOVE INSTALLATION

When installed and operated as described in these instructions, this pellet stove is suitable for use as a freestanding heater in residential installations.

In Canada, the CSA B365 Installation Code for Solid Fuel Burning Appliances and Equipment and the CSA C22.1 Canadian National Electrical Code are to be followed in the absence of local code requirements.

In the USA, the ANSI NFPA 211 Standard for Chimneys, Fireplaces, Vents and Solid Fuel-Burning Appliances and the ANSI NFPA 70 National Electrical Code are to be followed in the absence of local code requirements.

This stove must be connected to a pellet vent system complying with the requirements for Pellet Vent in the standards UL 103, UL 641, ULC S629M, CAN/ULC S609 and ULC/ORD C441 or to a code-approved masonry chimney with a stainless steel flue liner.

## 2.4 CERTIFICATION LABEL LOCATION

Since the information given on the certification label affixed to the stove always overrides the information published in any other media (owner's manual, catalogues, flyers, magazines or web sites), it is important to refer to it in order to have a safe and compliant installation. In addition, you will find important information about your stove (model, serial number, etc.). You will find the certification label on the inner side of the hopper lid of the stove.

### CAUTION

**DO NOT USE MAKESHIFT MATERIALS OR MAKE ANY COMPROMISES WHEN INSTALLING THIS STOVE.**

### 3. CLEARANCES TO COMBUSTIBLE MATERIALS

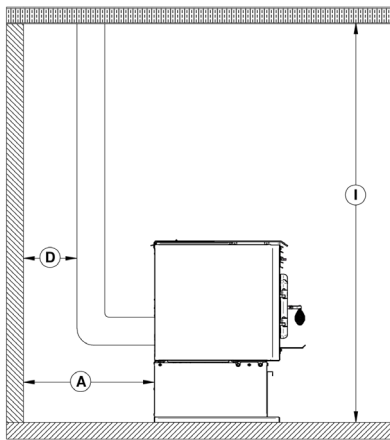
The clearances shown in this section applies to DP00070, DP00072 and DP00071.

The clearances shown in this section have been determined by tests according to procedures set out in safety standards ULC S627 (Canada) and ASTM E1509 (U.S.A). When the pellet stove is installed so that its surfaces are at, or beyond, the minimum clearances specified, combustible surfaces will not overheat under normal and even abnormal operating conditions.

#### NOTICE

The following clearances are **also valid for an alcove installation**. However, if the stove is installed in an alcove, to perform maintenance, you should expect to move the appliance to get to the maintenance access doors and components.

#### 3.1 CLEARANCES TO COMBUSTIBLES MATERIALS, WALLS AND CEILING



MINIMUM CLEARANCES		
	CANADA	USA
<b>A*</b>	3" (76 mm)	3" (76 mm)
<b>D</b>	Note 1	Note 1
<b>I**</b>	48" (1 220 mm)	48" (1 220 mm)

\*From the rear panel

\*\*Measured from the platform on which the product is installed.

#### RECOMMENDED CLEARANCES FOR MAINTENANCE

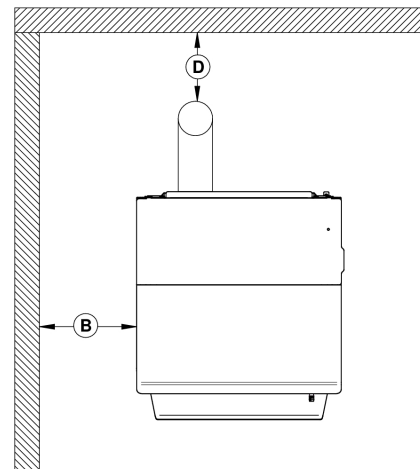
	CANADA	USA
<b>A*</b>	12" (305 mm)	12" (305 mm)

#### WARNING

**NO PART OF THE PELLET VENT SYSTEM MAY BE LOCATED CLOSER TO COMBUSTIBLES THAN THE MINIMUM CLEARANCES SPECIFIED BY THE VENT MANUFACTURER.**

#### WARNING

**NO PART OF THE STOVE MAY BE LOCATED CLOSER TO COMBUSTIBLES THAN THE MINIMUM CLEARANCES SPECIFIED ON THE CERTIFICATION LABEL.**



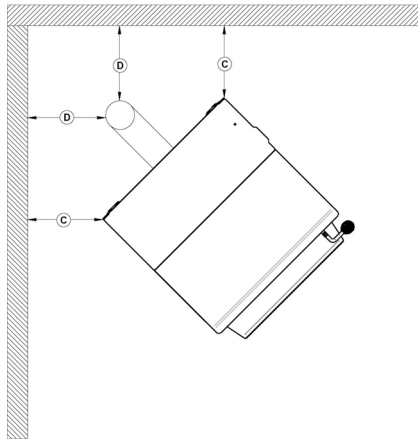
#### MINIMUM CLEARANCES

	CANADA	USA
<b>B</b>	6" (152 mm)	6" (152 mm)
<b>D</b>	Note 1	Note 1

#### RECOMMENDED CLEARANCES FOR MAINTENANCE

	CANADA	USA
<b>B</b>	24" (610 mm)	24" (610 mm)

**Note 1 : Refer to the exhaust venting system manufacturer's instructions for clearances to combustible materials.**

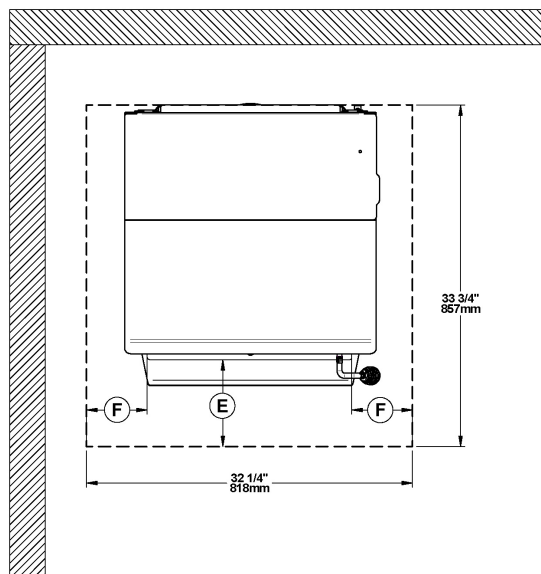


MINIMUM CLEARANCES		
	CANADA	USA
<b>C</b>	3" (76 mm)	3" (76 mm)
<b>D</b>	Note 1	Note 1

RECOMMENDED CLEARANCES FOR MAINTENANCE		
	CANADA	USA
<b>C</b>	12" (305 mm)	12" (305 mm)
<b>D</b>	Note 1	Note 1

**Note 1 :** Refer to the exhaust venting system manufacturer's instructions for clearances to combustible materials.

### 3.2 FLOOR PROTECTION



FLOOR PROTECTION		
	CANADA**	USA
<b>E</b>	6" (152 mm) From door opening	6" (152 mm) From door opening
<b>F</b>	6" (152 mm) From door opening	6" (152 mm) From door opening

**CAUTION**

**THE STOVE MUST BE PLACED ON A CONTINUOUS (GROUTED JOINTS) NONCOMBUSTIBLE MATERIAL SUCH AS CERAMIC TILE\*, CEMENT BOARD, BRICK, MILLBOARD OR EQUIVALENT, OR ANY OTHER APPROVED OR LISTED MATERIAL SUITED FOR FLOOR PROTECTION.**

*\*Any type of tile will require a continuous non combustible sheet beneath to prevent the possibility of embers falling through to the combustible floor if cracks or separation should occur in the finished surface, this would include floor protection for built-in raised hearths. Check local codes for approved alternatives.*

*\*\*You may reduce the floor protection requirements to the values shown in the previous table ONLY if the following actions are respected: Allow for the appliance to shut-down and fire to be extinguished. Once completely cool and all blowers have stopped you may proceed with opening the firebox or ash door. Otherwise, see CSA B365.*



## 4. VENTING SYSTEM

**CAUTION**

**CONNECT THIS STOVE ONLY TO A LISTED PELLET EXHAUST VENTING SYSTEM FOR USE WITH SOLID FUEL OR TO A LINED CHIMNEY CONFORMING TO NATIONAL AND LOCAL BUILDING CODES.**

**CAUTION**

**DO NOT CONNECT THIS STOVE TO ANY OTHER EXISTING VENTING SYSTEM SERVING ANOTHER APPLIANCE.**

**CAUTION**

**THE VENTING SYSTEM MUST BE COMPLETELY AIRTIGHT AND PROPERLY INSTALLED. ALL VENT CONNECTOR JOINTS MUST BE SEALED AND FASTENED IN ACCORDANCE WITH THE PELLET VENT MANUFACTURER'S INSTRUCTIONS TO ENSURE CONSISTENT PERFORMANCE AND AVOID SMOKE AND ASH SPILLAGE..**

**CAUTION**

**DO NOT INSTALL A FLUE DAMPER IN THE EXHAUST VENTING SYSTEM OF THIS UNIT.**

**CAUTION**

**DO NOT CONNECT TO OR USE IN CONJUNCTION WITH ANY AIR DISTRIBUTION DUCTWORK.**

**CAUTION**

**THE VENTING SYSTEM SHOULD BE CHECKED, AT LEAST TWICE A YEAR FOR ANY BUILDUP OF SOOT OR CREOSOTE.**

### 4.1 GENERAL

Even though the chimney draft is mechanical, a suitable venting system will ensure a natural draft which will prevent smoke spillage in your home if a power outage occurs. Moreover, a suitable venting system configuration will help getting the best efficiency out of your stove when installed in accordance with the required EVL.

## 4.2 RECOMMENDATIONS

In Canada, we recommend that you use a listed pellet vent that meets the CAN/ULC S609 or ULC/ORD C441 Standard. A pellet vent listed to ULC S629M is also suitable for installation with this stove.

For the United States, we recommend that you use a listed pellet vent that meets the UL 641 Standard. A pellet vent listed to UL 103 is also suitable for installation with this stove.

This stove can be vented in an existing factory-built or masonry chimney with the addition of a stainless steel liner, provided the chimney is more than 4" in diameter. The liner should be listed and should meet the ULC S635 CAN/ULC S640 standard in Canada and the UL 1777 standard in the USA. Refer to the instructions provided by the vent manufacturer, especially when passing through a wall, ceiling or roof.

### 4.3 EQUIVALENT VENT LENGTH (EVL)

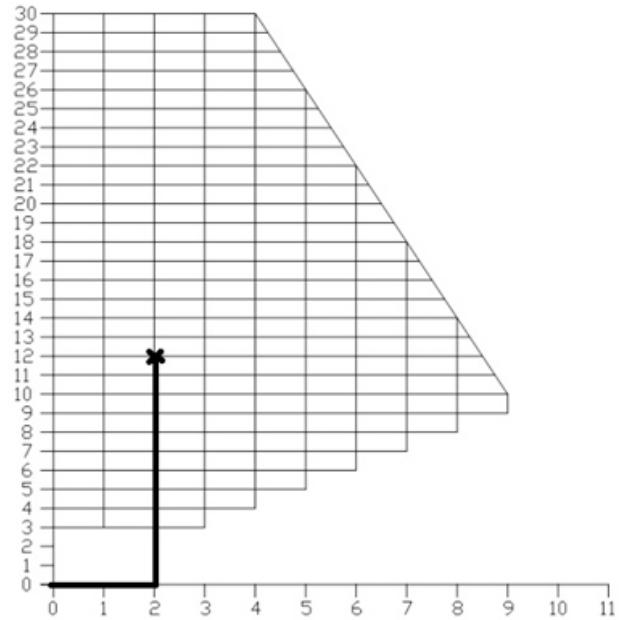
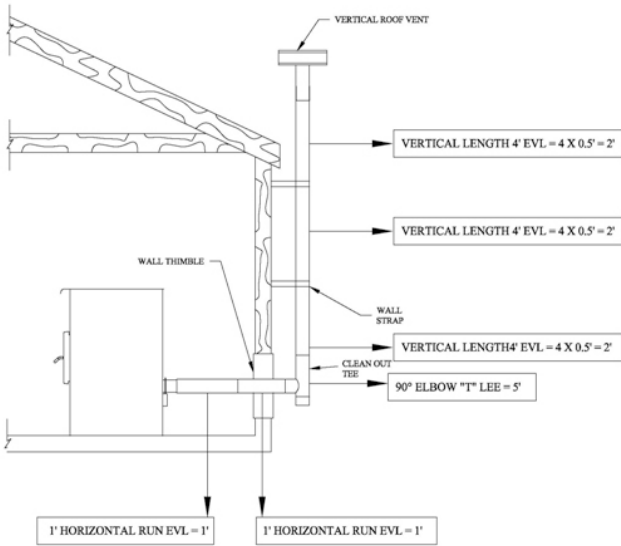
#### 4.3.1 RECOMMENDED EXHAUST VENTING DIAMETER

The recommended venting system inner pipe diameter is 3". Use a 4" pipe if you have more than 15 feet of Equivalent Vent Length (EVL).

To calculate the Equivalent Vent Length of your installation, use the following conversions:

Qty	Type of pipe	Equivalent vent length (EVL)
1	90° elbow or "Tee"	5 feet
1	45° elbow	3 feet
1 foot	horizontal pipe run	1 foot
1 foot	vertical pipe run	1/2 foot

Here is an example to help you calculate Equivalent Vent Length. On the following figure the EVL can be calculated like this:



2 feet of horizontal run (2 X 1' EVL)	= 2' of EVL
90° elbow or "Tee" (1 X 5' EVL)	= 5' of EVL
12 feet of vertical run (12' X 0.5' EVL)	= 6' of EVL
Termination cap	= 0' of EVL
<b>Total EVL</b>	<b>= 13' of EVL</b>

Since the total EVL is less than 15 feet, the recommended exhaust venting diameter is 3".

#### 4.3.2 INSTALLATION COMPLIANCE

To determine if your installation is compliant, the exhaust venting system must end within the grid on the venting system chart. The previous installation has 2 feet of horizontal run and 12 feet of vertical run. It is thus standard since the venting system ends in the gridded area.

#### CAUTION

- Horizontal runs shall not exceed 9 feet.
- Never exceed 30 feet of evl.

#### CAUTION

**TO REDUCE THE RISK OF SMOKE SPILLAGE THERE SHOULD ALWAYS BE AT LEAST ONE FOOT OF VERTICAL RISE FOR EACH FOOT OF HORIZONTAL RUN. IN ALL CASES, AT LEAST 3 FEET OF VERTICAL RISE IS NEEDED.**

#### WARNING

**TERMINATION OF A SIDEWALL VENT SHOULD BE LOCATED TO AVOID PERSONAL BURN INJURY, FIRE HAZARD AND INTERFERENCE WITH OR DAMAGE TO ADJACENT PROPERTIES. EXHAUST GASES CAN REACH TEMPERATURES OF 500°F (260°C) AND CAUSE SERIOUS BURNS.**

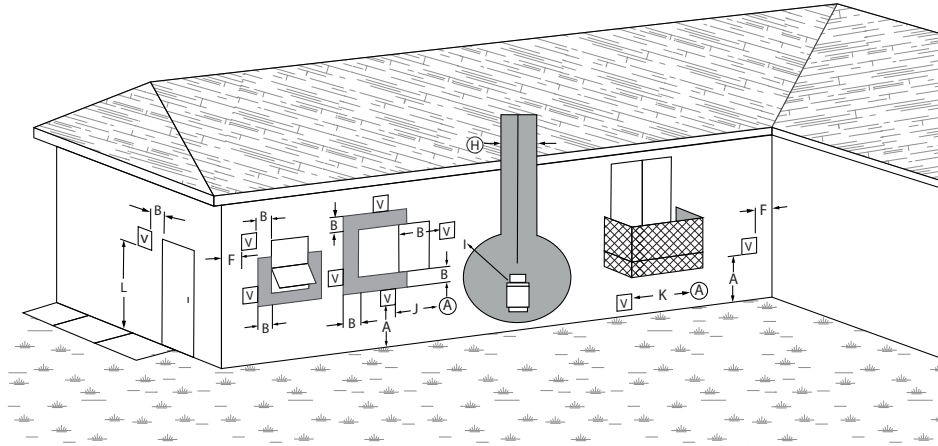
#### WARNING

**TERMINATION COLLAR (SPARK ARRESTER) IS MANDATORY AND MUST BE CLEAR OF ANY DEBRIS AT ALL TIME.**

## 4.4 TERMINATION LOCATION

### CANADA

Refer to NFPA 211 (USA) or CSA B365 (Canada) for rules for the distance of exit terminal from windows and openings. The exit terminal of a mechanical draft system, other than a direct vent appliance shall be located in accordance with the following.



	Min. Clearances	Description
<b>A</b>	12" (30 cm)	Clearances above grade level or any adjacent surface that might support snow, ice, or debris.
<b>B</b>	39" (100 cm)	Clearance to window or door that may be opened.
<b>F</b>	39" (100 cm)	Clearance to corner or adjacent wall or any combustible materials.
<b>H</b>	39" (100 cm)	Not to be installed above a meter/regulator assembly within 39" (100 cm) horizontally from the vertical center-line of the regulator and for 15' vertically.
<b>I</b>	72" (183 cm)	Clearance to gas service regulator vent outlet or within 39" (100 cm) of an oil tank vent or an oil tank fill inlet.
<b>J</b>	39" (100 cm)	Clearance to the combustion air inlet to any other appliance.
<b>K</b>	72" (183 cm)	Clearance to a mechanical air supply inlet.
<b>L</b>	84" (213 cm)	Clearance above paved side-walk or a paved driveway located on public property.
	39" (100 cm)	Clearance to property boundary.
		A vent shall not terminate underneath a veranda, porch, or deck.
		A vent shall not terminate directly above a sidewalk or a paved driveway which is located between two single family dwelling and serves both dwellings.

### United-States

- Not Less than 36" (91 cm) above any forced air inlet located within 120" (305 cm);
- Not Less than 48" (122 cm) below and horizontally from, or 12" (30 cm) above, any door, window or gravity air inlet into any building;
- Not Less than 24" (61 cm) from an adjacent building and not less than 84" (213 cm) above grade when located adjacent to a public walkway;
- Cannot be located less than 12" (30 cm) above grade;
- Cannot be located above a gas meter/regulator within 36" (91cm) horizontally of the vertical center line of the regulator;
- Not within 6 feet (183 cm) of a gas service regulator vent outlet;
- Other restrictions may apply. See NFPA 211 for further information.

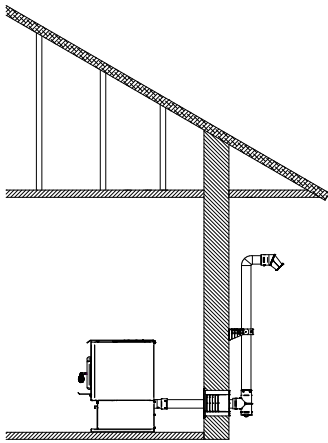
## 4.5 DIRECT VENT SYSTEM

**In Canada:** The permitted termination locations for a direct vent system are the same than those permitted with a regular pellet vent system.

**In the Unites States :** The permitted termination location for a direct vent system are the same than those permitted with a regular pellet vent system except for the following : The exit terminal shall be located not less than 9" (23 cm) from any opening through which vent gases could enter a building.

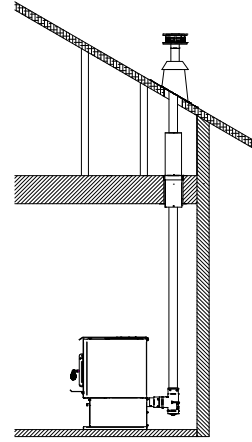
## 4.6 INSTALLATION CONFIGURATION

### 4.6.1 THROUGH WALL INSTALLATION (MAIN FLOOR OR BASEMENT)



1. Position appliance following clearances vent manufacturer's instructions.
2. Install a stove adapter or a stove adapter tee onto the appliance flue collar.
3. Locate the position of the exhaust pipe in the wall and cut a hole of the appropriate size for vent in the wall.
4. Install wall thimble as per vent manufacturer's instructions.
5. Ensure you install enough horizontal pipe length to exceed the exterior wall of 6 inches. Install a tee section to the pipe passing through the wall.
6. Run the vent vertically up the wall for at least 36". Refer to the vent manufacturer's instructions for clearances to combustible materials and installation of wall bands.
7. Install a 90 degrees elbow facing out from the wall and then attach a 45 degree elbow facing towards the ground. The termination of the vent must include a spark arrester, fastened to the 45 degrees elbow.
8. Sealed outside wall thimbles with high temperature waterproof silicone sealant.

### 4.6.2 THROUGH ROOF INSTALLATION



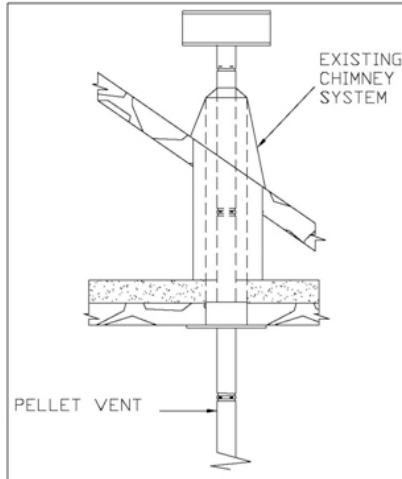
1. Position appliance following clearances and following vent manufacturer's instructions.
2. Install a stove adapter or a stove adapter tee onto the appliance flue collar. If necessary, use a horizontal additional length between the flue outlet and the tee.
3. Drop the plumb line over the center of the tee outlet and mark location on the ceiling.
4. Cut a hole for appropriate ceiling support. Frame rough opening.
5. Install ceiling support and the first vent section as per vent manufacturer's instructions.
6. Install a firestop radiation shield on any subsequent ceiling/floor, except for the attic where an attic insulation shield is required.
7. Run the necessary section of vent vertically so the rain cap exceeds the highest point of the roof at least 24" in United States and at least 36" in Canada.
8. Install roof support.
9. Install roof flashing and rain cap as per manufacturer's instructions. If necessary, install a storm collar.



#### 4.6.3 THROUGH A FACTORY BUILT CHIMNEY

##### NOTICE

Before installation, the chimney must be cleaned and inspected by a qualified chimney sweep or installer.



1. Position stove following clearances given and following vent manufacturer's instructions.
2. Install a stove adapter or a stove adapter tee onto the appliance flue collar. If necessary, use a horizontal additional length between the flue outlet and the tee.
3. Use a proper chimney adaptor for your installation.
4. Run the number of sections of vent necessary to go through the chimney adaptor into the chimney.
5. Connect the vent to a stainless steel 4" liner according to the vent manufacturer's instruction.
6. Install roof flashing and rain cap as per manufacturer's instructions. If necessary, install and seal a storm collar.

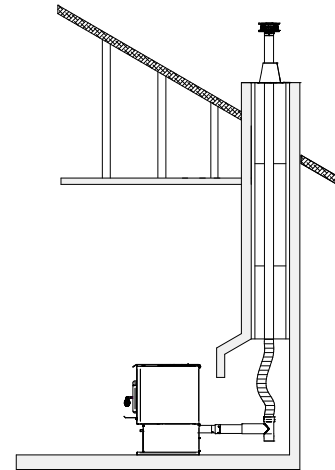
##### NOTICE

In the USA., the use of a stainless steel liner is mandatory. In Canada, it is not mandatory but is strongly recommended.

#### 4.6.4 THROUGH AN EXISTING MASONRY FIREPLACE

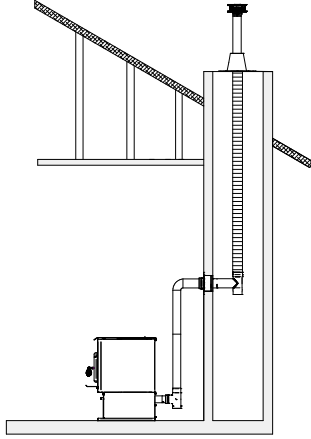
##### NOTICE

The structural condition of the masonry chimney must first be inspected by a qualified chimney sweep or installer. You will need a pipe length equal to the chimney height from the hearth. If outside combustion air is to be used, you will need a pipe length superior from 12 to 18 inches (30 to 46 cm) of the chimney height to ensure a proper stove behaviour.



1. Position stove, following clearances and following vent manufacturer's instructions.
2. Build and Install a blocking plate inside the chimney to seal the fireplace damper. Stainless steel plate and screws are recommended. Cut a hole for the exhaust pipe. If needed, cut a second hole for the air intake pipe.
3. Attach a section of pipe and clean out tee to the flue outlet, making sure the clean out tee is centered in the chimney flue area.
4. Install a vented flashing at the top of the fireplace chimney. Stainless steel plate and screws are recommended. Cut a hole for the vent pipe. If needed, cut a second hole for the air intake pipe. Seal all joints with high temperature waterproof silicone sealant to prevent water leakage.
5. Seal and install vertical roof vent. If required, seal and install a storm collar.

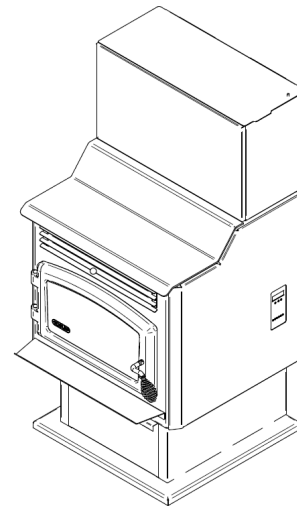
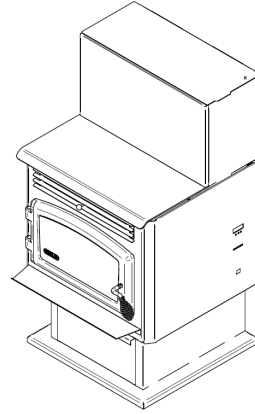
#### 4.6.5 THROUGH AN EXISTING MASONRY CHIMNEY



1. Position stove following clearances following vent manufacturer's instructions.
2. Mark the center of the hole where the vent pipe will go through the masonry chimney.
3. It is necessary to make a hole in the masonry with a one-inch diameter greater than the diameter of the vent pipe used.
4. Install the cleanout tee at the bottom of the vertical vent system and lower it down the chimney until the center branch of the tee is aligned with the hole in the masonry.
5. Connect the horizontal vent pipe to the cleanout tee by pushing it through the hole in the masonry.
6. If desired, once the horizontal pipe is in place, the space between the pipe and masonry may be filled with high-temperature grout.
7. Install a vented flashing at the top of the masonry chimney. Stainless steel plate and screws are recommended. Cut a hole for the vent pipe. If needed, cut a second hole for the air intake pipe. Seal all joints with high temperature waterproof silicone sealant to prevent water leakage.
8. Install and seal flashing with high temperature waterproof silicone sealant.
9. Seal and install vertical roof vent. If required, seal and install a storm collar.
10. If desired, install a trim collar and use an additional horizontal vent pipe length, if required, to connect the stove to the chimney.

#### 5. INSTALLING THE OPTIONAL HOPPER EXTENSION

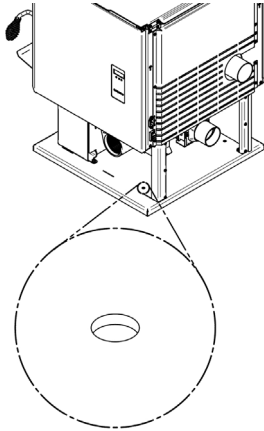
To increase the hopper capacity, it is possible to install a hopper extension, sold separately. Consult your dealer or website for details.



## 6. MOBILE HOME INSTALLATION

### NOTICE

For mobile home installation, it is mandatory to connect the stove to an outside combustion air source. Insulated pipe should never exceed 10 feet.



When installed in a mobile home, the stove must be anchored to the floor with two screws. Use the two anchoring holes located on each side of the pedestal, as shown on the right figure.

For use in a mobile home in Canada, this pellet stove must be connected to a vent system certified according to the standard or ULC/ORD-C441 CAN/ULC-S609. A vent system meeting the requirements of ULC S629M can also be used.

For use in a manufactured home in the United States, this pellet stove must be connected to a venting system that meets the requirements of UL 641 standard. A vent system that meets the requirements of UL 103 standard may also be used.

## 7. INSTALLING A THERMOSTAT

Using a thermostat will help you maintain a constant temperature throughout the house. A low voltage thermostat (24 volts) is required. A fixed wall mount or hand held model can be used.

### NOTICE

Thermostat manufacturer's instructions always override the information published in the following section.

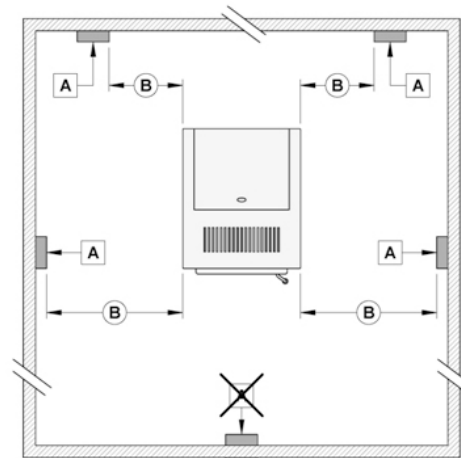
## 7.1 THERMOSTAT LOCATION

Location of the thermostat is very important to obtain comfort and efficiency from your stove.

Locate the thermostat 4 to 5 feet above the floor in accordance with applicable building codes.

Install the thermostat in a location that provides good airflow characteristics and avoid areas behind doors, near corners, air vents, direct sunlight or heat generating devices.

If the thermostat is installed in the same room as the stove, it should also be located at least 15 to 20 feet from the stove. To prevent cycling, you should avoid installing the thermostat on a poorly insulated outside wall or directly in front of the stove.



A	Thermostat
B	Minimum 15'

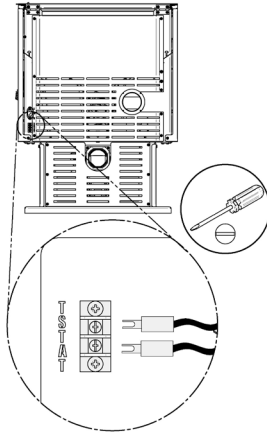
### NOTICE

Installing the thermostat in front of the stove or in front of a window will tend to make the stove cycle too often and wear components prematurely. See operation's manual for more details on how to operate the stove with the proper pilot mode.

## 7.2 WIRED THERMOSTAT

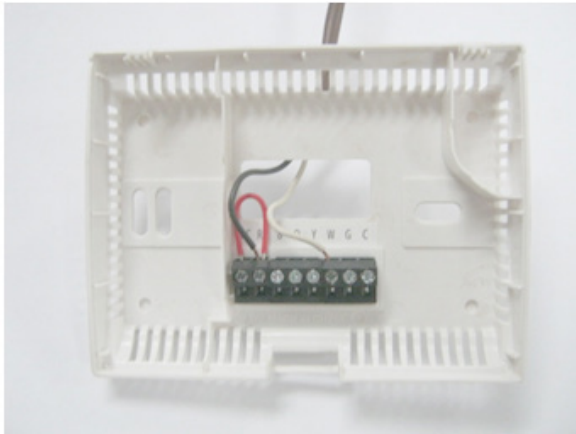
Before installing the thermostat, unplug the power cord from the power outlet.

First, connect the two thermostat wires to the terminal block located at the rear on the right hand side of the stove when facing it. Loosen the two middle screws and insert the wires in the terminals. Tighten the two screws. Open the thermostat and connect the wires as per the manufacturer's instructions.



Open the thermostat and connect the wires as per the manufacturer's instructions.

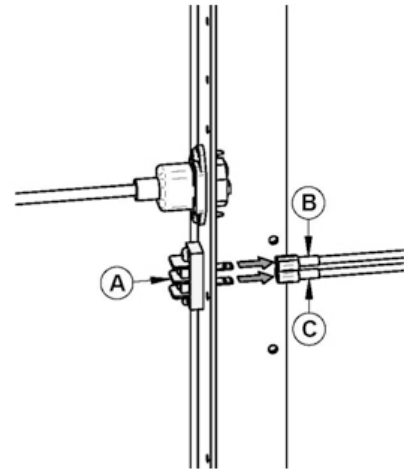
Connect one wire on "RH" and the other wire on "W". Red wire jumper can remain installed. For further information refer to the manufacturer's instructions.



## 7.3 WIRELESS THERMOSTAT

If you are using a wireless thermostat or a hand held thermostatic remote control, connect the two thermostat wires to the terminal block located at the rear on the right hand side of the stove while facing it. If the receiver wires are equipped with quick-connect terminals you can connect them directly to the stove's wiring harness.

To do so, open the right hand side decorative panels and disconnect wires (B) and (C) attached to the rear of the terminal block (A) and connect them to the receiver.



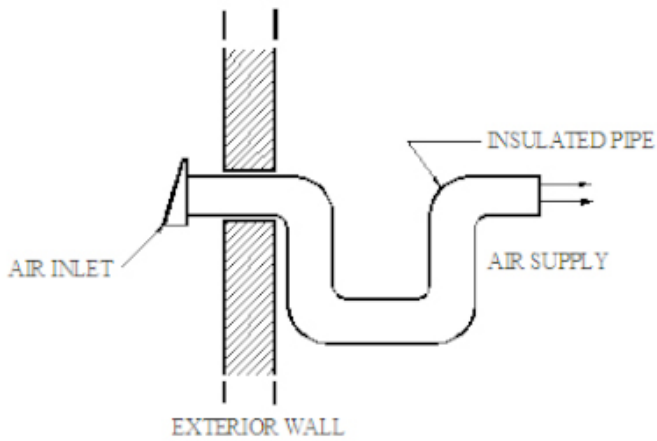
## 8. COMBUSTION AIR SUPPLY

### NOTICE

For mobile home installation, it is mandatory to connect the stove to an outside combustion air source. Insulated pipe should never exceed 10 feet.

It is recommended to install an outside air inlet in or near the room where the stove is installed. When doing so, it is preferable to choose a wall which is not exposed to dominant winds, depending on the conditions surrounding your house.

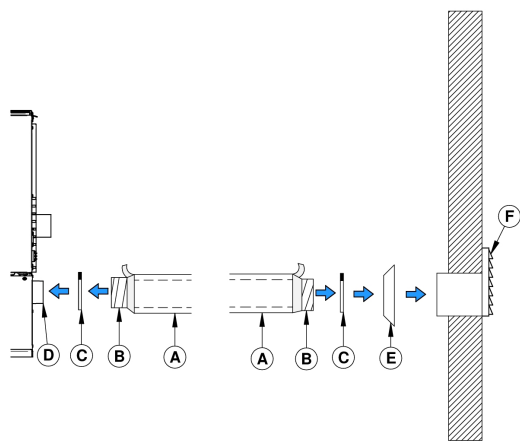




An insulated 3" inside diameter metallic pipe, either flexible or rigid, must be attached to the fresh air intake (D).

To complete the installation, make a hole of 1/4" to 1/2" (6 mm à 13 mm) bigger than the insulate pipe diameter in the outside wall of the house at the chosen location. From outside, place the outside air inlet cap (E) in the hole (open side down) and fasten the register to the wall, with screw.

Place the insulated pipe (A) over the register tube and over the fireplace outside air connector (D). At each end, carefully pull back the insulation and plastic cover, exposing the flexible pipe. Attach the flexible pipe using pipe clamps(C).



For a better seal, you may also use aluminum tape. Wrap the tape around the joint between the flexible pipe and the air inlets. Carefully push the insulation and plastic cover back over the pipe. Fix the plastic in place using aluminum tape.

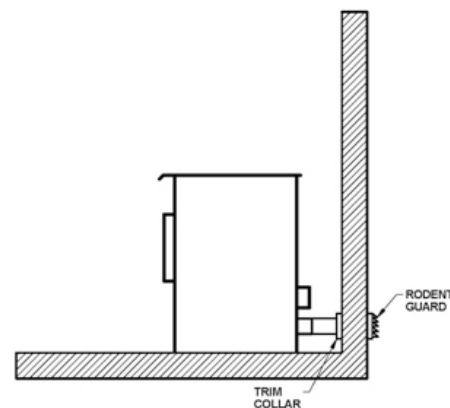
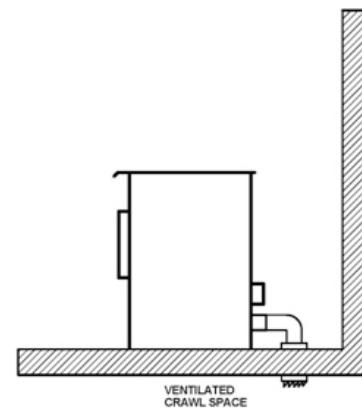
A rodent guard (minimum 1/4" wire mesh) must be used at the termination. All connections must be secured and airtight by either using the appropriately sized hose clamp and/or UL-181-AP foil tape.

Make sure that the fresh air intake back draft shutter functions freely. The fresh air intake back draft shutter is located in the back of the stove.

### 8.1 SOURCES OF OUTSIDE COMBUSTION AIR

CAUTION
<b>IT IS FORBIDDEN TO DRAW COMBUSTION AIR FROM A BASEMENT, AN ATTIC, A GARAGE OR ANY CONFINED SPACE</b>

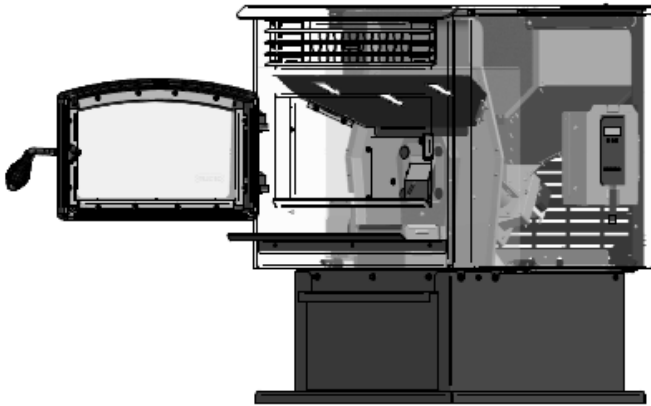
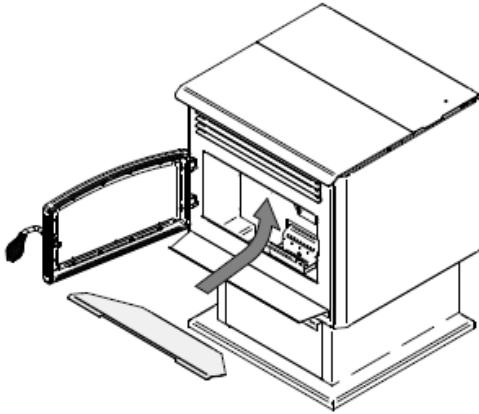
- You can draw air from a ventilated crawl space underneath the floor.
- You can draw air directly from an outside wall, behind the stove.



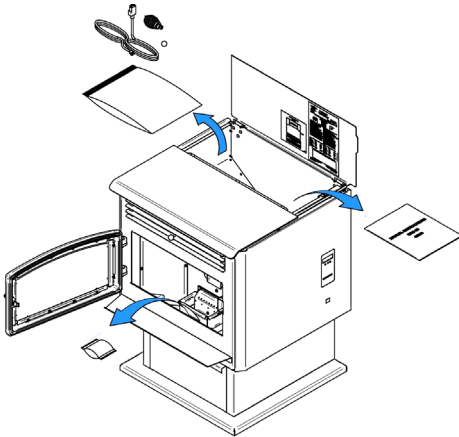
## 9. APPLIANCE SET-UP

### 9.1 GENERAL

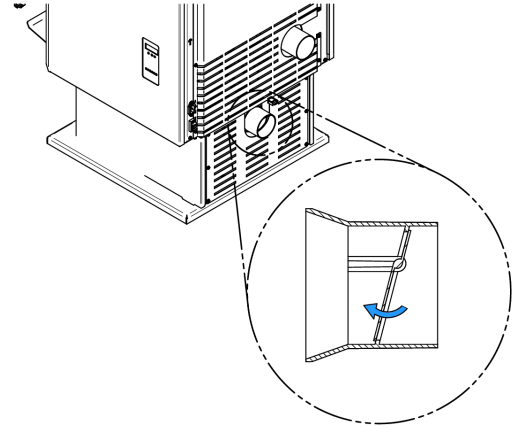
Install the baffle



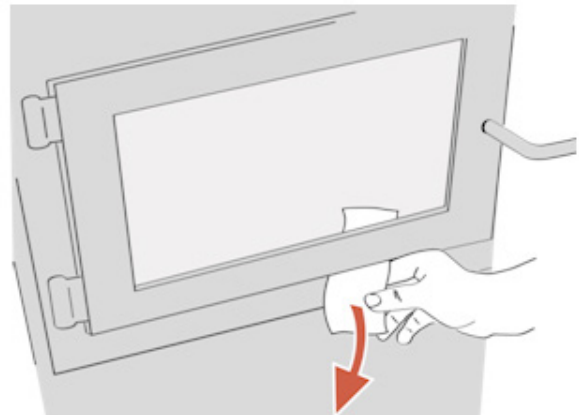
Remove all tools or accessories that have been inserted in the stove for transportation purposes.



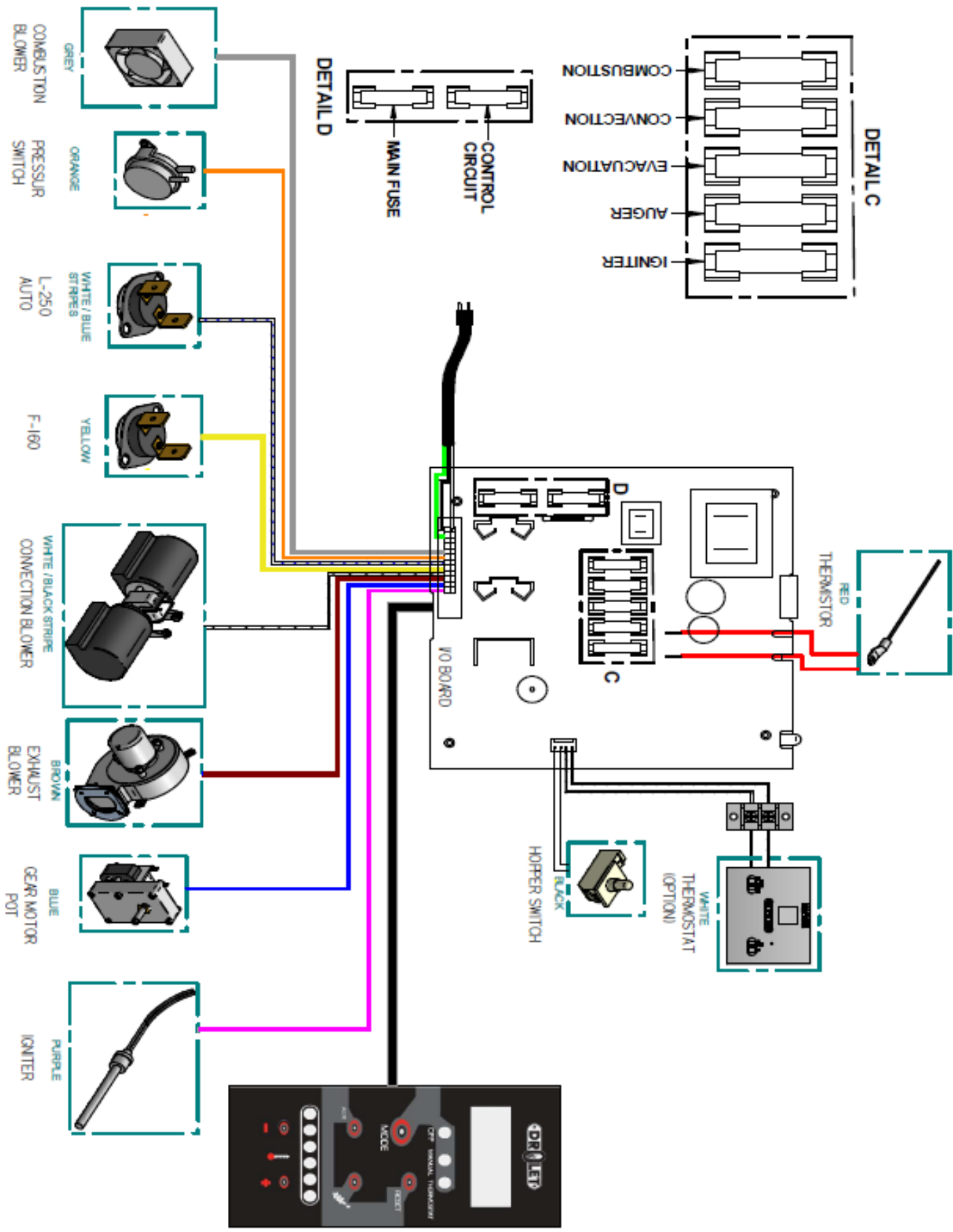
Make sure the fresh air intake back draft shutter works freely.



Test the door seal by closing and latching the door on a strip of paper. Test all around the door. The paper should not slip out easily. If it does, see the maintenance section in the operation manual.

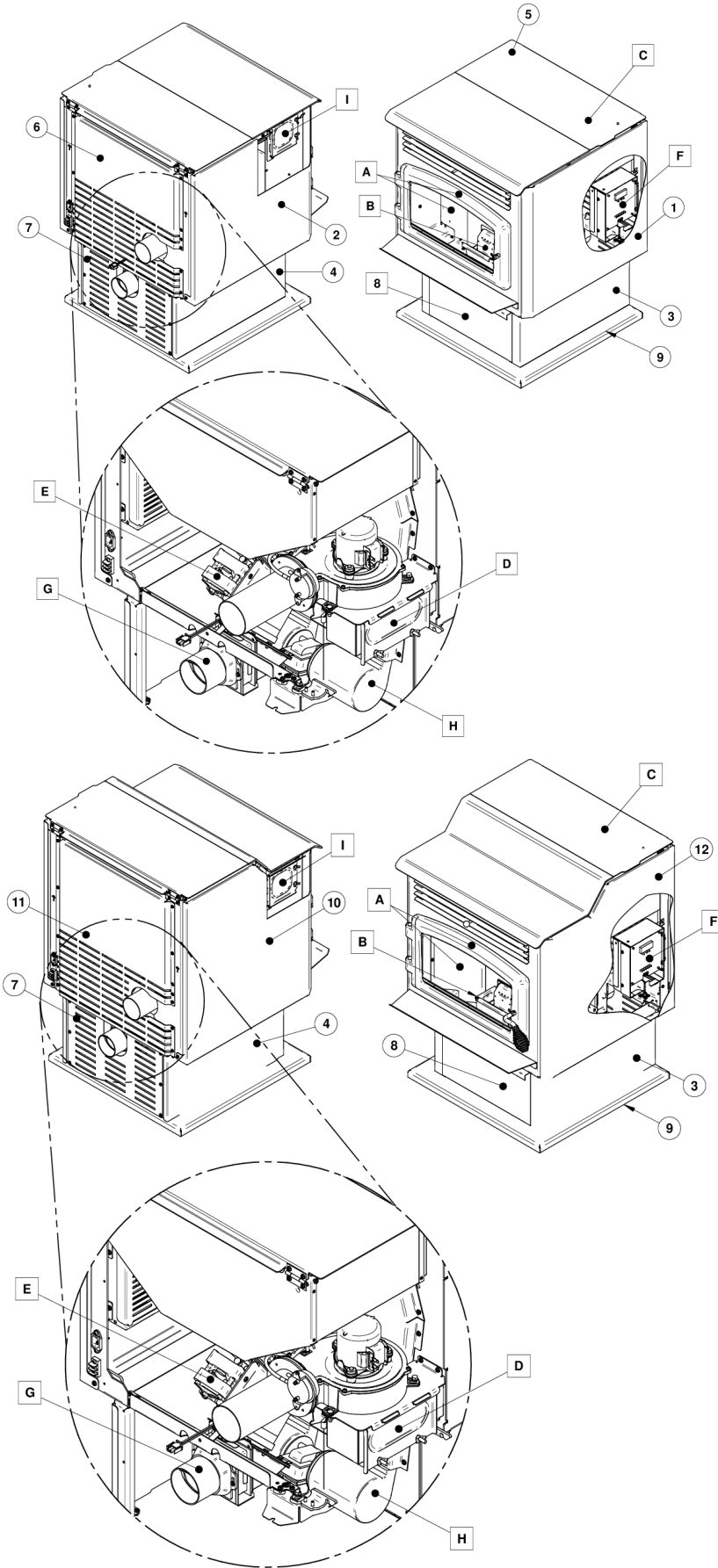


# 10. WIRING DIAGRAM



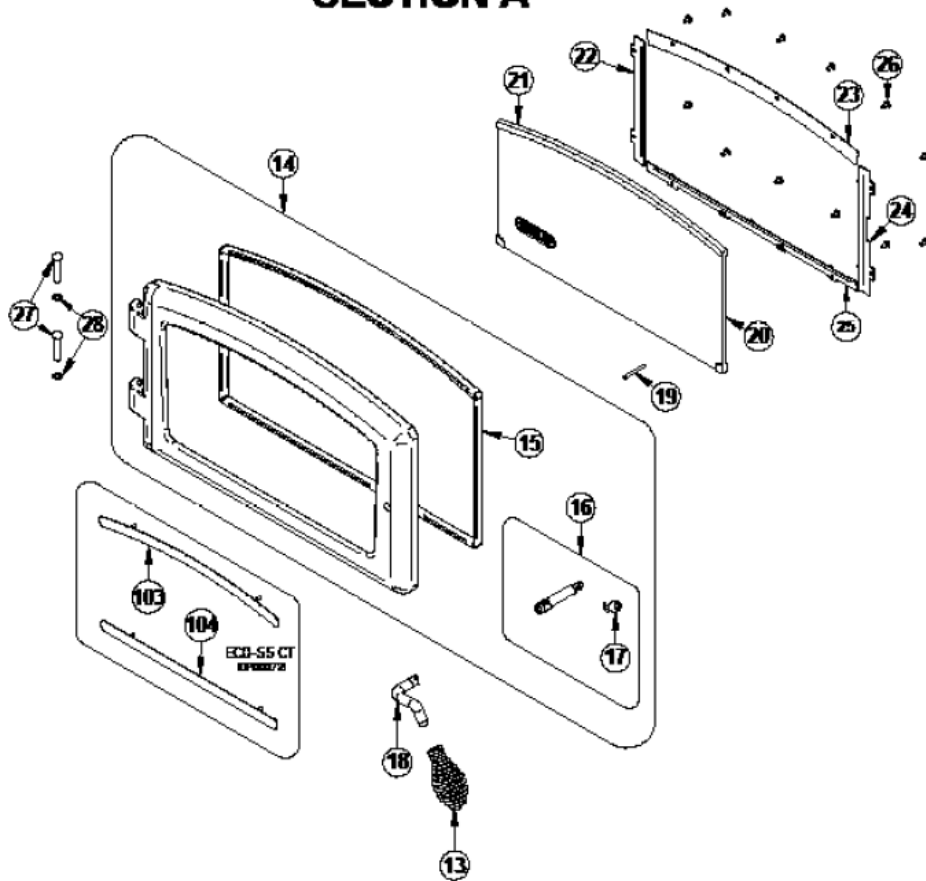
# 11. EXPLODED VIEWS AND PARTS LIST DP00070 DP00072 AND DP00071

ENGLISH

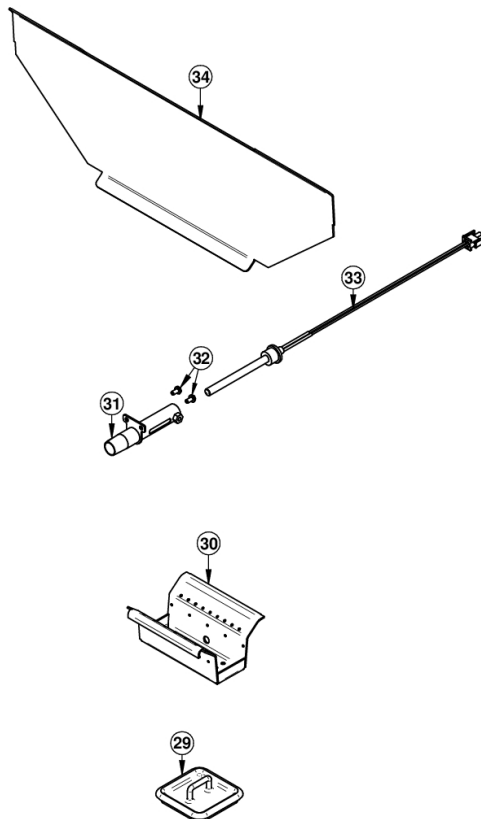




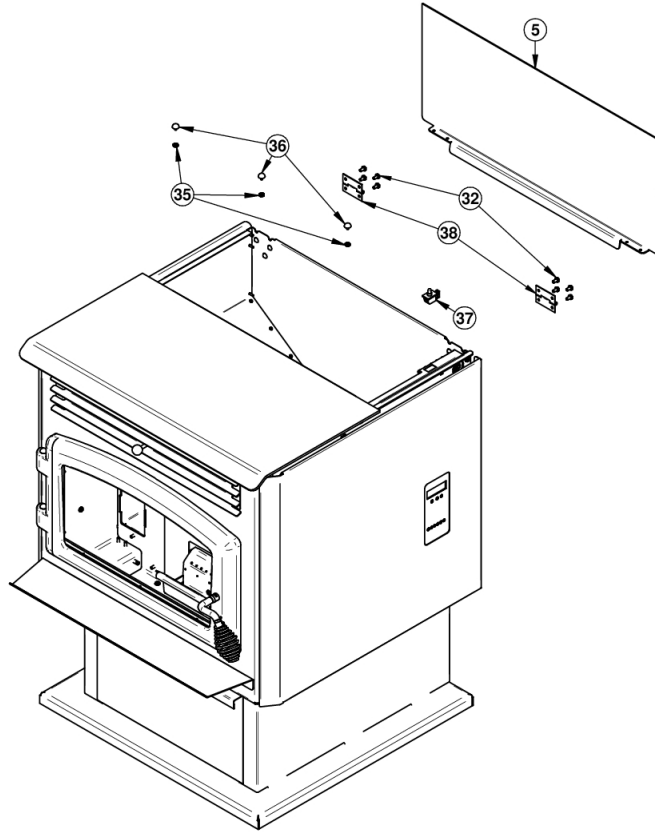
# SECTION A



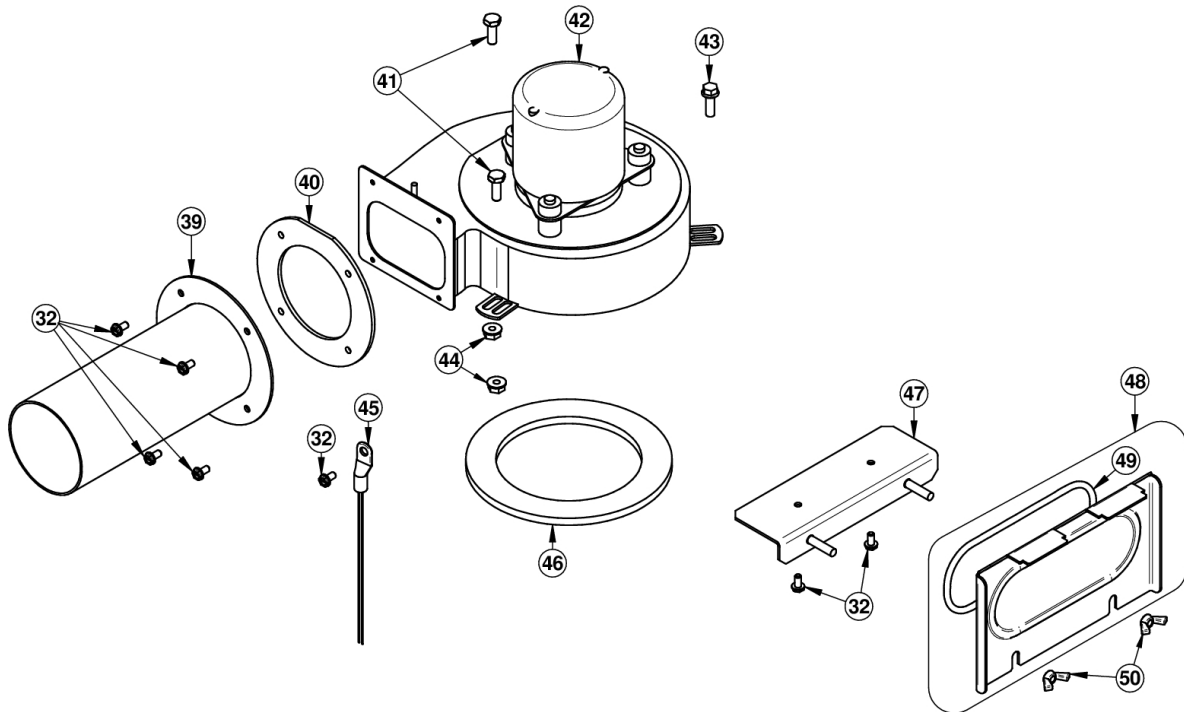
# SECTION B



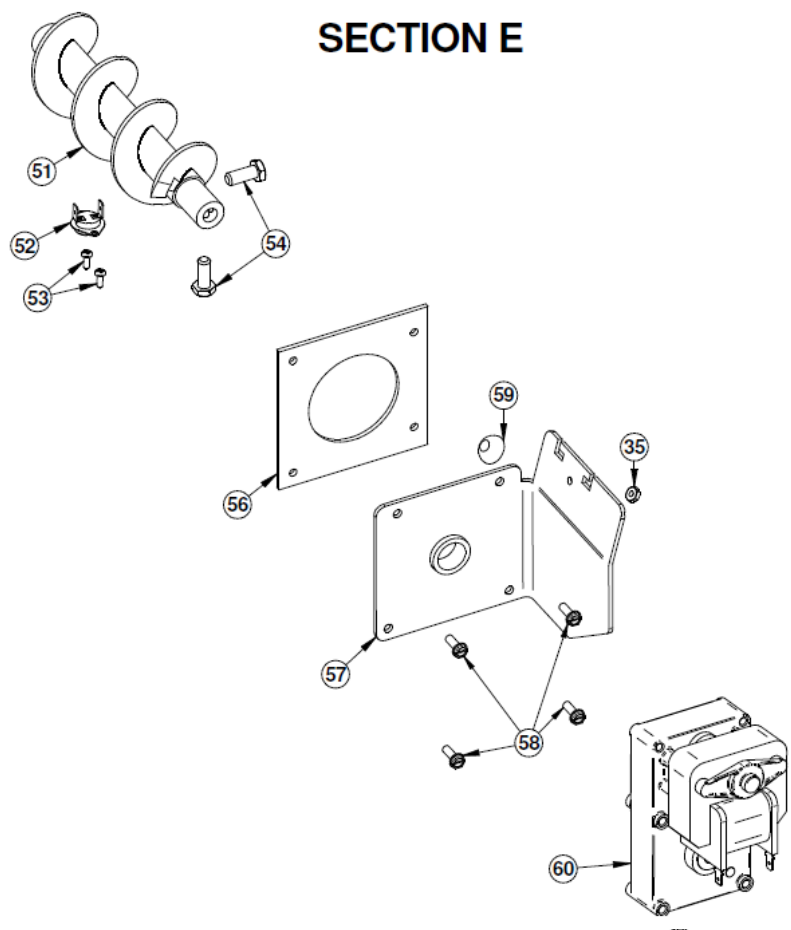
**SECTION C**



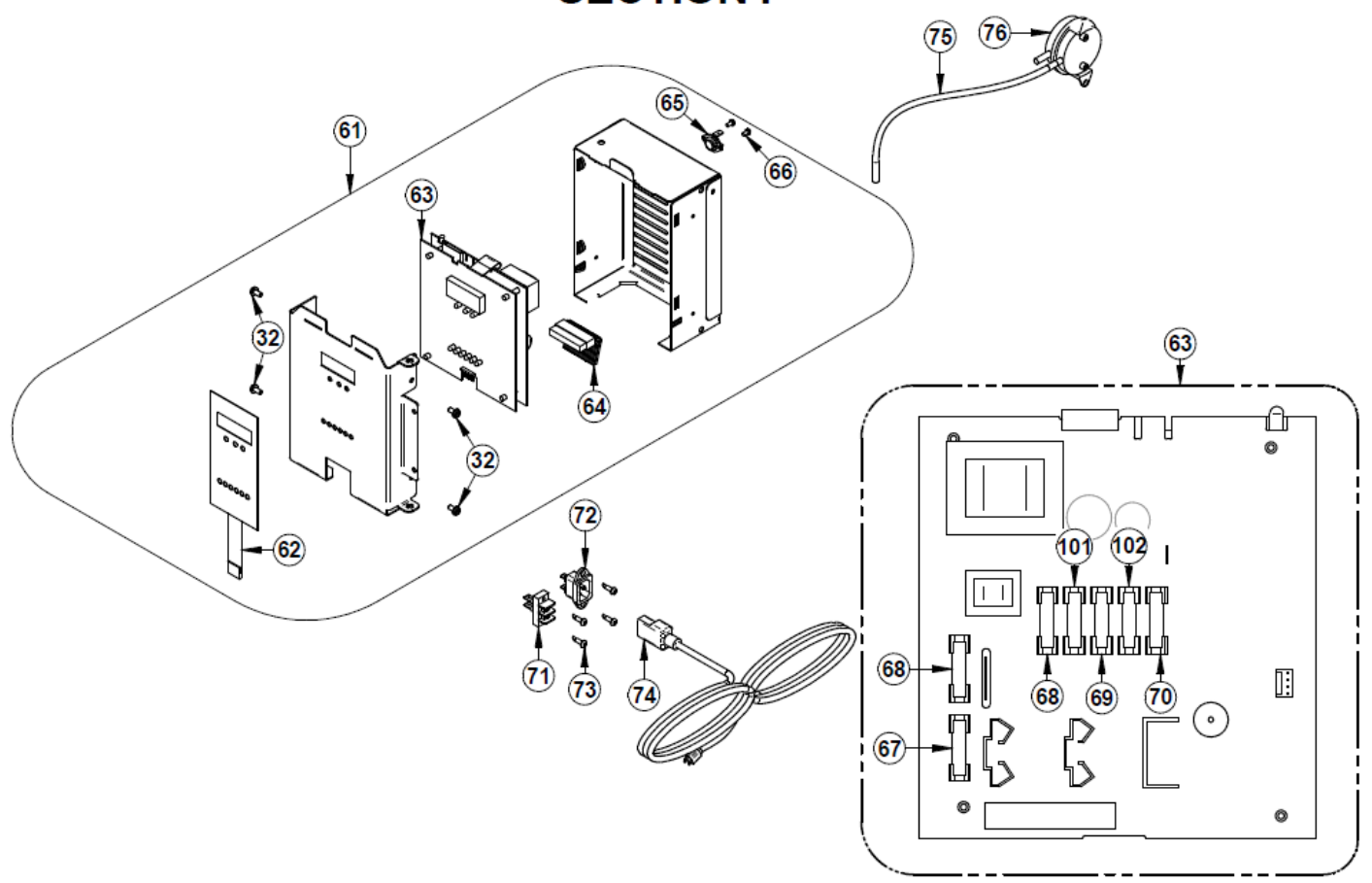
**SECTION D**



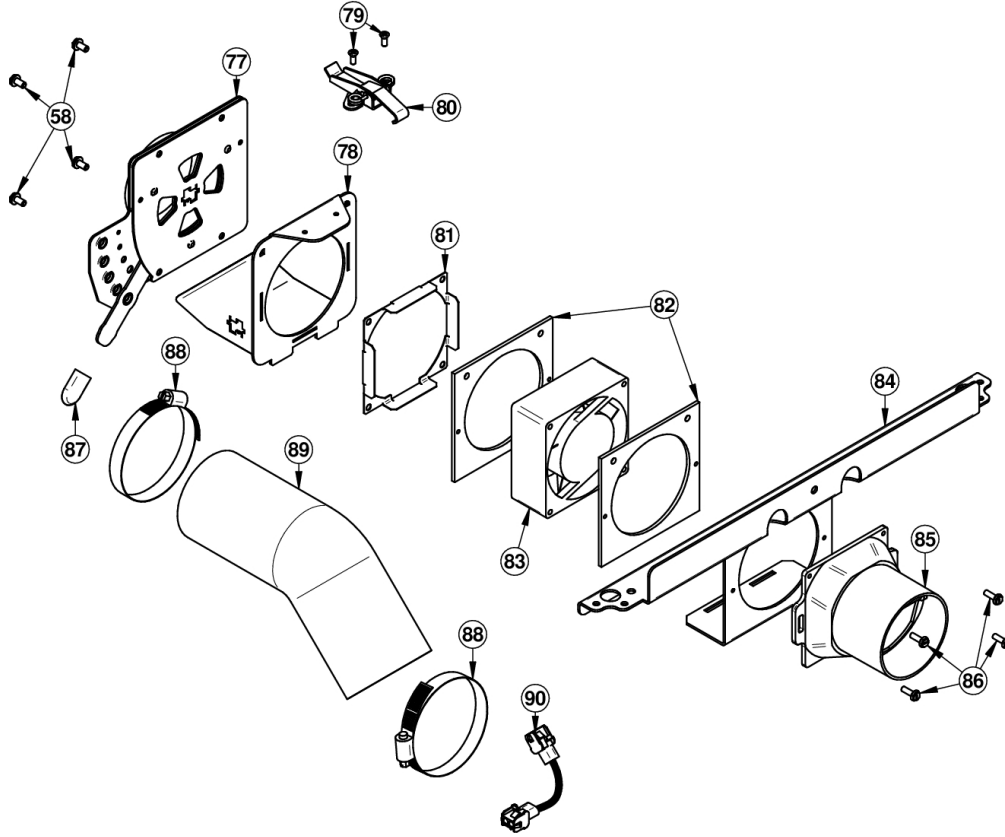
### SECTION E



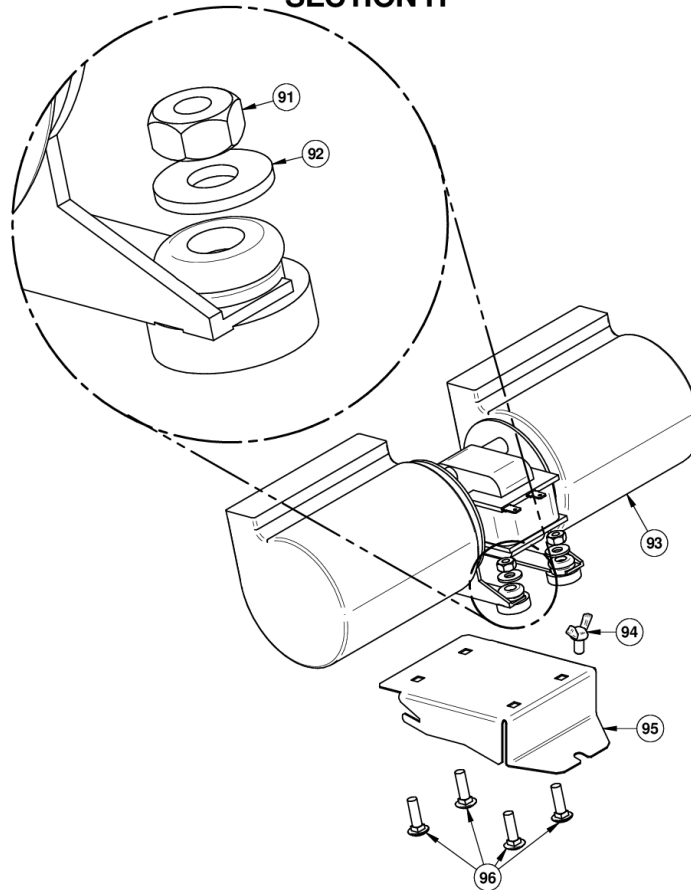
### SECTION F



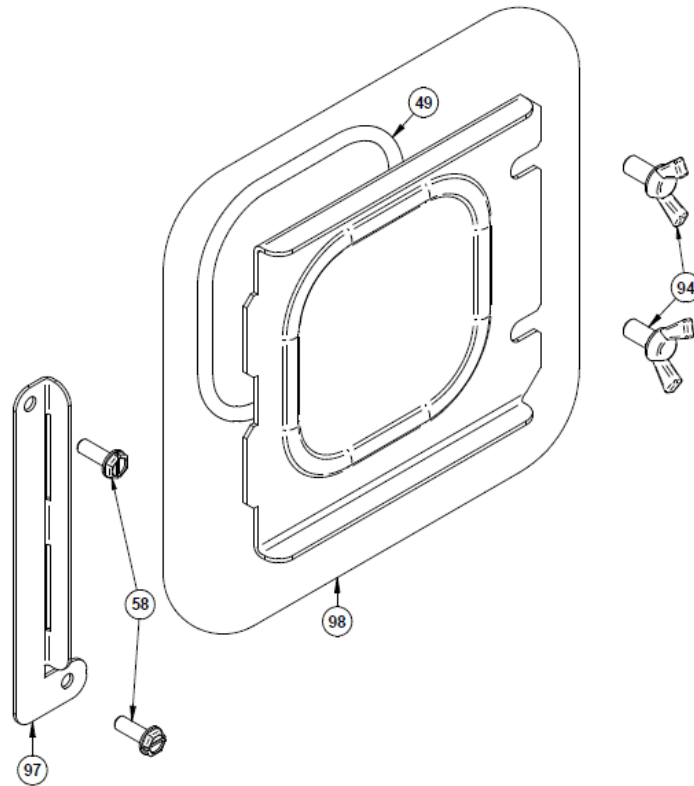
### SECTION G



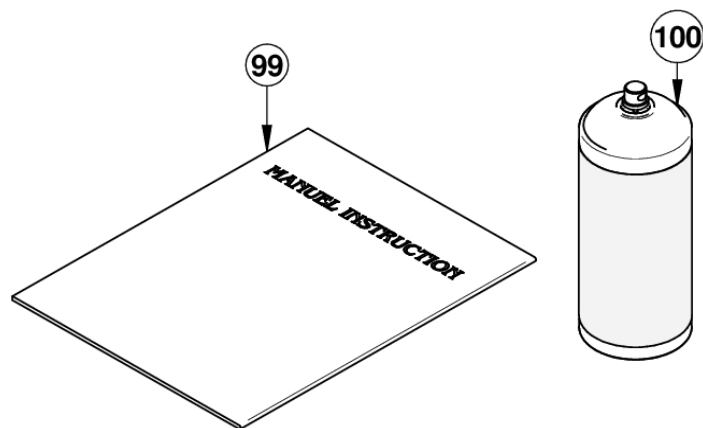
### SECTION H



## SECTION I



## SECTION J



**IMPORTANT: THIS IS DATED INFORMATION.** When requesting service or replacement parts for your stove, please provide the model number and the serial number. We reserve the right to change parts due to technology upgrade or availability. Contact an authorized dealer to obtain any of these parts. Never use substitute materials. Use of non-approved parts can result in poor performance and safety hazards and will void your warranty.

ENGLISH

#	Part	Description	Qty
1	PL69808	RIGHT SIDE DECORATIVE PANEL	1
2	PL69809	LEFT SIDE DECORATIVE PANEL	1
3	PL69806	LOWER RIGHT SIDE DECORATIVE PANEL	1
4	PL69807	LOWER LEFT SIDE DECORATIVE PANEL	1
5	PL69801	HOPPER LID	1
6	PL69794	BACK PANEL	1
7	PL69795	LOWER BACK PANEL	1
8	SE69810	ASH DRAWER	1
9	99999	BUILD TO ORDER	1
10	PL69833	LEFT SIDE DECORATIVE PANEL	1
11	PL69854	BACK PANEL	1
12	PL69832	RIGHT SIDE DECORATIVE PANEL	1
13	30105P	COIL HANDLE 1/2" BLACK	1
14	SE24085	DOOR FRAME WITH HANDLE AND GASKET WITHOUT GLASS	1
15	AC06200	SILICONE AND 1/4" X 1/2" X 11' BLACK GASKET KIT	1
16	AC09176	DOOR HANDLE AND LATCH KIT	1
17	AC09185	DOOR LATCH KIT	1
18	PL52683	REMOVABLE HANDLE	1
19	30101	SPRING TENSION PIN 5/32" DIA X 1 1/2" L	1
20	SE52708	ARCHED REPLACEMENT GLASS WITH GASKET 7 51/64" X 16 3/4" X 8 23/32"	1
21	AC06400	3/4" (FLAT) X 6' BLACK SELF-ADHESIVE GLASS GASKET	1
22	PL52717	HINGE SIDE GLASS RETAINER	1
23	PL08537-04	TOP GLASS RETAINER	1
24	PL52719	HANDLE SIDE GLASS RETAINER	1
25	PL52718	AIR DEFLECTOR TRIM	1
26	30124	SCREW #8 - 32 X 5/16" TRUSS QUADREX ZINC	12
27	30170	HINGE PIN 5/16" DIA X 1 1/2" L (0.309 TO 0.312)	2
28	30055	HINGE PIN RETAINING RING 5/16" ID X 0.512" OD	2
29	SE16059	ASH PLUG	1
30	SE69759	BURN POT	1
31	44192	IGNITOR TUBE	1
32	30029	THREAD CUTTING SCREW 10-24 TYPE "F" X 3/8" HEX WASHER	16
33	SE44132	IGNITER ASSEMBLY 120V 300W	1
34	PL69777	FIRE BAFFLE	1
35	30417	BLACK HEX NUT #8-32	3



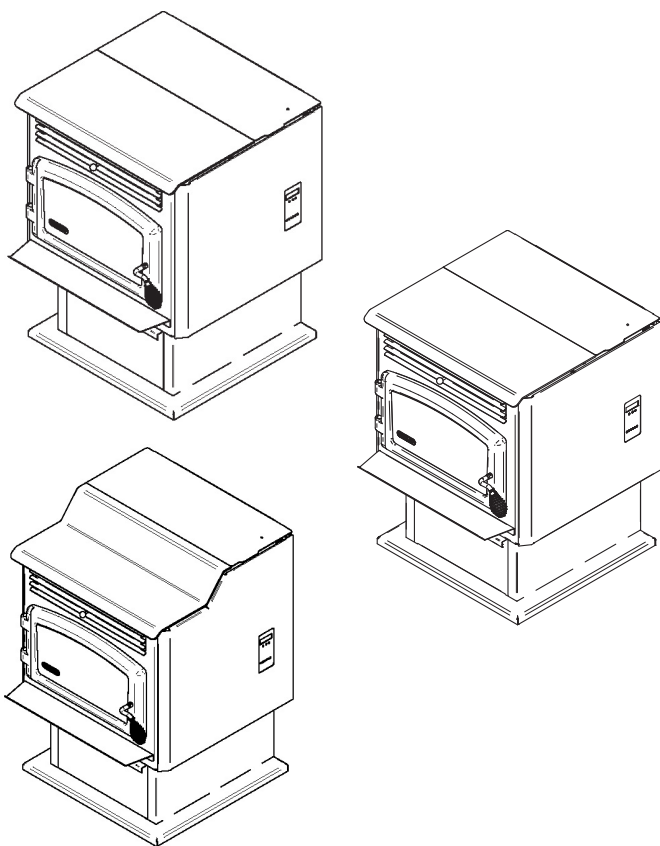
#	Part	Description	Qty
36	30370	RUBBER BUMPER WITH THREADS (SMALL)	3
37	44098	HOPPER LID SAFETY SWITCH	1
38	30013	HINGE 2" X 1 1/2"	2
39	SE69785	EXHAUST PIPE ASSEMBLY	1
40	21392	EXHAUST ADAPTER GASKET	1
41	30093	BOLT 1/4-20 X 3/4" HEX GRADE 5	2
42	SE44193	EXHAUST FAN WITH GASKETS	1
43	30094	HEX SCREW WASHER HEAD 1/4-20 X 3/4" F ZINC TYPE	1
44	30220	FLANGED LOCKNUT 1/4-20	2
45	SE44095	THERMISTOR ASSEMBLY	1
46	21393	EXHAUST BLOWER GASKET	1
47	PL69764	SUPPORT EXHAUST TRAP	1
48	SE69803	EXHAUST CLEANING PANEL ASSEMBLY	1
49	AC06815	BLACK GASKET AND SILICONE KIT 3/16" X 5'	1
50	30484	WING NUT 1/4-20	2
51	24017	CAST IRON AUGER	1
52	44059	THERMODISC 36T11 L250-25 AUTOMATIC	1
53	30138	METAL SCREW #6 3/8" QUADREX "A" TYPE BLACK	2
54	30092	BOLT 5/16"-18 X 3/4" HEX GRADE 5	2
55	30528	BRASS BUSHING FOR PELLET STOVE AUGER	1
56	21110	AUGER PLATE GASKET	1
57	PL69773	AUGER BUSHING SUPPORT PLATE	1
58	30026	THREAD CUTTING SCREW 10-24 F 5/8" HEX WASHER HEAD	10
59	30369	RUBBER BUMPER WITH THREADS (LARGE)	1
60	44106	GEAR MOTOR FOR PELLET STOVE AUGER 1.5 RPM	1
61	SE69791	CONTROL BOARD BOX ASSEMBLY	1
62	44148	MEMBRANE SWITCH CONTROL BOARD	1
63	PL69855	CONTROL BOARD 55 SERIE	1
64	60382	WIRING HARNESS	1
65	44058	THERMODISC 36T12 F160	1
66	30080	METAL SCREW #6 X 1/4 TYPE B PAN PHILLIPS	2
67	44149	FUSE 8A / 250V (5 X 20) F3-MAIN OR F8 IGNITER	1
68	44152	FUSE 0.5A / 250V (5 X 20) F2-INTERFACE	2
69	44200	FUSE GLASS 2A 250VAC 5X20MM SLOW BLOW	1
70	44201	FUSE GLASS 4A 250VAC 5X20MM SLOW BLOW	1
71	60036	THERMOSTAT TERMINAL	1
72	60196	POWER CORD RECEPTACLE	1
73	30155	METAL SCREW #8 X 5/8" PHILLIPS SELFTAPPING TEK ZINC	4
74	60331	POWER CORD 6'	1
75	49004	PRESSURE SWITCH HOSE	1
76	44029	PRESSURE SWITCH	1
77	SE69849	AIR CONTROL DAMPER ASSEMBLY	1

#	Part	Description	Qty
78	PL69784	AIR INTAKE PLATE	1
79	30021	SELF TAPPING SCREW 8-32 "F" TYPE X 7/16" FLAT HEAD PHILLIPS BLACK	2
80	30439	SPRING CLAMP ZINC PLATED BRIGHT CHROMATE DIP	1
81	PL64359	COMBUSTION FAN GASKET FRAME	1
82	21400	COMBUSTION FAN GASKET	2
83	SE44147	AXIAL BLOWER ASSEMBLY 115V 9W 92 X 92 X 38	1
84	PL69799	AIR CONTROL BRACKET	1
85	30777	PLASTIC BACKDRAFT DAMPER ASSEMBLY	1
86	30502	SELF TAPING SCREW #8 - 32 X 1/2" TYPE F x 3/4 HEX FLAT HEAD	4
87	30556	AIR CONTROL FINISHING TIP	1
88	49400	2 1/2" TO 3 1/2" STEEL COLLAR	2
89	21381	2 FOLD ALUMINUM LINER 3" X 6" COMPRESSED	1
90	60383	IGNITER JUNCTION WIRE	1
91	30100	BLACK HEX NUT 1/4 - 20	4
92	30185	17/64" "AA" TYPE WASHER	4
93	44122	DOUBLE CAGE BLOWER 176 CFM (CLASS H)	1
94	30485	WING NUT 1/4-20 X 1/2" ZINC PLATTED	3
95	PL69805	CONVECTION FAN SUPPORT	1
96	30446	CARRIAGE BOLT 1/4 - 20 x 1" ZINC	4
97	PL69802	CLEANING ACCESS PANEL SUPPORT	1
98	SE69804	CLEANING ACCESS PANEL WITH GASKET	1
99	45876	USER MANUAL	1
100	AC05959	METALLIC BLACK STOVE PAINT - 342 g (12oz) AEROSOL	1
101	44150	FUSE 3A / 250V (5 X 20) F4-AUGER & DC IEC CONNECTOR	1
102	44199	FUSE GLASS 1.25A 250VAC 5X20MM SLOW BLOW	1
103	PL69887	DECORATIVE TOP DOOR TRIM (ECO-55 CT ONLY)	1
104	PL69888	DECORATIVE BOTTOM DOOR TRIM (ECO-55 CT ONLY)	1



# MANUEL D'INSTALLATION ECO-55, ECO-55 CT et ECO-55 ST (modèle DP00070, DP00072 et DP00071)

Essai de sécurité fait conformément aux normes ULC S627 et ASTM E1509 par un laboratoire accrédité



FRANÇAIS

**L'INSTALLATION PAR UN  
PROFESSIONNEL EST FORTEMENT  
RECOMMANDÉE**

**Fabricant de poêles international inc.**  
250, rue de Copenhague,  
St-Augustin-de-Desmaures (Québec) Canada  
G3A 2H3

Service aux consommateurs : 418-908-8002  
Courriel : [tech@sbi-international.com](mailto:tech@sbi-international.com)  
[www.drolet.ca](http://www.drolet.ca)

**CONTACTEZ VOTRE SERVICE MUNICIPAL DU BÂTIMENT OU DES INCENDIES POUR CONNAÎTRE LES RESTRICTIONS ET LES EXIGENCES D'INSPECTION ET D'INSTALLATION DANS VOTRE RÉGION.**

**LISEZ CE MANUEL AU COMPLET AVANT D'INSTALLER VOTRE NOUVEAU POËLE. IL EST IMPORTANT DE RESPECTER INTÉGRALEMENT LES DIRECTIVES D'INSTALLATION. SI LE POËLE N'EST PAS INSTALLÉ CORRECTEMENT, IL PEUT EN RÉSULTER UN INCENDIE, DES BLESSURES CORPORELLES OU MÊME LE DÉCÈS.**

**LIRE LE PRÉSENT MANUEL ET LE CONSERVER POUR CONSULTATION**



Ce manuel peut être téléchargé gratuitement à partir du site web du fabricant. Il s'agit d'un document dont les droits d'auteur sont protégés. La revente de ce manuel est formellement interdite. Le fabricant se réserve le droit de modifier ce manuel de temps à autre et ne peut être tenu responsable de tous problèmes, blessures ou dommages subis suite à l'utilisation d'information contenue dans tout manuel obtenu de sources non autorisées.

## 1. CONSIGNES DE SÉCURITÉ

Nous recommandons fortement que nos produits de chauffage soient installés par des professionnels certifiés aux États-Unis par le NFI (National Fireplace Institute®) ou au Canada par WETT (Wood Energy Technology Transfer) ou au Québec par l'APC (Association des Professionnels du Chauffage).

Lorsque ce poêle n'est pas installé correctement, les matériaux combustibles à proximité peuvent surchauffer. Pour réduire les risques d'incendie, suivez les instructions d'installation de ce manuel intégralement. Contactez votre service municipal du bâtiment ou des incendies pour connaître les restrictions et les exigences d'inspection et d'installation dans votre région.

Lisez ce manuel au complet avant d'installer et d'utiliser votre nouveau poêle. Il se peut que vous deviez vous procurer un permis pour l'installation du poêle et du système d'évent sur lequel il est branché. Communiquez avec votre service municipal du bâtiment ou des incendies avant l'installation. Nous vous recommandons également de demander à votre compagnie d'assurance habitation si cette installation aura une incidence sur votre police d'assurance.

### ATTENTION

**IL EST FORTEMENT DÉCONSEILLÉ D'INSTALLER CE POÊLE DANS UNE CHAMBRE À COUCHER.**

### ATTENTION

**L'INSTALLATION INADÉQUATE DE VOTRE APPAREIL POURRAIT CAUSER UN INCENDIE. POUR RÉDUIRE LES RISQUES, SUIVEZ LES INSTRUCTIONS D'INSTALLATION.**

### ATTENTION

**BRÛLER DES COMBUSTIBLES SOLIDES GÉNÈRE DU MONOXYDE DE CARBONE EN FAIBLE CONCENTRATION. CES GAZ SONT EXPULSÉS PAR LE SYSTÈME D'ÉVACUATION. DES CONCENTRATIONS PLUS ÉLEVÉES EN MONOXYDE DE CARBONE SONT TOXIQUES ET PEUVENT CAUSER LA MORT. AFIN D'ÉVITER UN EMPOISONNEMENT, ASSUREZ-VOUS QUE VOTRE SYSTÈME D'ÉVENT EST ÉTANCHE.**

### ATTENTION

**CE POÊLE EST APPROUVÉ MAISON MOBILE ET REQUIERT L'INSTALLATION D'UN ENSEMBLE D'ENTRÉE D'AIR FRAIS, VENDU SÉPARÉMENT. LE POÊLE DOIT ÊTRE FIXÉ À LA STRUCTURE DE LA MAISON MOBILE ET L'INTÉGRITÉ STRUCTURALE DU PLANCHER, DES MURS, DU PLAFOND ET DU TOIT DE LA MAISON MOBILE DOIT ÊTRE MAINTENUE. IL EST INTERDIT D'INSTALLER CE POÊLE DANS UNE CHAMBRE À COUCHER D'UNE MAISON MOBILE.**

### MISE EN GARDE

**CE POÊLE DOIT ÊTRE BRANCHÉ DANS UNE PRISE STANDARD DE 120V/60HZ, AVEC MISE À LA TERRE. NE PAS UTILISER D'ADAPTATEUR ÉLECTRIQUE. NE PAS ENDOMMAGER OU ENLEVER LA MISE À LA TERRE. NE FAITES JAMAIS PASSER LE CORDON D'ALIMENTATION ÉLECTRIQUE EN AVANT, AU-DESSUS OU EN DESSOUS DU POÊLE.**

### REMARQUE

L'utilisation de composants provenant d'autres appareils ou la modification des composants actuels du poêle sont interdites et annuleront la garantie. Toute modification de l'appareil qui n'a pas été approuvée par écrit par l'autorité d'homologation ou le fabricant est interdite et viole les normes CSA B365 (Canada) et NFPA 211 (É.-U.).

### REMARQUE

Lors du choix de l'emplacement de l'appareil, assurez-vous que le système d'évent n'entre pas en conflit avec les solives de plancher, les chevrons de toit, les montants, les conduites d'eau ou les fils électriques. Il est plus facile de relocaliser l'appareil que de modifier la structure de l'habitation.

### REMARQUE

Les informations inscrites sur la plaque d'homologation de l'appareil ont toujours préséance sur les informations contenues dans tout autre média publié (manuels, catalogues, circulaires, revues ou sites web).



## REMARQUE

Ce poêle a été conçu et développé pour être utilisé comme chauffage d'appoint résidentiel. Un usage commercial ou industriel est interdit et annulera la garantie.

## REMARQUE

SBI - Fabricant de poêles international inc. n'assume aucune garantie implicite ou explicite liée à la mauvaise installation de l'appareil et n'assume aucune responsabilité pour tout dommage qui en résulterait.



**AVERTISSEMENT:** Ce produit peut vous exposer à des agents chimiques, y compris du monoxyde de carbone, identifiés par l'État de la Californie comme pouvant causer le cancer ou des malformations congénitales et autres troubles de l'appareil reproducteur. Pour de plus amples informations, prière de consulter le [www.P65warnings.ca.gov](http://www.P65warnings.ca.gov)

## ATTENTION

**NE PAS RESTREINDRE LA CIRCULATION DE L'AIR AUTOUR DE L'UNITÉ. LA CIRCULATION DE L'AIR AUTOUR DE L'UNITÉ EST IMPORTANTE. SI LA CIRCULATION DE L'AIR EST LIMITÉE, CELA POURRAIT AUGMENTER LA CHALEUR SUR LES MURS ET LE PLAFOND ADJACENTS.**

## MISE EN GARDE

**NE JAMAIS UTILISER D'ESSENCE, DE COMBUSTIBLE À LANTERNE (NAPHTA), DE MAZOUT, D'HUILE À MOTEUR, DE KÉROSÈNE, DE LIQUIDE D'ALLUMAGE POUR CHARBON DE BOIS, DE LIQUIDES SIMILAIRES OU D'AÉROSOLS POUR ALLUMER UN FEU DANS CE FOYER. GARDEZ TOUS CES LIQUIDES OU AÉROSOLS LOIN DU FOYER LORSQU'IL EST EN FONCTION.**

## ATTENTION

**NE PAS INSTALLER DANS UN FOYER.**

## MISE EN GARDE

**NE PAS OPÉRER LE POËLE AVEC LA PORTE OUVERTE. CELA POURRAIT GÉNÉRER UNE PERTE D'EFFICACITÉ, UN RISQUE D'INCENDIE, UNE COMBUSTION INCOMPLÈTE ET UNE EXPOSITION AU MONOXYDE DE CARBONE.**

## MISE EN GARDE

**MAINTENEZ UNE VENTILATION ADÉQUATE. IL EST IMPORTANT QUE SUFFISAMMENT D'OXYGÈNE SOIT FOURNI AU FEU POUR UNE COMBUSTION CORRECTE. PENDANT LA SAISON HIVERNALE, ASSUREZ-VOUS QUE L'ADMISSION D'AIR FRAIS EST DÉGAGÉE DE TOUTE GLACE, NEIGE, ETC., CAR CELA PRIVERAIT LE FEU D'AIR ET EMPÊCHERAIT LE FONCTIONNEMENT CORRECT DU POËLE. ASSUREZ-VOUS QUE LE VOLET ANTIREFOULEMENT DE L'ADMISSION D'AIR FRAIS FONCTIONNE LIBREMENT.**

## MISE EN GARDE

**UN DÉTECTEUR DE FUMÉE, UN DÉTECTEUR DE MONOXYDE DE CARBONE AINSI QU'UN EXTINCTEUR DEVRAIENT ÊTRE INSTALLÉS DANS LA MAISON. L'EMPLACEMENT DE L'EXTINCTEUR DEVRAIT ÊTRE CONNU DE TOUS LES MEMBRES DE LA FAMILLE.**

**UN DÉTECTEUR DE FUMÉE SITUÉ À PROXIMITÉ DU POËLE PEUT ÊTRE ACTIVÉ LORSQUE LA PORTE DU POËLE EST OUVERTE POUR RECHARGER OU AGITER.**

# TABLE DES MATIÈRES

<b>1. CONSIGNES DE SÉCURITÉ .....</b>	<b>2</b>
<b>2. INFORMATIONS GÉNÉRALES .....</b>	<b>5</b>
2.1 DIMENSIONS EXTÉRIEURES (DP00070) .....	5
2.2 DIMENSIONS EXTÉRIEURES (DP00071) .....	6
2.3 RÈGLEMENTS RÉGISSANT L'INSTALLATION D'UN POÊLE À GRANULES .....	6
2.4 LOCALISATION DE LA PLAQUE D'HOMOLOGATION .....	6
<b>3. DÉGAGEMENTS AUX MATÉRIAUX COMBUSTIBLES.....</b>	<b>7</b>
3.1 DÉGAGEMENTS AUX MURS ET PLAFOND .....	7
3.2 PROTECTION DE PLANCHER .....	8
<b>4. SYSTÈME D'ÉVENT .....</b>	<b>9</b>
4.1 GÉNÉRAL .....	9
4.2 RECOMMANDATIONS .....	9
4.3 LONGUEUR D'ÉVENT ÉQUIVALENT (LEE).....	9
4.3.1 DIAMÈTRE DU SYSTÈME D'ÉVENT RECOMMANDÉ .....	9
4.3.2 CONFORMITÉ DE L'INSTALLATION.....	10
4.4 LOCALISATION DE LA TERMINAISON.....	11
4.5 SYSTÈME D'ÉVACUATION DIRECT (ÉVACUATION ET ENTRÉE D'AIR 2 EN 1) .....	12
4.6 CONFIGURATIONS D'INSTALLATION .....	12
4.6.1 INSTALLATION À TRAVERS UN MUR (REZ-DE-CHAUSSÉ OU SOUS-SOL).....	12
4.6.2 INSTALLATION À TRAVERS LE TOIT .....	12
4.6.3 INSTALLATION À TRAVERS UNE CHEMINÉE PRÉFABRIQUÉE .....	13
4.6.4 INSTALLATION À TRAVERS UN FOYER DE MAÇONNERIE EXISTANT .....	13
4.6.5 INSTALLATION À TRAVERS UNE CHEMINÉE DE MAÇONNERIE.....	14
<b>5. INSTALLATION DE L'EXTENSION DE TRÉMIE OPTIONNELLE. ....</b>	<b>14</b>
<b>6. INSTALLATION DANS UNE MAISON MOBILE.....</b>	<b>15</b>
<b>7. INSTALLATION D'UN THERMOSTAT .....</b>	<b>15</b>
7.1 LOCALISATION DU THERMOSTAT .....	15
7.2 THERMOSTAT FIXE .....	16
7.3 THERMOSTAT SANS FIL.....	16
<b>8. APPORT D'AIR DE COMBUSTION .....</b>	<b>16</b>
8.1 SOURCES D'AIR DE COMBUSTION EXTÉRIEURE .....	17
<b>9. AVANT D'OPÉRER L'APPAREIL .....</b>	<b>18</b>
9.1 GÉNÉRAL .....	18
<b>10. SCHÉMA ÉLECTRIQUE .....</b>	<b>19</b>
<b>11. VUES EXPLOSÉES ET LISTE DE PIÈCES DP00070, DP00072 ET DP00071 ...</b>	<b>20</b>

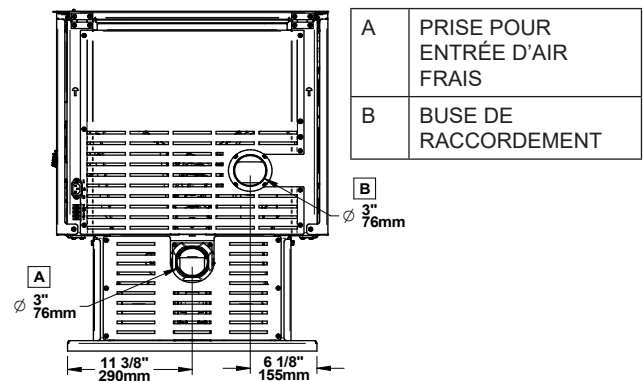
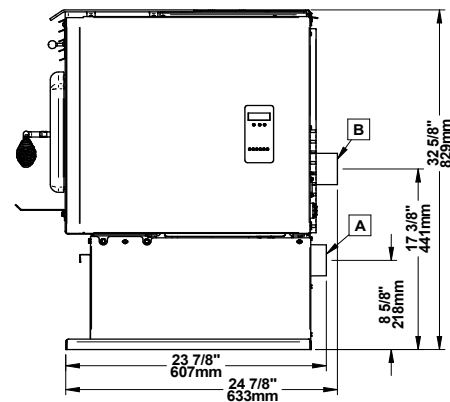
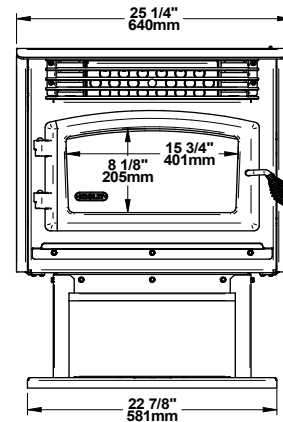
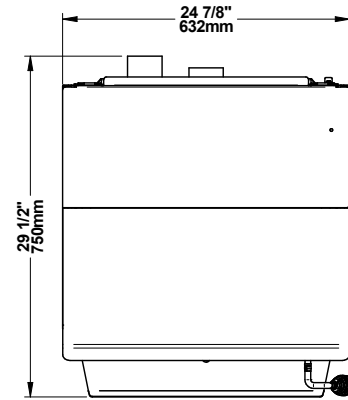


## 2. INFORMATIONS GÉNÉRALES

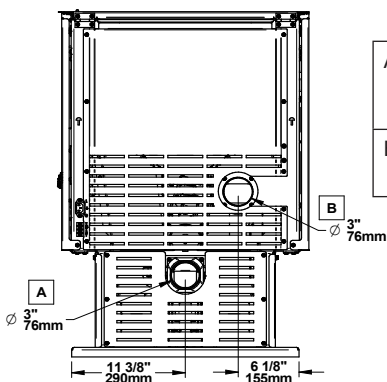
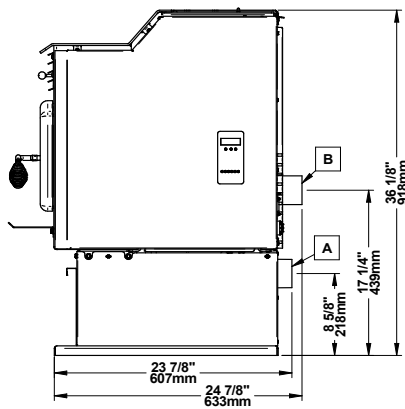
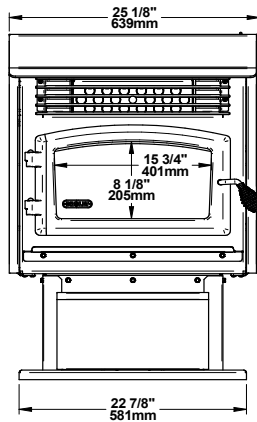
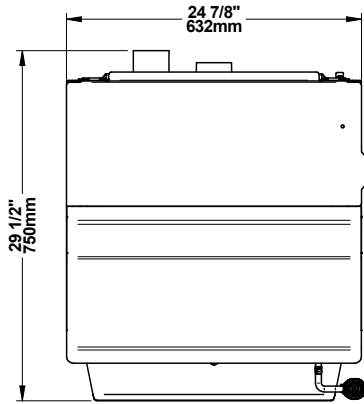
<b>Diamètre de cheminée recommandé</b>	3 po. (75 mm)
<b>Diamètre de la buse de raccordement</b>	3 po. (75 mm)
<b>Type de Cheminée</b>	ULC/ORD-C441 CAN/ULC S609 UL 641 (TYPE L)
<b>Approuvé pour installation en alcôve</b>	Oui
<b>Approuvé pour installation en maison mobile ‡</b>	Oui
<b>Poids à l'expédition (sans options)</b>	277 lb (DP00070,72) 286 lb (DP00071)
<b>Poids de l'appareil (sans options)</b>	235lb (DP00070,72) 242lb (DP00071)
<b>Normes d'émission de particules</b>	CSA B415.1-10 ASTM E2779
<b>Norme américaine (sécurité)</b>	ASTM E1509
<b>Norme canadienne (sécurité)</b>	ULC S627
<b>Spécifications électriques</b>	Tension et fréquence 120VAC et 60 Hz  Allumage : 3.02A

‡ Maison mobile (Canada) ou maison préfabriquée (É.-U.) : Le département américain du logement et du développement urbain décrit «maisons préfabriquées» mieux connues pour «maisons mobiles» comme suit ; bâtiments construits sur des roues fixes et ceux transportés sur des roues/essieux temporaires installées sur une fondation permanente. Au Canada, une maison mobile est une habitation dont l'assemblage de chaque composante est achevé ou achevé en grande partie avant le déplacement de celle-ci jusqu'à un emplacement pour y être placée sur des fondations, raccordé à des installations de service et qui rencontre la norme CAN/CSA-Z240 MH.

## 2.1 DIMENSIONS EXTÉRIEURES (DP00070-DP00072)



## 2.2 DIMENSIONS EXTÉRIEURES (DP00071)



A	PRISE POUR ENTRÉE D'AIR FRAIS
B	BUSE DE RACCORDEMENT

## 2.3 RÈGLEMENTS RÉGISSANT L'INSTALLATION D'UN POÊLE À GRANULES

Lorsqu'il est installé et utilisé tel que décrit dans les présentes instructions, ce poêle à granules convient comme appareil de chauffage d'appoint pour installation résidentielle.

Au Canada, il faut respecter le CSA B365 Installation des appareils de chauffage à combustible solide et du matériel connexe et le CSA C22.1 Code canadien de l'électricité en l'absence de code local.

Aux États-Unis, il faut suivre le ANSI NFPA 211 Standard for Chimneys, Fireplaces, Vents and Solid Fuel-Burning Appliances et le ANSI NFPA 70 National Electrical Code en l'absence de code local.

Ce poêle à granules doit être raccordé à un système d'évent conforme aux exigences de système d'évent pour appareil à granules de bois dans la norme pour cheminées préfabriquées de type résidentiel et appareils de chauffage de bâtiment, UL 103, UL 641, ULC S629M, CAN/ULC S609 et ULC/ORD C441 ou à une cheminée de maçonnerie approuvée selon le code avec une gaine de cheminée en acier inoxydable.

## 2.4 LOCALISATION DE LA PLAQUE D'HOMOLOGATION

Puisque les informations inscrites sur la plaque d'homologation de l'appareil ont toujours préséance sur les informations contenues dans tout autre média publié (manuels, catalogues, circulaires, revues ou sites web) il est important de vous y référer afin d'avoir une installation sécuritaire et conforme. De plus, vous y trouverez des informations importantes concernant votre appareil (modèle, numéro de série, etc.) Vous trouverez la plaque d'homologation à l'intérieur du panneau de la trémie.

### MISE EN GARDE

**N'UTILISEZ PAS DE MATÉRIAUX DE FORTUNE ET NE FAITES PAS DE COMPROMIS LORSQUE VOUS INSTALLEZ LE POÊLE.**

### 3. DÉGAGEMENTS AUX MATÉRIAUX COMBUSTIBLES

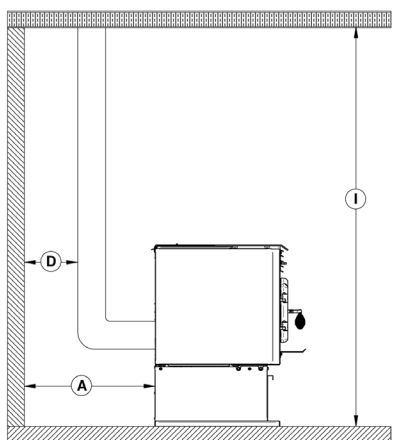
Les dégagements donnés dans la présente section s'appliquent au DP00070, DP00072 ainsi qu'au DP00071.

Les dégagements donnés dans la présente section ont été établis à partir d'essais conformément aux procédures décrites dans les normes ULC S627 (Canada) et ASTM E1509 (USA). Lorsque les dégagements minimums indiqués sont respectés, les surfaces combustibles ne surchaufferont pas en usage normal et même en usage anormal.

#### REMARQUE

Ces dégagements sont aussi **valides pour une installation dans une alcôve**. Par contre, si l'appareil est installé dans une alcôve, pour faire votre entretien vous devrez prévoir déplacer l'appareil pour accéder aux trappes de nettoyage et aux composants.

#### 3.1 DÉGAGEMENTS AUX MURSET PLAFOND



#### DÉGAGEMENTS MINIMAUX

	CANADA	É-U
<b>A*</b>	3" (76 mm)	3" (76 mm)
<b>D</b>	Note 1	Note 1
<b>I**</b>	48" (1 220 mm)	48" (1 220 mm)

\* À partir de la tôle arrière

\*\* Mesuré à partir de la plateforme sur laquelle le produit est déposé.

#### DÉGAGEMENTS RECOMMANDÉS POUR L'ENTRETIEN

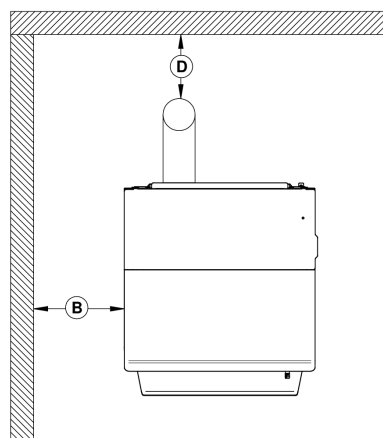
	CANADA	É-U
<b>A*</b>	12" (305 mm)	12" (305 mm)

#### ATTENTION

AUCUNE PARTIE DU POÊLE NE PEUT ÊTRE PLACÉE PLUS PRÈS DES MATÉRIAUX COMBUSTIBLES QUE LES DÉGAGEMENTS MINIMUMS INDIQUÉS SUR LA PLAQUE D'HOMOLOGATION.

#### ATTENTION

AUCUNE PARTIE DU SYSTÈME D'ÉVENT NE PEUT ÊTRE PLACÉE PLUS PRÈS DES MATÉRIAUX COMBUSTIBLES QUE LES DÉGAGEMENTS MINIMUMS INDIQUÉS PAR LE MANUFACTURIER DU SYSTÈME D'ÉVENT.



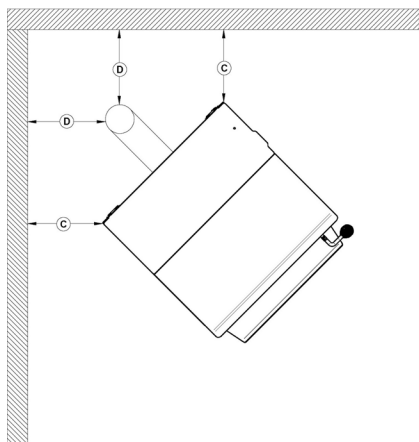
#### DÉGAGEMENTS MINIMAUX

	CANADA	É-U
<b>B</b>	6" (152 mm)	6" (152 mm)
<b>D</b>	Note 1	Note 1

#### DÉGAGEMENTS RECOMMANDÉS POUR L'ENTRETIEN

	CANADA	É-U
<b>B</b>	24" (610 mm)	24" (610 mm)

**Note 1 :** Se référer aux instructions du fabricant du système d'évent pour les dégagements aux matériaux combustibles.

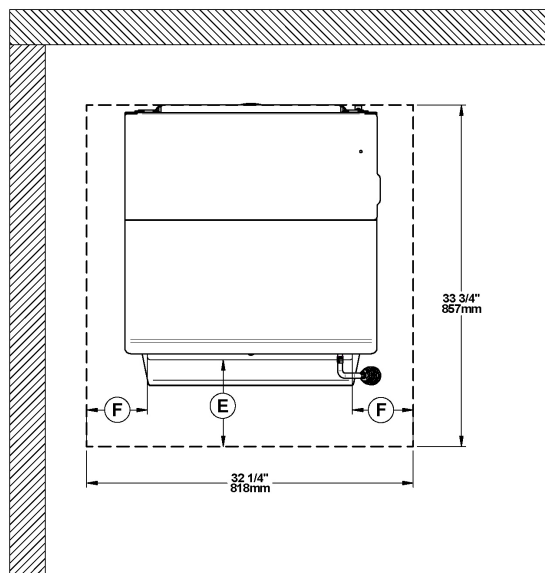


DÉGAGEMENTS MINIMAUX		
	CANADA	É-U
<b>C</b>	3" (76 mm)	3" (76 mm)
<b>D</b>	Note 1	Note 1

DÉGAGEMENTS RECOMMANDÉS POUR L'ENTRETIEN		
	CANADA	É-U
<b>C</b>	12" (305 mm)	12" (305 mm)
<b>D</b>	Note 1	Note 1

**Note 1 :** Se référer aux instructions du fabricant du système d'évent pour les dégagements aux matériaux combustibles.

### 3.2 PROTECTION DE PLANCHER



PROTECTION DE PLANCHER		
	CANADA**	É-U
<b>E</b>	6" (152 mm) De l'ouverture de porte	6" (152 mm) De l'ouverture de porte
<b>F</b>	6" (152 mm) De l'ouverture de porte	6" (152 mm) De l'ouverture de porte

MISE EN GARDE
<b>LE POËLE DOIT ÊTRE PLACÉ SUR UNE SURFACE INCOMBUSTIBLE CONTINUE TELLE QUE DE LA CÉRAMIQUE*, UN PANNEAU DE BÉTON, DE LA BRIQUE, UN PANNEAU D'AGGLOMÉRÉ INCOMBUSTIBLE OU TOUT AUTRE MATÉRIEL ÉQUIVALENT, APPROUVÉ COMME PROTECTION DE PLANCHER.</b>

\*La céramique doit être placée sur un panneau incombustible continu afin d'éviter que des tisons puissent être mis en contact avec le plancher à travers des fissures ou des manques dans le coulis de la céramique, ceci inclut la protection de plancher pour les âtres de foyers déjà existants. Vérifier le code local pour les alternatives approuvées.

\*\*Vous pouvez utiliser les dimensions de la protection de plancher mentionnées dans le tableau précédent SEULEMENT si vous acceptez d'attendre que l'unité soit complètement éteinte, c'est-à-dire qu'il n'y ait plus de feu dans le pot de combustion et que les ventilateurs soient éteints, avant d'ouvrir la porte de l'unité ou d'enlever le tiroir à cendres. Sinon, voir CSA B365.

## 4. SYSTÈME D'ÉVENT

### MISE EN GARDE

**RACCORDER LE POÊLE SEULEMENT À UN SYSTÈME D'ÉVENT HOMOLOGUÉ POUR UTILISATION AVEC DU COMBUSTIBLE SOLIDE OU À UNE CHEMINÉE CONFORME AUX CODES DU BÂTIMENT NATIONAL ET LOCAL.**

### MISE EN GARDE

**NE JAMAIS RACCORDER CE POÊLE À TOUT AUTRE SYSTÈME D'ÉVACUATION SERVANT À UN AUTRE APPAREIL.**

### MISE EN GARDE

**AFIN D'ASSURER UNE PERFORMANCE CONSTANTE ET ÉVITER LES REFOULEMENTS DE FUMÉE ET DE CENDRES, LES JOINTS DU SYSTÈME D'ÉVENT DOIVENT ÊTRE SCELLÉS HERMÉTIQUEMENT ET INSTALLÉS CORRECTEMENT SELON LES INSTRUCTIONS DU MANUFACTURIER DU SYSTÈME D'ÉVENT.**

### MISE EN GARDE

**NE PAS INSTALLER DE REGISTRE MANUEL SUR LE SYSTÈME D'ÉVENT DE CET APPAREIL.**

### MISE EN GARDE

**NE PAS RACCORDER À UN SYSTÈME OU À UN CONDUIT DE DISTRIBUTION D'AIR.**

### MISE EN GARDE

**LE SYSTÈME D'ÉVENT DEVRAIT ÊTRE INSPECTÉ AU MOINS DEUX FOIS PAR ANNÉE POUR PRÉVENIR TOUTE ACCUMULATION DE SUIE OU DE CRÉOSOTE.**

### 4.1 GÉNÉRAL

Même si le tirage de la cheminée est mécanique, la bonne configuration du système d'évent assurera un tirage naturel qui permettra d'éviter un épanchement de fumée dans la maison, surtout si une panne de courant survient. De plus, une bonne configuration du système d'évent aidera à obtenir un meilleur rendement de votre poêle lorsqu'il est installé en conformité avec la LEE requise.

## 4.2 RECOMMANDATIONS

Au Canada, nous recommandons l'usage d'un système d'évent répondant aux exigences des normes CAN/ULC S609 ou ULC/ORD-C441. Un système d'évent répondant aux exigences des normes ULC S629M peut aussi être utilisé.

Aux États-Unis, nous recommandons l'usage d'un système d'évent répondant aux exigences de la norme UL-641. Un système d'évent répondant aux exigences des normes UL 103 peut aussi être utilisé.

Ce poêle peut également être raccordé à une cheminée existante à l'aide d'une gaine en acier inoxydable, si la cheminée a plus de 4" de diamètre. Au Canada, cette gaine doit répondre aux exigences des normes ULC S635 CAN/ULC S640 et aux États-Unis à la norme UL 1777. Référez-vous aux instructions fournies par le fabricant du système d'évent, et ce, spécialement lorsqu'il s'agit de passer au travers un mur, un plafond ou le toit.

### 4.3 LONGUEUR D'ÉVENT ÉQUIVALENT (LEE)

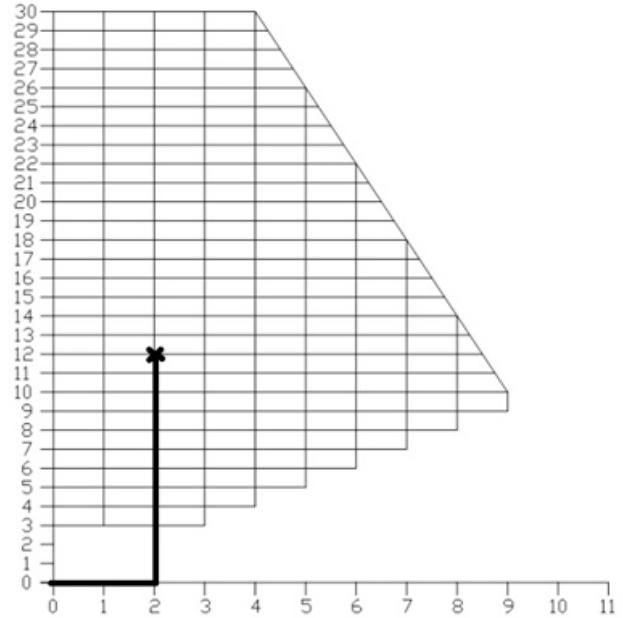
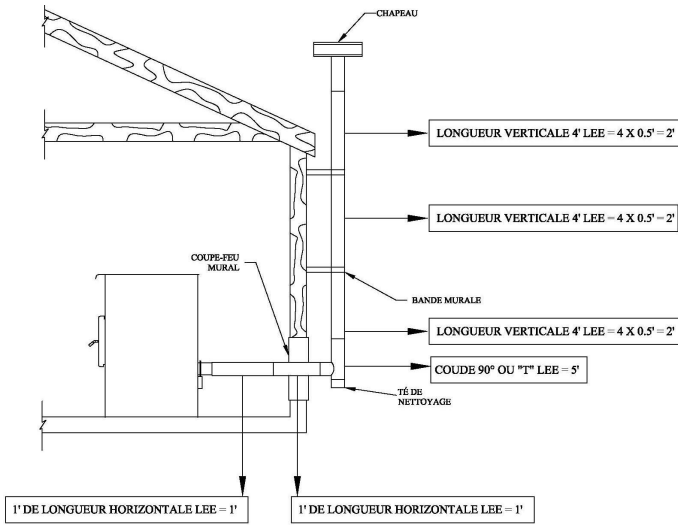
#### 4.3.1 DIAMÈTRE DU SYSTÈME D'ÉVENT RECOMMANDÉ

Le diamètre intérieur de tuyau d'évacuation recommandée est de 3". Utilisez un tuyau de 4" si vous avez plus de 15 pieds de longueur d'évent équivalent (LEE).

Pour calculer la longueur d'évent équivalent de votre installation, utilisez les conversions suivantes:

Qté	Type de tuyau	Longueur équivalente (LEE)
1	Coude 90° ou T	5 pieds
1	Coude 45°	3 pieds
1 pied	tuyau horizontale	1 pied
1 pied	Tuyau vertical	0.5 pied

Voici un exemple pour vous aider à calculer la longueur de l'évent équivalente. L'installation sur la figure suivante se calcule comme suit :



FRANÇAIS

2 pi de long. horizontale (2 X 1' LEE)	= 2' de LEE
Coude 90° or «Té» (1 X 5' LEE)	= 5' de LEE
12 pi de long. verticale (12 X 0.5' LEE)	= 6' de LEE
Terminaison / Chapeau	= 0' de LEE
<b>Total LEE</b>	<b>= 13' de LEE</b>

Puisque la LEE totale est de moins de 15 pieds, le diamètre du système d'évent recommandé est de 3".

#### REMARQUE

Ne jamais dépasser 30 pieds de LEE.

#### 4.3.2 CONFORMITÉ DE L'INSTALLATION

Afin de déterminer si l'installation est conforme, la terminaison de l'installation doit se faire dans la partie quadrillée de la charte du système d'évent. L'installation précédente comporte 2 pieds de longueur horizontale et 12 pieds de longueur verticale. Elle serait donc conforme puisque la terminaison se retrouve dans la partie quadrillée.

#### REMARQUE

Les longueurs de tuyaux horizontales ne doivent pas dépasser 9 pieds.

#### MISE EN GARDE

**POUR RÉDUIRE LE RISQUE DE REFOULEMENT DE FUMÉE, NE JAMAIS TERMINER AVEC UNE COURSE HORIZONTALE. SI VOTRE SYSTÈME TERMINE AVEC UNE COURSE HORIZONTALE, AJOUTEZ UN MINIMUM DE TROIS PIEDS DE COURSE VERTICALE.**

#### ATTENTION

**LA TERMINAISON NE DEVRAIT PAS ÊTRE LOCALISÉE DANS UN ENDROIT OÙ LES GAZ D'ÉCHAPPEMENT PEUVENT PRÉSENTER UN DANGER. LES GAZ D'ÉCHAPPEMENT PEUVENT ATTEINDRE 500 °F (260°C) ET PEUVENT CAUSER DES BRÛLURES SÉRIEUSES.**

#### ATTENTION

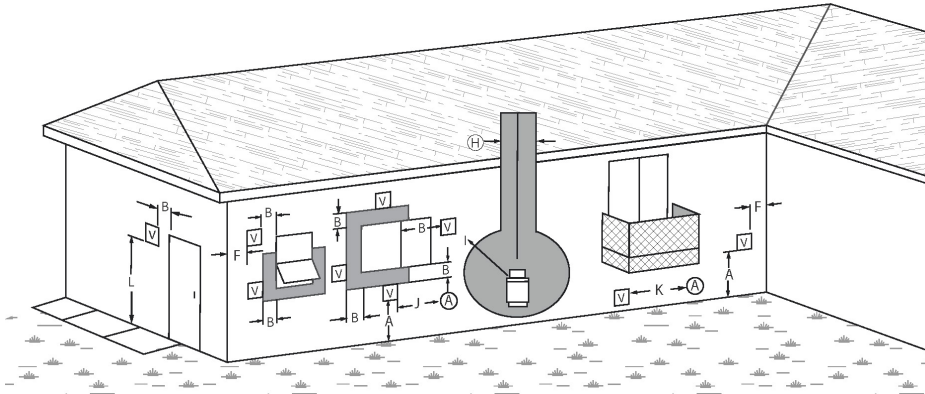
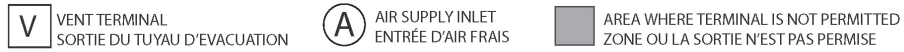
**L'INSTALLATION D'UN GRILLAGE PARE-ÉTINCELLES SUR LA TERMINAISON DE L'ÉVENT EST OBLIGATOIRE.**



## 4.4 LOCALISATION DE LA TERMINAISON

### CANADA

Consultez la norme NFPA 211 ou CSA B365 (Canada) pour en apprendre davantage sur les règlements relatifs à la distance de la terminaison murale par rapport aux fenêtres et aux portes. La terminaison murale d'un système doté d'un tirage mécanique, autre qu'un appareil à évacuation directe doit être située conformément aux spécifications suivantes.



	Dégagements	Description
<b>A</b>	12" (30 cm)	Dégagement au-dessus du niveau du sol ou de toute surface adjacente pouvant supporter la neige, la glace ou les débris.
<b>B</b>	39" (100 cm)	Dégagement autour d'une fenêtre ou d'une porte qui peut s'ouvrir.
<b>F</b>	39" (100 cm)	Dégagement d'un coin, d'un mur adjacent ou de tout autre matériel combustible.
<b>H</b>	39" (100 cm)	Dégagement de chaque côté à partir du centre d'un régulateur/compteur à gaz et se prolongeant verticalement à 15 pi.
<b>I</b>	72" (183 cm)	Dégagement de la sortie de l'évent d'un régulateur à gaz ou 39" (100 cm) de l'évent ou de l'orifice de remplissage d'un réservoir d'huile.
<b>J</b>	39" (100 cm)	Dégagement de l'entrée d'air de combustion d'un autre appareil.
<b>K</b>	72" (183 cm)	Dégagement d'une entrée d'air mécanique.
<b>L</b>	84" (213 cm)	Dégagement au-dessus d'un trottoir revêtu ou d'une entrée revêtue située sur une propriété publique.
	39" (100 cm)	Dégagement par rapport à la limite de la propriété.
		Aucune terminaison murale ne peut se trouver en dessous d'une véranda, d'un patio ou d'un balcon.
		Une sortie ne doit pas être installée au-dessus d'un trottoir ou d'une entrée revêtue située entre deux maisons unifamiliales et utilisée par les deux habitations.

### États-Unis :

- Pas moins de 36" (91 cm) au-dessus de toute prise d'air forcé située à moins de 120" (305 cm).
- Pas moins de 48" (122 cm), horizontalement et en dessous, ou 12" (30 cm) au-dessus d'une fenêtre, porte, ou toute autre prise d'air fonctionnant par gravité.
- Pas moins de 24" (61 cm) d'une bâtisse adjacente et au moins 84" (213 cm) au-dessus du trottoir si la terminaison est adjacente à une voie publique.
- À plus de 12" (30 cm) au-dessus du niveau du sol.
- La terminaison ne peut être située au-dessus d'un compteur de gaz/régulateur dans un rayon de 36" (91 cm) de la ligne centrale du régulateur.
- À plus de 6 pieds (183cm) de la sortie d'évent d'un régulateur de gaz.
- D'autres restrictions peuvent s'appliquer. Voir NFPA 211 pour plus d'information.

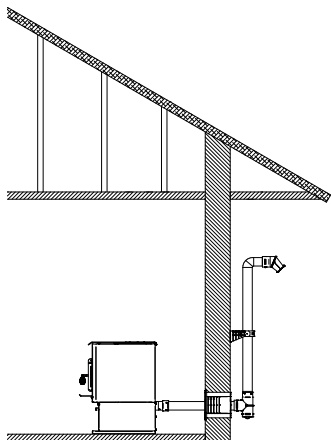
## 4.5 SYSTÈME D'ÉVACUATION DIRECT (ÉVACUATION ET ENTRÉE D'AIR 2 EN 1)

**Au Canada :** Les localisations permises pour la terminaison d'un système d'évacuation direct sont les mêmes que celles permises pour la terminaison d'un système d'évacuation pour granules standard.

**Aux États-Unis :** Les localisations permises pour la terminaison d'un système d'évacuation direct sont les mêmes que celles permises pour la terminaison d'un système d'évacuation pour granule standard sauf pour la suivante : La terminaison doit être à une distance minimale de 9" (23 cm) de toute ouverture par laquelle les gaz de combustion pourraient entrer dans le bâtiment.

## 4.6 CONFIGURATIONS D'INSTALLATION

### 4.6.1 INSTALLATION À TRAVERS UN MUR (REZ-DE-CHAUSSÉ OU SOUS-SOL)

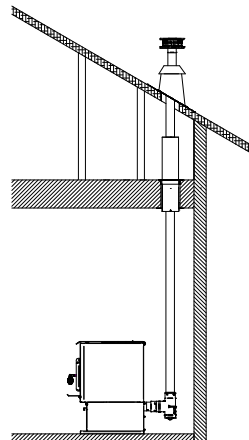


1. Positionnez le poêle en respectant les dégagements du fabricant du poêle et du système d'évent.
2. Installez un adaptateur pour poêle ou un adaptateur en té pour poêle sur la buse de raccordement.
3. Marquez la position de la buse de raccordement au mur derrière et découpez un trou de la taille appropriée pour le système d'évent.
4. Installez le coupe-feu mural selon les instructions du fabricant.
5. Raccordez suffisamment de sections pour faire dépasser le tuyau horizontal d'environ 6" par rapport au mur extérieur. Installez un té sur l'évent qui traverse le mur.
6. Installez une section de tuyau verticale d'une longueur d'au moins 36" du mur. Référez-vous aux

instructions du fabricant d'évent pour les dégagements aux matériaux combustibles ainsi que pour l'utilisation de supports muraux.

7. Installez un coude 90 degrés face opposée au mur, puis fixez un coude 45 degrés faisant face vers le sol. Un grillage pare-étincelles doit être fixé sur la terminaison du coude 45 degrés.
8. Scellez le coupe-feu mural extérieur à l'aide d'un adhésif flexible (silicone) haute température résistant à l'eau.

### 4.6.2 INSTALLATION À TRAVERS LE TOIT

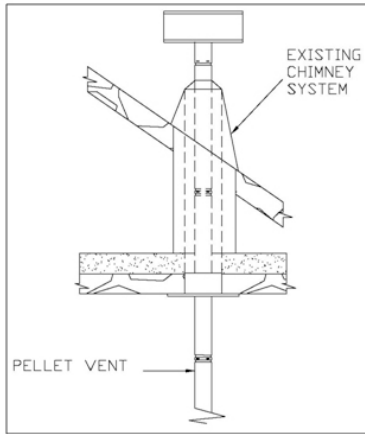


1. Positionnez le poêle en suivant les dégagements du fabricant du poêle et du système d'évent.
2. Installez un adaptateur pour poêle ou un adaptateur en té pour poêle sur la buse d'évacuation. Au besoin, utilisez une longueur additionnelle horizontale entre la buse de raccordement et le « té ».
3. Placez le fil à plomb au-dessus du centre de l'orifice de sortie du té et placez un point au plafond.
4. Découpez un trou pour installer le support de plafond. Faites un châssis autour de l'ouverture brute.
5. Installez le support de plafond et la première section de tuyau d'évacuation en suivant les instructions du fabricant.
6. Installez un coupe-feu radiant pour tous les plafonds/planchers subséquents, sauf pour le grenier où un coupe-feu pour grenier est requis.
7. Raccordez le nombre de sections de tuyaux requis pour que le chapeau dépasse le dessus du toit d'au moins 24" aux États-Unis et d'au moins 36" au Canada.
8. Fixez le support de toit.
9. Installez le solin et le chapeau de cheminée selon les instructions du fabricant. Si nécessaire, installez et scellez un collet de solin.

### 4.6.3 INSTALLATION À TRAVERS UNE CHEMINÉE PRÉFABRIQUÉE

#### REMARQUE

Avant l'installation, la cheminée préfabriquée doit être nettoyée et inspectée par un ramoneur ou un installateur qualifié.



1. Positionnez le poêle en suivant les dégagements ainsi que les instructions du fabricant du système d'évent.
2. Installez un adaptateur pour poêle ou un adaptateur en té pour poêle sur la buse. Au besoin, utilisez une longueur additionnelle horizontale entre la buse et le « té ».
3. Utilisez un adaptateur de cheminée approprié pour l'installation.
4. Raccordez le nombre de sections de tuyaux requis pour passer à travers l'adaptateur de cheminée jusque dans la cheminée.
5. Raccordez le tuyau à une gaine en acier inoxydable de 4" conformément aux instructions du fabricant du système d'évent.
6. Installez le solin et le chapeau de cheminée selon les instructions du fabricant. Si nécessaire, installez et scellez un collet de solin.

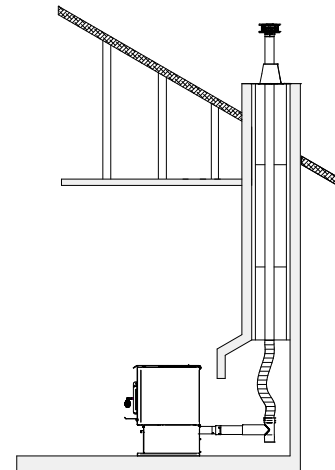
#### REMARQUE

Aux États-Unis, l'utilisation d'une gaine en acier inoxydable est obligatoire. Au Canada, elle n'est pas obligatoire, mais fortement recommandée.

### 4.6.4 INSTALLATION À TRAVERS UN FOYER DE MAÇONNERIE EXISTANT

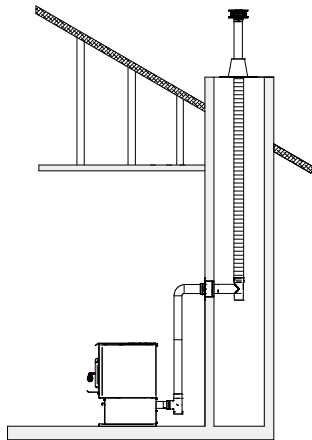
#### REMARQUE

La condition structurelle de la cheminée de maçonnerie doit tout d'abord être inspectée par un ramoneur ou un installateur qualifié. Vous aurez besoin d'une longueur de tuyau égale à la longueur de la cheminée, à partir du foyer. Si vous devez utiliser un conduit d'apport d'air, vous aurez besoin d'une longueur de tuyau supérieure de 12" à 18" (30 à 46 cm) de la cheminée pour assurer un bon fonctionnement de l'appareil.



1. Positionnez le poêle en suivant les dégagements ainsi que les instructions du fabricant du système d'évent.
2. Installez un adaptateur pour poêle ou un adaptateur en té pour poêle sur la buse. Au besoin, utilisez une longueur additionnelle horizontale entre la buse et le « té ».
3. Utilisez un adaptateur de cheminée approprié pour l'installation.
4. Raccordez le nombre de sections de tuyaux requis pour passer à travers l'adaptateur de cheminée jusque dans la cheminée.
5. Raccordez le tuyau à une gaine en acier inoxydable de 4" conformément aux instructions du fabricant du système d'évent.
6. Installez le solin et le chapeau de cheminée selon les instructions du fabricant. Si nécessaire, installez et scellez un collet de solin.

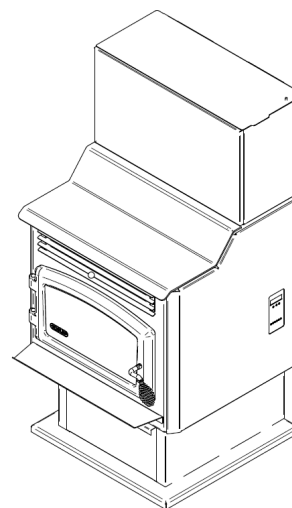
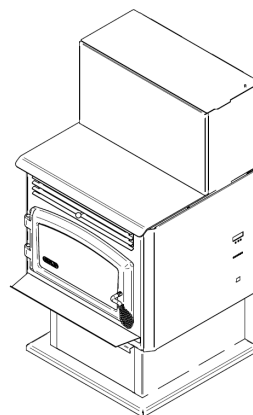
#### 4.6.5 INSTALLATION À TRAVERS UNE CHEMINÉE DE MAÇONNERIE.



1. Positionnez le poêle en suivant les dégagements ainsi que les instructions du manufacturier du système d'évent.
2. Faites une marque à l'endroit où le tuyau entrera dans la maçonnerie.
3. Il est nécessaire de faire un trou dans la maçonnerie d'un pouce de diamètre de plus que le diamètre d'évent utilisé.
4. Installez un "té" de nettoyage dans la partie inférieure du tuyau d'évacuation jusqu'à ce que le centre de la buse de raccordement du "té" soit aligné avec le centre du trou dans la maçonnerie.
5. Raccordez la section horizontale du tuyau d'évacuation en l'alignant avec la buse de raccordement du "té". Poussez le tuyau horizontal à travers le trou de maçonnerie en le tournant pour bien le raccorder au "té" de la gaine.
6. Une fois le tuyau horizontal en place, vous pouvez sceller le joint dans la maçonnerie avec du mortier.
7. Mesurez et fabriquez un solin pour mettre au-dessus de la cheminée. Une plaque et des vis en acier inoxydable sont idéales. Coupez un trou pour le tuyau d'évacuation. Si nécessaire, coupez un second trou pour le tuyau de prise d'air extérieur. Scellez les joints avec du silicone haute température résistant à l'eau.
8. Installez et scellez le solin avec du silicone haute température résistante à l'eau.
9. Installez le chapeau de cheminée. Si nécessaire, installez et scellez un collet de solin.
10. Si désiré, installez un collet décoratif et utilisez la longueur horizontale nécessaire pour raccorder l'appareil à la cheminée.

#### 5. INSTALLATION DE L'EXTENSION DE TRÉMIE OPTIONNELLE.

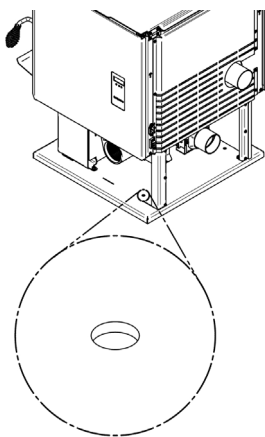
Afin d'augmenter la capacité de la trémie, il est possible d'installer une extension de trémie, vendue séparément. Consultez votre détaillant ou notre site internet pour plus de détails.



## 6. INSTALLATION DANS UNE MAISON MOBILE

### REMARQUE

Pour l'installation en maison mobile, il est obligatoire de relier le poêle à une source d'air de combustion extérieur. Le tuyau isolé ne devrait pas avoir plus de 10 pieds.



Lorsqu'installé dans une maison mobile, ce poêle doit être ancré au sol avec des vis. Utilisez les deux trous d'ancrage (A) situés de chaque côté du socle. Pour une utilisation dans une maison mobile au Canada, ce poêle à granules doit être raccordé à un système d'évent homologué selon la norme ULC/ORD C441 ou CAN/ULC S609. Un système d'évent répondant aux exigences des normes ULC S629M peut aussi être utilisé.

Pour une utilisation dans une maison mobile aux États-Unis, ce poêle à granules doit être raccordé à un système d'évent répondant aux exigences de la norme UL 641. Un système d'évent répondant aux exigences de la norme UL 103 peut aussi être utilisé.

## 7. INSTALLATION D'UN THERMOSTAT

L'utilisation d'un thermostat vous aidera à maintenir une température plus constante dans la maison. Un thermostat à bas voltage (24 volts) est nécessaire. Un thermostat mural fixe ou télécommandé peut être utilisé.

### REMARQUE

Les instructions du fabricant du thermostat ont toujours préséance sur les informations publiées dans la section suivante.

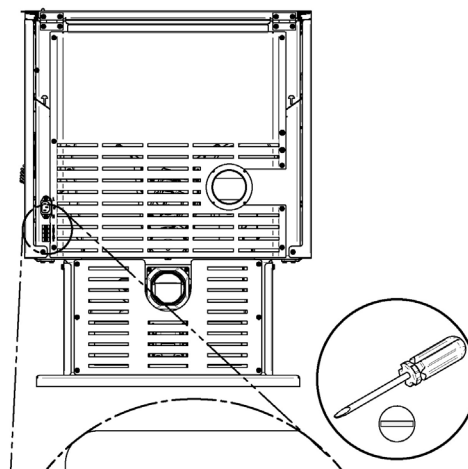
## 7.1 LOCALISATION DU THERMOSTAT

La localisation du thermostat est très importante afin d'obtenir le confort et l'efficacité de votre poêle.

Placez le thermostat 4 à 5 pieds au-dessus du sol ou en conformité avec les codes du bâtiment applicables.

Installez le thermostat dans un endroit qui offre une bonne circulation d'air et évitez les zones derrière les portes, près des coins, des bouches d'aération, des systèmes d'éclairage, du soleil direct ou tous dispositifs générateurs de chaleur.

Si vous installez le thermostat dans la même pièce que le poêle, il devrait également être situé à au moins 15 à 20 pieds du poêle. Pour éviter le cyclage, vous devriez éviter d'installer le thermostat sur un mur extérieur mal isolé ou directement en face du poêle.



A	Thermostat
B	Minimum 15'

### REMARQUE

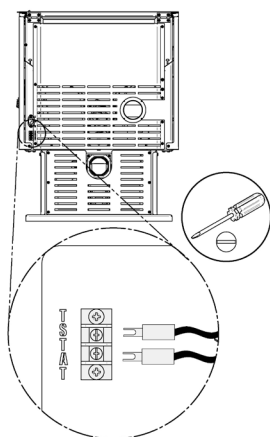
L'installation du thermostat devant le poêle ou devant une fenêtre fera cyclé le poêle et usera prématurément les composantes. Référez-vous au manuel d'opération pour plus de détails sur l'utilisation appropriée du mode pilote.



## 7.2 THERMOSTAT FIXE

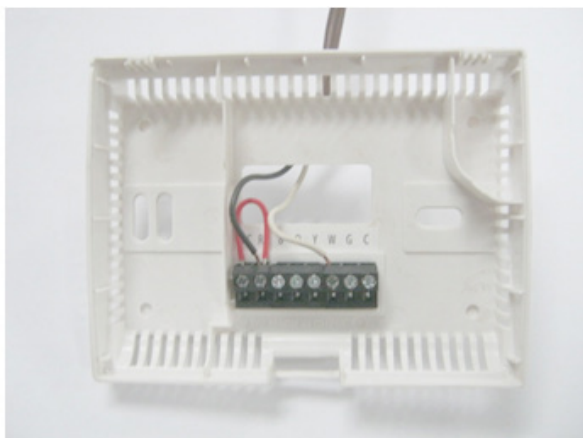
Avant d'installer le thermostat, débranchez le cordon d'alimentation de la prise de courant.

Tout d'abord, connectez les deux fils du thermostat à la borne située à l'arrière sur le côté droit du poêle en lui faisant face. Pour ce faire, desserrez les deux vis du milieu du bornier et insérez les fils dans les bornes. Serrez les deux vis.



Ensuite, ouvrez le boîtier du thermostat et branchez les fils en suivant les instructions du fabricant.

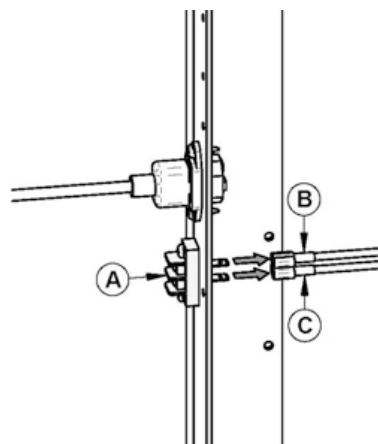
Raccordez un fil sur «RH» et l'autre fil sur «W». Le cavalier rouge peut être laissé en place. Pour de plus amples informations, se référer aux instructions du fabricant du thermostat.



## 7.3 THERMOSTAT SANS FIL

Si vous utilisez un thermostat sans fil ou une télécommande, branchez les deux fils du récepteur à la borne située à l'arrière sur le côté droit du poêle en lui faisant face. Si les fils du récepteur sont équipés de bornes à connexion rapide, vous pouvez les connecter directement au harnais de câblage situé à l'intérieur du poêle.

Pour ce faire, ouvrez le panneau latéral décoratif droit et débranchez les deux câbles (B) et (C) du harnais attachés à l'arrière du bornier (A) et les relier aux fils du récepteur.

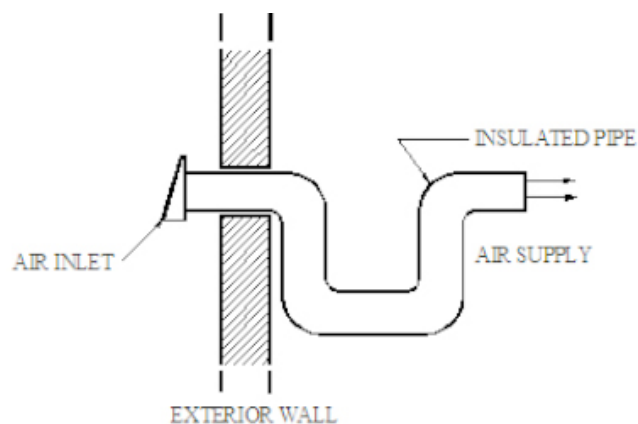


## 8. APPORT D'AIR DE COMBUSTION

### REMARQUE

Pour l'installation dans une maison mobile, il est obligatoire de relier le poêle à une source d'air de combustion extérieur. Le tuyau isolé ne devrait jamais dépasser 10 pieds.

Il est recommandé d'installer une entrée d'air extérieur dans ou à proximité de la pièce où est installé le poêle. Ce faisant, il est préférable de choisir un mur qui n'est pas exposé aux vents dominants, adapté aux conditions entourant votre maison.

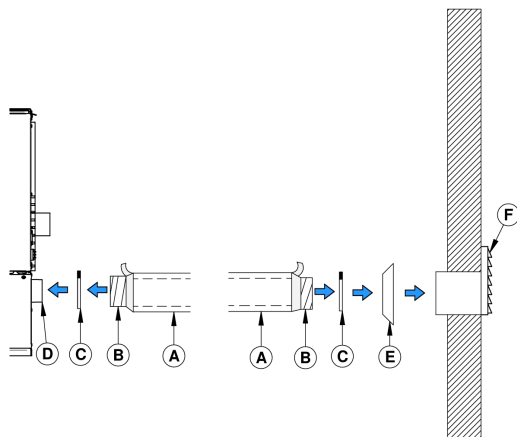




Un tuyau métallique isolé de 3" de diamètre intérieur, souple ou rigide, doit être relié à l'adaptateur d'air frais (D).

Pour compléter l'installation, faites un trou de 1/4" à 1/2" (6 mm à 13 mm) de plus que le diamètre du tuyau dans le mur extérieur de la maison à l'endroit choisi.

De l'extérieur, placez la bouche d'air extérieure (E) dans le trou (la face ouverte vers le bas) et fixez la bouche au mur à l'aide de vis. Posez le tuyau isolé (A) sur le tube de la bouche et sur le raccord d'air extérieur du foyer (D). À chaque extrémité, retirez délicatement l'isolant et l'enveloppe de plastique, pour exposer le tuyau flexible. Fixez le tuyau flexible à l'aide de collets de serrage (C).



Si vous désirez un joint plus étanche, utilisez du ruban d'aluminium. Collez le ruban autour du joint entre le tuyau flexible et les prises d'air. Remplacez délicatement l'isolant et l'enveloppe de plastique sur le tuyau. Fixez le plastique à l'aide de ruban d'aluminium.

Une protection contre les rongeurs, fabriqué d'un treillis métallique de minimum 1/4" doit être installée à la terminaison (E).

Toutes les connexions doivent être scellées, soit en utilisant le collet de serrage de taille appropriée ou du ruban métallique UL-181-AP.

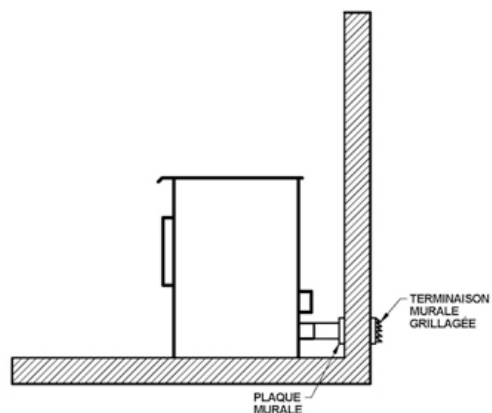
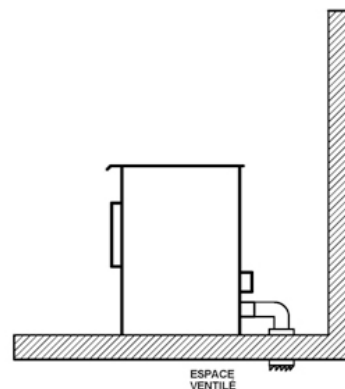
Assurez-vous également que le volet anti-retour d'air frais fonctionne librement. Le volet anti-retour est situé à l'arrière du poêle.

## 8.1 SOURCES D'AIR DE COMBUSTION EXTÉRIEURE

### MISE EN GARDE

**IL EST INTERDIT DE PUISER L'AIR DE COMBUSTION DU SOUS-SOL, DU GRENIER, D'UN GARAGE OU DE TOUT ESPACE CLOS.**

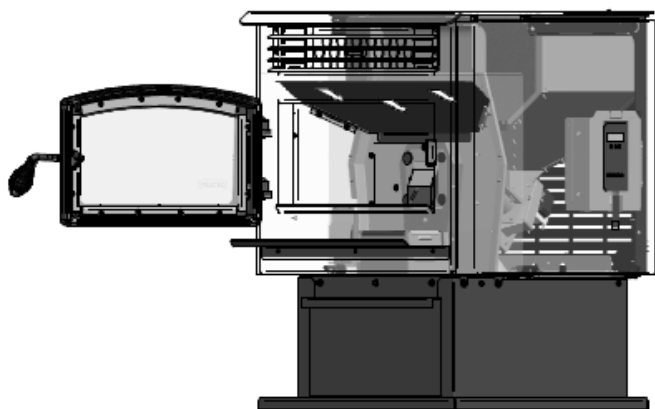
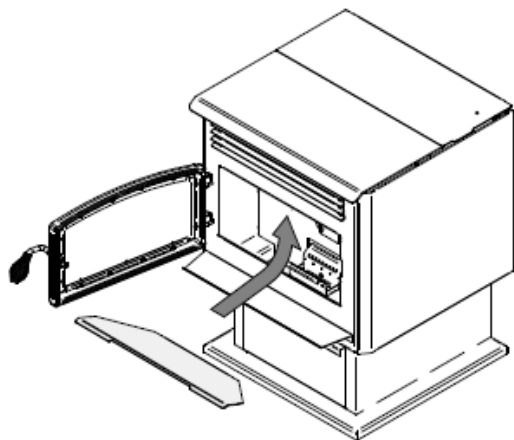
- Vous pouvez tirer l'air à partir d'un vide sanitaire ventilé sous le plancher.
- Vous pouvez tirer l'air directement à partir d'un mur extérieur, derrière le poêle.



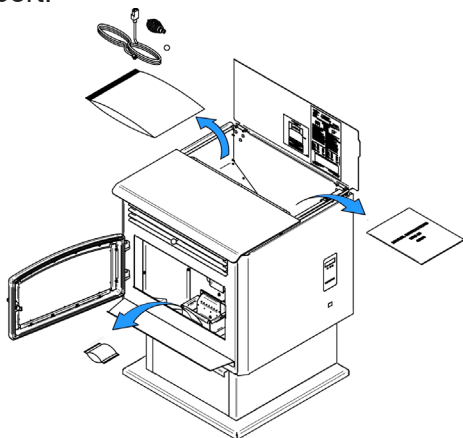
## 9. AVANT D'OPÉRER L'APPAREIL

### 9.1 GÉNÉRAL

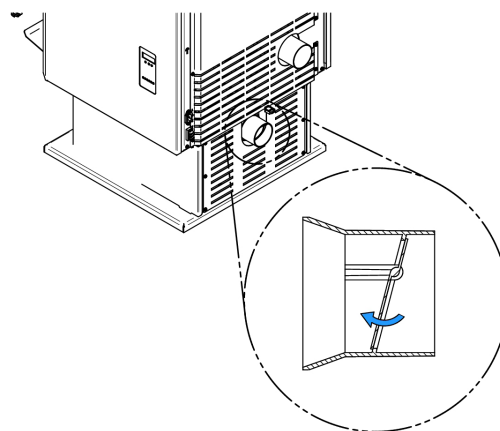
Installez le coupe-feu.



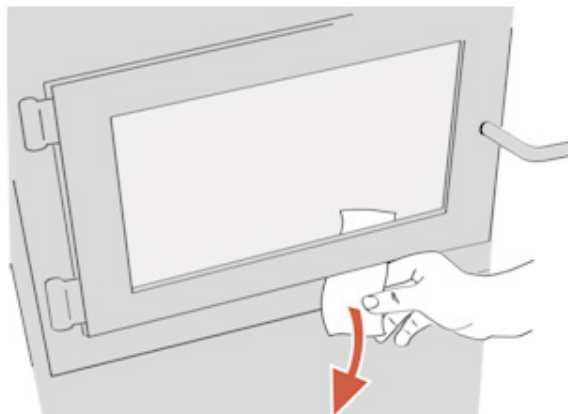
Assurez-vous de retirer tous les outils et autres accessoires qui ont été logés dans votre appareil pour le transport.



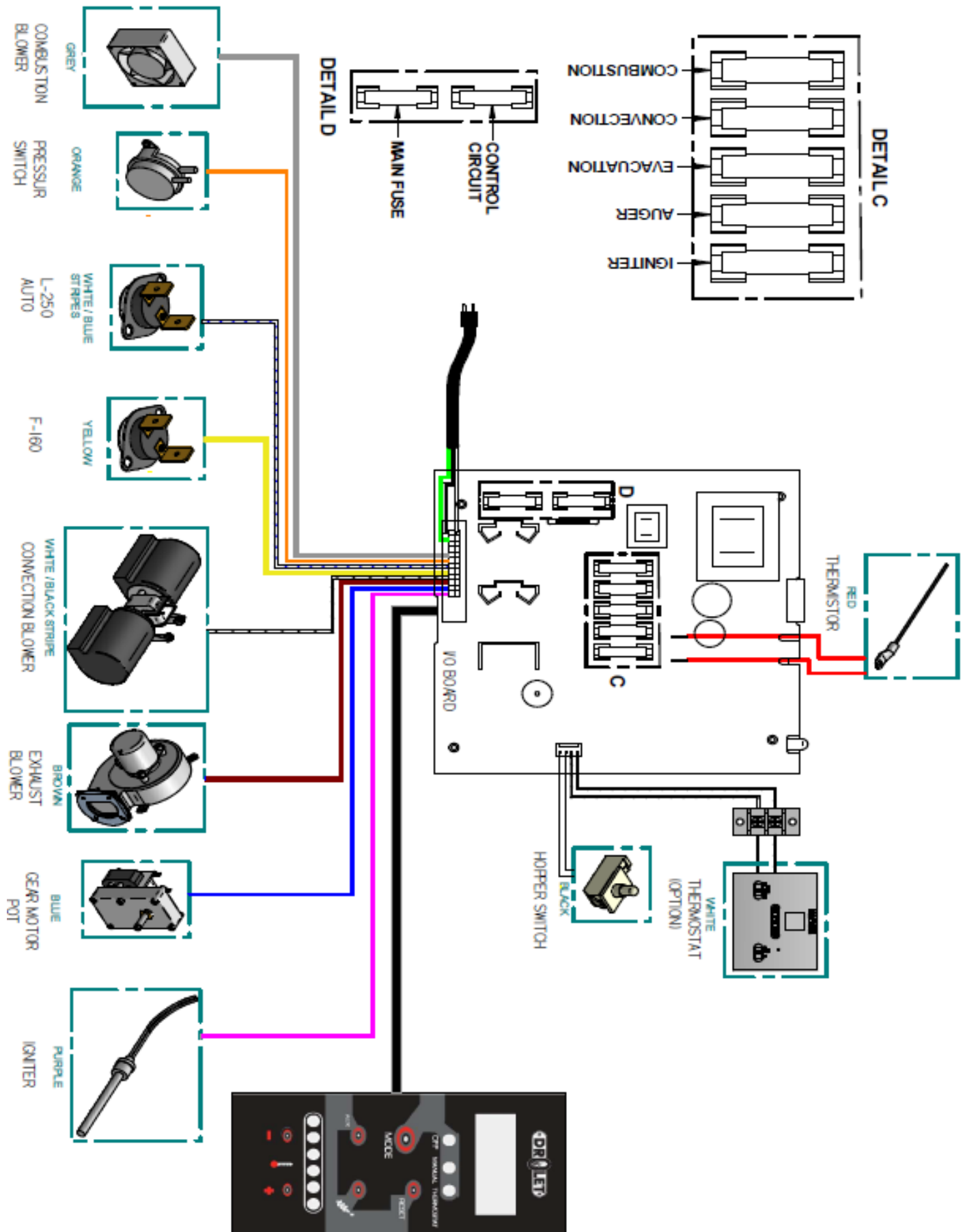
Vérifiez que le clapet anti-retour d'entrée d'air frais fonctionne librement.



Vérifiez l'étanchéité de la porte en fermant et en verrouillant la porte sur un bout de papier. Vérifiez tout le tour de la porte. Le papier ne devrait pas glisser facilement. Si le papier glisse facilement, voir la section maintenance du manuel d'opération.



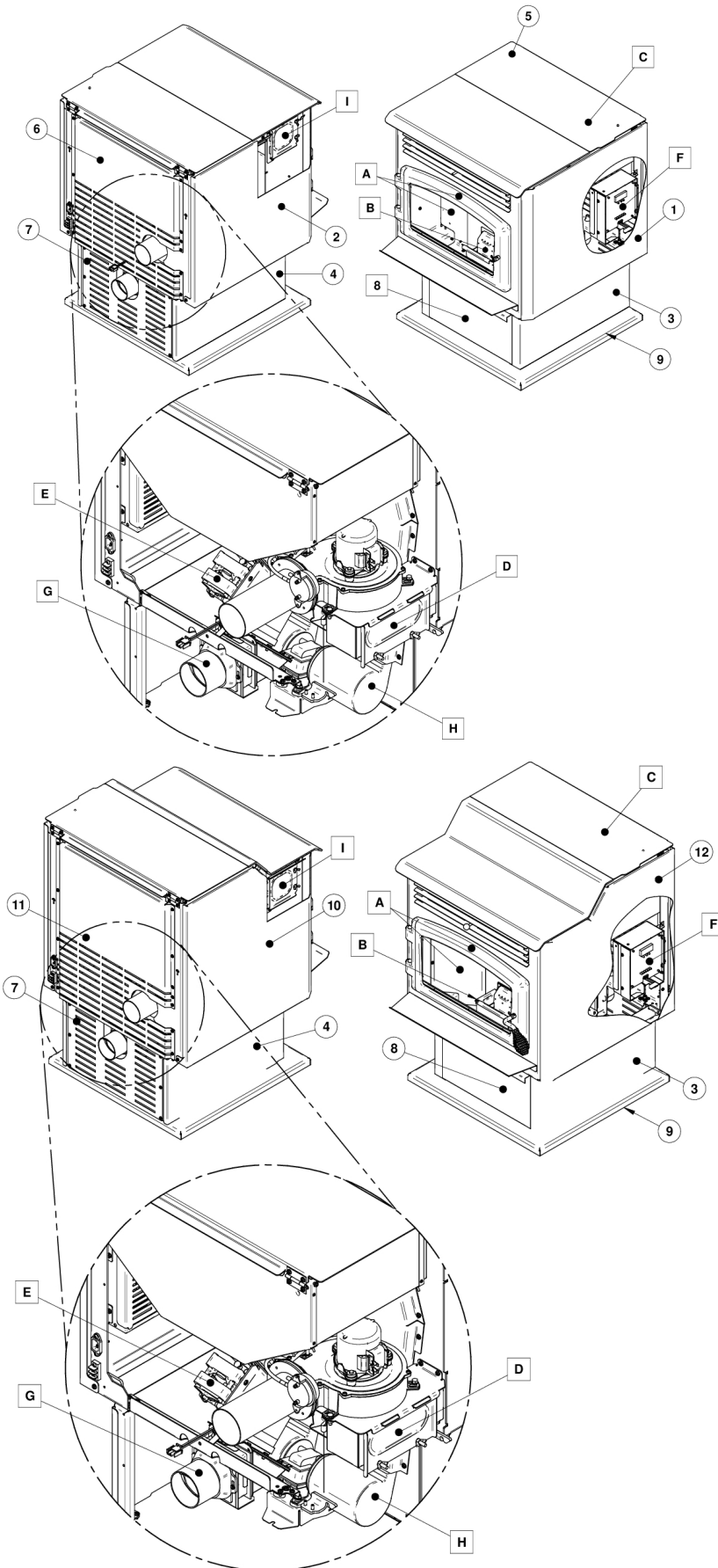
# 10. SCHÉMA ÉLECTRIQUE



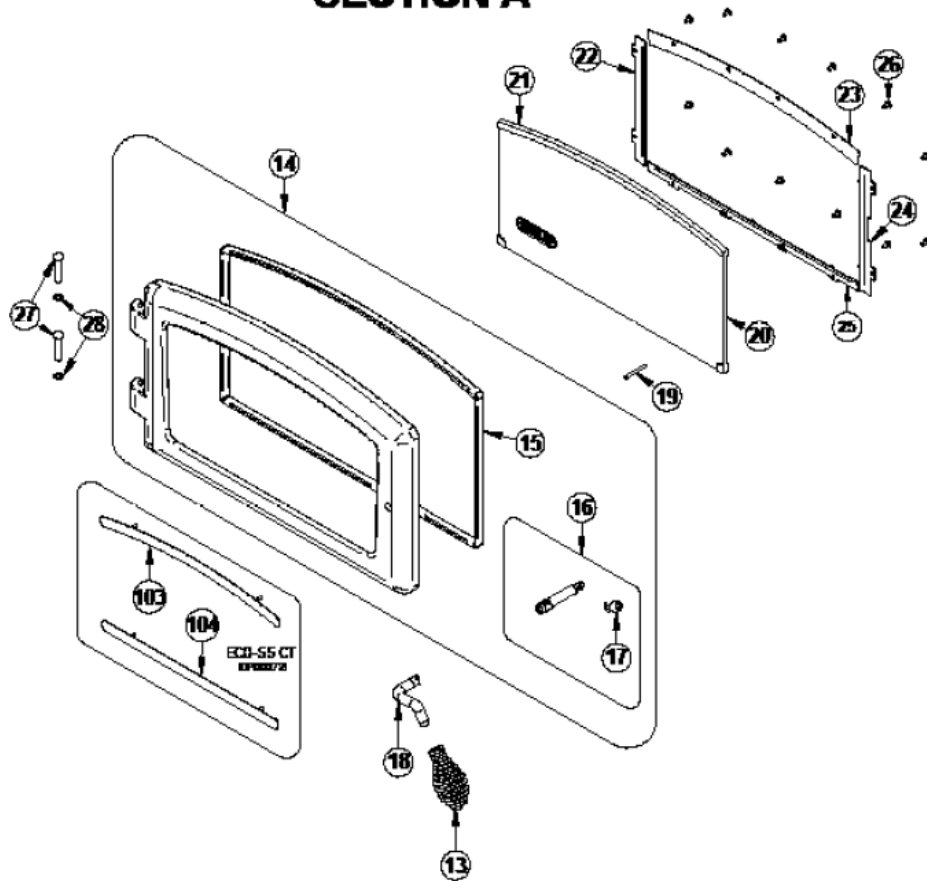
FRANÇAIS

# 11. VUES EXPLOSÉES ET LISTE DE PIÈCES DP00070, DP00072 ET DP00071

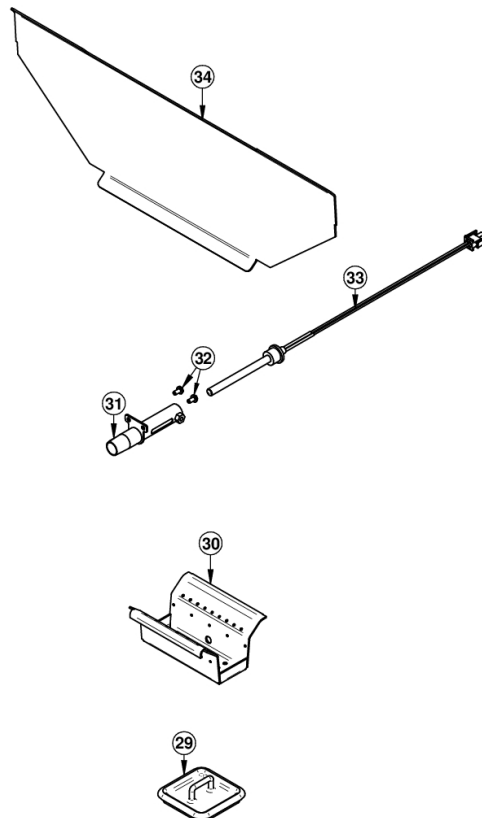
FRANÇAIS



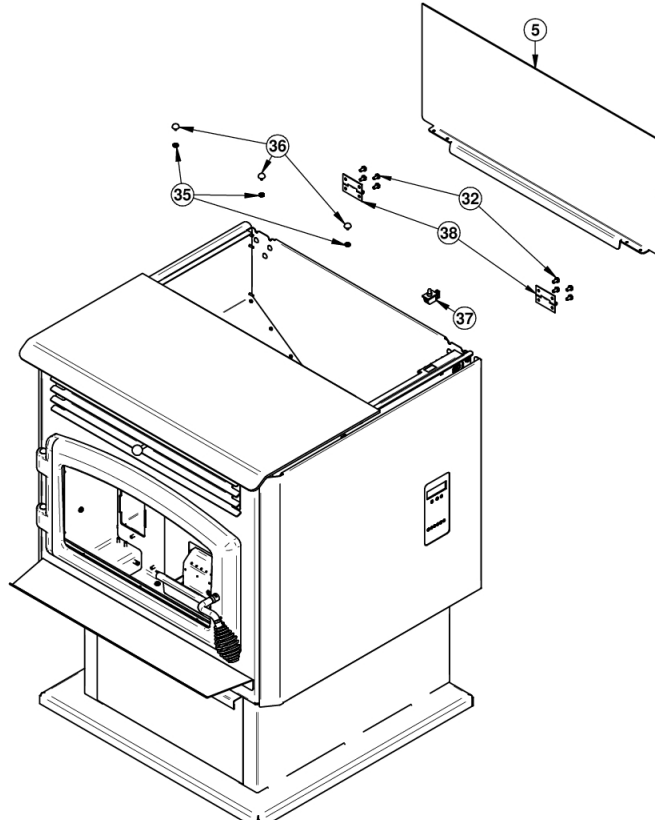
## SECTION A



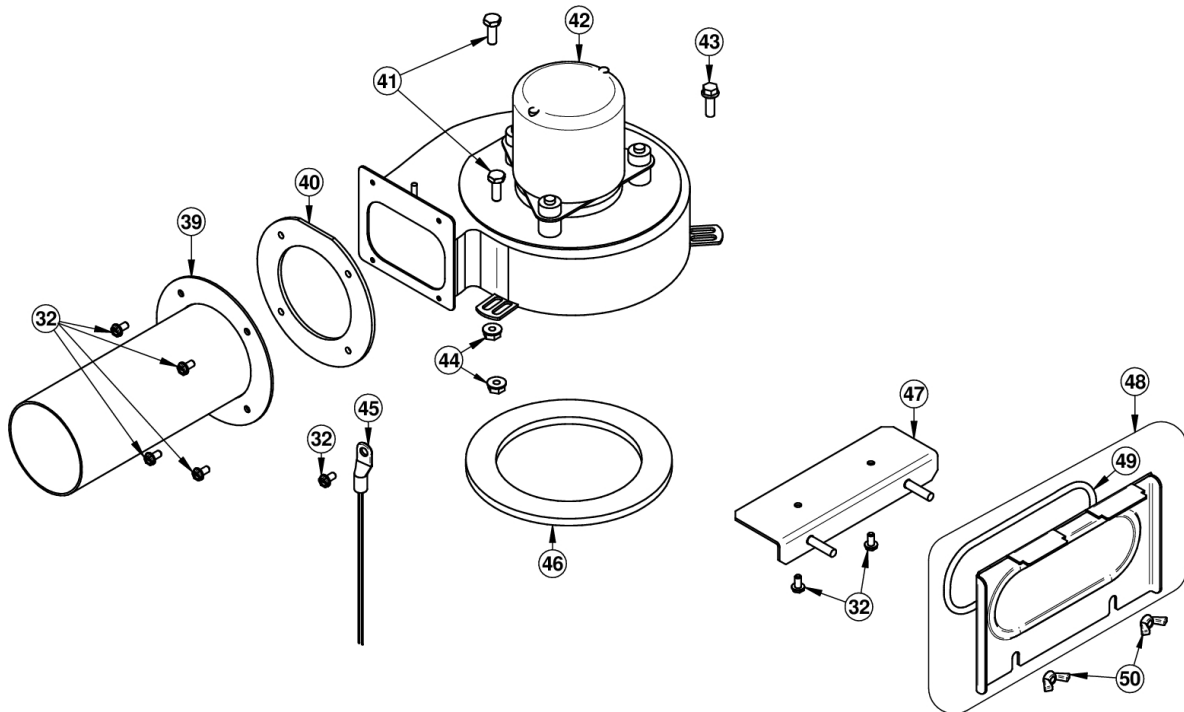
## SECTION B



### SECTION C

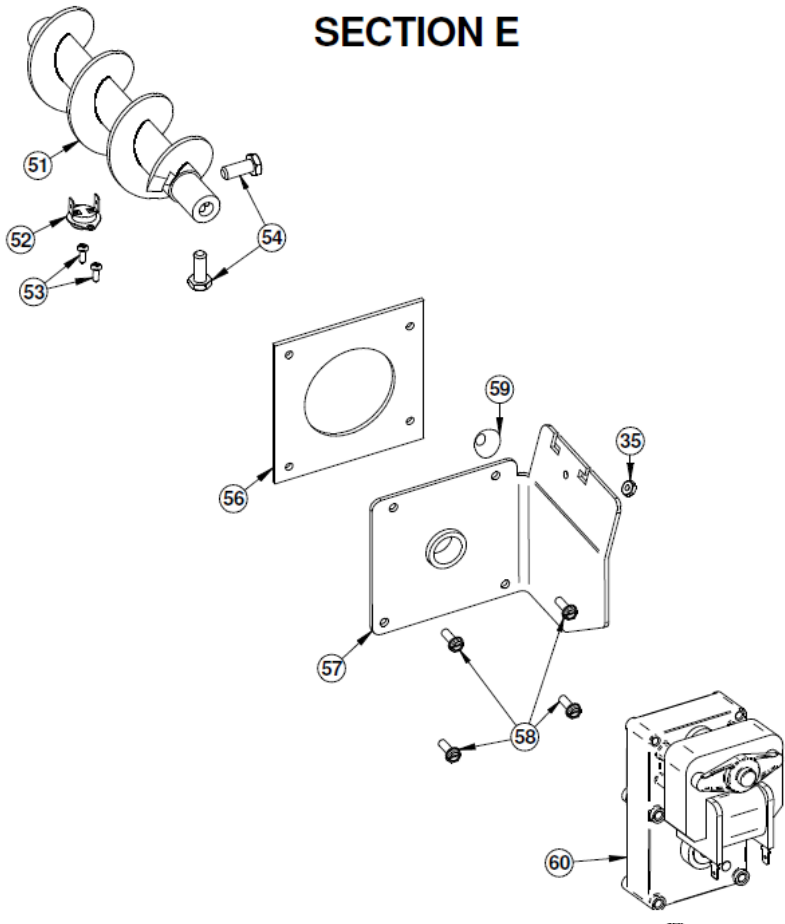


### SECTION D

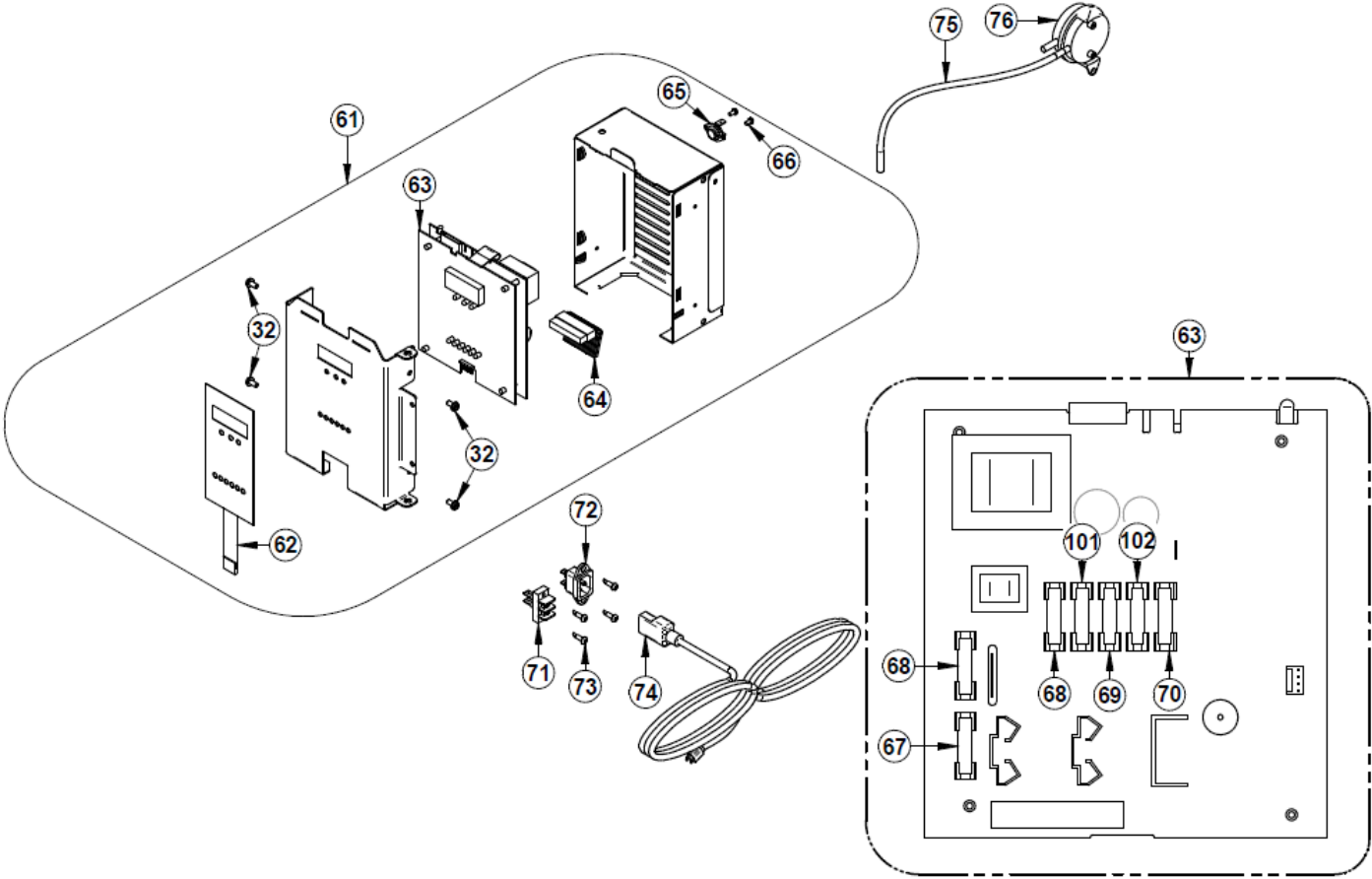




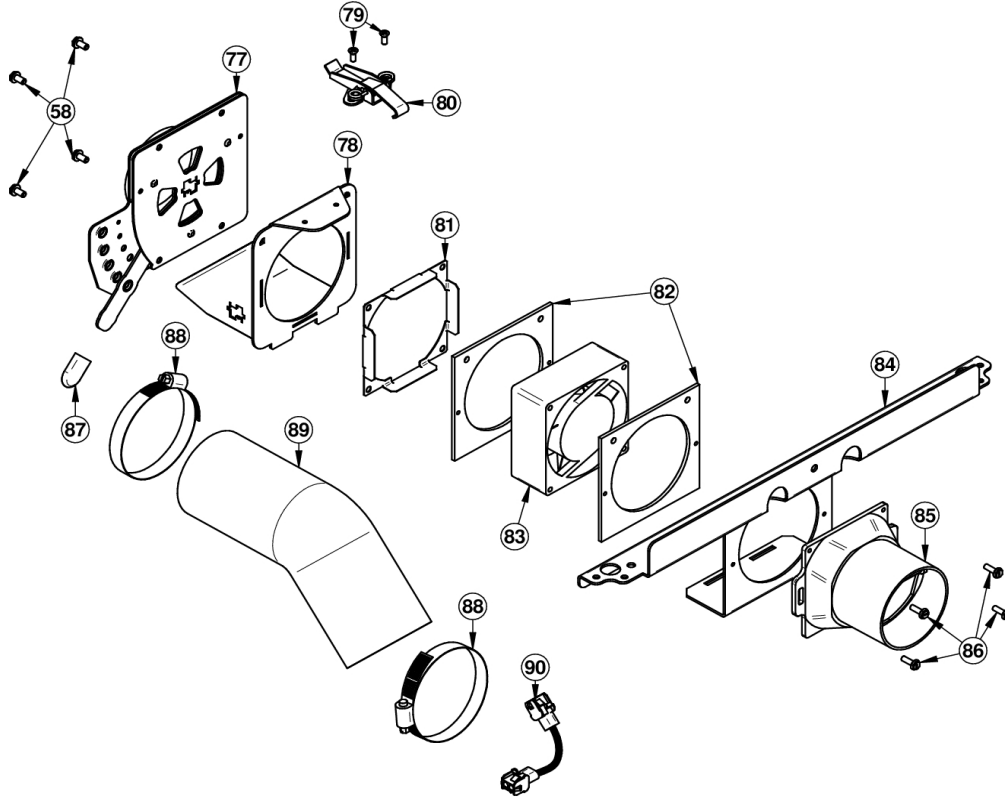
### SECTION E



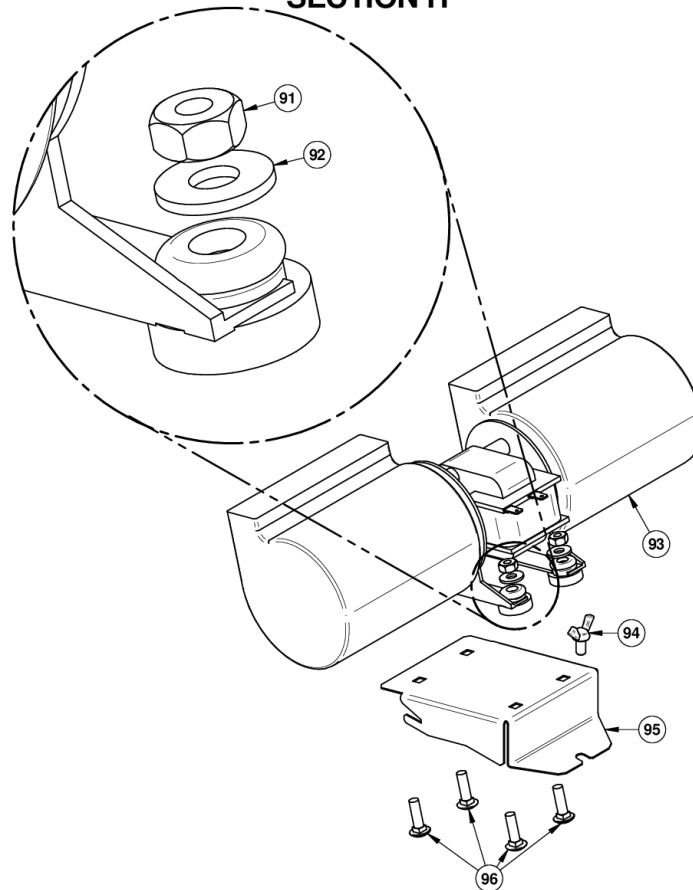
### SECTION F



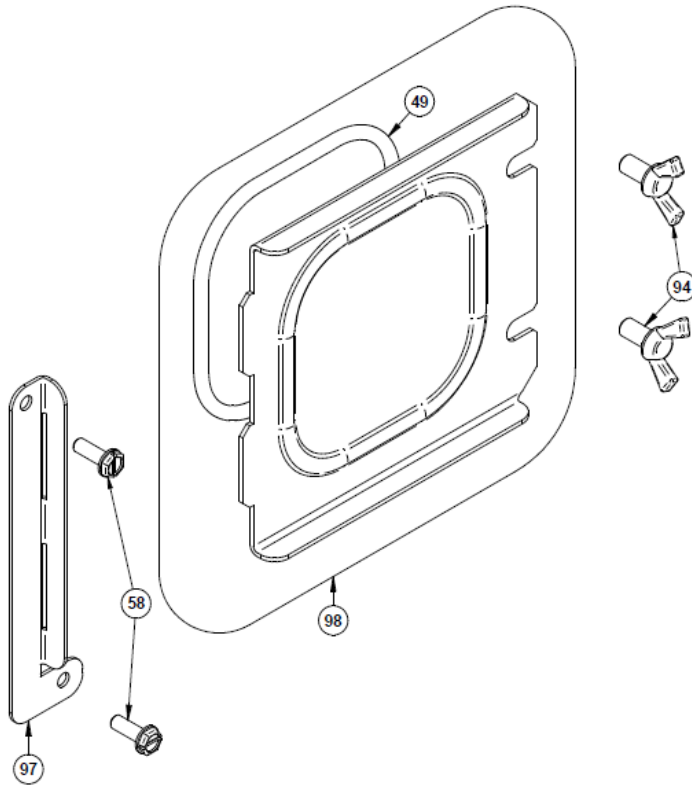
### SECTION G



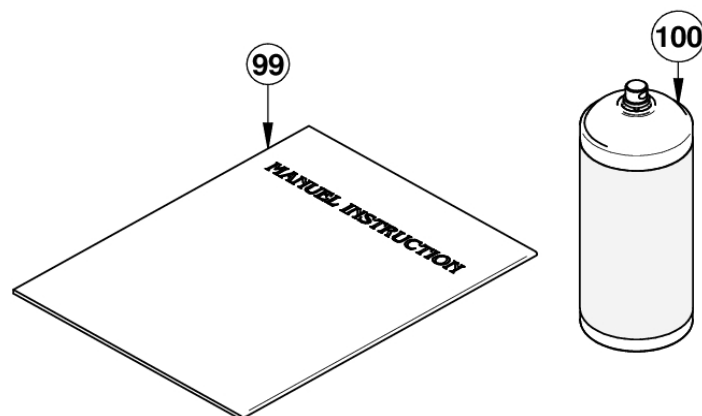
### SECTION H



## SECTION I



## SECTION J



**IMPORTANT:** Il s'agit d'informations actualisées. Lors de la demande de service ou de pièces de remplacement pour votre poêle, s'il vous plaît fournir le numéro de modèle et le numéro de série. Nous nous réservons le droit de modifier les pièces en raison de mise à niveau technologique ou de disponibilité. Contactez un revendeur autorisé pour obtenir une de ces pièces. Ne jamais utiliser des matériaux de substitution. L'utilisation de pièces non approuvées peut entraîner de mauvaises performances, des risques pour votre sécurité et annulera votre garantie.

#	Pièce	Description	Qté
1	PL69808	CÔTÉ DÉCORATIF DROIT	1
2	PL69809	CÔTÉ DÉCORATIF GAUCHE	1
3	PL69806	PANNEAU DECO BAS DROITE	1
4	PL69807	PANNEAU DECO BAS GAUCHE	1
5	PL69801	COUVERT DE LA TRÉMIE	1
6	PL69794	TÔLE DE DOS	1
7	PL69795	TÔLE DE DOS BAS	1
8	SE69810	TIROIR À CENDRE ASSEMBLÉ	1
9	99999	FABRICATION SUR COMMANDE	1
10	PL69833	PANNEAU DÉCORATIF GAUCHE	1
11	PL69854	TÔLE DE DOS	1
12	PL69832	PANNEAU DÉCORATIF DROIT	1
13	30105P	POIGNÉE SPIRALE 1/2" NOIRE	1
14	SE24085	CADRE DE PORTE AVEC POIGNÉE ET CORDON SANS VITRE	1
15	AC06200	ENSEMBLE SILICONE ET CORDON NOIR 1/4" X 1/2" X 11'	1
16	AC09176	ENSEMBLE DE POIGNÉE ET BARRURE	1
17	AC09185	ENSEMBLE DE BARRURE DE PORTE	1
18	PL52683	POIGNÉE AMOVIBLE	1
19	30101	GOUPILLE TENDEUSE À RESSORT DIA 5/32" X 1 1/2" L	1
20	SE52708	VITRE DE REMPLACEMENT ARQUÉE AVEC CORDON 7 51/64" X 16 3/4" X 8 23/32"	1
21	AC06400	CORDON DE VITRE NOIR PRÉENCOLLÉ 3/4" (PLAT) X 6'	1
22	PL52717	MOULURE DE VITRE CÔTÉ PENTURE	1
23	PL08537-04	MOULURE DE VITRE DU HAUT	1
24	PL52719	MOULURE DE VITRE CÔTÉ POIGNÉE	1
25	PL52718	MOULURE DE DÉFLECTEUR D'AIR	1
26	30124	VIS #8 - 32 X 5/16" TRUSS QUADREX ZINC	12
27	30170	RIVET DE PENTURE 5/16" DIA X 1 1/2" L (0.309 A 0.312)	2
28	30055	BAGUE DE RETENUE POUR RIVET 5/16" DI X 0.512" DE	2
29	SE16059	BOUCHON DE TRAPPE À CENDRES	1
30	SE69759	POT DE COMBUSTION ASSEMBLÉE	1
31	44192	TUBE D'ALLUMEUR	1
32	30029	VIS À FILETAGE COUPANT 10-24 TYPE "F" X 3/8" HEX RONDELLE	16
33	SE44132	ALLUMEUR GRANULES 120V 300W ASSEMBLÉ	1
34	PL69777	COUPE-FEU	1
35	30417	ÉCROU HEX NOIR #8-32	3

#	Pièce	Description	Qté
36	30370	BUTOIR DE CAOUTCHOUC AVEC FILETS (PETIT)	3
37	44098	INTERRUPTEUR DE SÉCURITÉ DE TRÉMIE	1
38	30013	PENTURE 2" X 1 1/2"	2
39	SE69785	TUBE D'ÉVACUATION ASSEMBLÉ	1
40	21392	JOINT D'ÉTANCHÉITÉ DE L' ADAPTATEUR D'ÉVACUATION	1
41	30093	BOULON 1/4-20 X 3/4" HEX GRADE 5	2
42	SE44193	VENTILATEUR D'ÉVACUATION AVEC JOINTS D'ÉTANCHÉITÉ	1
43	30094	VIS HEX TÊTE RONDELLE 1/4-20 X 3/4" TYPE F ZINC	1
44	30220	ÉCROU INDÉVISSABLE À ÉPAULEMENT 1/4-20	2
45	SE44095	THERMISTOR ASSEMBLÉ	1
46	21393	JOINT D'ÉTANCHÉITÉ DU VENTILATEUR D'ÉVACUATION	1
47	PL69764	SUPPORT TRAPPE EXHAUST	1
48	SE69803	TRAPPE NETTOYAGE ÉVACUATION ASSEMBLÉE	1
49	AC06815	ENSEMBLE DE CORDON NOIR 3/16" X 5' ET SILICONE	1
50	30484	ÉCROU PAPILLON 1/4-20	2
51	24017	VIS SANS FIN EN FONTE	1
52	44059	THERMODISQUE 36T11 L250-25 AUTOMATIQUE	1
53	30138	VIS À MÉTAL #6 X 3/8" QUADREX Type"A" NOIRE (52-011-120)	2
54	30092	BOULON 5/16 - 18 X 3/4" HEX GRADE 5	2
55	30528	MANCHON DE CUIVRE POUR VIS À GRANULE	1
56	21110	JOINT DE PLAQUE - VIS SANS FIN	1
57	PL69773	PLAQUE BUSHING VIS SANS FIN	1
58	30026	VIS À FILETAGE COUPANT 10-24 F 5/8" HEX WASHER HEAD	10
59	30369	BUTOIR DE CAOUTCHOUC AVEC FILETS (GROS)	1
60	44106	MOTEUR À ENGRENAGE POUR VIS À GRANULES 1.5 RPM	1
61	SE69791	BOITIER CARTE ÉLECTRONIQUE ASSEMBLÉ	1
62	44148	MEMBRANE INTERRUPTEUR DE LA CARTE DE CONTRÔLE	1
63	PL69855	CARTE ÉLECTRONIQUE SÉRIE 55	1
64	60382	HARNAIS	1
65	44058	THERMODISQUE 36T12 F160	1
66	30080	VIS À MÉTAL #6 X 1/4 TYPE B PAN PHILLIPS	2
67	44149	FUSIBLE 8A / 250V (5 X 20) F3-PRINCIPAL OU F8 ALLUMEUR	1
68	44152	FUSIBLE 0.5A / 250V (5 X 20) F2-INTERFACE	2
69	44200	FUSIBLE 2A / 250V (5X20)	1
70	44201	FUSIBLE 4A / 250V (5X20)	1
71	60036	BORNIER DU THERMOSTAT	1
72	60196	RÉCEPTACLE DU CORDON D'ALIMENTATION	1
73	30155	VIS À MÉTAL #8 X 5/8" PHILLIPS AUTOPERFORANTE TEK ZINC	4
74	60331	CORDON D'ALIMENTATION 6'	1
75	49004	TUYAU DE L'INTERRUPTEUR À PRESSION	1
76	44029	INTERRUPTEUR À PRESSION	1

#	Pièce	Description	Qté
77	SE69849	TRAPPE D'ENTRÉE D'AIR ASSEMBLÉE	1
78	PL69784	PLAQUE ENTRÉE D'AIR	1
79	30021	VIS FILETAGE COUPANT 8-32 TYPE "F" X 7/16" PLATE PHILLIPS NOIRE	2
80	30439	ATTACHE À RESSORT PLAQUE ZINC CHROMATE	1
81	PL64359	CADRE DU JOINT D'ÉTANCHÉITÉ VENTILATEUR DE COMBUSTION	1
82	21400	JOINT D'ÉTANCHÉITÉ VENTILATEUR DE COMBUSTION	2
83	SE44147	VENTILATEUR AXIAL 115V 9W 92 X 92 X 38 ASSEMBLÉ	1
84	PL69799	DEVANT BOITIER D'AIR	1
85	30777	CLAPET ANTI-RETOUR EN PLASTIQUE ASSEMBLÉ	1
86	30502	VIS À FILETAGE COUPANT #8 - 32 X 1/2" TYPE F HEX TÊTE PLATE	4
87	30556	EMBOUT DE FINITION POUR CONTRÔLE D'AIR	1
88	49400	COLLET ACIER 2 1/2" À 3 1/2"	2
89	21381	GAINÉ ALUMINIUM 2 PLIS 3" X 6" COMPRESSÉE	1
90	60383	FIL DE JONCTION ALLUMEUR	1
91	30100	ÉCROU HEX NOIR 1/4-20	4
92	30185	RONDELLE 17/64" TYPE "AA"	4
93	44122	VENTILATEUR CAGE DOUBLE 176 PCM (CLASSE H)	1
94	30485	BOULON PAPILLON 1/4-20 X 1/2" EN ACIER PLAQUÉ ZINC	3
95	PL69805	PLAQUE SUPPORT VENTILATEUR	1
96	30446	BOULON DE CARROSSERIE 1/4 - 20 x 1" ZINC	4
97	PL69802	SUPPORT TRAPPE DE NETTOYAGE	1
98	SE69804	TRAPPE NETTOYAGE AVEC CORDON	1
99	45876	MANUEL D'INSTRUCTIONS ECO-55	1
100	AC05959	PEINTURE POUR POÊLE NOIR MÉTALLIQUE - 342 g (12oz) AÉROSOL	1
101	44150	FUSIBLE 3A / 250V (5 X 20) F4-VIS & PRISE CEI DC	1
102	44199	FUSIBLE 1.25A / 250V (5X20)	1
103	PL69887	MOULURE DÉCORATIVE DU HAUT DE PORTE (ECO-55 CT SEULEMENT)	1
104	PL69888	MOULURE DÉCORATIVE DU BAS DE PORTE (ECO-55 CT SEULEMENT)	1