

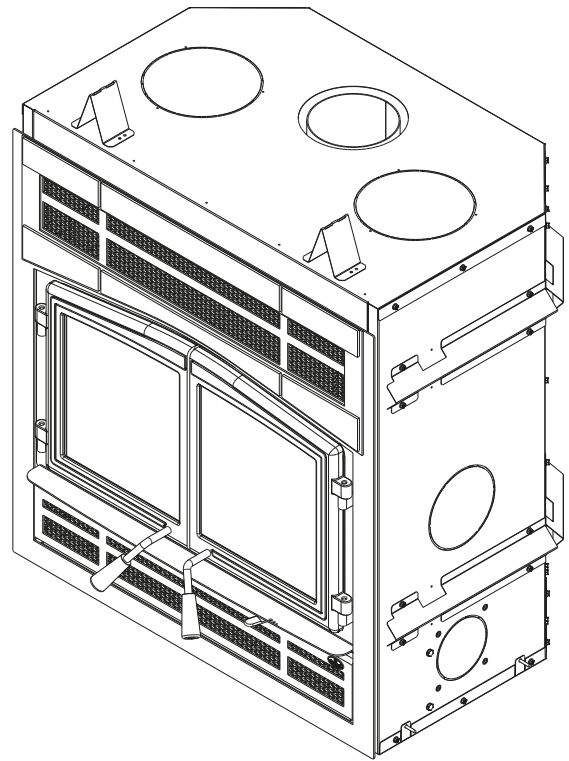
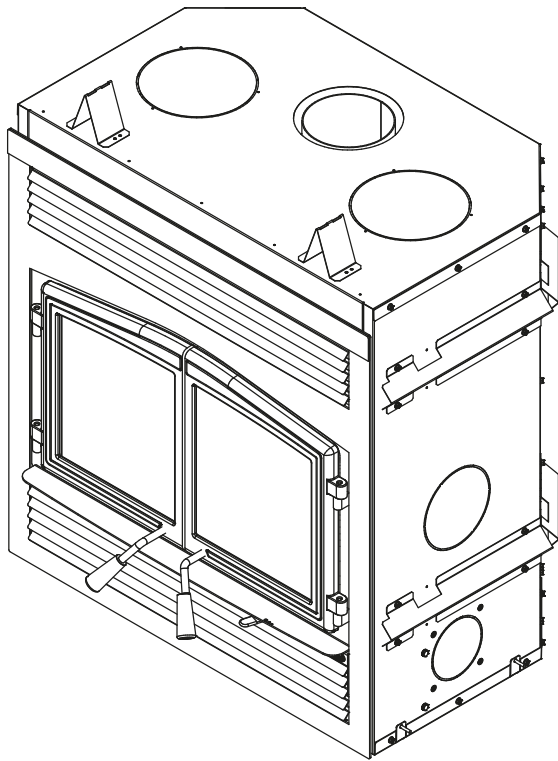


Installation and Operation Manual

STRATFORD II

(OB04007 model)

ENGLISH



US Environmental Protection Agency
phase II certified wood fireplace
compliant with 2020 cord wood standard

EPA
≤2.5 g/h

Safety tested according to ULC S610,
UL 127 standards by an accredited
laboratory.

CONTACT LOCAL BUILDING OR FIRE OFFICIALS ABOUT RESTRICTIONS AND INSTALLATION INSPECTION REQUIREMENTS IN LOCAL AREA.

READ THIS ENTIRE MANUAL BEFORE INSTALLATION AND USE OF THIS WOOD FIREPLACE. FAILURE TO FOLLOW THESE INSTRUCTIONS COULD RESULT IN PROPERTY DAMAGE, BODILY INJURY OR EVEN DEATH.

READ AND KEEP THIS MANUAL FOR REFERENCE

THANK YOU FOR CHOOSING THIS WOOD FIREPLACE

If this fireplace is not installed properly, combustible materials near it may overheat and catch fire.

To reduce the risk of fire, follow the installation instructions in this manual.

As one of North America's largest and most respected wood stove and fireplace manufacturers, Stove Builder International takes pride in the quality and performance of all its products.

The following pages provide general advice on wood heating, detailed instructions for safe and effective installation, and guidance on how to get the best performance from this fireplace.

It is highly recommended that this wood burning hearth product be installed and serviced by professionals who are certified by a «Qualified Agency» such as NFI (National Fireplace Institute®) or CSIA (Chimney Safety Institute of America) in the United States and in Canada by WETT (Wood Energy Technology Transfer) or in Quebec by APC (Association des Professionnels du Chauffage).

Contact local building or fire officials about restrictions and installation inspection requirements in your local area.

A building permit might be required for the installation of this fireplace and the chimney that it is connected to. It is also highly recommended to inform your home insurance company.

Please read this entire manual before installing and using this fireplace.

A primary alternative heat source should be available in the home. This heating unit may serve as a supplementary heat source. The manufacturer cannot be responsible for additional heating costs associated with the use of an alternative heat source.

ONLINE WARRANTY REGISTRATION

If the unit requires repairs during the warranty period, proof of purchase must be provided. The purchase invoice must be kept. The date indicated on it establishes the warranty period. If it cannot be provided, the warranty period will be determined by the date of manufacture of the product. It is also highly recommended to register the warranty online at

<https://www.osburn-mfg.com/en/warranty/warranty-registration/>

Registering the warranty will help to quickly find the information needed on the unit.

TABLE OF CONTENTS

PART A - OPERATION AND MAINTENANCE	7
1. Safety Information.....	7
2. General Information	8
2.1 Performances.....	8
2.2 Specifications	9
2.3 Dimensions.....	10
2.4 EPA Certification Loading	13
2.5 Materials.....	14
2.6 Zone Heating	14
2.7 Emissions and Efficiency	15
3. Fuel.....	15
3.1 Tree Species.....	15
3.2 Log Length	16
3.3 Piece Size	16
3.4 Compressed Wood Logs.....	16
3.5 Drying Time	17
4. Operating the Fireplace	18
4.1 Using a Fire Screen	18
4.2 Blower Operation.....	18
5. Burning Wood Efficiently	19
5.1 First Use.....	19
5.2 Lighting Fires	19
5.3 Combustion Cycles	20
5.4 Rekindling a Fire.....	22
5.5 Removing Ashes	22
5.6 Air Intake Control	23
5.7 Fire Types	23
6. Maintenance.....	25
6.1 Cleaning and Painting	25
6.2 Refractory Material and Baffle	25
6.3 Glass Door	26
6.4 Door	27
6.5 Exhaust System	29
PART B – INSTALLATION	30
7. Safety Information and Standards	31
7.1 Safety	31
7.2 Standards.....	31
8. Fireplace Installation.....	32
8.1 Standoff Installation	32
8.2 Optional Carrying Handles.....	32
8.3 Location	32
8.4 Clearances to Combustibles.....	32
8.5 Framing Construction.....	33

8.6 Hearth Extension Construction37

8.7 Facing40

8.8 Combustible Shelf Installation40

8.9 Heat Shield for Combustible Shelf41

8.10 Non-combustible Shelf Installation41

9. The Venting System 41

9.1 Location41

9.2 Supply of Combustion Air42

9.3 Chimney Installation42

9.4 Angled Wall Pass-Thru Installation48

9.5 Chimney Support Installation.....48

9.6 Approved Chimneys49

Appendix 1: Door Overlay Installation..... 51

Appendix 2: Faceplate Installation 52

Appendix 3: Optional Fresh Air Intake Installation 53

Appendix 4: Optional Traditional Gravity Hot Air Distribution Kit Installation 56

Appendix 5: Optional Modern Gravity Hot Air Distribution Kit Installation..... 60

Appendix 6: Optional Forced Air Distribution Kit Installation..... 65

Appendix 7: Optional Fire Screen Installation..... 66

Appendix 8: Refractory Panels Removal..... 67

Appendix 9: Secondary Air Tubes and Baffle Installation 68

Appendix 10: Blower Replacement 69

Appendix 11: Exploded Diagram and Parts List..... 71

10. OSBURN Limited Lifetime Warranty 74

Dealer: _____

Installer: _____

Phone Number: _____

Serial Number: _____

CERTIFICATION PLATE

ENGLISH



Intertek

REFER TO INTERTEK'S DIRECTORY OF BUILDING PRODUCTS FOR DETAILED INFORMATION
SE RÉFÉRER AU RÉPERTOIRE DES PRODUITS HOMOLOGUÉS D'INTERTEK POUR PLUS D'INFORMATION

STANDARDS / NORMES D'ESSAI:
 Certified to / Certifié selon UL C610
 Certified to / Certifié selon UL 127
 Certified to / Certifié selon CSA B415.1-10
 Certified to / Certifié selon ASTM E2515-11 (R2017)
 Certified to / Certifié selon ASTM E3053-17
 Control number: 4002461
 (April / Avril 2019)

MODEL / MODÈLE:
STRATFORD II

LISTED FACTORY BUILT FIREPLACE
 FOYER PRÉFABRIQUÉ HOMOLOGUÉ

FOR USE WITH WOOD ONLY
 POUR UTILISATION AVEC BOIS SEULEMENT
 CONTACT LOCAL BUILDING OFFICIALS ABOUT THE RESTRICTIONS AND INSTALLATION INSPECTION IN YOUR AREA.
 COMMUNIQUER AVEC LES AUTORITÉS LOCALES DU BÂTIMENT ET DE LA PRÉVENTION DES INCENDIES AU SUJET DES RESTRICTIONS D'INSTALLATION DANS VOTRE SECTEUR.

Serial Number / No. de Série: **0**

INSTALL AND USE ONLY IN ACCORDANCE WITH SBI STOVE BUILDER INTERNATIONAL INSTALLATION AND OPERATION INSTRUCTIONS.
 L'INSTALLATION ET L'OPERATION DOIT SE FAIRE SELON LES INSTRUCTIONS D'INSTALLATION ET D'UTILISATION DE SBI FABRICANT DE POÊLES INTERNATIONAL.

PREVENT HOUSE FIRES

- Use solid fuel only.
- For safety, keep screen doors or glass doors tightly closed.
- Do not overfire unit.
- Replace with only ceramic glass 4mm thick.
- Use only with listed factory-built chimney as per manufacturer's instructions.
- A non-combustible hearth extension must be installed in front of unit extending 16 in (406 mm) in front and 8 in (203 mm) on each side of door opening.
- Hearth extension must have a minimum R factor of 1.00. No minimum R factor is required if fireplace is elevated by at least 4 in. (102 mm).
- Do not use a fireplace insert or other products not specified for use with this product.

Areas of the fireplace incorporating warm or cold air ducts shall be enclosed in accordance with manufacturer's instructions.
 WARNING: This fireplace has not been tested with an unvented gas log set. To reduce risk of fire or injury, do not install an unvented gas log set into fireplace.
 This wood heater needs periodic inspection and repair for proper operation. Consult the owner's manual for further information. It is against US federal regulations to operate this wood heater in a manner inconsistent with the operating instructions in the owner's manual.

PRÉVEZ LES INCENDIES

- Utiliser uniquement du bois de chauffage.
 - Pour votre sécurité, maintenir les portes de grillages ou de vitres fermées de façon étanche.
 - Ne pas surchauffer le foyer.
 - Remplacer la vitre seulement avec un verre céramique de 4mm d'épaisseur.
 - Pour utilisation seulement avec une cheminée préfabriquée homologuée tel que spécifié selon les instructions du manufacturier.
 - Une protection de plancher incombustible doit être installée à l'avant du foyer excédant de 16 po (406 mm) à l'avant et 8 po (203 mm) de chaque côté de l'ouverture de porte.
 - La protection à l'avant du foyer doit avoir un facteur R minimum de 1.00. Aucun facteur R n'est requis si le foyer est surélevé d'au moins 4 po. (102 mm).
 - Ne pas utiliser de foyer encastrable ou autres produits qui ne sont pas conçus précisément pour être utilisés avec le présent foyer.
- Les zones du foyer intégrant des conduits d'air chaud ou froid doivent être installées en accord avec les instructions du manufacturier.
 ATTENTION: Ce foyer n'a pas été mis à l'essai avec un ensemble de bûches décoratives à gaz non ventilé. Pour réduire les risques de feu ou de blessures, ne pas installer d'ensemble de bûches décoratives à gaz non ventilé dans ce foyer.
 Cet appareil requiert des inspections et réparations périodiques. Consulter le manuel de l'utilisateur pour plus d'information. Opérer cet appareil de chauffage de façon inconsistente par rapport au manuel de l'utilisateur consiste une violation de la loi fédérale (USA).

**MINIMUM CLEARANCES TO COMBUSTIBLE MATERIALS /
 DÉGAGEMENTS MINIMUM AUX MATÉRIAUX COMBUSTIBLES**

Side wall / Mur latéral [1] :	13 in (330 mm)	Side facing / Parement latéral [2] :	8 in (203 mm)
Combustible shelf (from floor) / Tablette combustible (du sol) [2][3] :	58 in (1473 mm)	Ceiling (from floor) / Plafond (à partir du plancher) [3] :	80 in. (2032 mm)

[1] From door opening. / À partir de l'ouverture de la porte.
 [2] Subject to a maximum protrusion (consult owner's manual). / Sujet à une saillie maximale (consultez le manuel d'instructions).
 [3] If the fireplace is elevated, the clearances to the combustible shelf and ceiling must be increased by an equivalent value. / Si le foyer est surélevé, les dégagements à la tablette combustible et au plafond doivent être augmentés d'une valeur équivalente.

Blower / Ventilateur: (115V, 0.8A, 60Hz)

PROCEDURE TO FOLLOW IN CASE OF RUN-AWAY FIRE

- 1) Keep doors closed
- 2) Close all combustion air controls

EN CAS D'INCENDIE DE CHEMINÉE

- 1) Maintenir les portes fermées
- 2) Fermer tous les dispositifs d'admission d'air

U.S. ENVIRONMENTAL PROTECTION AGENCY Certified to comply with 2020 particulate emission standards using cord wood.
 AGENCE DE PROTECTION DE L'ENVIRONNEMENT DES É.U. (EPA). Conforme aux normes d'émission de particules de 2020 avec bûche de bois.
 Weighted average emission rate / Moyenne pondérée des émissions: 1.2 g/h

Tested and certified in compliance with CFR 40 part 60, subpart AAA, section 60.534(a)(1)(ii).

WARNING: This product can expose you to carbon monoxide, which is known to the State of California to cause cancer, birth defects or other reproductive harm.
 (For more information go to www.p65warnings.ca.gov)

CAUTION

- HOT WHILE IN OPERATION.
- DO NOT TOUCH. KEEP CHILDREN, CLOTHING AND FURNITURE AWAY.
- CONTACT MAY CAUSE SKIN BURNS. SEE NAME-PLATE AND INSTRUCTIONS.
- THIS FIREPLACE NEEDS AIR FOR GOOD OPERATION.
- WHEN A FIRE IS BURNING IN THE FIREPLACE, FRESH AIR MUST BE SUPPLIED TO THE ROOM WHERE THE FIREPLACE IS LOCATED, FAILURE TO PROVIDE THIS MAY STARVE OTHER FUEL BURNING APPLIANCE FROM AN ADEQUATE AIR SUPPLY.



ATTENTION

- CHAUD EN FONCTIONNEMENT.
- NE PAS TOUCHER. GARDER LES ENFANTS, LES VÊTEMENTS ET LES MEUBLES ÉLOIGNÉS.
- UN CONTACT AVEC LA PEAU PEUT OCCASIONNER DES BRÛLURES. VOIR LES INSTRUCTIONS.
- CE FOYER A BESOIN D'AIR POUR SON BON FONCTIONNEMENT.
- LORSQUE LE FOYER BRÛLE, UN APPORT D'AIR SUPPLÉMENTAIRE DOIT ÊTRE PRÉVU DANS LA PIÈCE, UN MANQUE D'AIR D'APPOINT POURRAIT PRIVER LES AUTRES APPAREILS DE COMBUSTION D'UNE ALIMENTATION D'AIR ADÉQUATE.



Fabricant de poêles international
 Stove Builder International

Made in La Guadeloupe (Qc), Canada
 23/11/2021 (# test)

Fabriqué à La Guadeloupe (Qc), Canada
 23/11/2021 (# test)
 R27753

PART A - OPERATION AND MAINTENANCE

1. Safety Information

- This fireplace has been tested for use with an open door in conjunction with a fire screen, sold separately. The door may be opened, or fire screen removed only during lighting procedures or reloading. Always close the door or put back on the fire screen after ignition. Do not leave the fireplace unattended when the door is opened with or without a fire screen.
- **WARNING : OPERATE ONLY WITH THE DOOR FULLY CLOSED OR FULLY OPEN WITH THE FIRE SCREEN IN PLACE. IF THE DOOR IS LEFT PARTLY OPEN, GAS AND FLAME MAY BE DRAWN OUT OF THE OPENING, CREATING RISKS FROM BOTH FIRE AND SMOKE.**
- **HOT WHILE IN OPERATION. KEEP CHILDREN, CLOTHING AND FURNITURE AWAY. CONTACT MAY CAUSE SKIN BURNS. GLOVES MAY BE NEEDED FOR THE FIREPLACE OPERATION.**
- Using a fireplace with cracked or broken components, such as glass, firebricks or baffle may produce an unsafe condition and may damage the fireplace.
- **NEVER USE GASOLINE, LANTERN FUEL (NAPHTHA), FUEL OIL, MOTOR OIL, KEROSENE, CHARCOAL LIGHTER FLUID, OR SIMILAR LIQUIDS OR AEROSOLS TO START A FIRE IN THIS FIREPLACE. KEEP ALL SUCH LIQUIDS OR AEROSOLS WELL AWAY FROM THE FIREPLACE WHILE IT IS IN USE.**
- Do not store fuel within heater minimum installation clearances.
- Burn only seasoned natural firewood.
- This wood heater needs periodic inspection and repairs for the proper operation. It is against federal regulations to operate this wood heater in a manner inconsistent with operating instructions in this manual.
- Do not obstruct air inlets. This fireplace needs air for its good operation.
- Do not block the hot air vents of the fireplace as this will cause the fireplace to overheat.
- A smoke detector, a carbon monoxide detector and a fire extinguisher should be installed in the house. Location of detectors should be chosen wisely to avoid false alarm when reloading the appliance. The location of the fire extinguisher should be known by all family members.
- Do not use makeshift materials or make any compromises when installing this fireplace.
- Mixing of appliance components from different sources or modifying components is prohibited and will void the warranty. Any modification of the fireplace that has not been approved in writing by the testing authority is prohibited and violates CSA B365 and NFPA 211 standards.
- The manufacturer grants no warranty, implied or stated, for the poor installation or lack of maintenance of this fireplace and assumes no responsibility for any consequential damages.
- Do not elevate the fire by means of grates, chenets, andirons or any other means.



WARNING This product can expose you to chemicals including carbon monoxide, which is known to the State of California to cause cancer, birth defects or other reproductive harm. For more information go to www.P65warnings.ca.gov/

2. General Information

2.1 Performances

Values are as measured per test method, except for the recommended heating area, firebox volume, maximum burn time and maximum heat output.

ENGLISH

Model	Stratford II (OB04007)	
Fuel Type	Dry Cordwood	
Combustion Technology	Non-Catalytic	
Recommended heating area (sq. ft.) ¹	750 to 2,200 ft ² (70 to 204 m ²)	
Overall firebox volume	2.5 ft ³ (0.071 m ³)	
EPA loading volume	1.94 ft ³ (0.055 m ³)	
Maximum burn time ¹	8 hours	
Maximum heat output (dry cordwood) ²	80,000 BTU/h (23.4 kW)	
Overall heat output rate (min. to max.) ^{2 3}	12,700 BTU/h to 60,700 BTU/h (3.72 kW to 17.79 kW)	
Average overall efficiency ³ Dry cordwood	64 % (HHV) ⁴	68 % (LHV) ⁵
Optimum overall efficiency ⁶	70 %	
Optimum heat transfer efficiency ⁷	68 %	
Average particulate emissions rate ⁸	1.2 g/h (EPA / CSA B415.1-10) ⁹	
Average CO ¹⁰	98 g/h	

¹ Recommended heating area and maximum burn time may vary subject to location in home, chimney draft, heat loss factors, climate, fuel type and other variables. The recommended heated area for a given appliance is defined by the manufacturer as its capacity to maintain a minimum acceptable temperature in the designated area in case of a power failure.

² The maximum heat output (dry cordwood) is based on a loading density varying between 15 lb/ft³ and 20 lb/ft³. Other performances are based on a fuel load prescribed by the standard. The specified loading density varies between 7 lb/ft³ and 12 lb/ft³. The moisture content is between 19% and 25%.

³ As measured per CSA B415.1-10 stack loss method.

⁴ Higher Heating Value of the fuel.

⁵ Lower Heating Value of the fuel.

⁶ Optimum overall efficiency at a specific burn rate (LHV).

⁷ The optimum heat transfer efficiency is for the low burn rate and represents the appliance's ability to convert the energy contained in the wood logs into energy transferred to the room in the form of heat and does not take into account the chemical losses during combustion.

⁸ This appliance is officially tested and certified by an independent agency.

⁹ Tested and certified in compliance with CFR 40 part 60, subpart AAA, section 60.534(a)(1)(ii) and ASTM E3053-17.

¹⁰ Carbon monoxide.

2.2 Specifications

Recommended log length	16 in (406 mm) east-west
Maximum log length ¹¹	20 in (508 mm) east-west
Flue outlet diameter	6 in (150 mm)
Recommended connector pipe diameter	6 in (150 mm)
Type of chimney	CAN/ULC S629, UL 103 HT (2100 °F)
Baffle material	C-Cast or equivalent
Approved for mobile home installation ¹²	No
Type of door	Double, glass with cast-iron frame
Type of glass	Ceramic glass
Blower	Included (up to 176 CFM)
Particulate emission standard ¹³	EPA / CSA B415.1-10
USA standard (Safety)	UL 127
Canada standard (Safety)	ULC S610

¹¹ North-south: ends of the logs visible, East-west: sides of the logs visible.

¹² Mobile homes (Canada) or manufactured homes (USA): The US Department of Housing and Urban Development describes “manufactured homes” better known as “mobile homes” as follows; buildings built on fixed wheels and those transported on temporary wheels/axles and set on a permanent foundation. In Canada, a mobile home is a dwelling for which the manufacture and assembly of each component is completed or substantially completed prior to being moved to a site for installation on a foundation and connection to service facilities and which conforms to the CAN/CSA-Z240 MH standard.

¹³ Tested and certified in compliance with CFR 40 part 60, subpart AAA, section 60.534(a)(1)(ii) and ASTM E3053-17.

2.3 Dimensions

ENGLISH

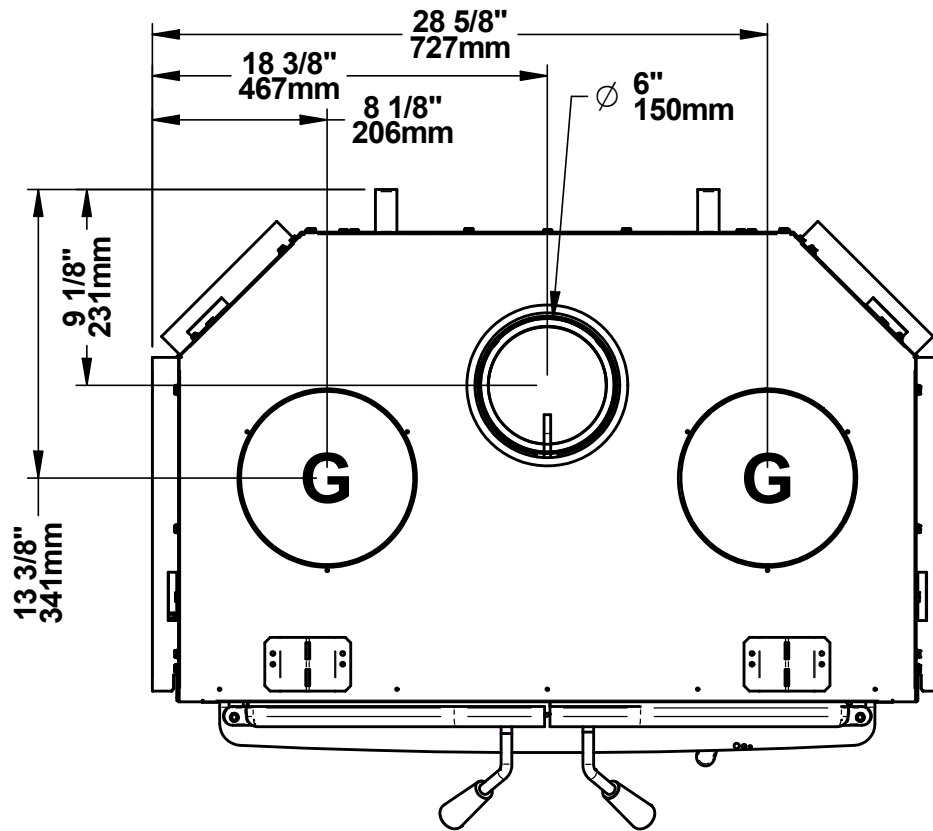


Figure 1: Top view

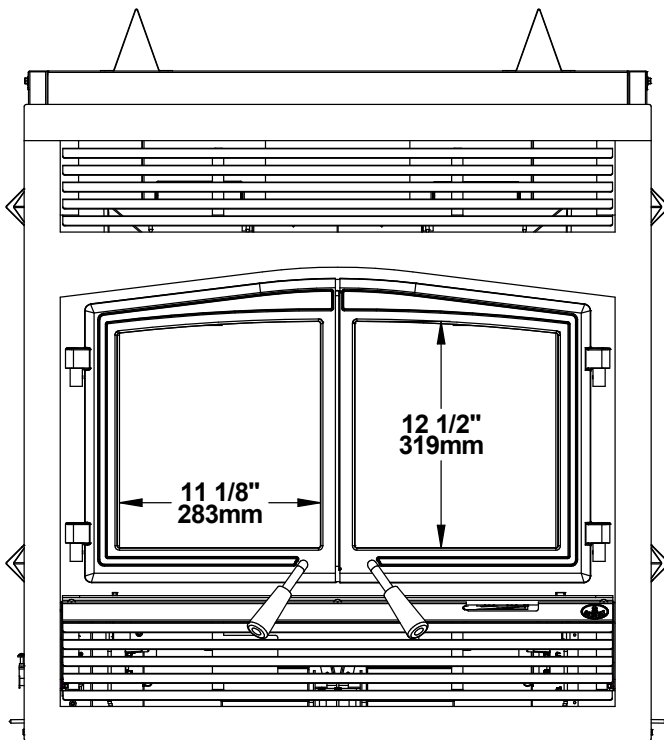


Figure 2: Front view

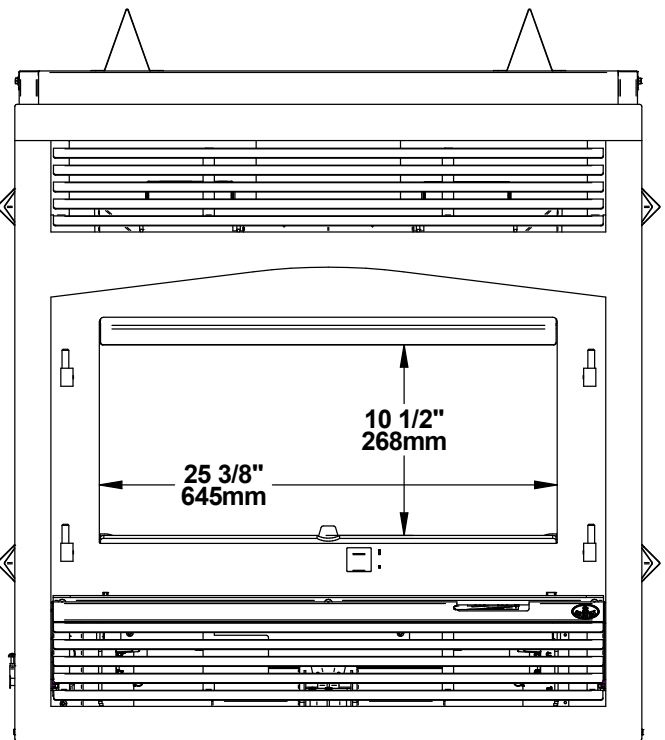


Figure 3: Front view - Door opening

G : Opening for gravity hot air distribution kit (ø 8").

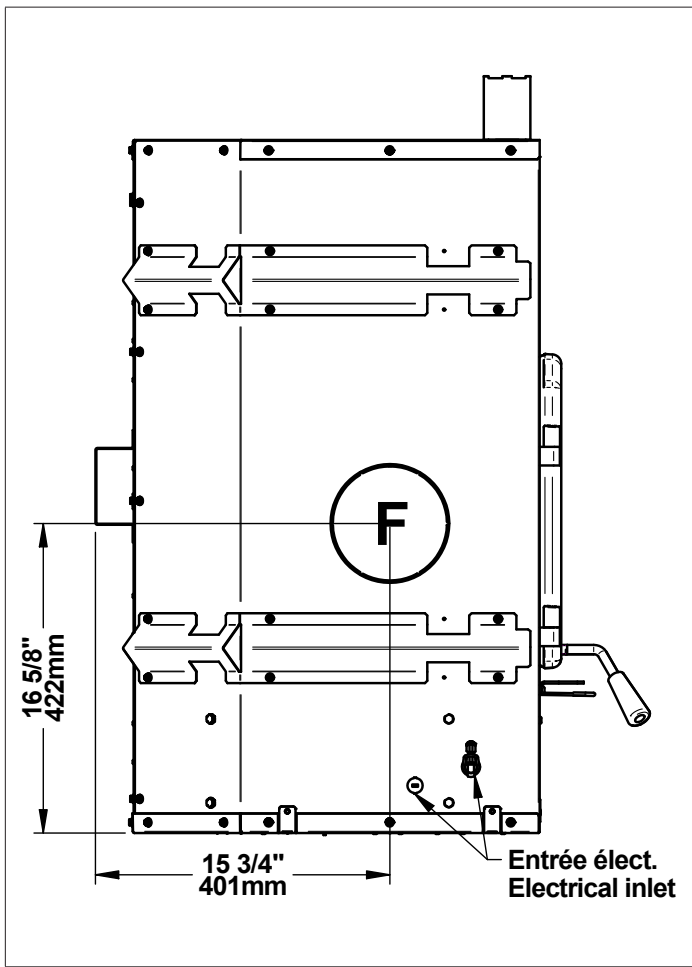


Figure 4: Left side view

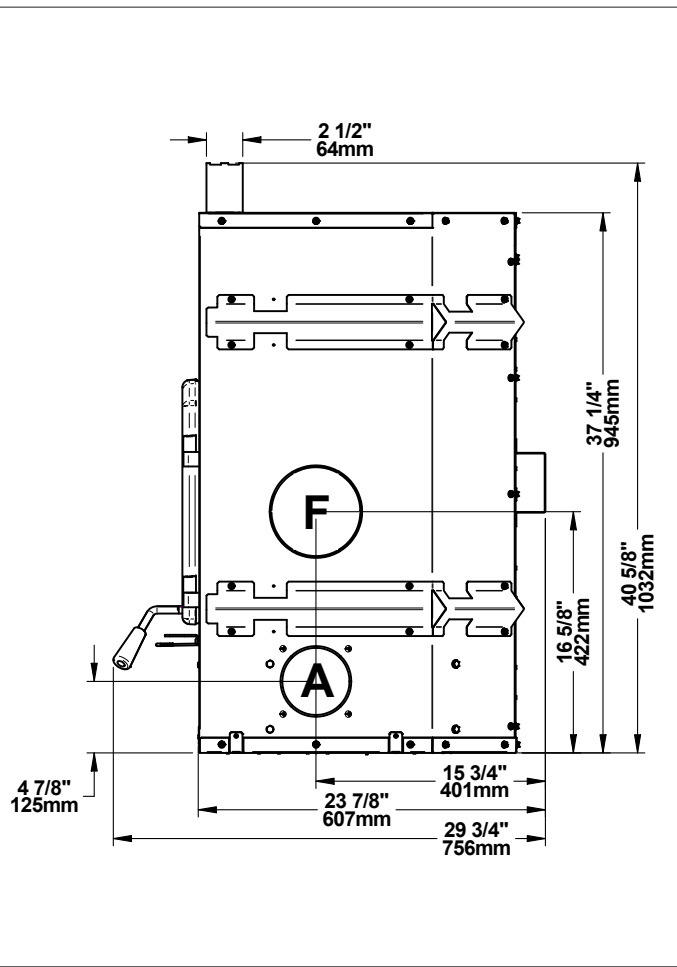


Figure 5: Right side view

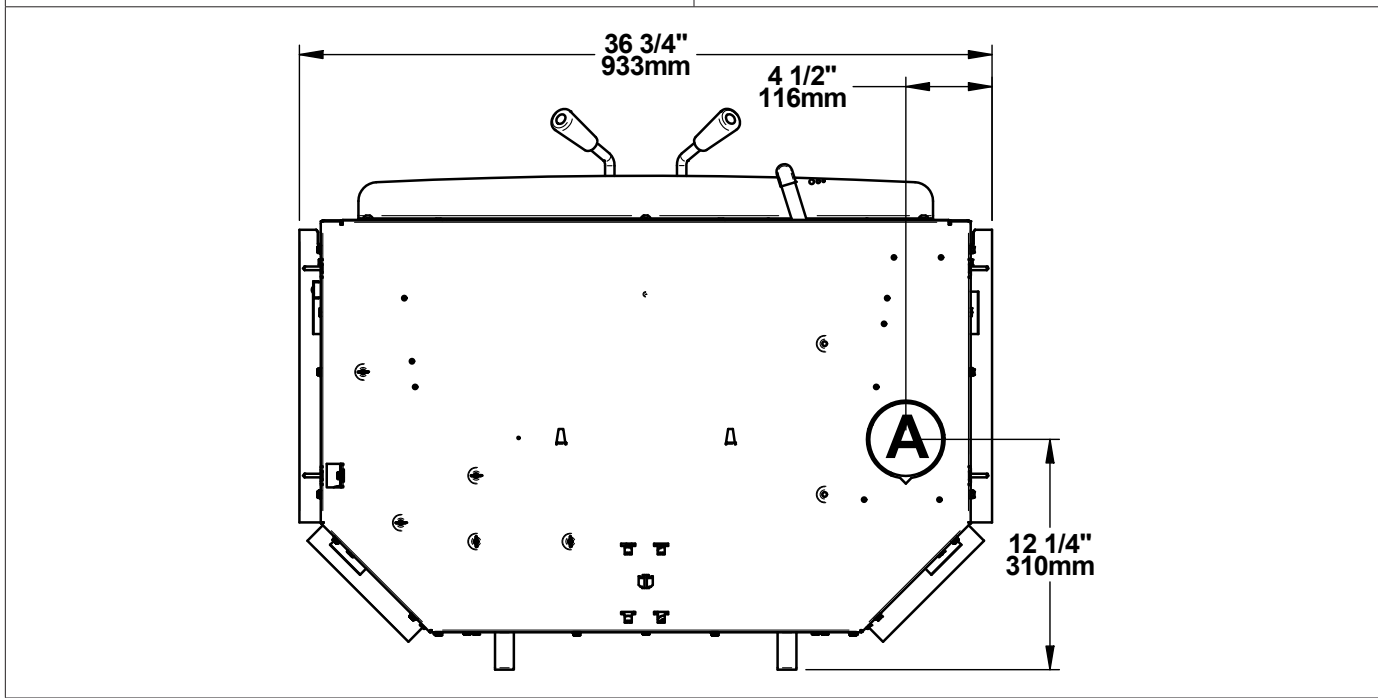


Figure 6: Bottom view

F : Opening for forced air distribution kit (ø 6").

A : Opening for fresh air intake (ø 4").

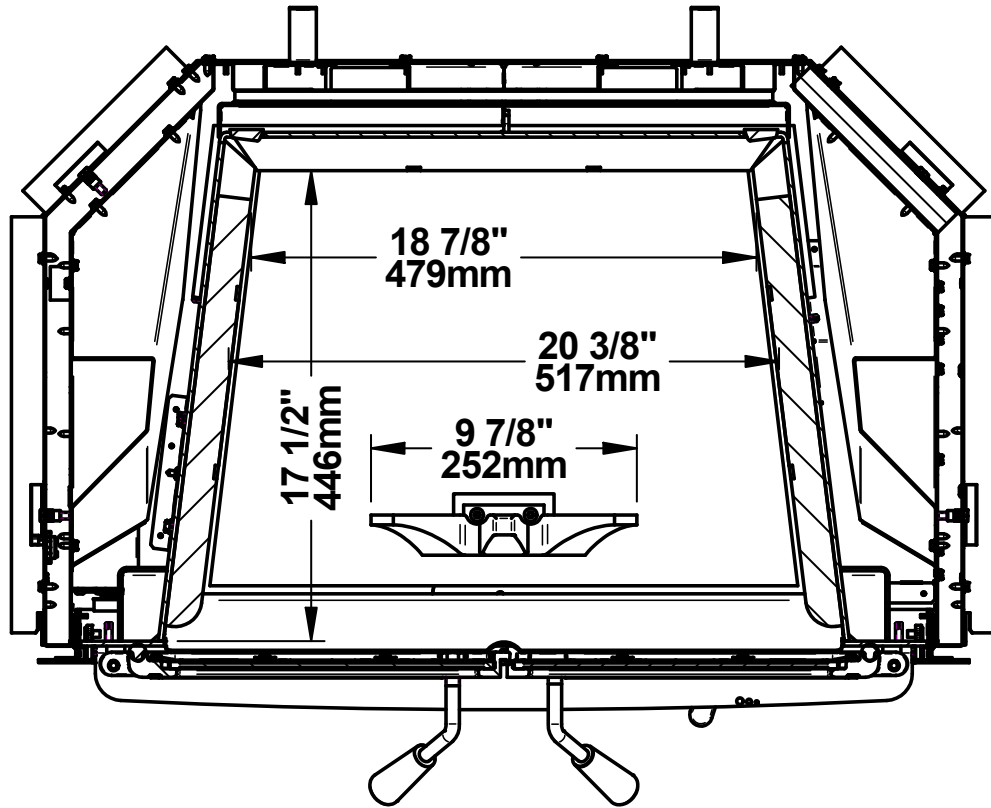


Figure 7: Combustion chamber - Top view

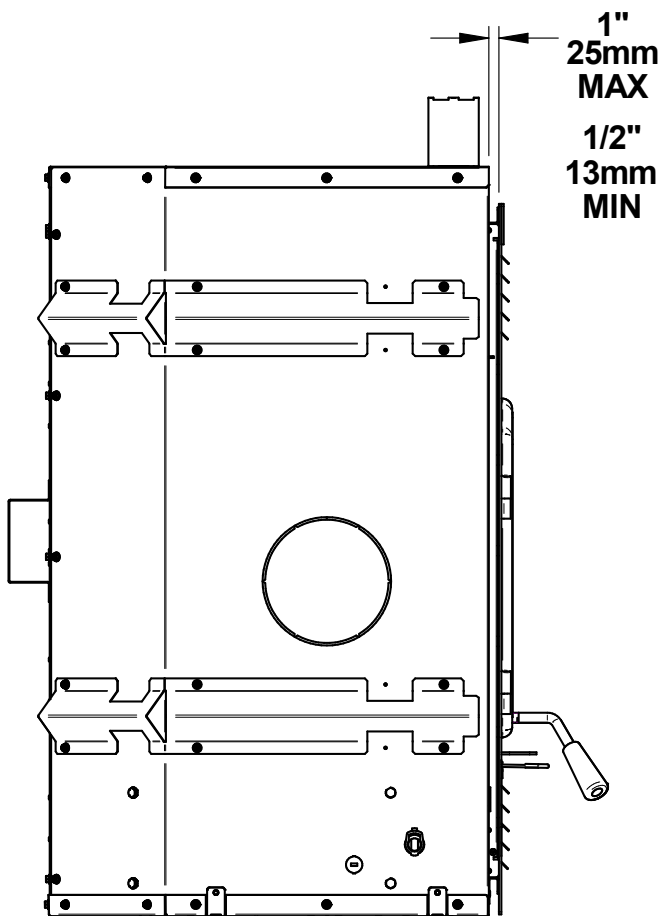


Figure 8: Left view - Faceplate projection

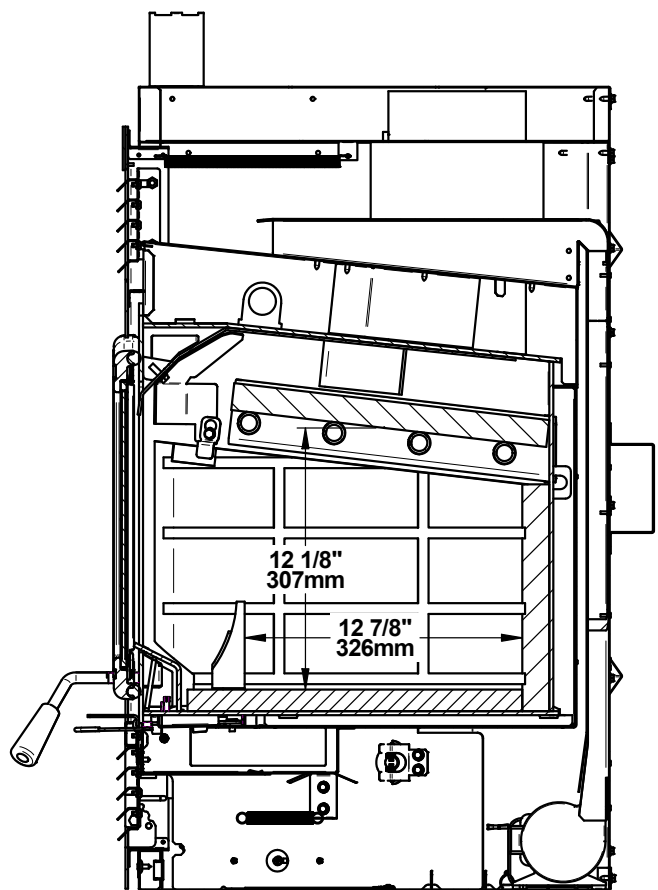


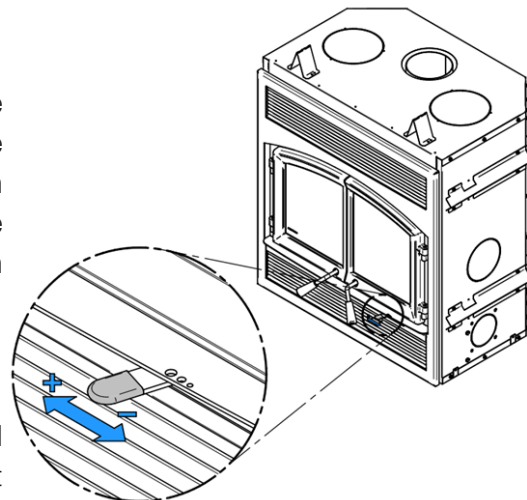
Figure 9: Combustion chamber - Side view

2.4 EPA Certification Loading

The loading methods shown below are those used during emissions certification.

2.4.1 Air control

The air control is located below the ash shelf on the right. To open the air control, push the air control handle completely to the left (High). This will increase the burn rate. To close the air control, push the air control handle completely to the right (Low). This will decrease the burn rate.



2.4.2 High burn rate (primary air control open)

Open the air control completely. Criss cross 10 small pieces (2"x2") of wood into the firebox in 3 layers (2 at the bottom, 4 in the middle and 4 on top). Criss cross 10 to 12 finely split kindling wood pieces over the small pieces of wood. Tie knot with five sheets of paper and place them on top of the kindling wood. Light up the paper and let the door completely open until the 2 top layers are burning. Close the door. When the kindling and the small pieces of wood are almost completely burnt out and it is possible to break them into small pieces, level the coal bed and put 5 logs in the firebox. Place 2 small pieces (about 3" x 3") in the bottom in a reverse V shape, then put two medium size pieces (about 4"x4") in an East-West orientation in the back (over the reverse V). Put a big piece (about 5"x5") in the front over the reverse V. Try to leave air space between the pieces. Let the door fully open for 3 minutes or when the fire is fully established and close the door. Leave the air control fully opened.

2.4.3 Medium and low burn rate

On a 2" coal bed that is dark red, add 6 pieces of wood in the firebox. Place 2 small pieces (about 2.5" x 2.5") in the bottom in a reverse V shape, then put 2 medium size pieces (about 4"x4") in an East-West orientation in the back (over the reverse V). Put a big piece (about 5"x5") in an East-West orientation in the front (over the reverse V) and put a last medium size piece (about 4"x4") over the two medium size pieces in the back. Try to leave air space between the pieces. Let the door open at 90° for 3 minutes 30 seconds or when the fire is fully established and close the door. Leave the primary air control open for approximately 5 minutes and then close the primary air control halfway. After another 5 minutes, close the air control completely for the low burn rate and 3/8" open for the medium burn rate.

2.5 Materials

The **body** of this fireplace, which is most of its weight, is carbon steel. Should it ever become necessary many years in the future, almost the entire fireplace can be recycled into new products, thus eliminating the need to mine new materials.

The **paint** coating on the fireplace is very thin. Its VOC content (Volatile Organic Compounds) is very low. VOCs can be responsible for smog, so all the paint used during the manufacturing process meets the latest air quality requirements regarding VOC reduction or elimination.

The **air tubes** are stainless steel, which can also be recycled.

The **baffle** is made of aluminosilicate fibre material that is compressed with a binder to form a rigid board. C-Cast can withstand temperatures above 2,000 °F. It is not considered hazardous waste. Disposal at a waste management center is recommended.

Moulded **refractory panels** are mainly composed of silicon dioxide, also known as silica, a product processed from a mined mineral. It is most commonly found in nature in the form of sand and clay. Disposal at a waste management center is recommended. The steel mesh contained in some refractory bricks can also be recycled.

The door and glass **gaskets** are fibreglass which is spun from melted sand. Black gaskets have been dipped into a solvent-free solution. Disposal at a waste management center is recommended.

The door **glass** is a 5/32" (4 mm) thick ceramic material that contains no toxic chemicals. It is made of natural raw materials such as sand and quartz that are combined in such a way to form a high temperature glass. Ceramic glass cannot be recycled in the same way as normal glass, so it should not be disposed of with regular household products. Disposal at a waste management center is recommended.

2.6 Zone Heating

This fireplace is a space heater, which means it is intended to heat the area it is installed in, as well as spaces that connect to that area, although to a lower temperature. This is called zone heating and it is an increasingly popular way to heat homes or spaces within homes. Zone heating can be used to supplement another heating system by heating a particular space within a home, such as a basement, a family room or an addition that lacks another heat source.

Houses of moderate size and relatively new construction can be heated with a properly sized and located wood fireplace. Whole house zone heating works best when the fireplace is in the part of the house where the family spends most of its time. This is normally the main living area where the kitchen, dining and living rooms are located.

Locating the fireplace in this area will give the maximum benefit of the heat it produces and will achieve the highest possible heating efficiency and comfort. The space where the most time is spent will be warmest, while bedrooms and basement (if there is one) will stay cooler. In this way, less wood is burnt than with other forms of heating.

Although the fireplace may be able to heat the main living areas of the house to an adequate temperature, it is strongly recommended to also have a conventional oil, gas or electric heating system to provide backup heating.

The success of zone heating will depend on several factors, including the correct sizing and location of the fireplace, the size, layout and age of your home and your climate zone. Three-season vacation homes can usually be heated with smaller fireplaces than houses that are heated all winter.

2.7 Emissions and Efficiency

The low smoke emissions produced by the special features inside this fireplace firebox mean that the household will release up to 90% less smoke into the outside environment than if an older conventional fireplace was used. But there is more to the emission control technologies than protecting the environment.

The smoke released from wood when it is heated contains about half of the energy content of the fuel. By burning the wood completely, this fireplace releases all the heat energy from the wood instead of wasting it as smoke up the chimney. Also, the features inside the firebox allow control of the air supply meaning controlling the heat output, while maintaining clean and efficient flaming combustion, which boosts the efficient delivery of heat to the home.

The emission control and advanced combustion features of this fireplace can only work properly if the fuel used is in the correct moisture content range of 15% to 20%. Refer to the following section of suggestions on preparing fuelwood and judging its moisture.

3. Fuel

Good firewood has been cut to the correct length for the fireplace, split to a range of sizes and stacked in the open until its moisture content is down to 15% to 20%.

DO NOT BURN:

- **GARBAGE;**
- **LAWN CLIPPINGS OR YARD WASTE;**
- **MATERIALS CONTAINING RUBBER, INCLUDING TIRES;**
- **MATERIALS CONTAINING PLASTIC;**
- **WASTE PETROLEUM PRODUCTS, PAINTS OR PAINT THINNERS, OR ASPHALT PRODUCTS;**
- **MATERIALS CONTAINING ASBESTOS;**
- **CONSTRUCTION OR DEMOLITION DEBRIS;**
- **RAILROAD TIES OR PRESSURE-TREATED WOOD;**
- **MANURE OR ANIMAL REMAINS;**
- **SALT WATER DRIFTWOOD OR OTHER PREVIOUSLY SALT WATER SATURATED MATERIALS;**
- **UNSEASONED WOOD; OR**
- **PAPER PRODUCTS, CARDBOARD, PLYWOOD, OR PARTICLE BOARD. THE PROHIBITION AGAINST BURNING THESE MATERIALS DOES NOT PROHIBIT THE USE OF FIRE STARTERS MADE FROM PAPER, CARDBOARD, SAW DUST, WAX AND SIMILAR SUBSTANCES FOR THE PURPOSE OF STARTING A FIRE IN AN AFFECTED WOOD HEATER.**

BURNING THESE MATERIALS MAY RESULT IN THE RELEASE OF TOXIC FUMES OR RENDER THE HEATER INEFFECTIVE AND CAUSE SMOKE.

3.1 Tree Species

The tree species the firewood is produced from is less important than its moisture content. The main difference in firewood from various tree species is the density of the wood. Hardwoods are denser than softwoods.

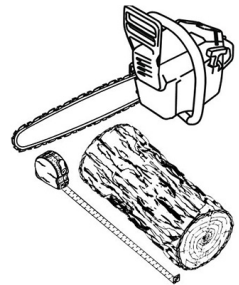
Homeowners with access to both hardwood and softwood use both types for different purposes. Softer woods make good fuel for mild weather in spring and fall because they light quickly and produce less heat.

Softwoods are not as dense as hardwoods so a given volume of wood contains less energy. Using softwoods avoids overheating the house, which can be a common problem with wood heating in moderate weather. Harder woods are best for colder winter weather when more heat and longer burn cycles are desirable.

Hardwood trees like oak, maple, ash and beech are slower growing and longer lived than softer woods like poplar and birch. That makes hardwood trees more valuable. The advice that only hardwoods are good to burn is outdated. Old, leaky cast iron fireplaces wouldn't hold a fire overnight unless they were fed large pieces of hardwood.

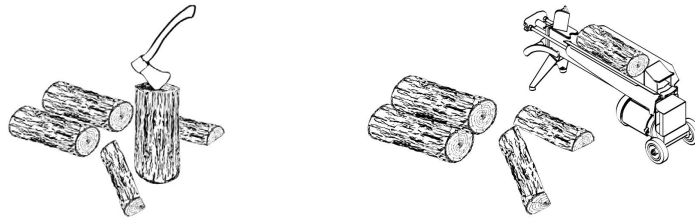
3.2 Log Length

Logs should be cut at least 1" (25 mm) shorter than the firebox so they fit in easily. Pieces that are even slightly too long makes loading the fireplace very difficult. The most common standard length of firewood is 16" (400 mm).



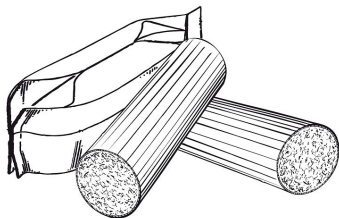
3.3 Piece Size

Firewood dries more quickly when it is split. Large unsplit rounds can take years to dry enough to burn. Even when dried, unsplit logs are difficult to ignite because they don't have the sharp edges where the flames first catch.



Wood should be split to a range of sizes, from about 3" to 6" (75 mm to 150 mm) in cross section. Having a range of sizes makes starting and rekindling fires much easier.

3.4 Compressed Wood Logs



Compressed wood logs made of 100% compressed sawdust can be burned with caution in the number of these logs burned at once. Do not burn compressed logs made of wax impregnated sawdust or logs with any chemical additives. **Do not poke or stir the logs while they are burning.**

Use only logs that meet the requirements of ULC/ORD C127 M1990 for composite logs. Refer to package cautions and warnings before using logs.

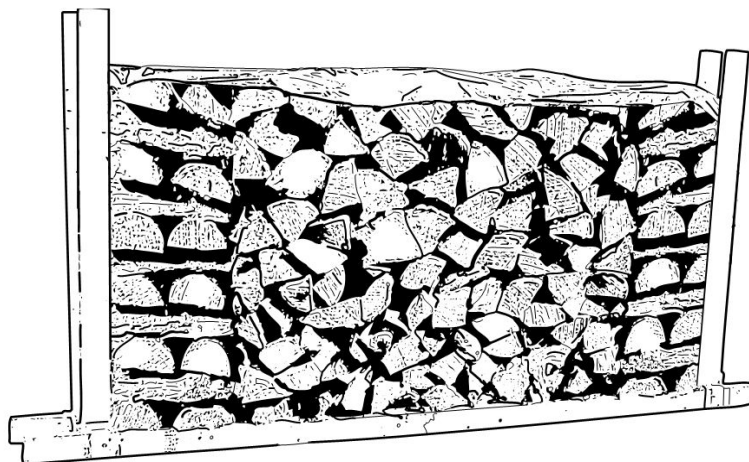
3.5 Drying Time

Firewood that is not dry enough to burn is the cause of most complaints about wood-burning appliances. Continually burning green or unseasoned wood produces more creosote and involves lack of heat and dirty glass doors.

Firewood with a moisture content between 15% and 20% will allow the fireplace to produce its highest possible efficiency.

Here are some facts to consider in estimating drying time:

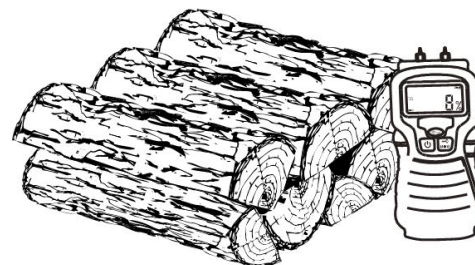
- Firewood bought from a dealer is rarely dry enough to burn, so it is advisable to buy the wood in spring and dry it yourself;
- Drying happens faster in dry weather than in a damp climate;
- Drying happens faster in warm summer weather than in winter weather;
- Split pieces dry more quickly than unsplit rounds;
- Softwoods like pine, spruce, poplar, and aspen take less time to dry than hardwoods. They can be dry enough to burn after being stacked to air dry only for the summer months;
- Hardwoods like oak, maple and ash can take one, or even two years to dry fully, especially if the pieces are big;
- Firewood dries more quickly when stacked outside in a location exposed to sun and wind; it takes much longer to dry when stacked in a wood shed;
- Firewood with a moisture content of 15% to 20% will allow the fireplace to reach its highest efficiency.



ENGLISH

Firewood is dry enough to burn when:

- Cracks form at the end of logs;
- The wood turns from white or cream colored to grey or yellow;
- Two pieces of wood struck together sounds hollow;
- The face of a fresh cut feels warm and dry;
- The moisture content read by a moisture meter is between 15% to 20%.



4. Operating the Fireplace



This wood heater has a manufacturer-set minimum low burn rate that must not be altered. It is against federal regulations to alter this setting or otherwise operate this wood heater in a manner inconsistent with operating instructions in this manual.

4.1 Using a Fire Screen

In the United States or in provinces with a particulate emissions limit (e.g.: US EPA), the use of open-door wood fireplace with a rigid fire screen is prohibited.

This fireplace has been tested for use with an open door in conjunction with a fire screen, sold separately. The fire screen must be properly secured on the fireplace to avoid any risk of sparks damaging the flooring. When the fire screen is in use, do not leave the fireplace unattended to respond promptly in the event of smoke spillage into the room. Potential causes of smoke spillage are described in Section [«9. The Venting System»](#) of this manual. See [«Appendix 7: Optional Fire Screen Installation»](#) for installation instructions.

Operating the fireplace with a fire screen increases possibilities of generating carbon monoxide. Carbon monoxide is an odourless gas that is highly toxic which can cause death at high concentration in air. Installation of a carbon monoxide detector is highly recommended.

4.2 Blower Operation

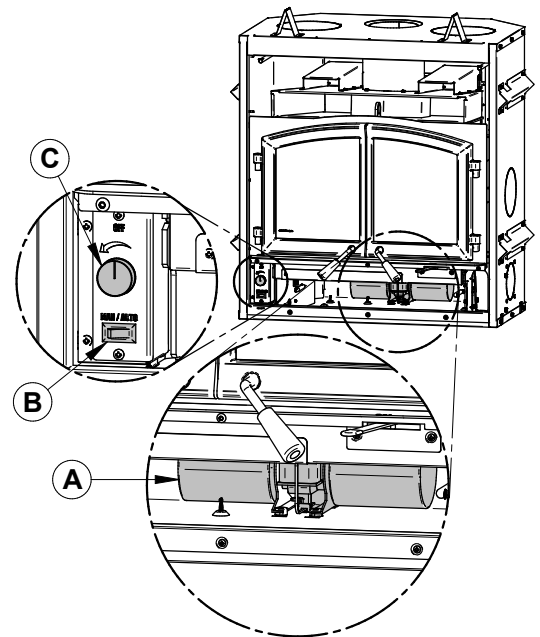
A blower **(A)** is already installed in the fireplace. It is located behind the faceplate, at the bottom of the fireplace. Its function is to increase airflow around the fireplace air jacket and improve hot air circulation in the room. When used regularly, the blower can provide a small increase in efficiency, up to 2%. However, the use of a blower should not be used as a way to gain more output from a fireplace that is undersized for the space it is intended to heat.

The blower can operate in automatic or manual mode. To choose the mode, just press the rocker switch **(B)** and choose «AUTO» for automatic mode and «MAN» for manual mode.

Automatic mode: Press the rocker switch **(B)** and choose the «AUTO» mode. Choose the operating speed of the blower with the rheostat button **(C)** above. The blower will start automatically when the fireplace is warm and will shut down automatically when the fireplace is cold.

Manual mode: Press the rocker switch **(B)** and select the «MAN» mode. Choose the operating speed of the blower with the rheostat button **(C)** above. The blower will start immediately. The blower must be stopped manually, either by turning the rheostat button **(C)** fully to the left or by changing the mode.

OFF: To completely turn off the blower, turn the rheostat button **(C)** counterclockwise until the blower stops.



5. Burning Wood Efficiently

5.1 First Use

Two things happen when burning the first few fires; the paint cures and the internal components are conditioned. As the paint cures, some of the chemicals vaporize. The vapors are not poisonous, but they smell bad. Fresh paint fumes can also trigger false alarms in smoke detectors. When lighting the heater for the first few times, it may be wise to open doors and windows to ventilate the house.

Burn two or three small fires to begin the curing and conditioning process. Then build bigger and hotter fires until there is no longer paint smell from the fireplace. As hotter and hotter fires are burned, more of the painted surfaces reach the curing temperature of the paint. The smell of curing paint does not disappear until one or two very hot fires have been burned.

5.2 Lighting Fires

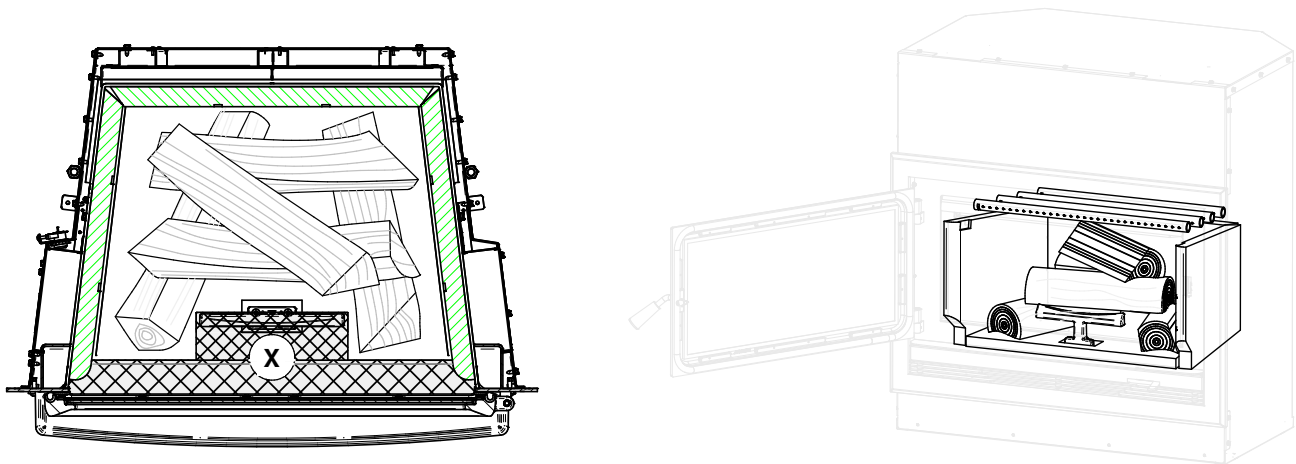
Each person heating with wood develops its own favorite way to light fires. Regardless of the method chosen, the goal should be to have a hot fire burning, quickly. A fire that ignites fast produces less smoke and deposits less creosote in the chimney.



Never use gasoline, gasoline-type lantern fuel (naphtha), fuel oil, motor oil, kerosene, charcoal lighter fluid, or similar liquids or aerosols to start or ‘freshen up’ a fire in this wood fireplace. Keep all such liquids well away from the fireplace while it is in use.

5.2.1 EPA loading method

The best loading method for efficient and clean combustion with this fireplace is the EPA loading method which you can find in the section [«2.4 EPA Certification Loading»](#).



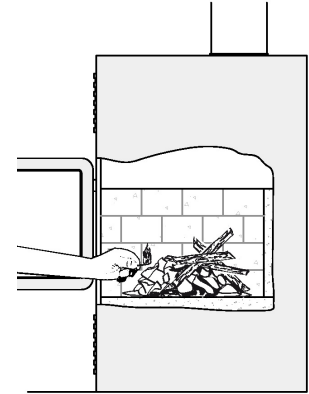
The images above show the space in the firebox where the logs are to be placed. It is important to always respect this space and not to put logs in the grid area marked with an X. The marked area is defined by the space between the glass and the cast-iron andiron. To have a good ignition, place the two lower logs in a north-south position and cross the others on top. Leave enough space between the logs for good air circulation. The log length recommended for this fireplace is 16 in.

Here are three more ways to ignite wood fires.

5.2.2 Conventional Method

The conventional method to build a wood fire is to crumple 5 to 10 sheets of newspaper and place them in the firebox and hold them in place with ten pieces of kindling wood. The kindling should be placed on and behind the newspaper.

Then add two or three small pieces of firewood. Open the air intake control completely and ignite the newspaper. Leave the door slightly ajar. Once the fire has ignited, the door can be closed with the air control still fully open. When the kindling is almost completely burned, standard firewood pieces can be added.



Do not leave the fireplace unattended when the door is slightly open. Always close and latch the door after the fire ignites.

5.2.3 The Top Down Method

This method is the opposite of the conventional method and only works properly if well-seasoned wood is used.

Place three or four small, split, dry logs in the firebox. Arrange the kindling wood on the logs in two layers at right angles and place a dozen finely split kindling on the second row. It is possible to use ragged paper but it may not hold in place since it tends to roll while it is burning. The best is to wrap a sheet on itself, grab the ends of the roll and make a knot.

Use four or five sheets of paper tied together and put them on top and around the kindling. Open the air intake control completely, ignite the paper and close the door.

The top down fire method has two advantages over the traditional method: first, the fire does not collapse on itself, and it is not necessary to add wood gradually since the combustion chamber is full before the fire is lit.

5.2.4 Two Parallel Logs Method

Two spit logs are placed in the firebox with a few sheets of twisted newspapers in between the logs. Fine kindling is added across the two logs and some larger kindling across those, log cabin style. Newspaper is lit.

5.2.5 Using Fire Starters

Commercial fire starters can be used instead of a newspaper. Some of these starters are made of sawdust and wax and others are made of specialized flammable solid chemicals. Always follow the package directions when using.

Gel starters can also be used, but only to light a fire, in a cold combustion chamber without hot embers inside.

5.3 Combustion Cycles

Wood heating with a space heater is very different than other forms of heating. There will be temperature variations in different parts of the house and there will be temperature variations

throughout day and night. This is normal, and for experienced wood burners these are advantages of zone heating wood burning.

Wood heaters don't have a steady heat output. It is normal for the temperature to rise after a new load of wood is ignited and for its temperature to gradually decrease throughout the burning cycle.

This increasing and decreasing temperature can be matched with the household routines. For example, the temperature in the area can be cooler when the household is active, and it can be warmer when it is inactive.

Wood burns best in cycles. A cycle starts when a new load of wood is ignited by hot coals and ends when that load has been consumed down to a bed of charcoal about the same size as it was when the wood was loaded.

Trying to produce a steady heat output by placing a single log on the fire at regular intervals is not recommended. Always place at least three, and preferably more pieces on the fire at a time so that the heat radiated from one piece helps to ignite the pieces next to it. Each load of wood should provide several hours of heating. The size of each load may vary depending on the amount of heat required.

Burning in cycles means the loading door does not need to be opened while the wood is flaming. This is an advantage since it is preventing smoke leaking from the heater when the door is opened as a full fire is burning. This is especially true if the chimney is on the outside wall of the house.

If the door must be opened while the fire is flaming, fully open air control for a few minutes then open the door slowly.

5.4 Rekindling a Fire

When the temperature of the room is lower and all that remains is embers, it is time to reload. Remove excess ash from the front of the firebox and bring the ashes forward. Place a new load of wood on, and at the back of the embers. Open the air control completely and close the door.



Raking the coals is useful for two reasons. First, it brings them near where most of the combustion air enters the firebox. This will ignite the new load quickly. Secondly, the charcoal will not be smothered by the new load of wood. When the embers are simply spread inside the combustion chamber, the new load smoulder for a long time before igniting.

Close the air control only when the firebox is full of bright turbulent flames, the wood is charred, and its edges are glowing.

The heater should not be left unattended during ignition and the fire should not burn at full intensity for more than a few minutes.

When lighting a new load, the appliance produces a heat surge. This heat surge is pleasant when the room temperature is cool but can be unpleasant when the room is already warm. Therefore, it is best to let each load of wood burn completely so that the room cools down before putting a load of wood back on.

5.5 Removing Ashes

Ash should be removed from the firebox every two to three days of full-time heating. Ash should not accumulate excessively in the firebox since it will affect the proper operation of the appliance.

The best time to remove ash is in the morning, after an overnight fire when the fireplace is relatively cold, but there is still a little chimney draft to draw the ash dust into the fireplace and prevent going out into the room.

Ashes should be placed in a tightly covered metal container. The container must be placed on a non-combustible floor or on the ground well away from all combustible materials. Ashes almost always contain live embers that can stay hot for days and which release carbon monoxide gas. If the ashes are disposed of by burial in soil or otherwise locally dispersed, they should be kept in a closed metal container until they are completely cooled. No other waste should be placed in this container.



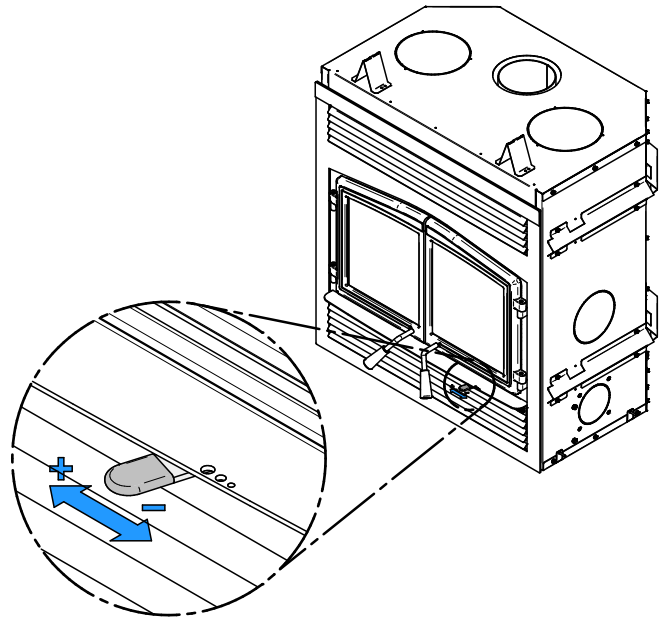
NEVER STORE ASHES INDOORS OR IN A NON-METALLIC CONTAINER OR ON A WOODEN DECK.

5.6 Air Intake Control

Once the firewood, firebox and chimney are hot, air intake can be reduced to achieve a steady burn.

As the air intake is reduced, the burn rate decreases. This has the effect of distributing the thermal energy of the fuel over a longer period of time. In addition, the flow rate of exhaust through the appliance and flue pipe slows down, which increases the duration of the energy transfer of the exhaust gases. As the air intake is reduced, the flame slows down.

If the flames diminish to the point of disappearing, the air intake has been reduced too early in the combustion cycle or the wood used is too wet. If the wood is dry and the air control is used properly, the flames should decrease, but remain bright and stable.



On the other hand, too much air can make the fire uncontrollable, creating very high temperatures in the unit as well as in the chimney and seriously damaging them. A reddish glow on the unit and on the chimney components indicates overheating. Excessive temperatures can cause a chimney fire.

5.7 Fire Types

Using the air intake control is not the only way to match the fireplace heat output to the desired temperature in the house. A house will need far less heating in October than in January to maintain a comfortable temperature. Filling the firebox full in fall weather will overheat the space. Otherwise, the combustion rate will have to be reduced to a minimum and the fire will be smoky and inefficient.

Here are some suggestions for building fires suitable for different heating needs.

5.7.1 Flash Fire

To build a small fire that will produce a low heat output, use small pieces of firewood and load them crisscross in the firebox. The pieces should only be 3" (76 mm) to 4" (102 mm) in diameter. After raking the coals, lay two pieces parallel to each other diagonally in the firebox and lay two more across them in the other direction. Open the air control fully and only reduce the air after the wood is fully flaming.

This kind of fire is good for mild weather and should provide enough heat for up to four hours. Small fires like this are a good time to use softer wood species and avoid overheating the house.

5.7.2 Low and Long Output Fires

For a fire that will last up to eight hours but will not produce intense heat, use soft wood and place the logs compactly in the firebox. Before reducing the air intake, the load will have to burn at full heat for long enough for charring the surface of the logs. The flame must be bright before letting the fire burn by itself.

5.7.3 High Output Fires

When heating needs are high during cold weather, the fire should burn steadily and brightly. This is the time to use larger pieces of hardwood. Place the biggest pieces at the back of the firebox and place the rest of the pieces compactly. A densely built fire like this will produce the longest combustion this fireplace is capable of. Special attention must be paid when building fires like this since if the air intake is reduced too quickly, the fire could smoulder. The wood must be flaming brightly before leaving the fire to burn.

5.7.4 Maximum Burn Cycle Times

The burn cycle time is the period between loading wood on a coal bed and the consumption of that wood back to a coal bed of the same size. The flaming phase of the fire lasts for roughly the first half of the burn cycle and the second half is the coal bed phase during which there is little or no flame. The burning time expected from this fireplace, including both phases, will vary depending on a number of things, such as:

- firebox size,
- the amount of wood loaded,
- the species of wood,
- the wood moisture content,
- the size of the space to be heated,
- the climate zone where the house is, and
- the time of the year.

The table below gives an approximate maximum burn cycle times, based on firebox volume.

Table 1 : Approximate Maximum Burn Cycle Time

FIREBOX VOLUME	MAXIMUM BURN CYCLE TIME
<1.5 cubic feet	3 to 5 hours
1.5 c.f. to 2.0 c.f.	5 to 6 hours
2.0 c.f. to 2.5 c.f.	6 to 8 hours
2.5 c.f. to 3.0 c.f.	8 to 9 hours
>3.0 c.f.	9 to 10 hours

A longer burning time is not necessarily an indication of efficient fireplace operation. It is preferable to build a smaller fire that will provide three or four hours of heating than to fully load the firebox for a much longer burn. Shorter burn cycles make it easier to match the heat output of the fireplace to the heat demand for the space.

5.7.5 Logs Orientation

In a relatively square firebox, the wood can be loaded north-south (ends of the logs visible) or east-west (sides of the logs visible).

North-south loads allow more wood to be loaded at the same time. On the other hand, they break into smaller pieces faster. North-south loading is good for high output, long lasting fires for cold weather.

East-west loads allow a limited amount of wood since too many logs could cause them to fall on the glass. East-west loads, placed in a compact way, take a long time before breaking down. They are excellent for low-intensity, long-lasting fires in relatively mild weather.

5.7.6 Carbon Monoxide

When there is no more flame in the firebox and there are still some unburned logs, check outside if there is smoke coming out of the chimney. If this is the case, it means that the fire is out of air to burn properly. In this situation, the level of CO increase and it is important to react. Open the door slightly and move the logs with a poker. Create a passage for the air below by making a trench with the ember bed. Add small pieces of wood to restart the combustion.

6. Maintenance

This heater will give many years of reliable service if used and maintained properly. Internal components of the firebox such as firebricks or refractory panels, baffle and air tubes will wear over time. Defective parts should always be replaced with original parts.

To avoid premature deterioration, follow the lighting and reloading procedures in section [«5. Burning Wood Efficiently»](#) and also avoid letting the heater run with the air intake fully open for entire burn cycles.

6.1 Cleaning and Painting

Painted and plated surfaces can be wiped down with a soft, damp cloth. If the paint is scratched or damaged, it is possible to repaint the fireplace with a heat-resistant paint. **Do not clean or paint the fireplace when it is hot.** Before painting, the surface should be sanded lightly with sandpaper and then wiped off to remove dust. Apply two thin layers of paint.

6.2 Refractory Material and Baffle

The intense heat of the fire can cause slight cracks in the refractory panels. It is possible to minimize the appearance of these cracks by hardening the panels as described in the section [«5.1 First Use»](#). Slight cracks will not reduce the effectiveness of the panels. On the other hand, if wider cracks appear, they must be replaced. Inspect the refractory panels and the baffle for damage periodically and replace anything that is cracked or broken.

Operation of the heater with a cracked or missing baffle may cause unsafe temperatures and hazardous conditions and will void the warranty.

6.3 Glass Door

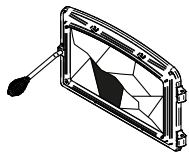
6.3.1 Cleaning

Under normal conditions, the door glass should stay relatively clear. If the firewood is dry enough and the operating instructions in this manual are followed, a whitish, dusty deposit will form on the inner surface of the glass after a week or so of use. This is normal and can be easily removed when the heater is cold by wiping with a damp cloth or paper towel and then drying.

When the fireplace runs at a low combustion rate, light brown stains may form, especially in the lower corners of the glass. This indicates that the fire has been smoky and some of the smoke has condensed on the glass. It also indicates incomplete combustion of the wood, which also means more smoke emissions and faster formation of creosote in the chimney.

The deposits that form on the glass are the best indication of the fuel quality and success in properly using the fireplace. These stains can be cleaned with a special wood stove glass cleaner. **Do not use abrasive products to clean the glass.**

The goal should be having a clear glass with no brown stains. If brown stains appear regularly on the glass, something about the fuel or the operating procedure needs to be changed. When brown streaks are coming from the edge of the glass, it is time to replace the gasket around the glass. Always replace the gasket with a genuine one.



Do not clean the glass when the fireplace is hot.

Do not abuse the glass door by striking or slamming shut.

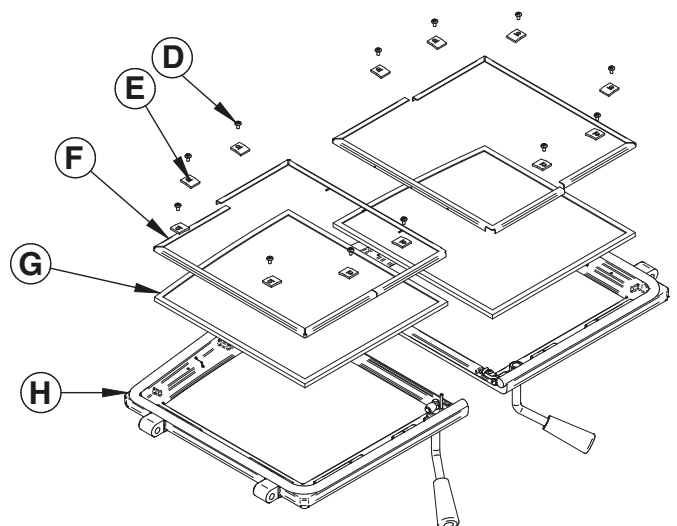
Do not use the fireplace if the glass is broken.

6.3.2 Replacement

The glass used is a ceramic glass, 5/32" (4 mm) thick, 12 1/2" x 11 1/8" (319 mm x 283 mm) tested to reach temperatures up to 1400° F. If the glass breaks, it must be replaced with one having the same specification. **Tempered glass or ordinary glass will not withstand the high temperatures of this unit.**

To remove or replace the glass **(G)**:

1. Remove the door **(H)** and place it face-down on something soft.
2. Remove the glass retainers **(E)** held in place by the screws **(D)**.
3. Remove the frames **(F)**.
4. Remove the glass. If it is damaged install a new one in place. The replacement glass must have a gasket all around.
5. Reinstall the glass, being careful to centre the glass in the door and not to over-tightening the retaining screw.

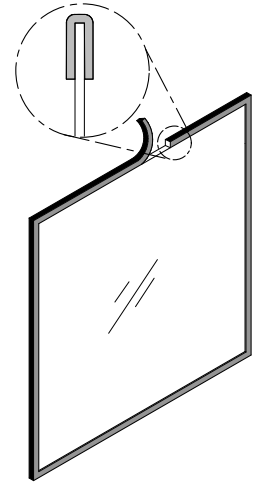


The two main causes of broken door glass are uneven placement in the door and over-tightening the retaining screws.

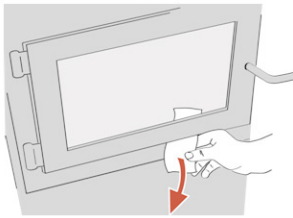
6.3.3 Gasket

The glass gasket is flat, adhesive-backed, woven fibreglass. The gasket must be centred on the edge of the glass.

1. Follow the steps of the previous section to remove the glass.
2. Remove the old gasket and clean the glass thoroughly.
3. Peel back a section of the paper covering the adhesive and place the gasket on a table with the adhesive side up.
4. Stick the end of the gasket to the middle of one edge, then press the edge of the glass down onto the gasket, taking care that it is perfectly centred on the gasket.
5. Peel off more of the backing and rotate the glass. The gasket must not be stretched during installation.
6. Cut the gasket to the required length. Pinch the gasket onto the glass in a U-shape, all around the glass.



6.4 Door



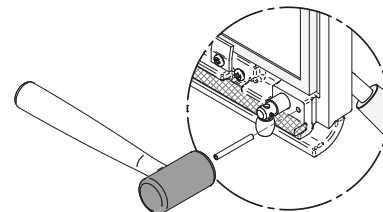
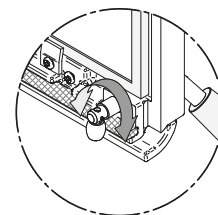
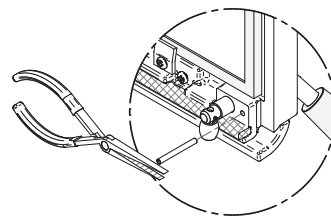
In order for the fireplace to burn at its best efficiency, the door must provide a perfect seal with the firebox. Therefore, the gasket should be inspected periodically to check for a good seal. The tightness of the door seal can be verified by closing and latching the door on a strip of paper. The test must be performed all around the door. If the paper slips out easily anywhere, either adjust the door or replace the gasket.

At the end of each heating season it is recommended to add a high temperature graphite paste on the threads of the door handles. This paste will protect the threads from rust and prevent dust accumulation that can prevent the handles from rotating freely.

6.4.1 Adjustment

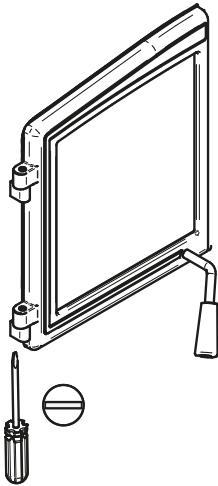
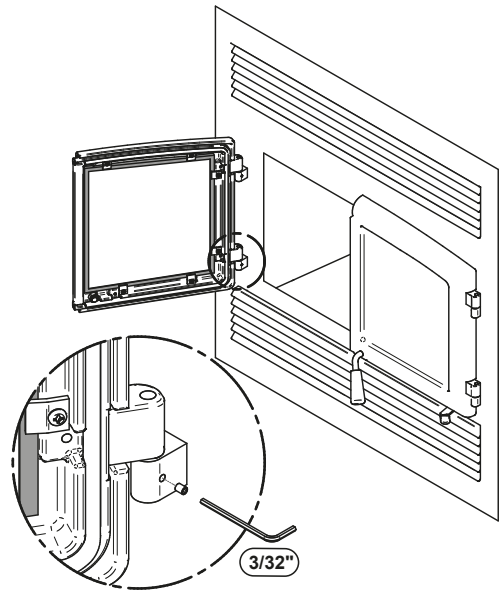
The door seal may be improved with a simple latch mechanism adjustment on the right door:

1. Remove the split pin by pulling and turning it using pliers.
2. Turn the handle one counterclockwise turn to increase pressure.
3. Reinstall the split pin with a small hammer.



6.4.2 Alignment

To align the doors, open the doors and slightly unscrew the set screws on the lower and upper door hinges with a 3/32" Allen key to release the adjustable hinge rods.



Using a flat screwdriver, turn the adjustable hinge rods in the directions shown to adjust the doors. Tighten the set screws on the door hinges when they are in the desired positions.

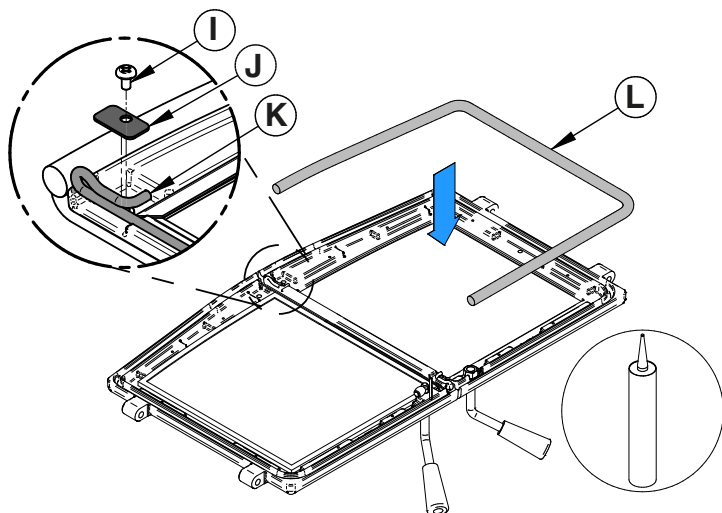
	Doors position with more space		Doors position with less space		Doors tilt up		Doors tilt down	
	Left	Right	Left	Right	Left	Right	Left	Right
Top pintle								
Bottom pintle								

6.4.3 Gasket

It is important to replace the gasket with another having the same diameter and density to maintain a good seal.

1. Remove the door and place it face-down on something soft.
2. Remove the old gasket **(L)** from the door. Use a screwdriver to scrape the old gasket adhesive from the door gasket groove.
3. Also remove the screws **(I)**, the retainers **(J)** and the door middle gasket **(K)**.

4. Apply a bead of approximately 3/16" (5 mm) of high temperature silicone in the door gasket groove. Starting from the middle, hinges side, press the gasket into the groove. The gasket must not be stretched during installation.
5. Leave about 1/2" (10 mm) long of the gasket when cutting and press the end into the groove. Tuck any loose fibers under the gasket and into the silicone.
6. Close the door. Do not use the fireplace for 24 hours.



Location	Dimensions
On each door frame (L)	45 1/2" long Round 5/8"
Center door (K)	20 1/2" long Round 1/4"

6.5 Exhaust System

Wood smoke can condense inside the chimney, forming an inflammable deposit called creosote. If creosote builds up in the system, it can ignite when a hot fire is burned in the insert. A very hot fire can progress to the top of the chimney. Severe chimney fires can damage even the best chimneys. Smouldering, smoky fires can quickly cause a thick layer of creosote to form. When the insert is operated properly, the exhaust from the chimney is mostly clear and creosote builds up more slowly.

«Creosote - Formation and Need to Removal

When wood is burned slowly, it produces tar and other organic vapors, which combine with expelled moisture to form creosote. The creosote vapors condense in the relatively cooler chimney flue of a slow-burning fire. As a result, creosote residue accumulates on the flue lining. When ignited this creosote makes an extremely hot fire. The chimney connector and chimney should be inspected at least once every two months during the heating season to determine if a creosote buildup has occurred. If creosote has accumulated (1/8" [3 mm] or more it should be removed to reduce the risk of a chimney fire»

6.5.1 Cleaning frequency

It is not possible to predict how much or how quickly creosote will form in the chimney. It is important, therefore, to check the buildup in the chimney monthly until the rate of creosote formation is determined. Even if creosote forms slowly in the system, the chimney should be cleaned and inspected at least once each year. Establish a routine for the fuel, wood burner and firing technique. Check daily for creosote buildup until experience shows how often you need to clean to be safe. Be aware that the hotter the fire, the less creosote is deposited and weekly cleaning may be necessary in mild weather even though monthly cleaning may be enough in the coldest months. Contact your local municipal or provincial fire authority for information on how to handle a chimney fire. Have a clearly understood plan to handle a chimney fire.

6.5.2 Sweeping the Chimney

Chimney sweeping can be a difficult and dangerous job. People with no chimney sweeping experience will often prefer to hire a professional chimney sweep to inspect and clean the system for the first time. After seeing the cleaning process, some will choose to do it themselves. The chimney should be checked regularly for creosote buildup. Inspection and cleaning of the chimney can be facilitated by removing the baffle. See [«Appendix 9: Secondary Air Tubes and Baffle Installation»](#) for more details.



6.5.3 Chimney Fire

Regular chimney maintenance and inspection can prevent chimney fires. If you have a chimney fire, follow these steps:

1. Close the fireplace doors and the air intake control;
2. Alert the occupants of the house of the possible danger;
3. If you require assistance, alert the fire department;
4. If possible, use a dry chemical fire extinguisher, baking soda or sand to control the fire. *Do not use water* as it may cause a dangerous steam explosion;

Do not use the fireplace again until the fireplace and its chimney have been inspected by a qualified chimney sweep or a fire department inspector.

PART B – INSTALLATION

Install the fireplace only as described in these instructions and using only the following fireplace components and chimney components from chimney manufacturers listed in [«Table 4 : Approved Chimneys»](#).

- Fireplace;
- Faceplate;
- Overlay;
- Refractory panels;
- Insulated chimney made by the manufacturers listed in [Table 4](#), with the corresponding specifications:
 - Chimney lengths;
 - Elbows (where necessary);
 - Associated components as per these installation instructions.

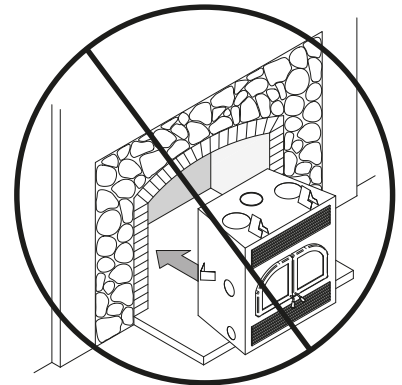
Additional Equipment (optional)

- Forced air distribution kit;
- Traditional or modern gravity hot air distribution kit;
- Fresh air kit;
- Fire Screen;
- Heat shield for combustible shelf.

7. Safety Information and Standards

7.1 Safety

- The fireplace and chimney must be in an enclosure up to the attic.
- **CAUTION: DO NOT ATTEMPT TO MODIFY OR ALTER THE CONSTRUCTION OF THE FIREPLACE OR ITS COMPONENTS. ANY MODIFICATION OR ALTERATION OF CONSTRUCTION MAY VOID THE WARRANTY, LISTINGS AND APPROVAL OF THIS SYSTEM. IN THAT CASE, STOVE BUILDER INTERNATIONAL (SBI) WILL NOT BE RESPONSIBLE FOR DAMAGES. INSTALL THE FIREPLACE ONLY AS DESCRIBED IN THESE INSTRUCTIONS.**
- Mixing of appliance components from different sources or modifying components are prohibited and will void the warranty. Any modification of the fireplace that has not been approved in writing by the testing authority is prohibited and violates CSA B365 (Canada) and NFPA 211 (USA) standards.
- The manufacturer grants no warranty, implied or stated, for the poor installation or lack of maintenance of the fireplace and assumes no responsibility for any consequential damages.
- This fireplace must always be used with the original andirons.
- Do not use a fireplace insert and other products not specified for use with this fireplace.
- Do not install in a mobile home (Canada) or manufactured home (USA).
- Do not use materials other than those listed in the replacement parts section during installation as they may be safety hazards and a fire could result.
- **WARNING : THIS FIREPLACE HAS NOT BEEN TESTED WITH AN UNVENTED GAS LOG SET. TO REDUCE THE RISK OF FIRE OR INJURY, DO NOT INSTALL AN UNVENTED GAS LOG SET INTO THIS FIREPLACE.**



7.2 Standards

When installed and operated as described in these instructions, this wood fireplace is suitable for use in residential installations.

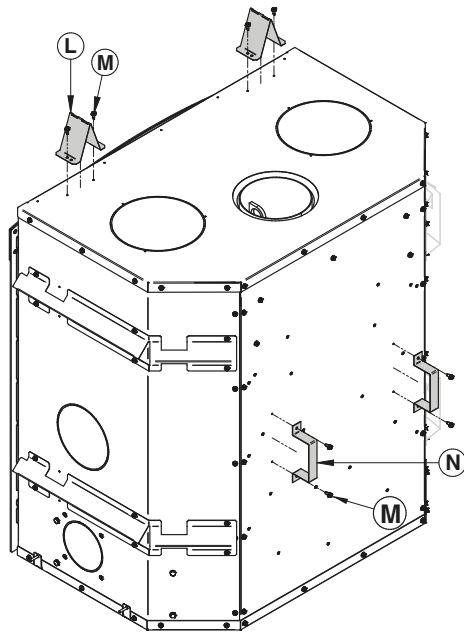
In Canada, the CSA B365 «Installation Code for Solid Fuel Burning Appliances and Equipment» and the CSA C22.1 «Canadian National Electrical Code» are to be followed in the absence of local code requirements. In the USA, the ANSI NFPA 211 «Standard for Chimneys, Fireplaces, Vents and Solid Fuel-Burning Appliances» and the ANSI NFPA 70 «National Electrical Code» are to be followed in the absence of local code requirements.

This fireplace is not approved for use with a so-called “positive flue connection” to the clay tile of a masonry chimney.

8. Fireplace Installation

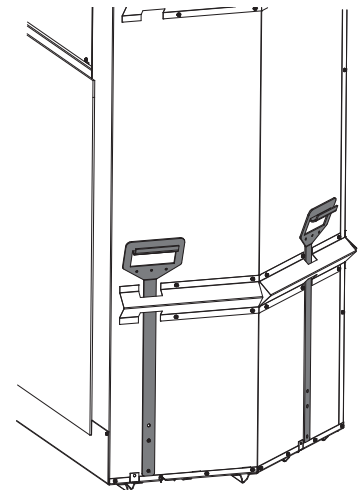
8.1 Standoff Installation

Before installing the fireplace, **it is mandatory to install the standoffs** on the top (**L**) and the back (**N**) of the fireplace. The standoffs can be found in the fireplace firebox and and the screws (**M**) to install them can be found in the fireplace manual.



8.2 Optional Carrying Handles

To facilitate the transport of the fireplace, handles sold as an option may be used. They are installed on each side of the fireplace. Wearing gloves is strongly recommended when moving the fireplace.



8.3 Location

The best location for the fireplace should consider the location of windows, doors, and circulation in the room. There must be enough space in front of the fireplace for the hearth extension and mantel and on the sides or back for the different heat distribution system, for the fresh air intake and for the chimney. Ideally, the chimney must be able to pass through the house without the need to cut floor joists or roof trusses.

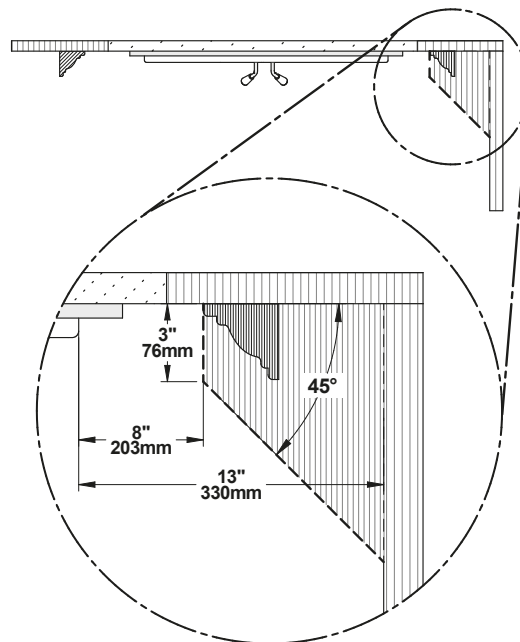
8.4 Clearances to Combustibles

The clearances shown in this section have been determined by test according to procedures set out in safety standards ULC S610 (Canada) and UL127 (U.S.A.). When the fireplace is installed so that its surfaces are at or beyond the minimum clearances specified, combustible surfaces will not overheat under normal and even abnormal operating conditions.

No part of the fireplace may be located closer to the combustible than the minimum clearance given.

A material is considered non-combustible when made entirely of steel, iron, bricks, tiles, concrete, slate, glass or a combination of these materials. Materials corresponding to ASTM E136 and UL 763 are considered to be non-combustible materials with the exception of gypsum, which will be considered a non-combustible material only if it is certified to withstand an ambient temperature of use of 250°F and more.

- Maximum mantle depth 3" (76 mm)
- Mantle minimum distance 8" (203 mm) (measured from the door opening)
- Side wall distance 13" (330 mm) (measured from the door opening)
- Minimum distance to the wall in front of the fireplace 48" (122 cm)
- Minimum ceiling height : 80" (2,03 m) measured from the base of the fireplace.

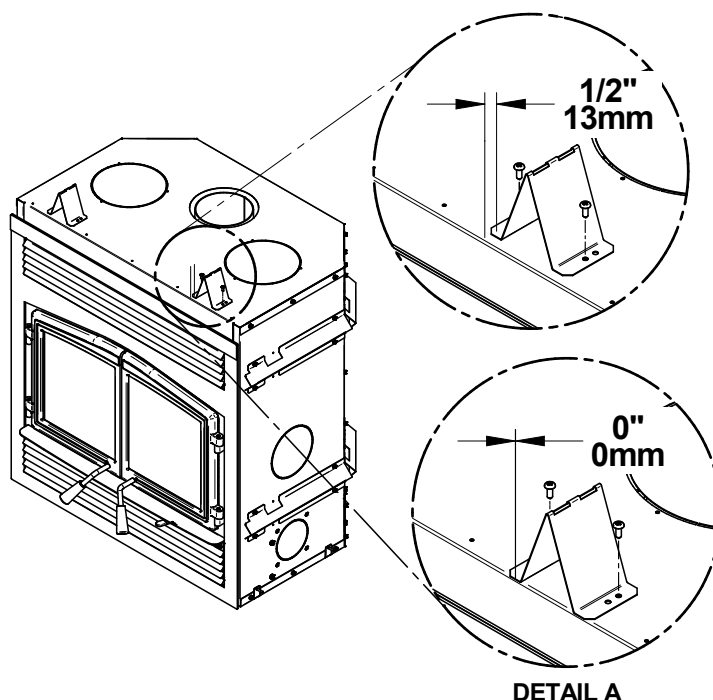


Fireplace enclosure :

- Back wall : 0"
- Sides : 0"
- Floor (underneath the fireplace) : 0"
- Chimney : 2" (50 mm)

8.5 Framing Construction

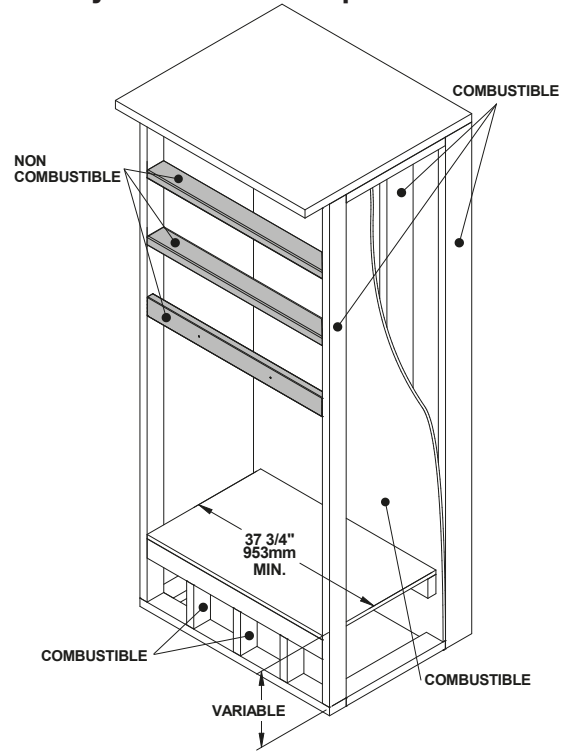
The frame, on the sides and back of the fireplace, must be made of 2"x 3" (5 cm x 8 cm) or larger. The front studs as well as headers on top of the fireplace must be of a depth no more than the depth of the top standoffs. The standoffs can be installed either flush with the fireplace or setback of 1/2" depending on the thickness of the finishing material used.



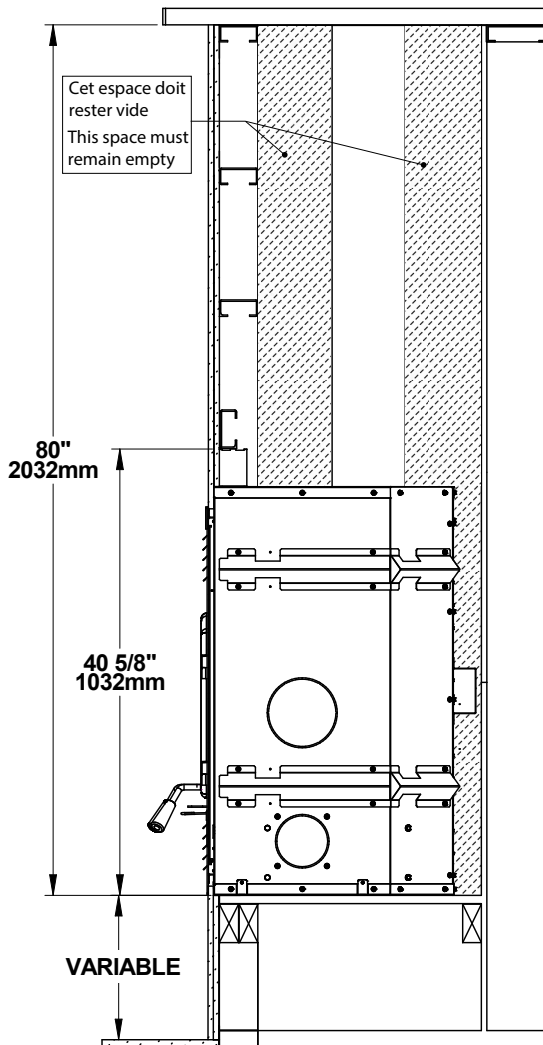
Do not use combustible materials for the frame directly above the fireplace. This area should remain empty to a height of 80" (2.03 m) measured from the base of the fireplace.

Build the fireplace frame using vertical studs placed on the sides of the fireplace, from the floor to the ceiling. The studs must be set back from the front edge of the fireplace by a space equivalent to the thickness of the finishing material, so that it is flush with the finish of the fireplace. Headers between studs should be installed as follows:

- The headers must be 2" x 3" (5 cm x 8 cm) or 2" x 4" (5 cm x 10 cm). Do not put wood or other material in the area above the fireplace.
- Install only the cripple studs needed to support the finishing material and mantle.



WARNING : DO NOT FILL THE REQUIRED EMPTY SPACE INSIDE THE ENCLOSURE WITH INSULATION OR ANY OTHER MATERIAL.



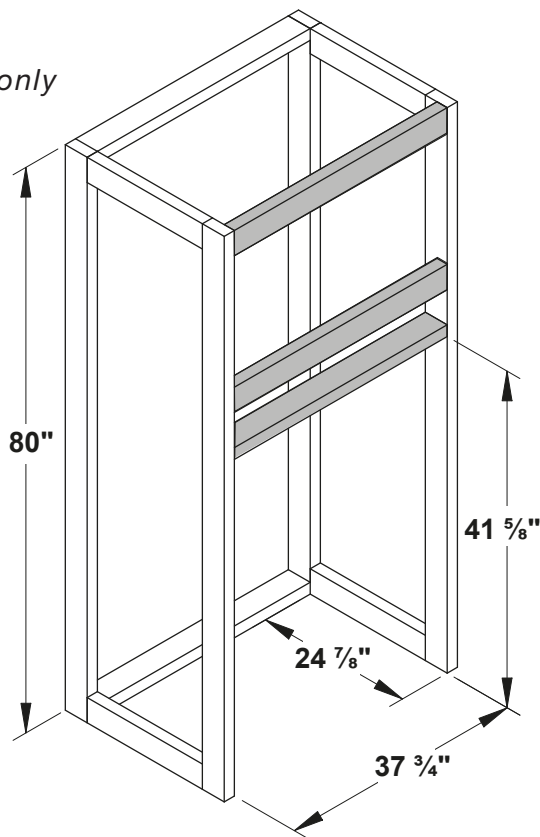
The fireplace must not be in contact with any insulation or loose filling material. Inside the chase, around the fireplace, insulation should be covered with drywall panels or any other finishing material except where non-combustible material is required.

8.5.1 Fireplace Framing

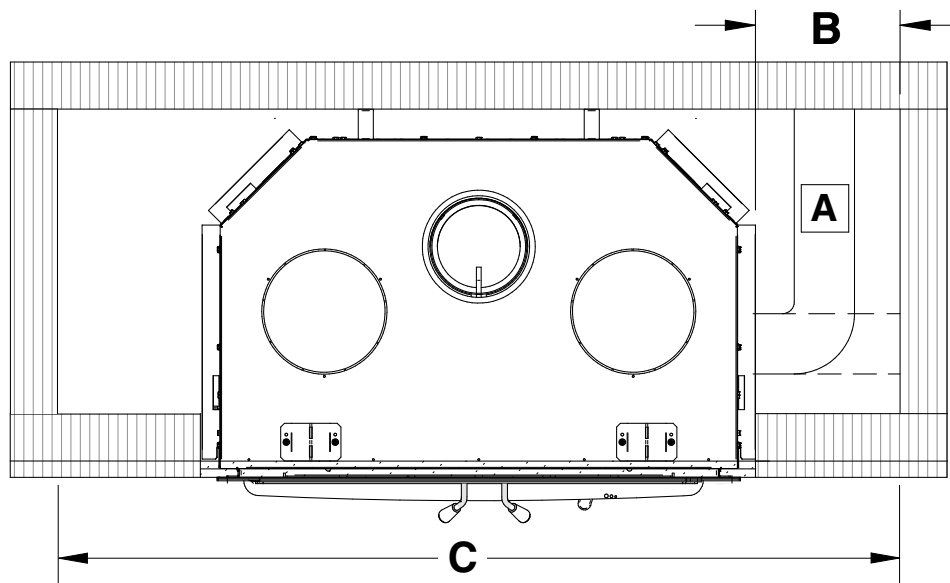
Framing dimensions should be used as a reference only

If a finishing material is installed inside the enclosure, its thickness must be added to the following measurements.

- Framing width 37 ¾" (960 mm)
- Framing height to the first header 41 ⅝" (1057 mm)
- Framing depth 24 ⅞" (632 mm)
- Framing total height 80" (2032 mm)



8.5.2 Framing with Fresh Air Intake¹⁴



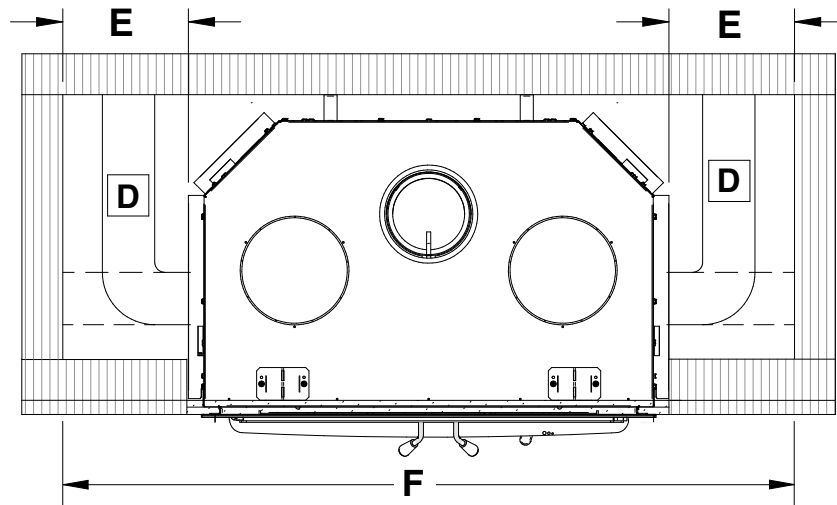
If a finishing material is installed inside the enclosure, its thickness must be added to the following measurements.

- A** : Fresh air intake duct¹⁵ (Fresh air intake can be installed on the right or underneath).
- B** : Distance between framing and side fireplace standoff 12" (305 mm)
- C** : Framing width (Installation with centered fireplace) 60 ¾" (1543 mm)

¹⁴ Framing dimensions are for reference only. These measurements are recommended to prevent the ducts from being inside the standoff or have too tight duct curves. Smaller dimensions can be used depending on the size and type of duct as well as the configuration of the installation.

¹⁵ HVAC duct, as per ULC S110 or UL 181, class 0 or class 1, must withstand temperatures up to 250°F.

8.5.3 Framing with forced air distribution kit¹⁶



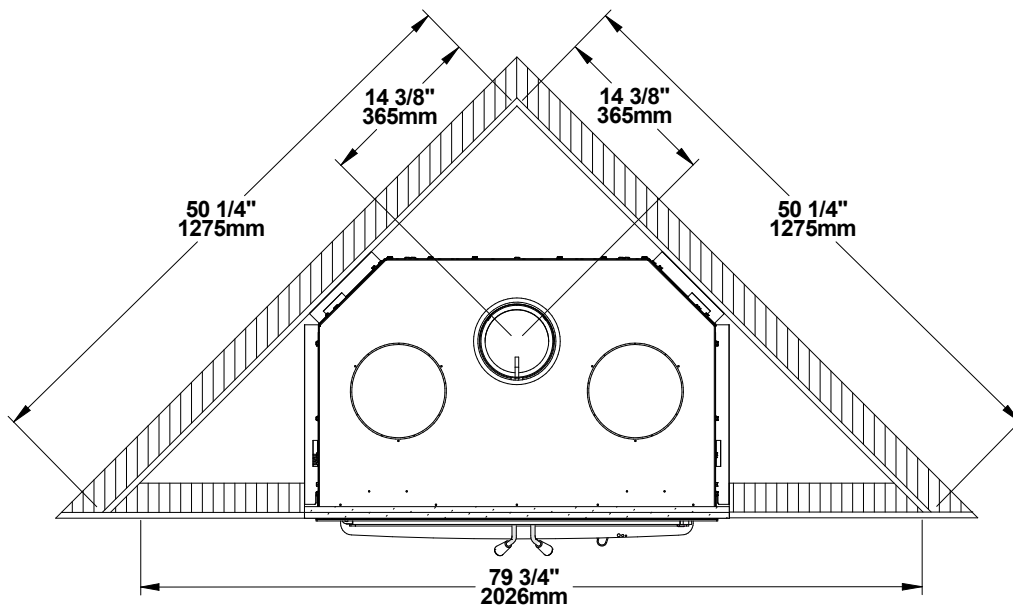
If a finishing material is installed inside the enclosure, its thickness must be added to the following measurements.

D : Forced air duct¹⁷ (Duct can be installed on the left [recommended] **or** on the right).

E : Distance between framing and side fireplace standoff 18" (457 mm)

F : Framing width (Installation with centered fireplace) 72 ¾" (1848 mm)

8.5.4 Framing with corner installation



Framing configuration should be used as a reference only.

If a finishing material is installed inside the enclosure, its thickness must be added to the following measurements.

These values are minimum measurements and may need to be increased to allow the installation of the fresh air intake, the forced air distribution or the type of finishing material used.

¹⁶ Framing dimensions are for reference only. These measurements are recommended to prevent the ducts from being inside the standoff or have too tight duct curves. Smaller dimensions can be used depending on the size and type of duct as well as the configuration of the installation.

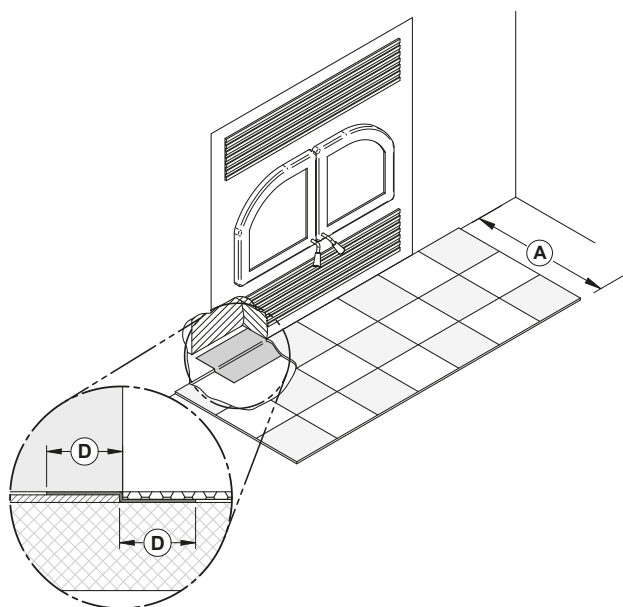
¹⁷ HVAC duct, as per ULC S110 or UL 181, class 0 or class 1, must withstand temperatures up to 250°F.

8.6 Hearth Extension Construction

This fireplace can be installed directly on the floor or on a raised base, combustible or not. The installation can be done according to one of the following options :

OPTION	INSTALLATION TYPE	R FACTOR REQUIRED	NON-COMBUSTIBLE FLOOR PROTECTION DEPTH
#1	On floor level	Yes (1.00)	16" (406 mm)
#2	Raised base of 4" or less	Yes (1.00)	16" (406 mm)
#3	Raised base of more than 4"	No	16" (406 mm)

8.6.1 Option #1 - Floor Level Installation



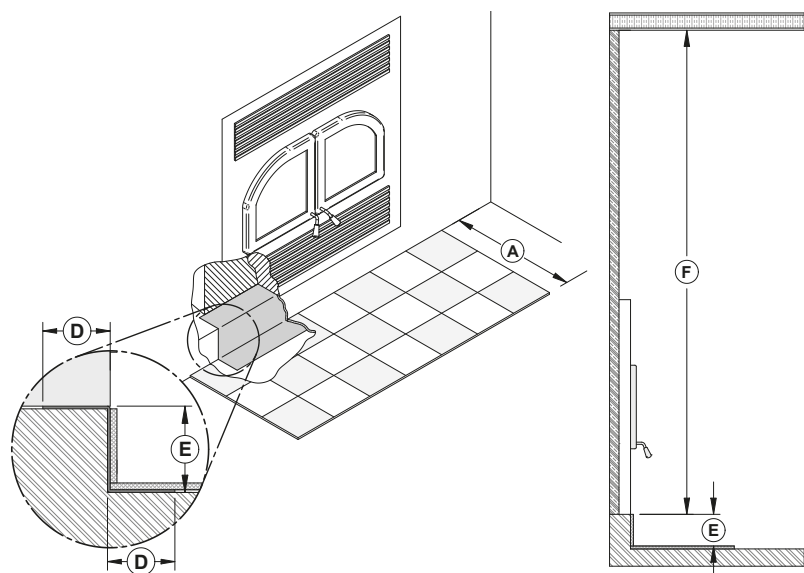
When the fireplace is installed directly on the floor, a non-combustible floor protection of at least 16" **(A)** with an R factor of 1.00 must be installed in front of the fireplace.

The joint between the floor protection and the fireplace must be protected over the entire width of the floor protection by a folded and continuous metal sheet **(D = min 2" [51 mm])** (not supplied).

A clearance of 80" (2.03 m) between the base of the fireplace and the ceiling must be respected.

The minimum floor height under the fireplace should match (or exceed) the height of non-combustible materials used for floor protection.

8.6.2 Option #2 - Raised Base Installation of 4" or Less

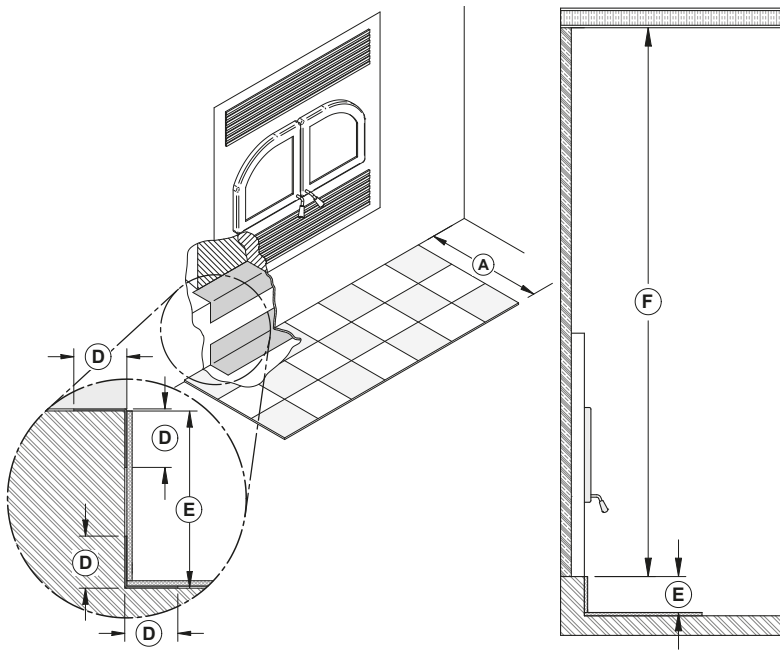


When the fireplace is installed on a raised base of 4" or less **(E)**, a non-combustible floor protection of at least 16" **(A)** with an R factor of 1.00 must be installed in front of the fireplace.

The joint between the floor protection and the fireplace must be protected over the entire width of the floor protection by a folded and continuous metal sheet **(D = min 2" [51 mm])** (not supplied). It is recommended to make the sheet metal in one piece.

*A clearance of 80" (2.03 m) **(F)** between the base of the fireplace and the ceiling must be respected.*

8.6.3 Option #3 - Raised Base Installation of More Than 4"



When the fireplace is installed on a raised base of more than 4" (E), a non-combustible floor protection of at least 16" (A) with no R factor must be installed in front of the fireplace.

The upper and lower angle, for the full width of the floor protection, must be protected by 2" horizontally and vertically by a folded and continuous metal sheet (D = 2" [51 mm]) (not supplied). The sheet metal does not have to cover the rest of the wall between the base of the fireplace and the floor. A clearance of 80" (2.03 m) (F) between the base of the fireplace and the ceiling must be respected.

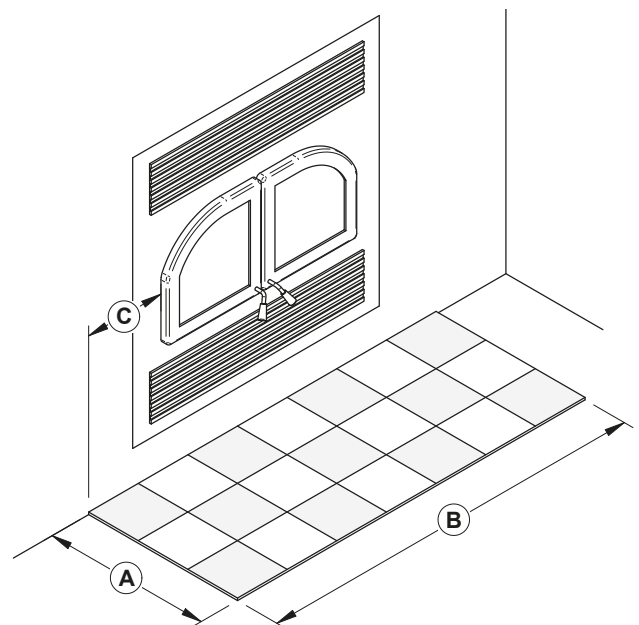
8.6.4 Floor Protection

OPTION	INSTALLATION TYPE	R FACTOR REQUIRED	A	B	C
#1	On floor level	Yes (1.00)	16" (406 mm)	41 1/2" (1054 mm)	8" (203 mm)
#2	Raised base of 4" or less	Yes (1.00)	16" (406 mm)	41 1/2" (1054 mm)	8" (203 mm)
#3	Raised base of more than 4"	No	16" (406 mm)	41 1/2" (1054 mm)	8" (203 mm)

Regardless of the installation type, there must be at least 8" (203 mm) on each side of the fireplace door opening (C).

Floor protection must be a continuous non-combustible surface such as ceramic, concrete board, brick or other equivalent material approved as floor protection. If the ceramic is used, it must be placed on a continuous non-combustible panel to prevent spills from being brought into contact with the floor through cracks or gaps in the ceramic slurry. Alternatives approved by the local building code may also be used.

Do not leave carpets under the floor protection.



8.6.5 R Factor

There are two ways to calculate the R-value of the floor protection. First, by adding the R-values of materials used, or by the conversion if the K factor and thickness of the floor protection are given.

To calculate the total R value from R values of the materials used, simply add the R-values of materials. If the result is equal to or greater than the R-value requirements, the combination is acceptable. R-values of some selected materials are shown below :

Table 2 : Thermal Characteristics of Common Floor Protection Materials¹⁸

MATERIAL	CONDUCTIVITY (K) PER INCH	RESISTANCE (R) PER INCH THICKNESS
Micore® 160	0.39	2.54
Micore® 300	0.49	2.06
Durock®	1.92	0.52
Hardibacker®	1.95	0.51
Hardibacker® 500	2.3	0.44
Wonderboard®	3.23	0.31
Cement mortar	5.00	0.2
Common brick	5.00	0.2
Face brick	9.00	0.11
Marble	14.3 – 20.00	0.07 – 0.05
Ceramic tile	12.5	0.008
Concrete	1.050	0.950
Mineral wool insulation	0.320	3.120
Limestone	6.5	0.153
Ceramic board (Fibremax)	0.450	2.2
Horizontal still air (1/8" [3 mm] thick)	0.135	0.920 ¹⁹

Example:

Required floor protection R of 1.00. Proposed materials: four inches of brick and one inch of Durock® board.

Four inches of brick ($R = 4 \times 0,2 = 0,8$) plus 1 inch of Durock® ($R = 1 \times 0.52 = 0.52$).

$$0.8 + 0.52 = 1.32.$$

This R value is larger than the required 1.00 and is therefore acceptable.

In the case of a known K and thickness of alternative materials to be used in combination, convert all K values to R by dividing the thickness of each material by its K value. Add R values of the proposed materials as shown in the previous example.

Common brick K value = 5

Thickness = 4"

R value = Thickness/K = 4/5 = 0.8

Durock K value = 1.92

Thickness = 1"

R value = Thickness/K = 1/1.92 = 0.52

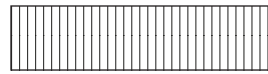
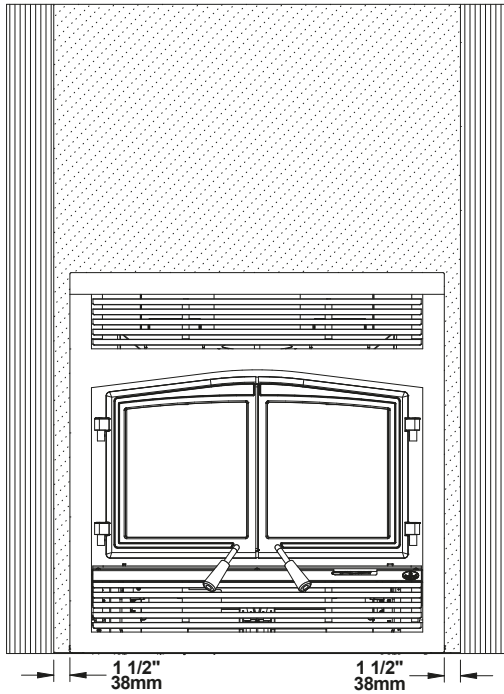
Total R value = .8 + 0.52 = 1.32

¹⁸ Information as reported by manufacturers and other resources

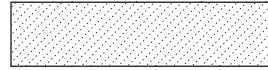
¹⁹ Horizontal still air can't be «stack» to accumulate R-values; each layer must be separated with another non-combustible material.

8.7 Facing

Non-combustible finishing materials such as brick or ceramic can be glued to the facade of the fireplace. Do not put a seal between the faceplate and the finishing material to facilitate the removal of the faceplate if necessary.



Combustibles materials allowed in this zone



Non combustible material only in this zone

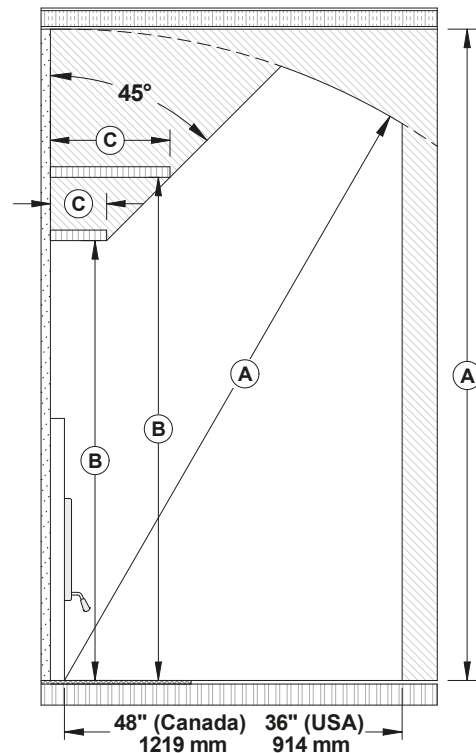
8.8 Combustible Shelf Installation

A combustible shelf with a depth of 6" (152 mm) **(C)** can be installed at least 58" (1,47 m) **(B)** from the base of the fireplace.

Different shelf sizes are listed in the following table.

POSITIONING AND DEPTH OF THE SHELF	
B	C
58" (1,47 m)	6" (152 mm)
60" (1,52 m)	8" (203 mm)
62" (1,58 m)	10" (254 mm)
64" (1,63 m)	12" (305 mm)

For a shelf dimension that does not appear in the table, add 52" (1,32 m) to the depth of the shelf to find the safe position of the shelf. The height **(A)** should always be 80" (2.03 m) from the base of the fireplace.

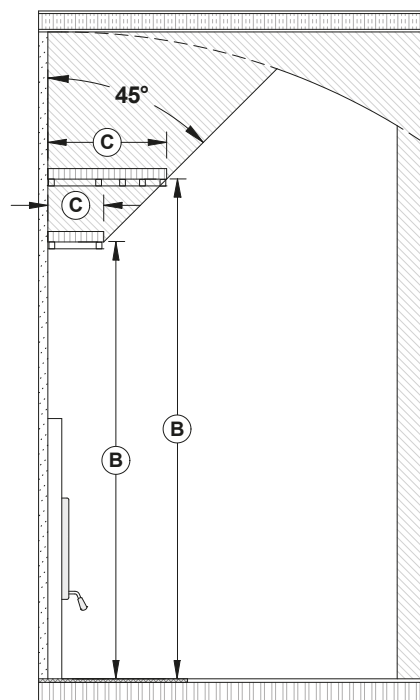


8.9 Heat Shield for Combustible Shelf

It is possible to reduce the minimum height required between the floor and a combustible shelf by installing an optional heat shield.

Different shelf sizes are listed in the following table.

POSITIONING AND DEPTH OF THE SHELF	
B	C
50" (1,27 m)	6" (152 mm)
52" (1,32 m)	8" (203 mm)
54" (1,37 m)	10" (254 mm)
56" (1,42 m)	12" (305 mm)



8.10 Non-combustible Shelf Installation

It is possible to install a non-combustible shelf of 6" to 12" above the fireplace. It must be installed at least 48" (1,22 m) from the base of the fireplace.

The shelf will be hot. Do not put combustible materials on the shelf.

9. The Venting System

The venting system, acts as the engine that drives the wood-heating system. Even the best fireplace will not function safely and efficiently as intended if it is not connected to a suitable chimney. The heat in the flue gases that pass from the fireplace into the chimney is not waste heat. This heat is what the chimney uses to make the draft that draws in combustion air, keeps smoke inside the fireplace and safely vents exhaust to outside. Heat in the flue gas can be seen as the fuel the chimney uses to make draft.

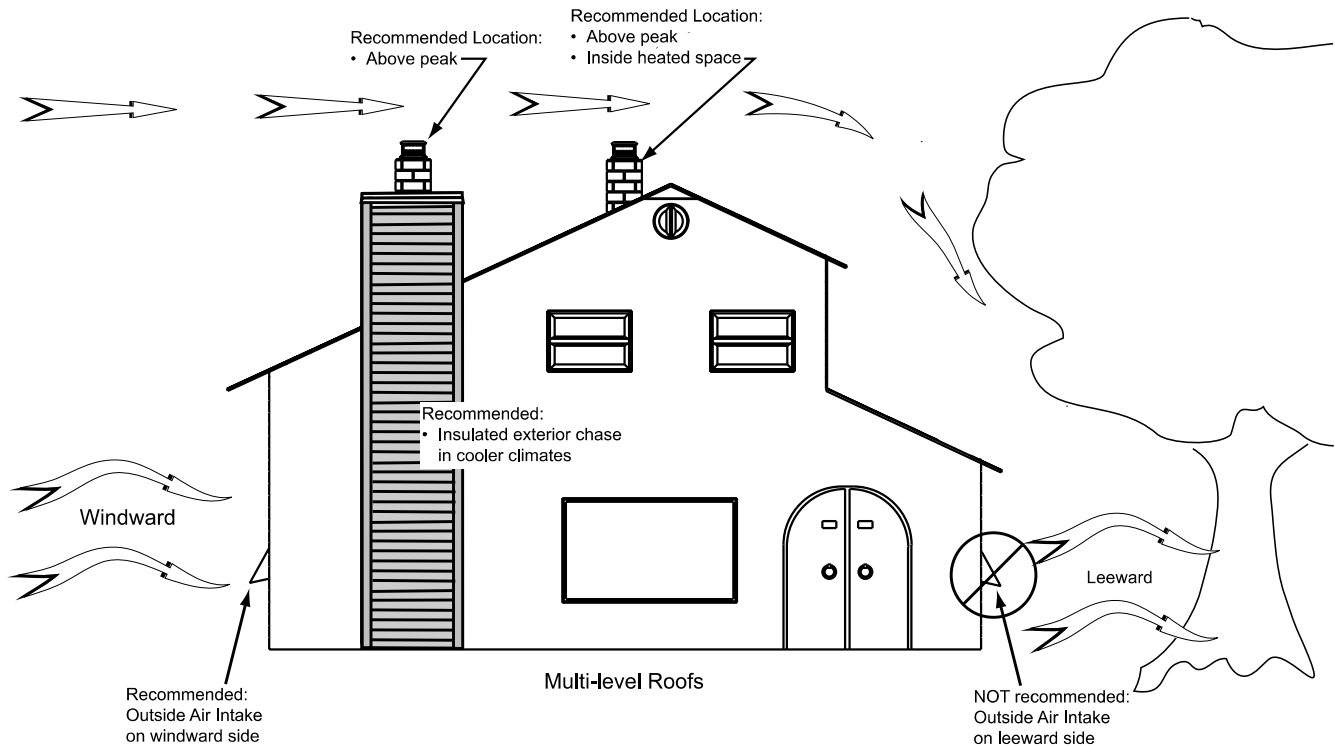
9.1 Location

The location of the chimney is crucial for the proper functioning of the appliance. The chimney should be installed within the house rather than up an outside wall and should rise straight up through the tallest part of the house. This installation benefits from being enclosed within the warm house environment, produce stronger draft, accumulate fewer creosote deposits and will be unaffected by cold temperatures or harsh winds.

Outside chimneys will lead to cold back drafting when there is no fire in the fireplace, slow kindling of new fires, and smoke roll-out when the door is open for loading.

9.2 Supply of Combustion Air

The safest and most reliable supply of combustion air for a fireplace is from the room in which it is installed. Room air is already preheated so it will not chill the fire, and its availability is not affected by wind pressures on the house. The only case in which the fireplace may not have adequate access to combustion air is if the operation of a powerful exhaust device (such as a kitchen range exhaust) causes the pressure in the house to become negative relative to outdoors.



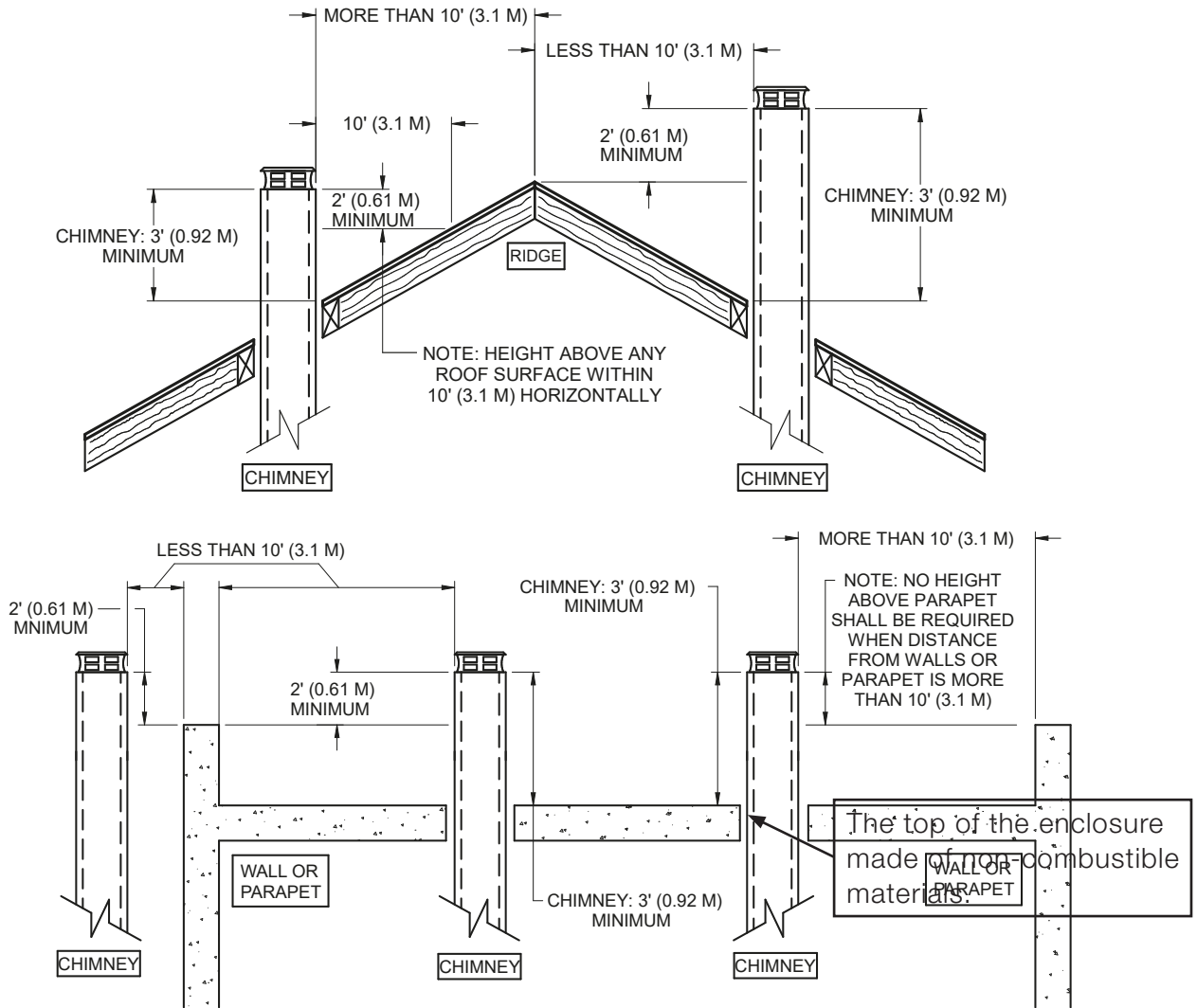
9.3 Chimney Installation

The chimney manufacturer's installation manual takes precedence over the following installation instructions. To ensure a safe installation, please refer to it. Some non-illustrated parts may be required.

9.3.1 General Advices

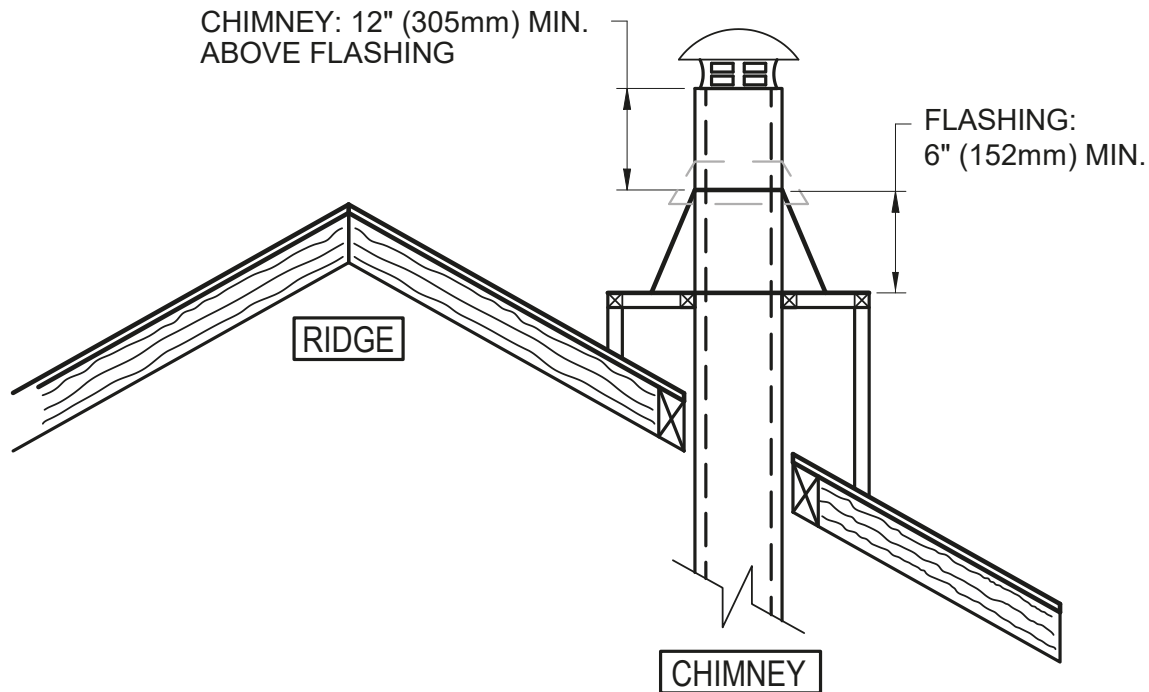
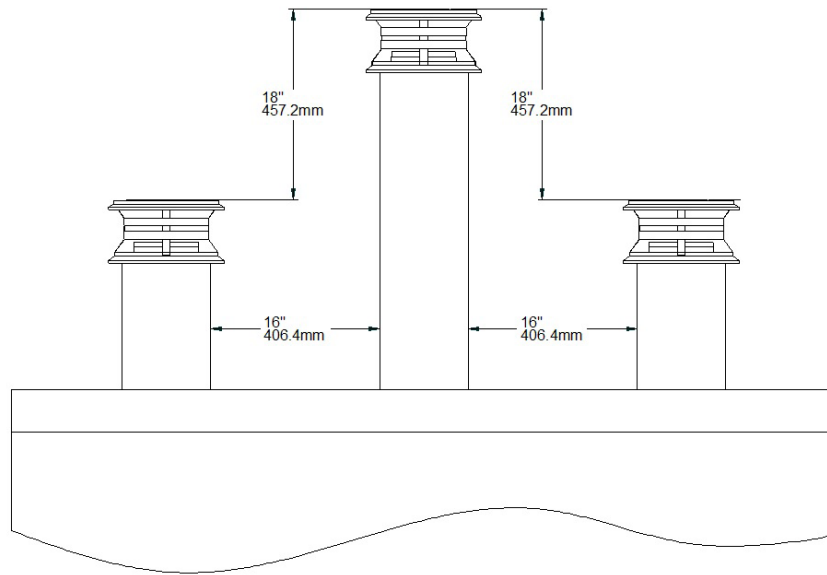
- This wood burning fireplace has optimum performance and efficiency when connected to a **chimney** with a **6" (150 mm) diameter flue**, only the chimneys listed in the [«Table 4 : Approved Chimneys»](#) can be used.
- To insure a good draft, it is recommended to have a length of 18" (457 mm) from the top of the unit to the first offset. However, starting using a 30° or 45° (Canada Only) elbow is also approved.
- **A CHIMNEY VENTING A FIREPLACE SHALL NOT VENT ANY OTHER APPLIANCE.**
- The **minimum height of the chimney** system is **15 feet (4.6 m)** from the base of the appliance to the chimney cap. If only the minimum height of the chimney system is installed, the operating conditions must be optimal (interior chimney, minimum height of 18" (457 mm) before any deviation, etc.).

- The **chimney** must have **at least one support**. The maximum chimney length that should be supported by the fireplace is 9 feet (2.75 m) for 2" Solid Pack chimney (5 cm) and 12 feet (3.7 m) for 1" Solid Pack chimney.
- The chimney must extend at least 3 ft. (92 cm) above its point of contact with the roof and at least 2 ft. (61 cm) higher than any wall, roof or building within 10 ft. (3.1 m) of it.
- **WARNING : IF THE CHIMNEY IS INSTALLED IN AN ENCLOSURE ABOVE THE ROOF, IT MUST EXCEED THE STORM COLLAR HEIGHT BY AT LEAST 12 INCHES (30 CM). THE TOP OF THE ENCLOSURE MUST BE MADE OF NON-COMBUSTIBLE MATERIALS.**



- Avoid deviations as much as possible, especially the sharp ones. Each deviation adds restriction to the system and can lead to draft problems.
- If the chimney extends higher than 5 ft. (1.5 m) above its point of contact with the roof, it must be secured using a roof brace.
- A rain cap must be installed on top of the chimney.
- A clearance of 2" (50 mm) between the chimney and any combustible material is required. This space must remain free, without insulation or other combustible material. The parts of the chimney that pass into inhabited spaces must be enclosed in an enclosure.

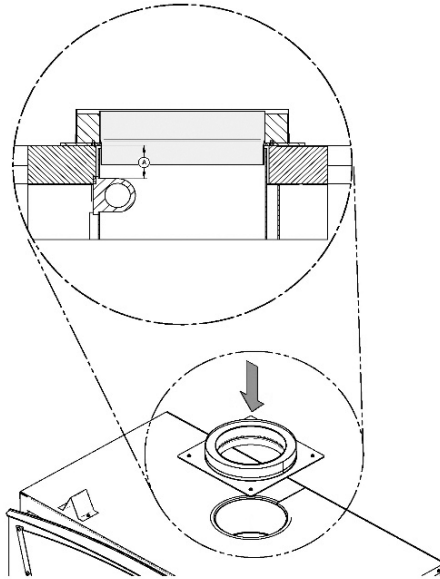
- For installations where more than one chimney is located in the same non-chase or within the same area, we suggest that their terminations be separated by at least 16» (410 mm) horizontally, and 18» (460 mm) vertically. This separation is to prevent smoke migrating from one chimney to another.



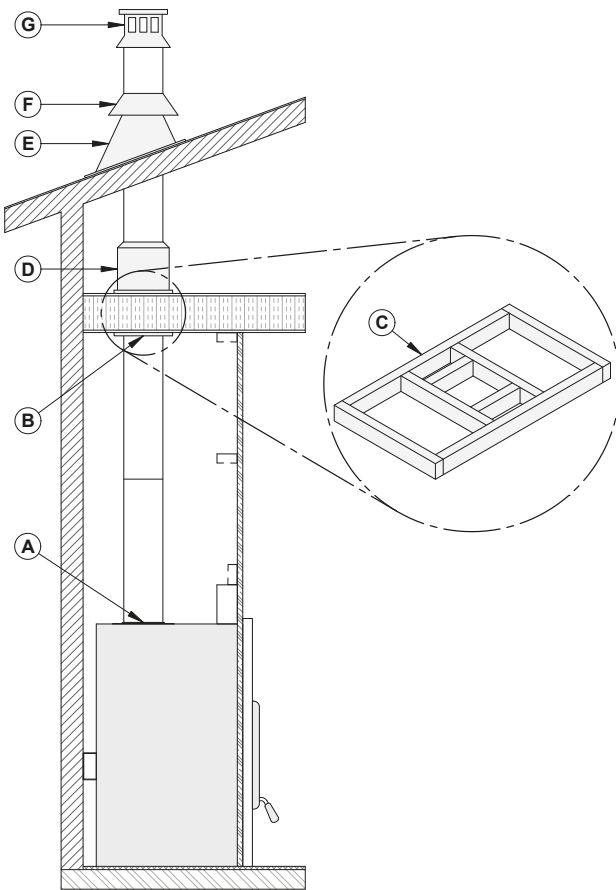
Note: The chimney chase on the roof must be the same size as the flashing.

- **WARNING:** IF THE CHIMNEY IS INSTALLED IN AN ENCLOSURE ABOVE THE ROOF, IT MUST EXCEED THE TOP OF THE FLASHING CONE BY AT LEAST 12 INCHES (30 CM). THE FLASHING MUST HAVE A MINIMUM HEIGHT OF 6 INCHES (15.25CM). THE TOP OF THE ENCLOSURE MUST BE MADE OF NON-COMBUSTIBLE MATERIALS.

- Cut and frame square holes in all floors, ceilings, and roof that the chimney will go through to provide a 2" (50 mm) minimum clearance between the chimney and any combustible materials. Do not fill this 2" space with insulation or any other combustible material.
- In all cases, the chimney must start with a 6" diameter anchor plate attached to the fireplace.
- If the male anchor plate nozzle exceeds 2" (50 mm) in length **(A)**, it must be cut above the lifting hooks welded inside the flue outlet so that it is sitting perfectly on the top of the fireplace.



9.3.2 Ceiling Supported Installation



A : Anchor plate

B: Ceiling support

C: Framing opening

D: Attic insulation shield

E: Roof flashing

F: Storm collar

G: Chimney cap

ENGLISH

1. Cut and frame square openings (**C**) in the ceiling, floor and roof where the chimney will pass. A 2" clearance must be maintained between the chimney and any combustible materials. The 2" space must remain empty, without insulation or any other combustible material. The size of the floor and ceiling holes must be in accordance with the chimney manufacturer's instructions.
2. From underneath the ceiling, install a ceiling support (**B**) in each floor where the chimney will pass. In the attic, install an attic radiation shield from above (**D**).
3. Install an anchor plate (**A**) and a first chimney section on the fireplace. Install the number of chimney sections needed, making sure to lock each section in place.
4. When the desired height of the chimney is reached, install a roof support (not shown).
5. Put the roof flashing (**E**) in place and seal the joint between the roof and the flashing with roof sealant. For sloping roofs, place the flashing under the upper shingles and on top of the lower shingles. Nail the flashing to the roof, using roofing nails.

When a ventilated roof flashing is installed, precautions are to be taken not to caulk or seal the ventilating openings.

6. Place the storm collar (**F**) on the roof flashing and tighten it with the bolt. Seal the joint between the storm collar and the chimney, using silicone sealant.
7. Install the chimney cap (**G**).

9.3.3 Offset Installation

1. Follow the instructions for a ceiling supported installation until the first elbow.
2. Install and turn the elbow in the right direction. Attach to the chimney using three ½" (12 mm) metal screws.
3. Install the appropriate number of chimney sections to obtain the necessary deviation. Secure the chimney sections together with three ½" (12 mm) screws. If the offset section has two or more chimney sections, a bracket must be installed. If the chimney go through a wall, install a wall thimble.
4. Install another elbow to bring the chimney back in a vertical position.
5. Continue the installation following the instructions of the ceiling supported installation.

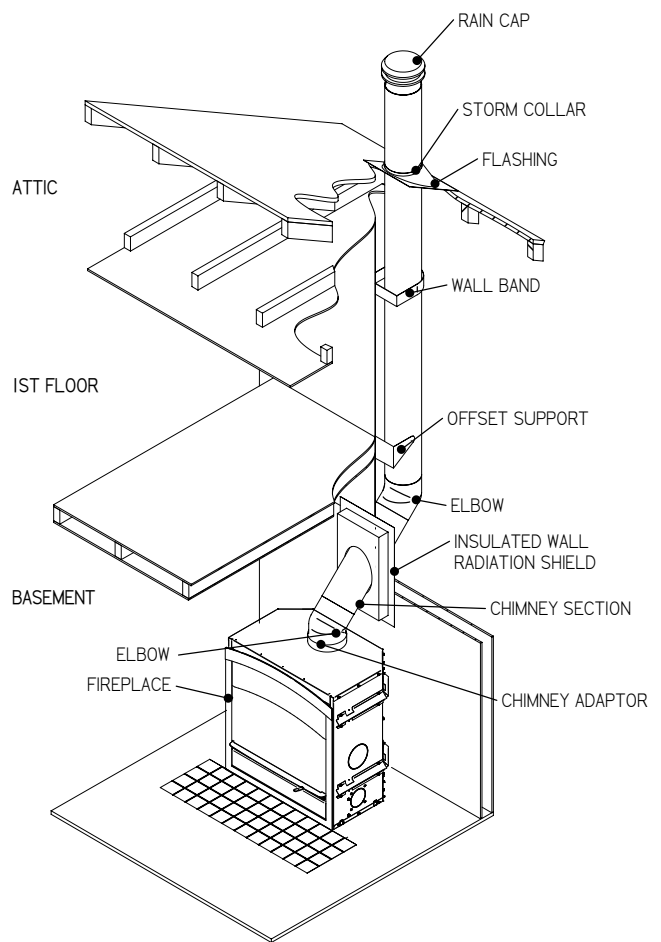


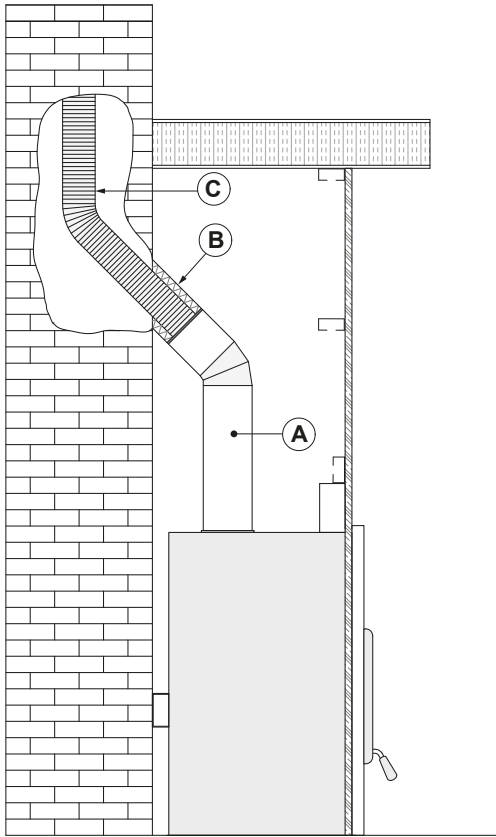
Table 3 : Minimum system height when using elbows

Chimney model	See Table 4
Vertical Installation	15 ft (4,6 m)
Two (2) elbows	15 ft (4,6 m)
Four (4) elbows	17 ft (5,2 m)

9.3.4 Masonry Chimney Installation

The masonry chimney must meet the minimum requirements of the local building code or equivalent for a safe installation. Contact a building inspector to learn about the requirements in the area.

Before starting the installation, the masonry chimney should be inspected for cracks, crumbling mortar, creosote layers, obstructions or other signs of deterioration. If signs of deterioration are noted, the chimney should be repaired and cleaned before installation.



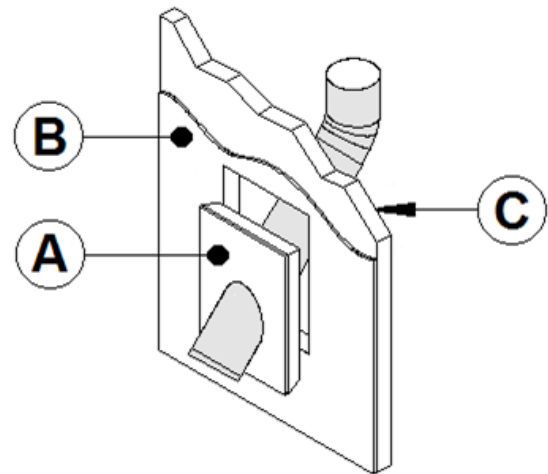
1. Position the fireplace in its location. Temporarily install the elbow or chimney section **(A)** on the top of the fireplace and, using a level, mark with an oval the location where the flue liner will enter the masonry chimney.
2. Mark where the flue will pass through the masonry chimney. Drill a hole in the masonry chimney to insert an insulated liner adapter **(B)**.
3. Lower the liner **(C)** into the chimney to the level of the hole.
4. Slide an insulated 45° or 30° liner adapter and connect it to the liner.
5. Seal the opening around the liner with high temperature refractory cement.
6. Then, follow the chimney manufacturer's instructions to connect the extended liner section to the special chimney connector.

The liner must extend at least 12" (30 cm) above the masonry chimney.

9.4 Angled Wall Pass-Thru Installation

When passing through a combustible wall with the chimney at a 30° or 45° angle (Canada only), an angled wall pass-thru must be installed. Follow the chimney manufacturer's installation instructions.

In cold climate locations, it is recommended to use the insulated wall pass-thru to maintain the home's thermal barrier.



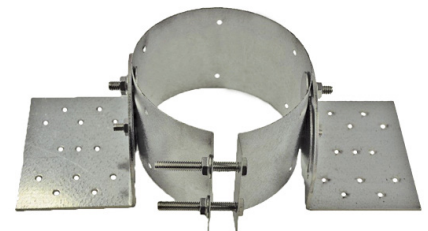
A	Wall pass-thru
B	Interior wall
C	Exterior wall

9.5 Chimney Support Installation

9.5.1 Roof Support

The universal roof support can be used on:

- a roof to support the chimney;
- a floor, ceiling, or roof over an offset to support the chimney or;
- as additional support.



Always follow the manufacturer's instructions for the maximum chimney height that can be supported by the support.

9.5.2 Offset Support

This support is used above a chimney offset. When the offset of the chimney pass through a wall, this support can be installed on the wall to support the chimney.



9.6 Approved Chimneys

Table 4 : Approved Chimneys

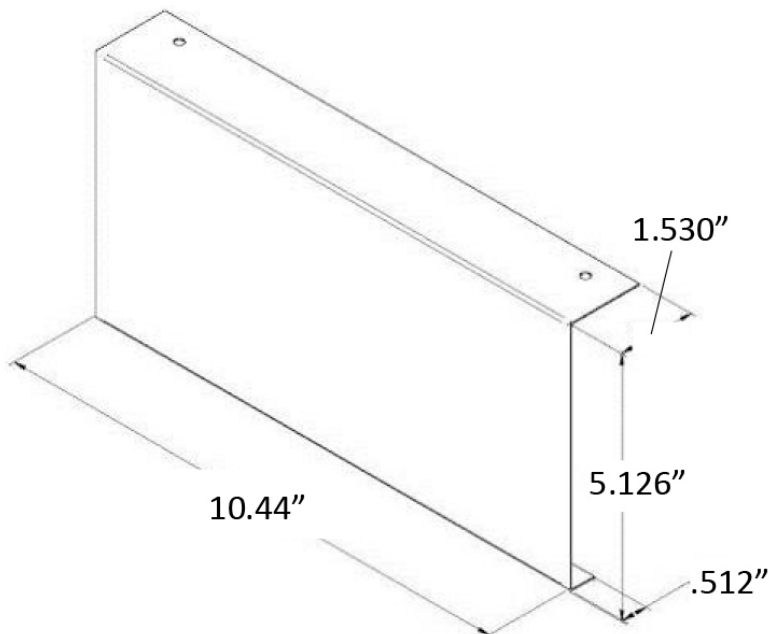
CHIMNEY MANUFACTURER	MODEL	TYPE	DIAMETER
Olympia Chimney SBI Division Venting	Ventis	1" Solid Pack	6" (15 cm)
SBI Division Venting	Nexvent	1" Solid Pack	6" (15 cm)
Olympia Chimney	Champion Chimney System	1" Solid Pack	6" (15 cm)
Rockford Chimney Supply	Rock-Vent	1" Solid Pack	6" (15 cm)
Selkirk	CF Sentinel (CF)	2" Solid Pack	6" (15 cm)
Selkirk	Super Pro 2100 (ALT)	2" Solid Pack	6" (15 cm)
Selkirk	Super Vent 2100 (JM)	2" Solid Pack	6" (15 cm)
Security Chimney	S-2100	2" Solid Pack	6" (15 cm)
DuraVent	Dura Tech	1" Solid Pack	6" (15 cm)
DuraVent	Dura Tech Canada DTC	1" Solid Pack	6" (15 cm)
DuraVent	Dura Tech Premium	2" Solid Pack	6" (15 cm)
DuraVent	Dura Plus	AC Triple Wall	6" (15 cm)
Metal Fab	Temp Guard	1" Solid Pack	6" (15 cm)
American Metal	HSS	AC Triple Wall	6" (15 cm)
American Metal	HS	AC Triple Wall	6" (15 cm)

Table 5 : LIST OF MANDATORY COMPONENTS

CHIMNEY MANUFACTURER	MANDATORY COMPONENTS	TYPE/MODEL
Olympia Chimney / SBI Venting Division	<ul style="list-style-type: none"> Ventilated roof flashing. 	1" Solid Pack : Ventis, Nexvent, Champion Chimney System, Rock-Vent
Security Chimney	<ul style="list-style-type: none"> Requires insulated attic radiation shield unless chimney is enclosed at the attic level. 	2" Solid Pack : S-2100
DuraVent	<ul style="list-style-type: none"> Ventilated roof flashing. 	1" Solid Pack: Dura Tech, Dura Tech Canada DTC 2" Solid Pack: Dura Tech Premium
American Metal	<ul style="list-style-type: none"> Chimney cannot be enclosed at the attic level. 	AC Triple wall : HS AC Triple wall : HSS

9.6.1 Rafter protection

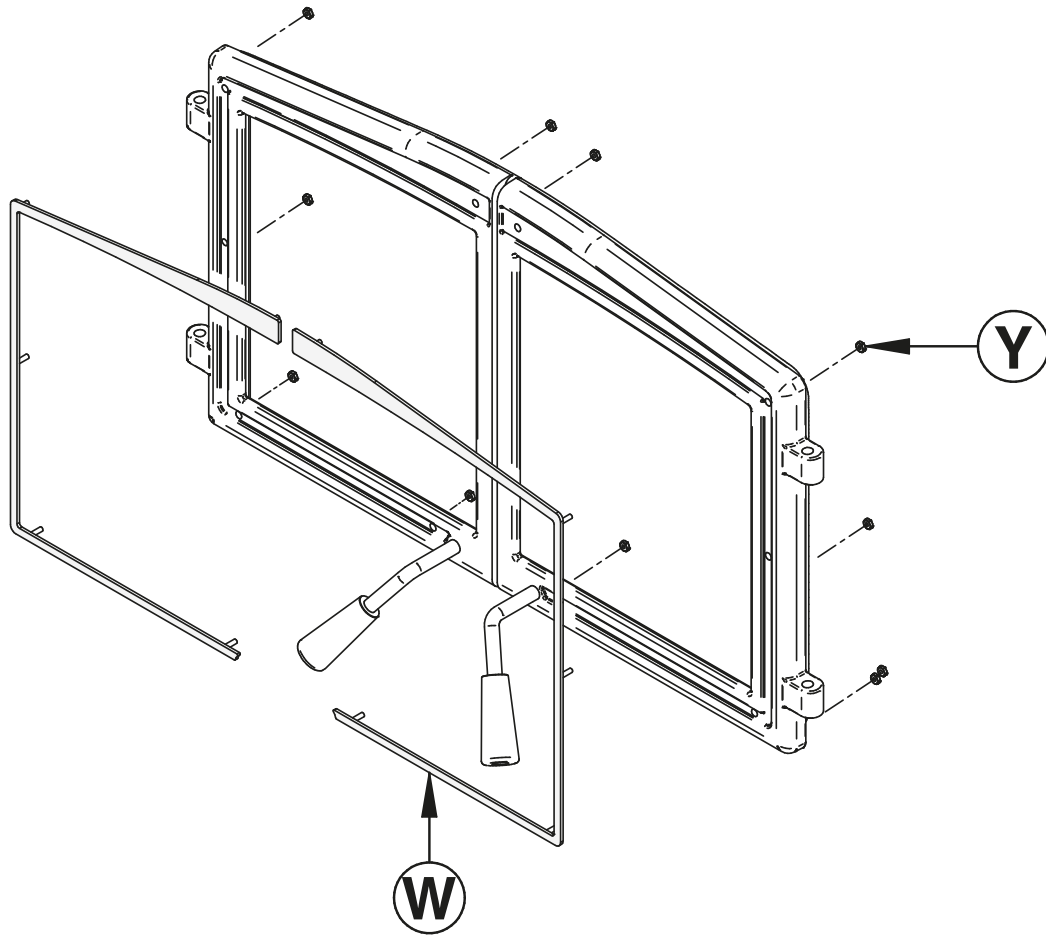
Rafter protectors, at the roof level, must be installed with this unit, if the chimney is enclosed at the attic level. Rafter protectors must be made of 22 ga or more galvanized steel and must have at least the dimension presented on the following diagram:



APPENDIX 1: DOOR OVERLAY INSTALLATION

Position the overlays (**W**) on the door frames and secure using bolts (**Y**). To facilitate the installation, do not tighten the nuts until they are all installed.

Note: It is not necessary to remove the glass or any other component to install the overlay.



APPENDIX 2: FACEPLATE INSTALLATION

A faceplate must be installed on this fireplace. Two choices of faceplate are offered. See the faceplate installation manual for more details.

ENGLISH

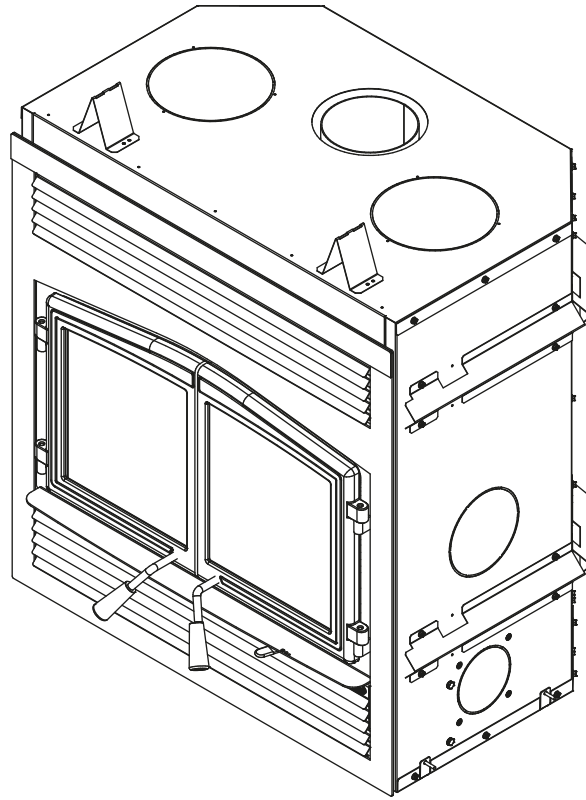


Figure 10: Traditional style faceplate

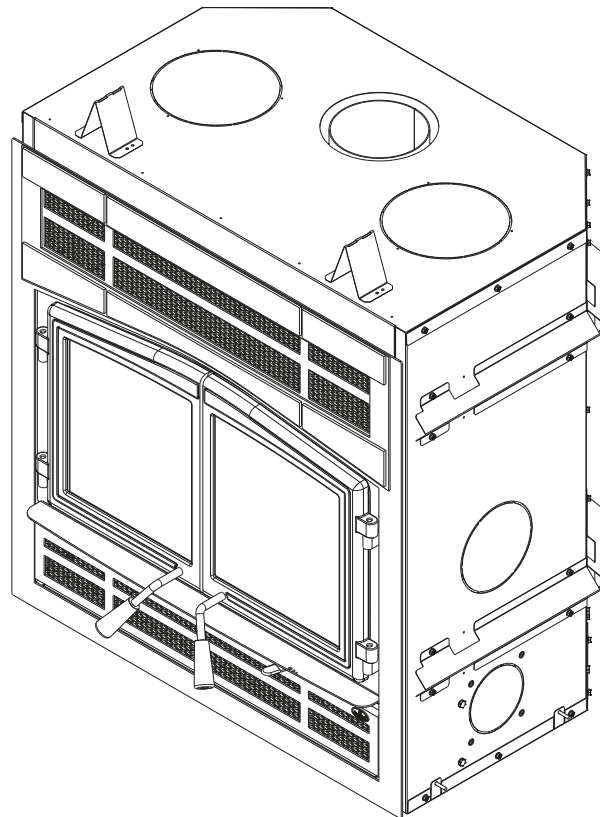
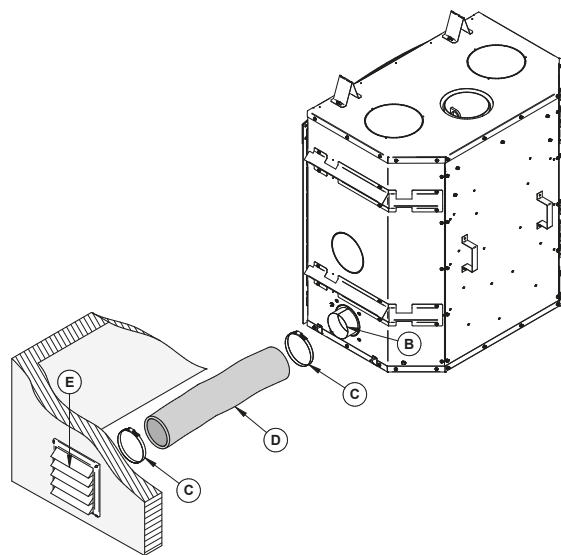


Figure 11: Prairie style faceplate

APPENDIX 3: OPTIONAL FRESH AIR INTAKE INSTALLATION

Follow the instructions below for connecting the fireplace to a fresh air intake:

- The insulated flexible pipe **(D)** should be of sufficient length (at least 10') and of a configuration to prevent condensation.
- The outside wall register **(E)** must not be installed:
 - More than 50% of the total height of the chimney;
 - At more than 10' (3 m) above the base of the fireplace;
 - More than 3' (0.9 m) below the base of the fireplace.
- The fresh air must come from outside the house. The air intake should not take air in the attic, basement or garage.
- The duct and the air intake can be installed above or below the floor level.
- The air intake should be installed high enough not to be obstructed by snow. It should be protected from the wind, away from automobile exhaust, a gas meter or other air inlets or outlets.



ENGLISH

The following items are included with the fireplace:

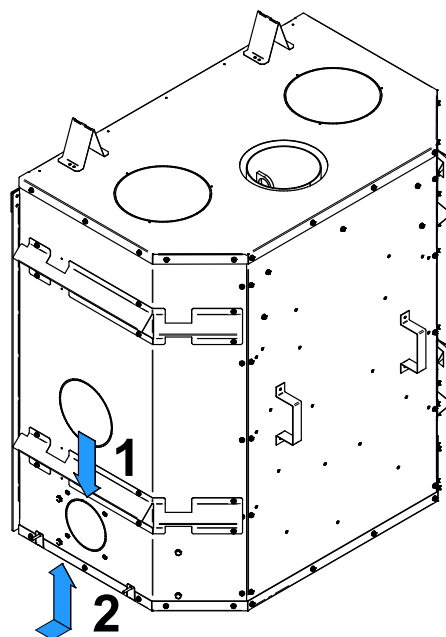
- One (1) 4" (76 mm) adapter **(B)**;
- One (1) air intake plate;
- Four (4) screws.

The following items are not included:

- The outside wall register **(E)**;
- The two (2) adjustable collars **(C)**;
- Insulated duct length 4" **(D)**. (Duct must be HVAC type and must comply with ULC S110 or UL 181, Class 0 or Class 1 and must withstand temperatures up to 250° F).

Note: Only remove the knockout that will be used to connect the fresh air intake assembly.

The fresh air intake can be installed in two different locations on the fireplace. On the right side **(1)** of the fireplace (the most common) or underneath the fireplace **(2)**.



Installation



It is strongly recommended to wear gloves to complete the installation.

1. To use the air intake on the right side, remove the knockout by cutting the micro-joints. Cut and remove the insulation and the other knockout inside the fireplace **(1)**. To use the opening under the fireplace, only cut the knockout.
2. Install the adapter included in the fireplace **(2)** and align the notch of the adapter **(T)** with the one on the fireplace. Turn the adapter clockwise.

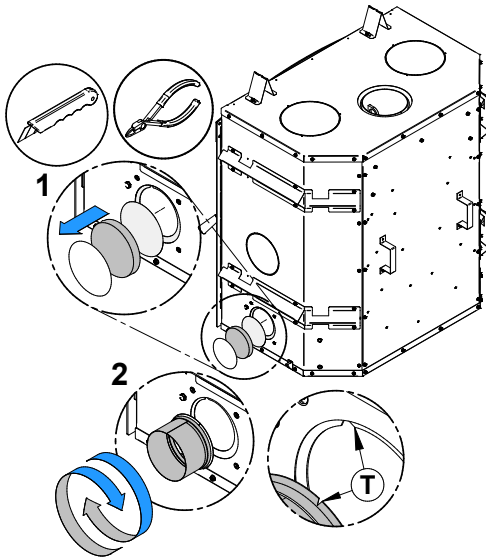


Figure 12: Fresh air intake on the right side

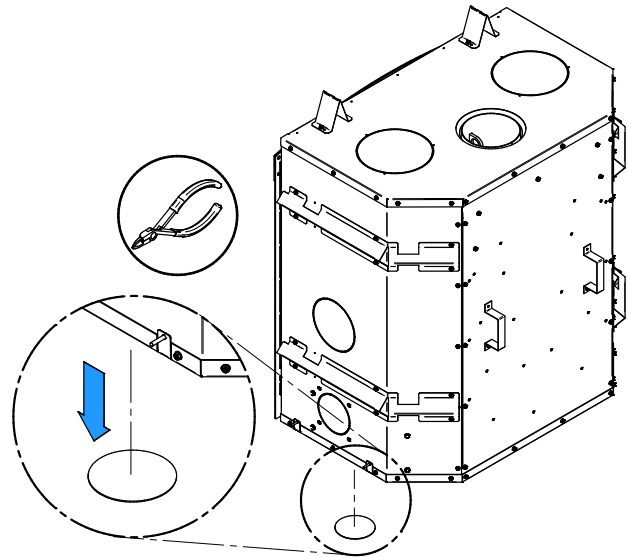
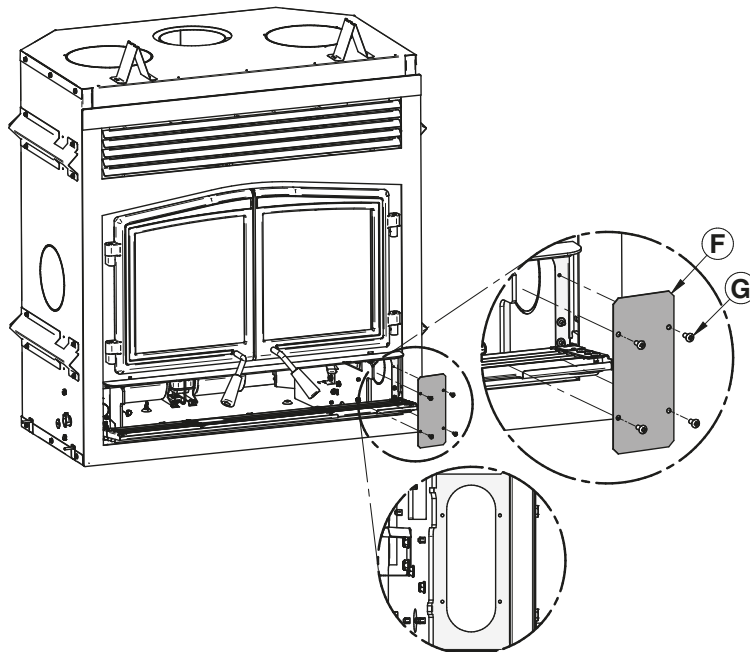


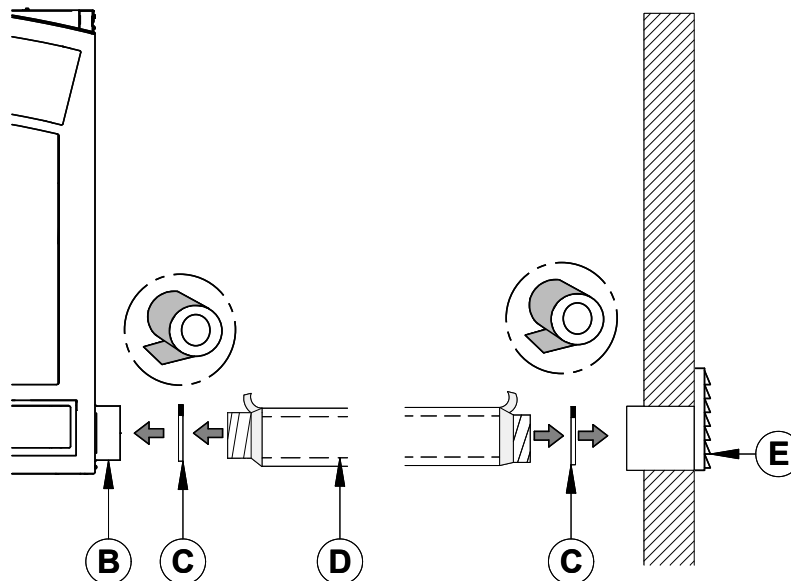
Figure 13: Fresh air intake underneath

3. Lower the bottom louver of the faceplate. Install the plate **(F)** supplied with the fireplace onto the front opening of the air control box. Using a screwdriver, secure with 4 screws **(G)** found in the user manual. *Installing the plate will make the air intake housing airtight and prevent cold air from entering the fireplace when not in use.*



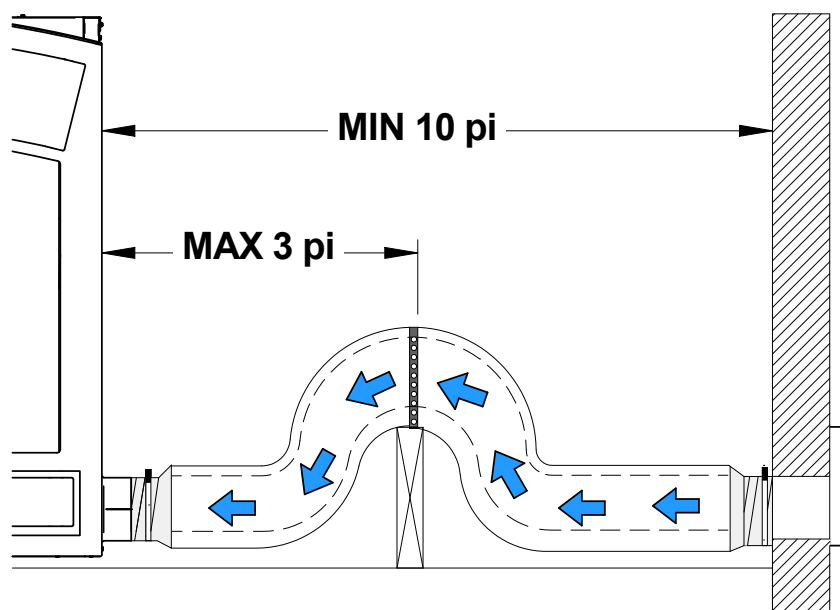
- Install the flexible duct **(D)** on the fresh-air inlet adapter **(B)** using one hose clamp **(C)**. Fix the other end to the outer wall register **(E)** using the second hose clamp **(C)**. The outer wall register **(E)** must be installed outside the house.

To properly install the flexible duct, gently remove the insulation and plastic wrap to expose the duct. Fix the duct using clamps. Stick aluminum tape around the joint between the duct and adapter to make the connection airtight. Carefully replace the insulation and plastic wrap on the duct. Secure the plastic with aluminum tape.



- To complete the installation, make a hole of $\frac{1}{4}$ " to $\frac{1}{2}$ " (6 mm to 13 mm) bigger than the duct diameter on the outside wall of the house at the chosen location. From outside, place the outside wall register in the hole (open side down) and fasten the register to the wall, with screws.

Use the required length for the installation while respecting the maximum length of 30' (9 m). To avoid condensation, it is recommended to use an insulated duct long enough and containing a «P-Trap» loop. This configuration can be done inside the chase, but must at all times maintain clearances to combustibles.



It is strongly recommended to install a mechanical shutter that closes the outside air inlet when the fireplace is not in use.

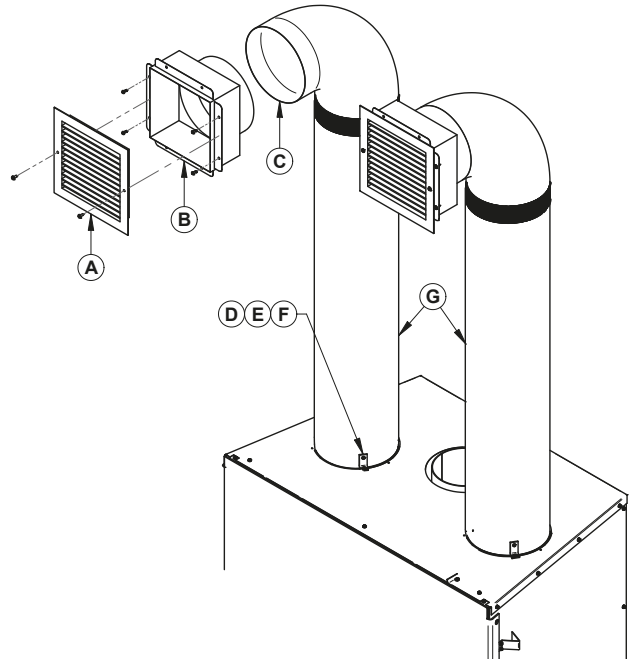
APPENDIX 4: OPTIONAL TRADITIONAL GRAVITY HOT AIR DISTRIBUTION KIT INSTALLATION

The kit includes:

- 2 hot air outlets (grilles **(A)** and frames **(B)**);
- 2 90° elbows **(C)**;
- 6 steel brackets **(D)** with fastening screws **(E)** and self-tapping screws **(F)**

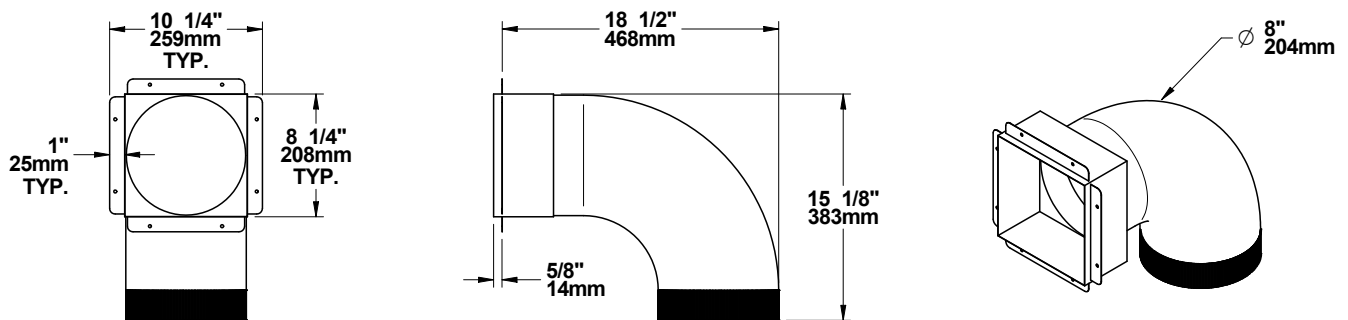
Parts not included in the kit:

- 8" rigid ducting **(G)**, 26 ga, galvanized steel.

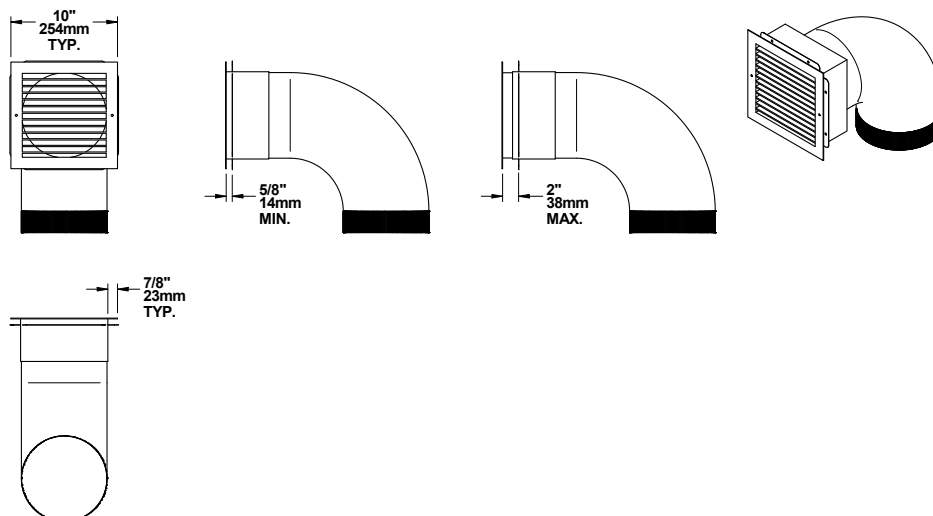


ENGLISH

Dimensions of hot air outlet frame with elbow



Dimensions of hot air outlet decorative grille with elbow

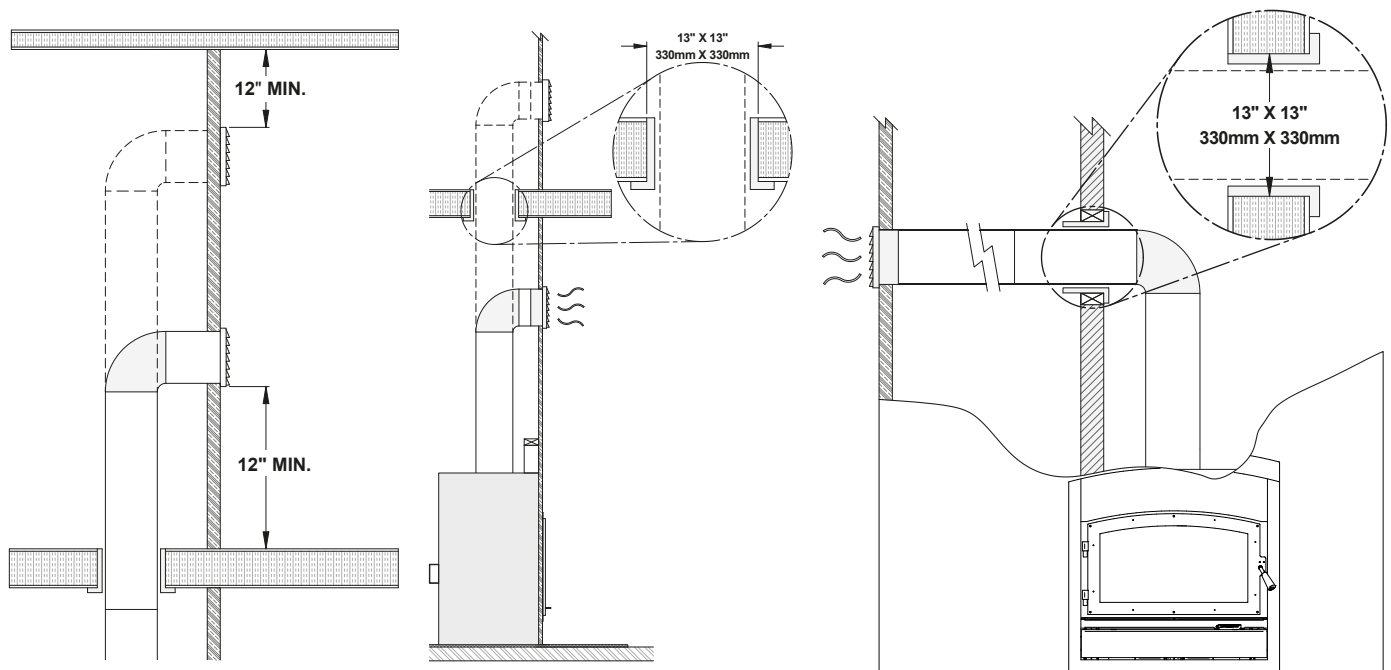


Installation rules and advice

- The minimum height of the hot air duct is 68" (1.7 m). It must be measured from the base of the fireplace to the top of the hot air outlets.
- Do not connect the hot air ducts to a central heating system. The malfunction of the heating system would overheat the fireplace.
- Do not use insulated flexible ducts as they may overheat.
- Do not use «T» fittings or anything other than those listed below.
- All ducts must be placed vertically or horizontally. **Never route the ducting downwards.**
- The flaps of the hot air outlet grilles must point down to prevent overheating of the adjacent ceilings.
- Always install both hot air outlet grilles when the gravity air distribution kit is installed.
- The hot air outlets can be installed in the same room as the fireplace, or both can be installed in adjacent rooms or upstairs. If the outlets are installed at different heights, the higher outlet will draw more heat.
- When forced air kit is installed in conjunction with a gravity kit, the forced air device will draw some of the air from the gravity kit ducting, therefore reducing its efficiency.

Clearances

- Maximum length of pipes, including elbows: 10' (3 m)
- The maximum number of elbows allowed per duct is two.
- There shall be a clearance of at least 12" (305 mm) between the hot air outlet frame and a ceiling, side wall or mantle made of flammable material.
- When the duct passes through a wall or floor made of flammable material, a firestop radiation shield (same as the one used for a class A chimney) must be installed in the opening of the wall or floor. There must be a clearance of at least 2" (50 mm) between the ducts and the firestop.

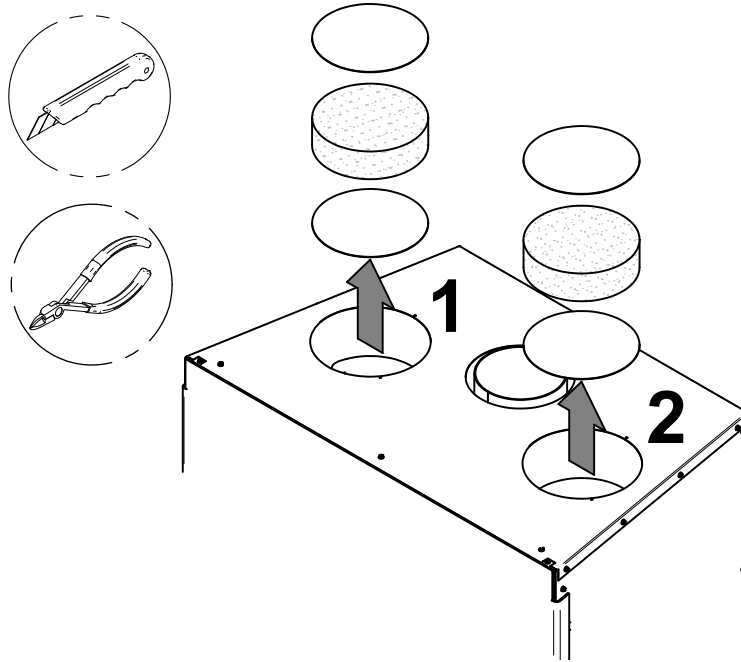


Installation

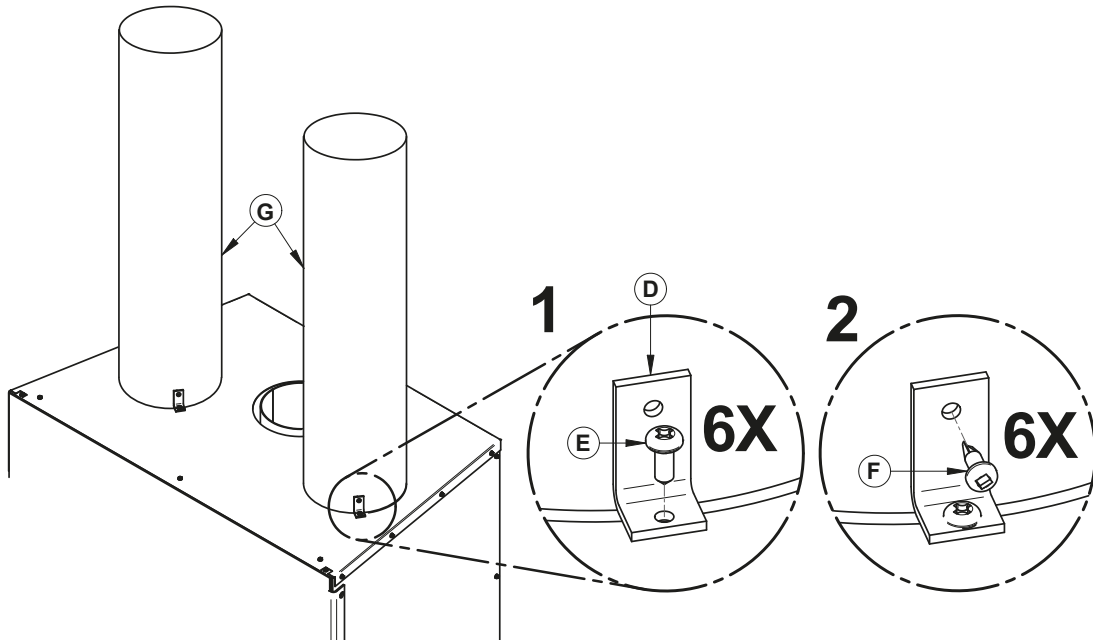


It is strongly recommended to wear gloves to complete the installation.

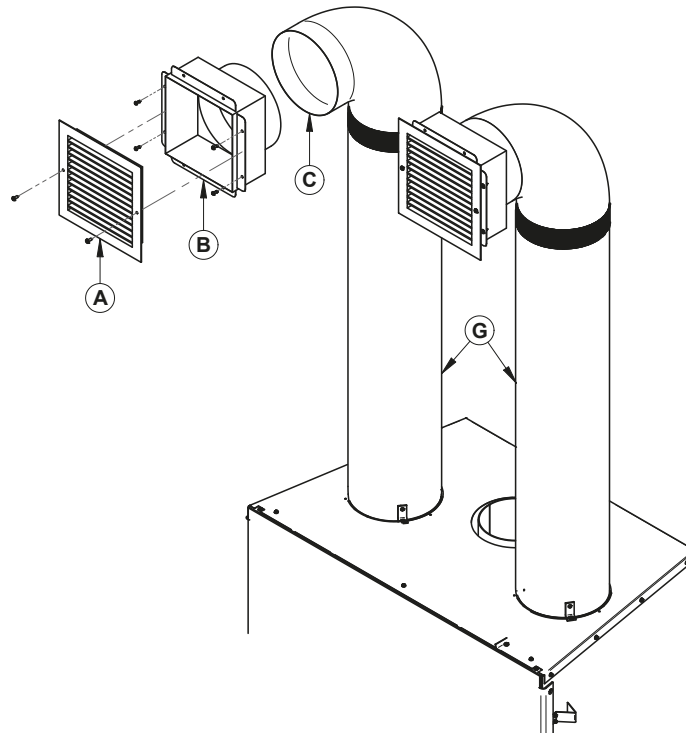
- A) Remove the knockout that close the 8" (20 cm) diameter holes on top of the fireplace. Then cut and remove the insulation and the other set of knockout inside the fireplace.



- B) Screw 6 steel brackets (**D**) with 6 screws (**E**) onto the top of the fireplace (3 per duct). Insert the ducts (**G**) (not supplied) into each opening and screw in place in the brackets (**D**) with 6 self-drilling screws (**F**).



- C) Fasten ducts **(G)** to 90 ° elbows **(C)** using self-drilling screws (3 per elbow). Insert the frames **(B)** into the elbow outlets **(C)**. Press the frame on the back of the non-combustible wall and screw it in place. Screw the frame **(B)** to the outlet of the elbow **(C)** with 3 self-drilling screws in each. Attach the decorative grilles **(A)** to the frames with screws.



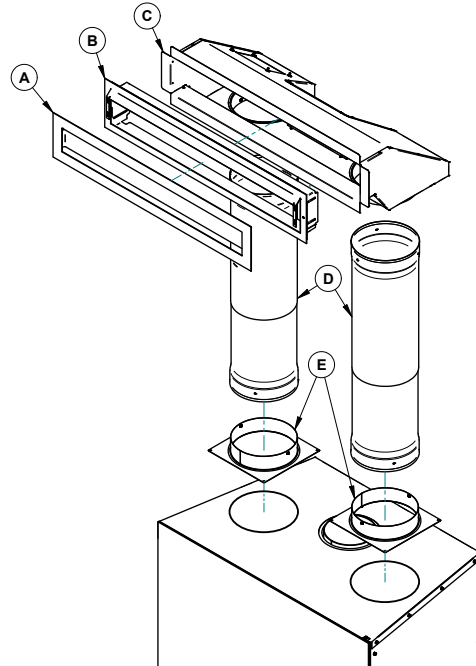
APPENDIX 5: OPTIONAL MODERN GRAVITY HOT AIR DISTRIBUTION KIT INSTALLATION

The kit includes :

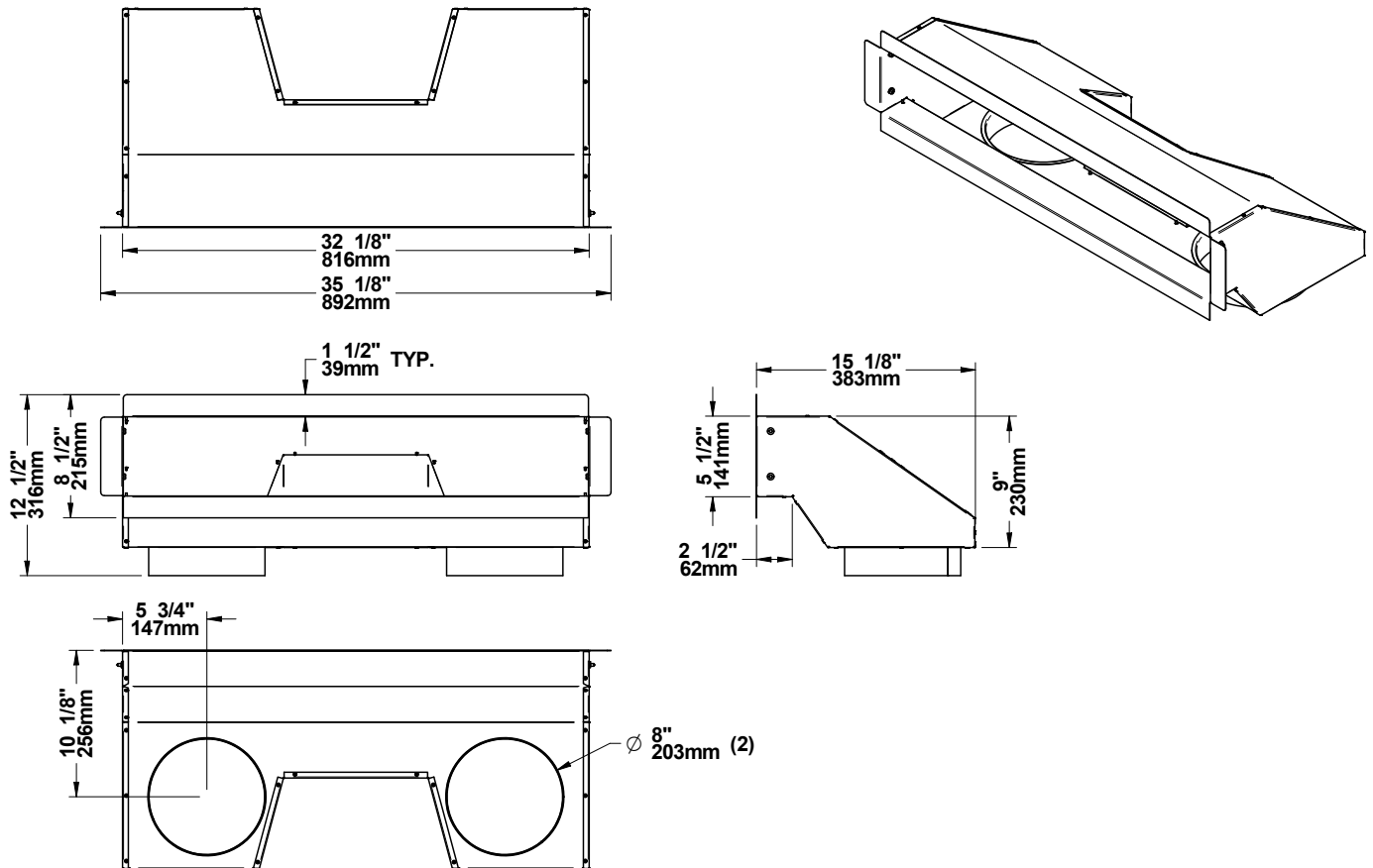
- Decorative plate **(A)**
- Adjustable frame **(B)**
- Heat distribution box **(C)**
- Telescoping section **(D)**
- Anchor plates **(E)**
- All screws are included

Not included in the kit:

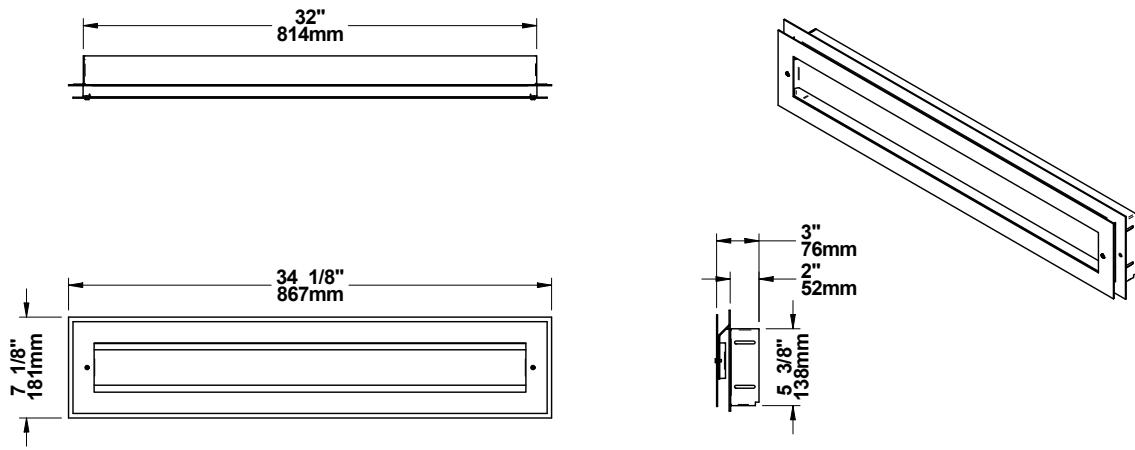
- 8" rigid ducting, 26 ga, galvanized steel (if necessary according to the desired height).



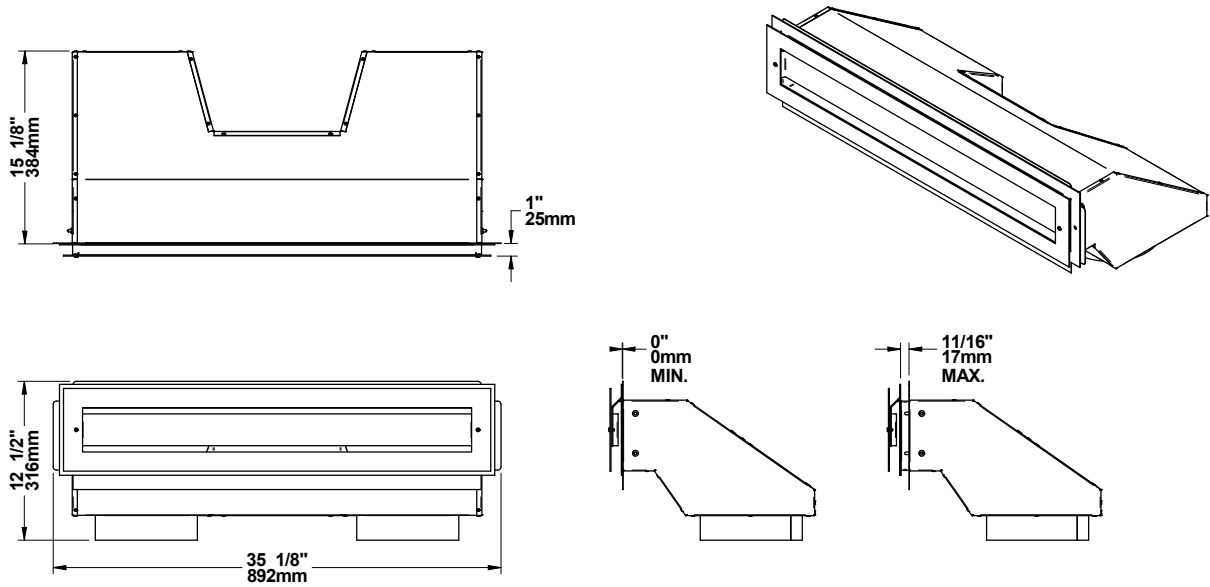
Dimensions of heat distribution box



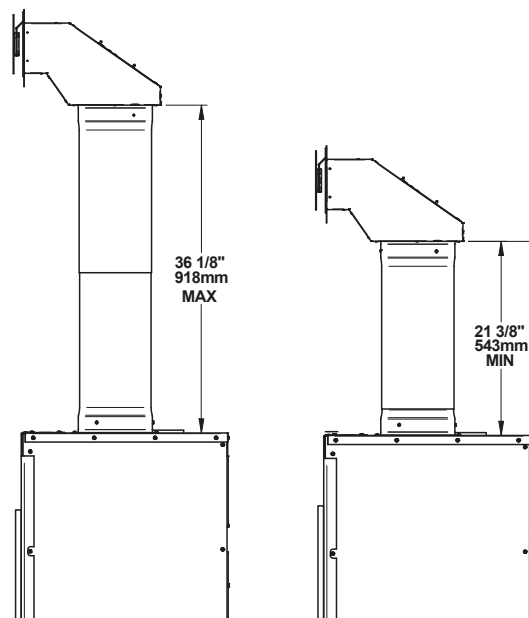
Dimensions of the decorative plate



Dimensions of assembled heat distribution box and adjustable decorative plate



Dimensions of telescoping section

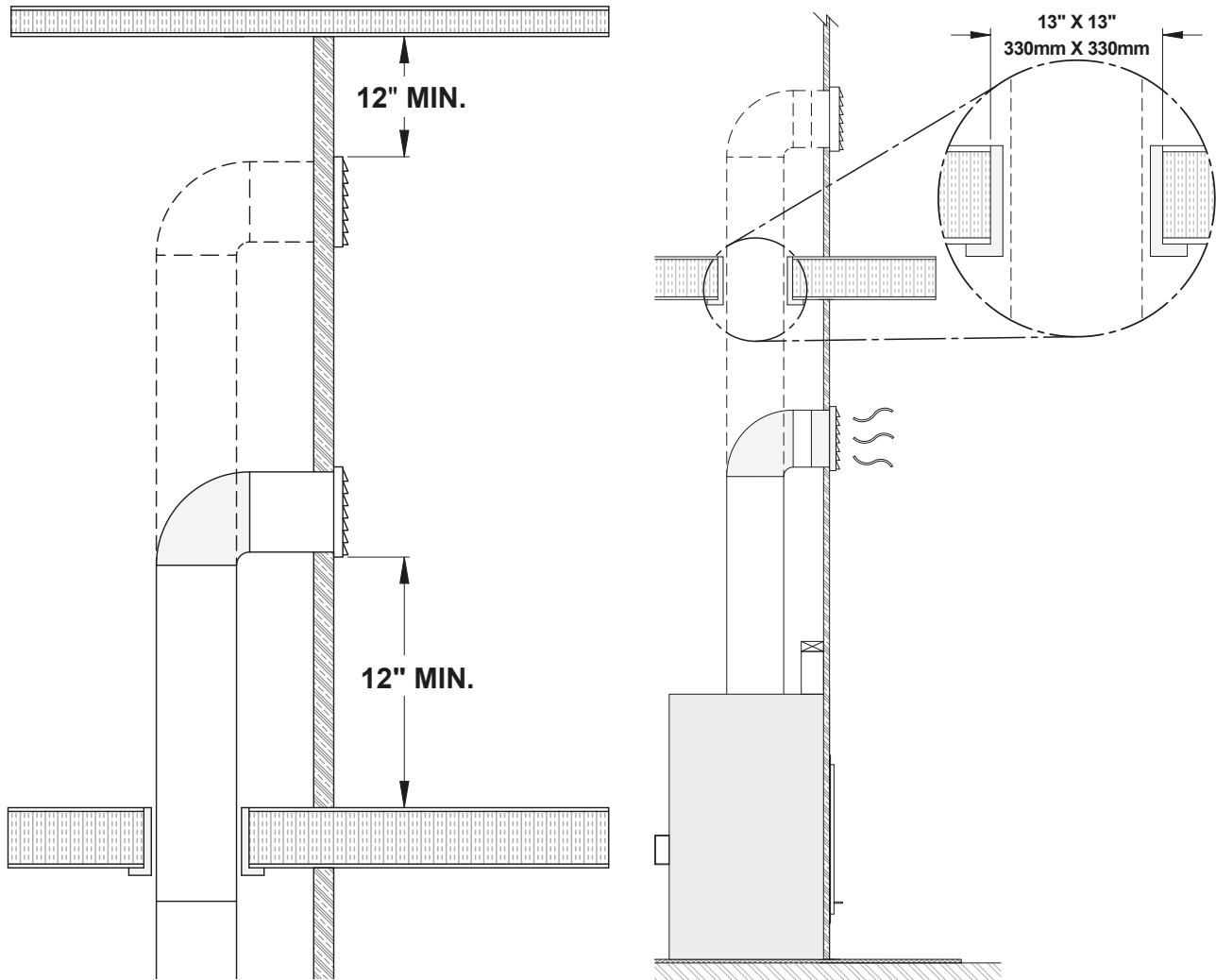


Installation rules and advice

- Do not connect the hot air ducts to a central heating system. The malfunction of the heating system would overheat the fireplace.
- Do not use insulated flexible ducts as they may overheat.
- Do not use «T» fittings or anything other than those listed below.
- The hot air outlets can be installed in the same room as the fireplace or it can be installed in a room upstairs.
- When forced air kit is installed in conjunction with a gravity kit, the forced air device will draw some of the air from the gravity kit ducting, therefore reducing its efficiency.

Clearances

- There shall be a clearance of at least 12" (305 mm) between the hot air outlet frame and a ceiling, side wall or mantle made of flammable material.
- When the duct passes through a wall or floor made of flammable material, a firestop radiation shield (same as the one used for a class A chimney) must be installed in the opening of the wall or floor. There must be a clearance of at least 2" (50 mm) between the ducts and the firestop.

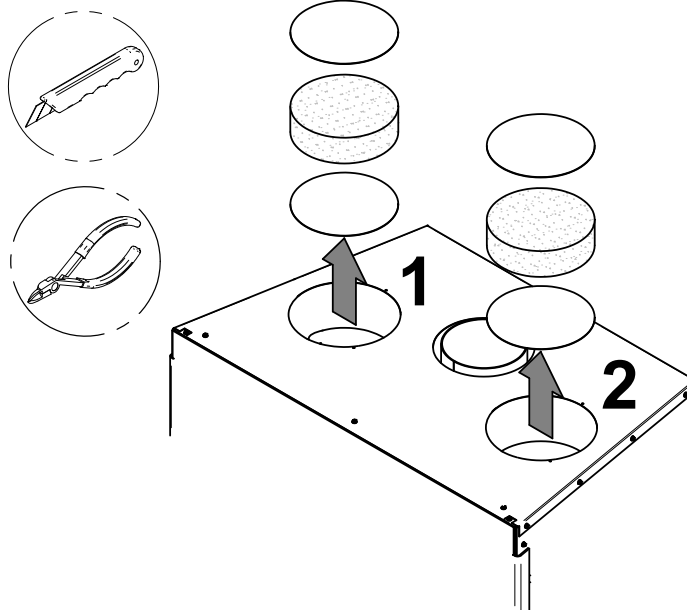


Installation

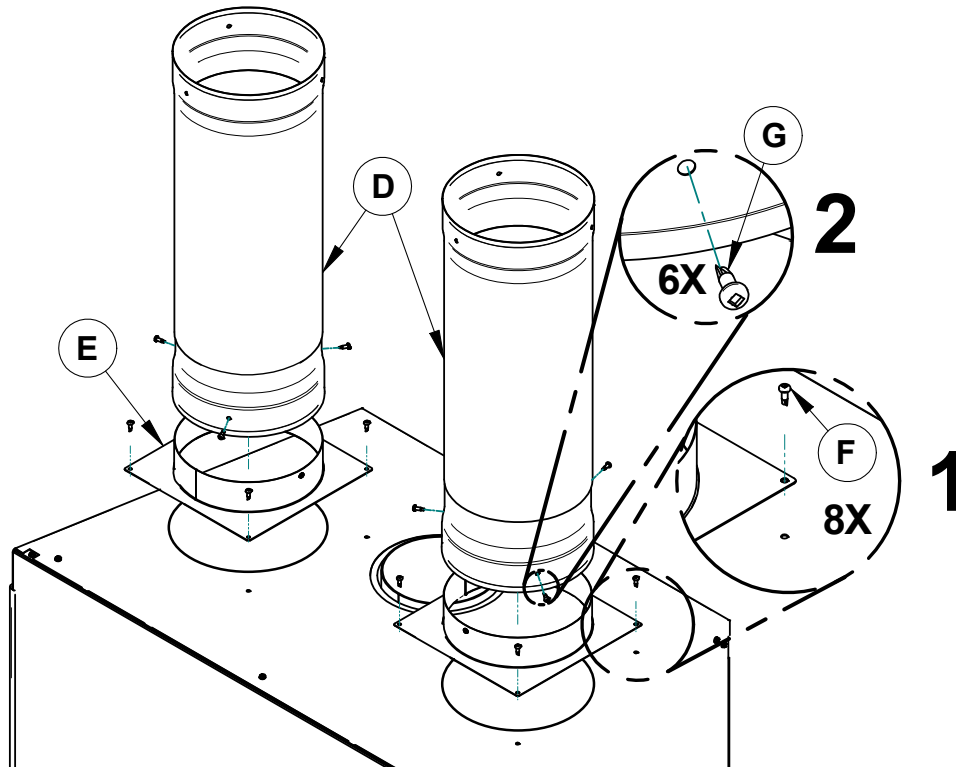


It is strongly recommended to wear gloves to complete the installation.

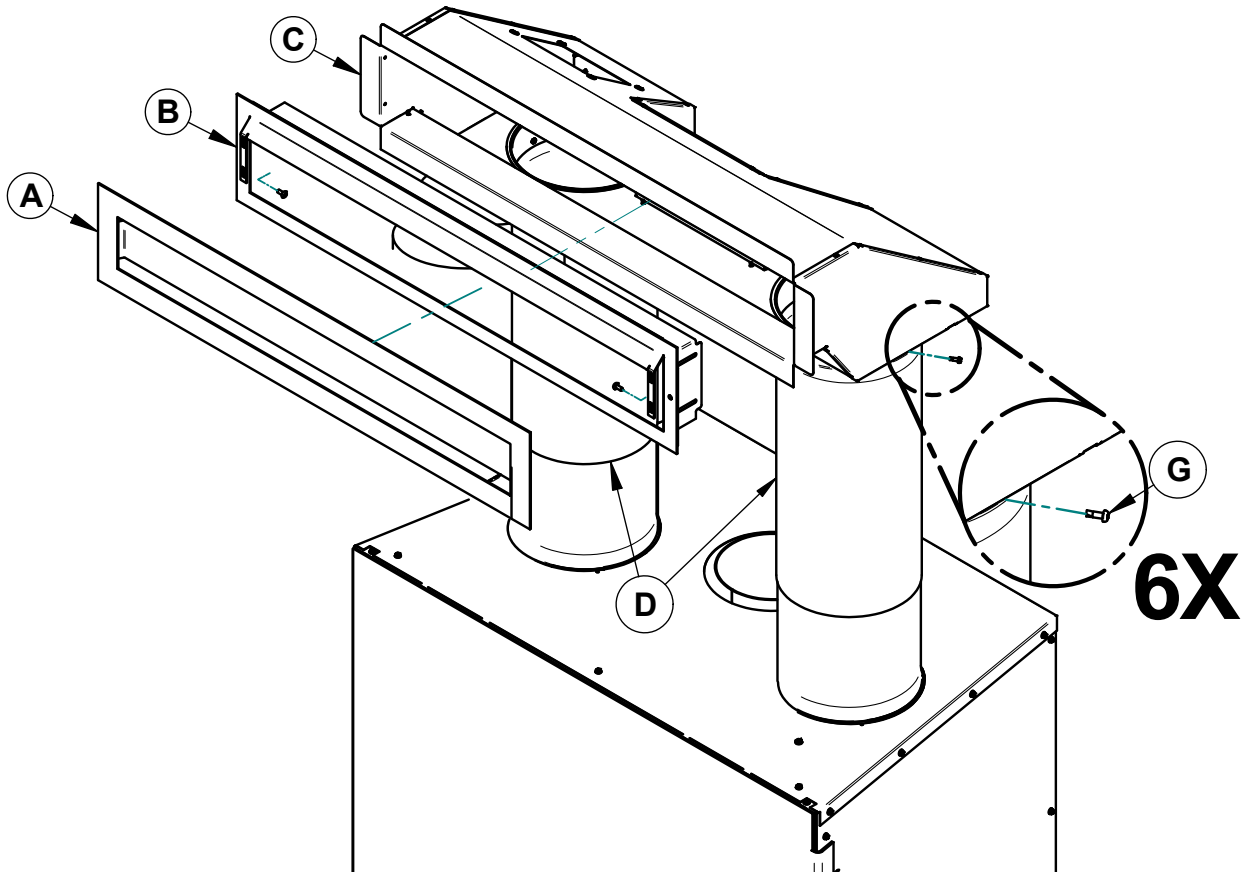
- A) Remove the knockout that close the 8" (20 cm) diameter holes on top of the fireplace. Then cut and remove the insulation and the other set of knockout inside the fireplace.



- B) Secure 2 anchor plates (**E**) with 8 screws provided (**F**) on top of the fireplace (4 for each anchor plate). Insert the telescoping section (**D**) into each anchor plate and secure it with 6 other self-tapping screws provided (**G**).

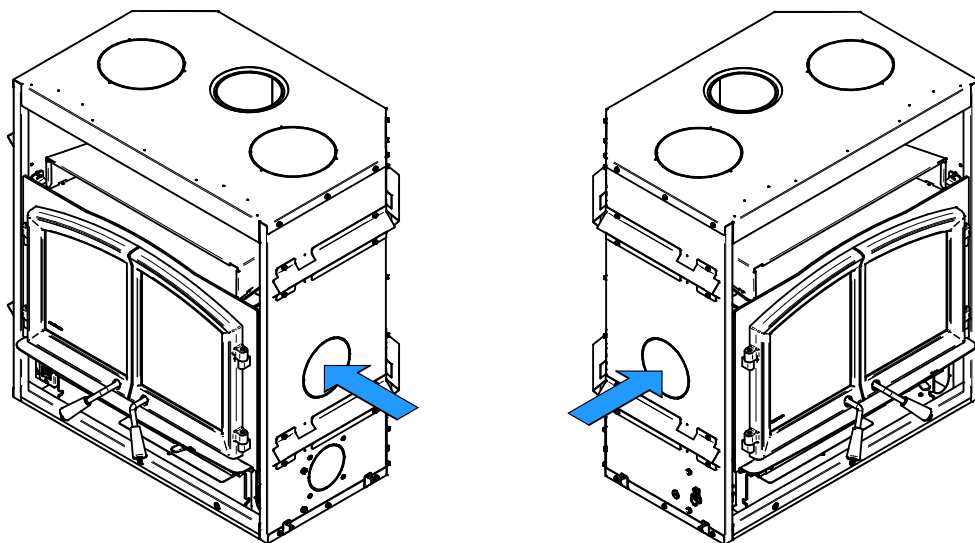


- C) Secure the telescoping sections **(D)** to the heat distribution box **(C)** with self-tapping screws **(G)** (3 per telescoping section). Determine the needed height and secure the two parts of the telescoping sections together with 3 self-tapping screws. Insert the adjustable frame **(B)** in the heat distribution box **(C)**, press it against the non-combustible material and secure with 4 screws into the heat distribution box. Set the decorative plate **(A)** to the adjustable frame **(B)**.



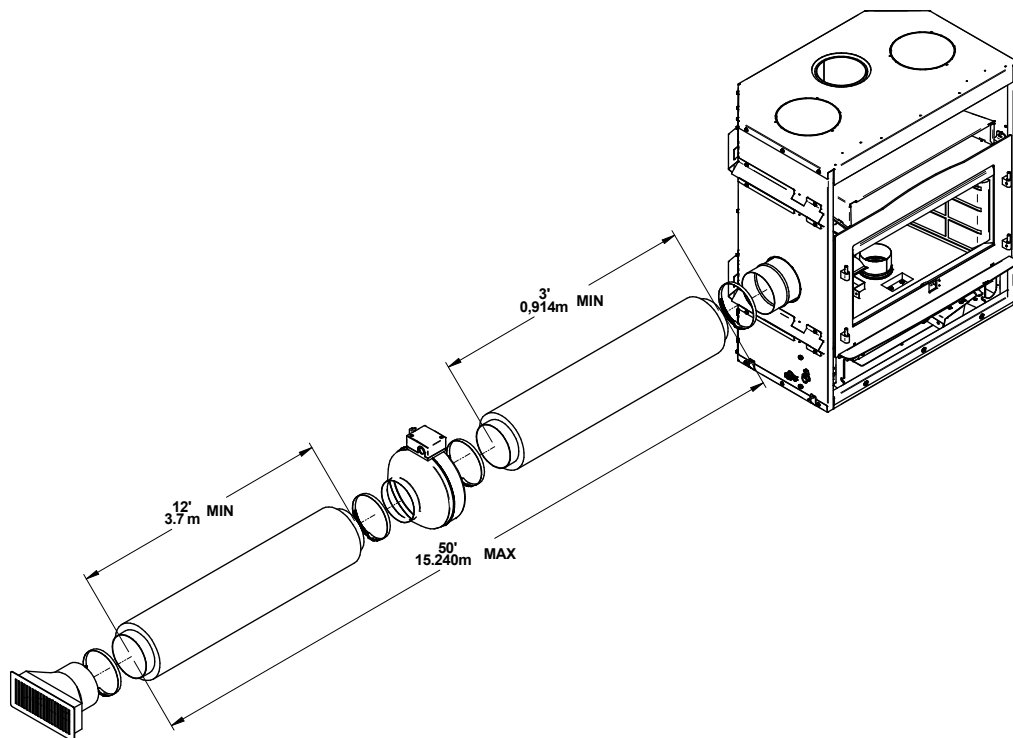
APPENDIX 6: OPTIONAL FORCED AIR DISTRIBUTION KIT INSTALLATION

It is possible to connect a forced air distribution kit²⁰ on either side of this fireplace. *Installing the kit on the left side of the fireplace will provide better performances* than on the right side.



ENGLISH

This kit allows distributing heat to another room up to 50 feet (15 m) of the fireplace. The insulated flexible pipe (not included in the kit) must be HVAC type pipe and must comply with ULC S110 and/or UL 181, Class 0 or Class 1 Standards and must withstand temperatures up to 250°F. For the complete installation procedure, see the installation manual provided with the kit.



²⁰ The EPA standard states that it is necessary to perform certification testing with any ventilation that is likely to alter the units' performance. For this reason, SBI has tested the effects of the forced air kit on the emissions of fine particles. Due to the design of the appliance and more specifically to the temperature sensor that is installed to control stops and starts, the forced air kit does not affect the emission results. In fact, this option promotes the recovery of excess heat to later redistribute it to other rooms. During testing, it was noted that the convection blowers underneath the firebox had more of an effect on the fine particles emission due to the air being directed onto the firebox thus cooling the unit. However, this appliance has already been tested for emission with one or more convection blowers. The environmental requirements are then met efficiently.

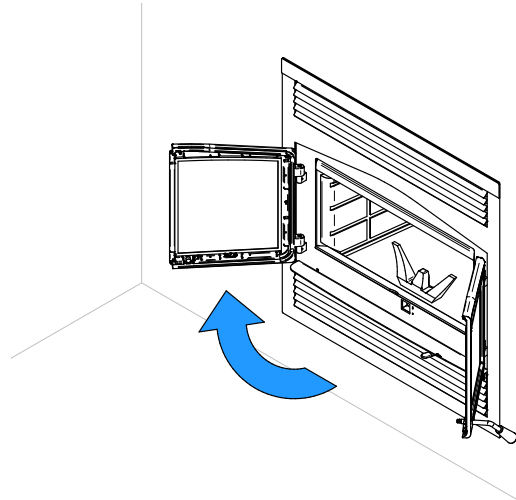
APPENDIX 7: OPTIONAL FIRE SCREEN INSTALLATION

In the United States or in provinces with a particulate emissions limit (e.g.: US EPA), the use of open-door wood fireplace with a rigid firescreen is prohibited.

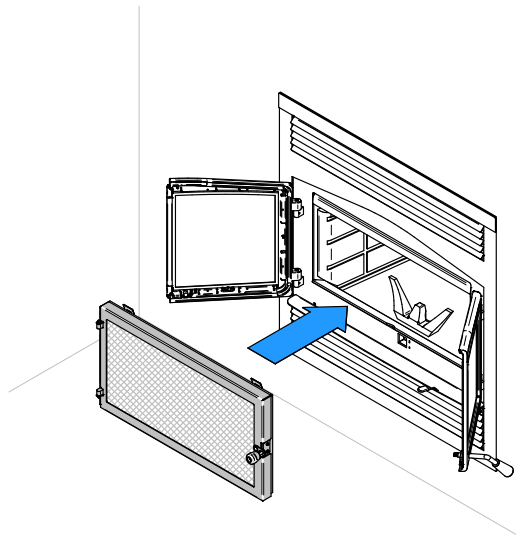
A fire screen door can be installed on the fireplace. For more details, refer to the installation manual supplied with the fire screen.

Warning: Never leave the fireplace unattended while in use with the fire screen.

1. Open the doors.

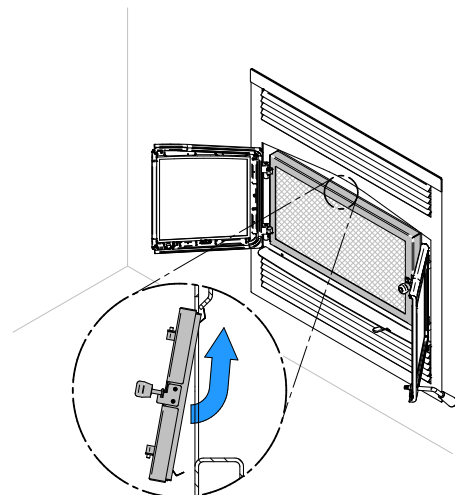


2. Hold the fire screen and bring it close to the door opening.



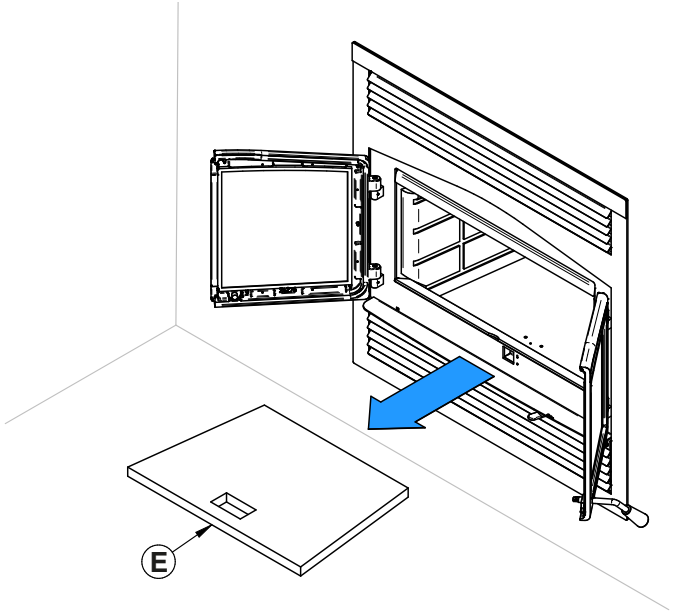
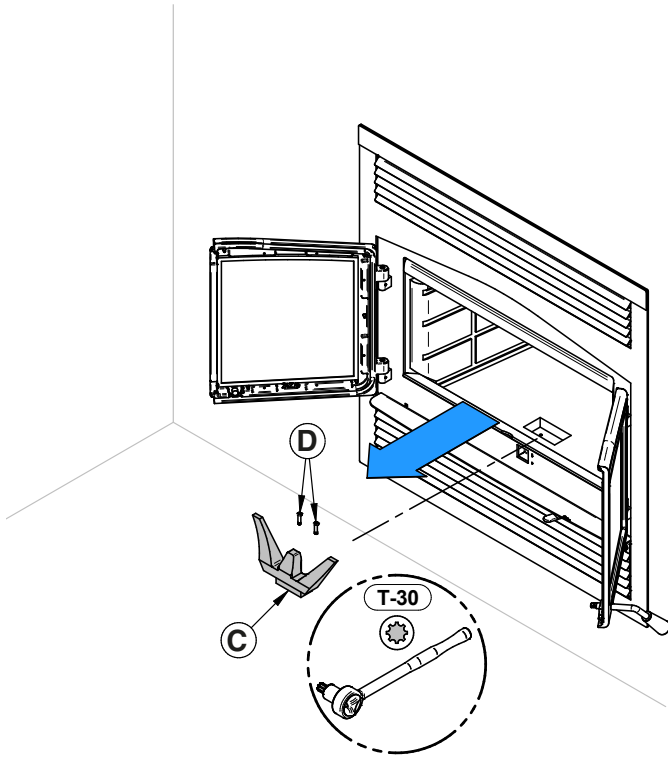
3. Lean the upper part of the fire screen against the top door opening making sure to insert the top fire screen bracket behind the primary air deflector.

4. Lift the fire screen upwards and push the bottom part towards the fireplace then let the fire screen rest on the bottom of the door opening.

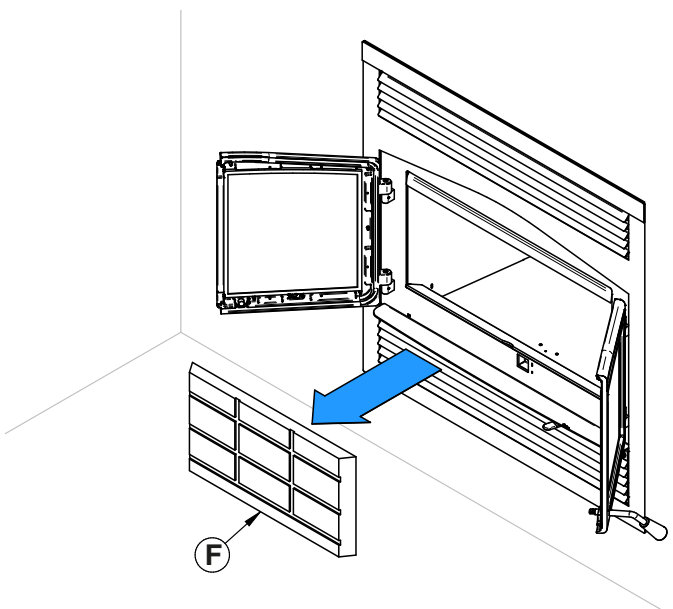
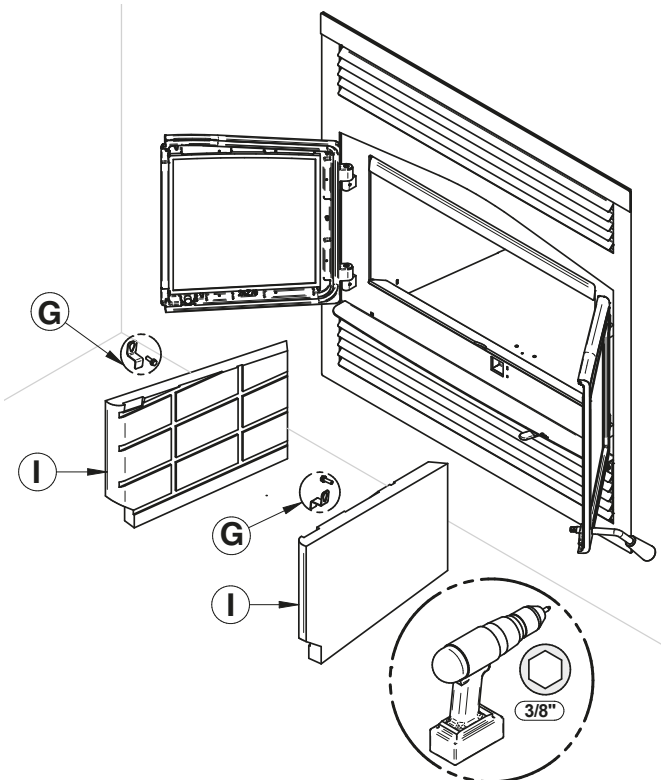


APPENDIX 8: REFRACTORY PANELS REMOVAL

1. Using a ratchet and a Torx (T-30) bit, unscrew the two screws **(D)** holding the andiron **(C)**.
2. Remove the floor refractory panel **(E)**.

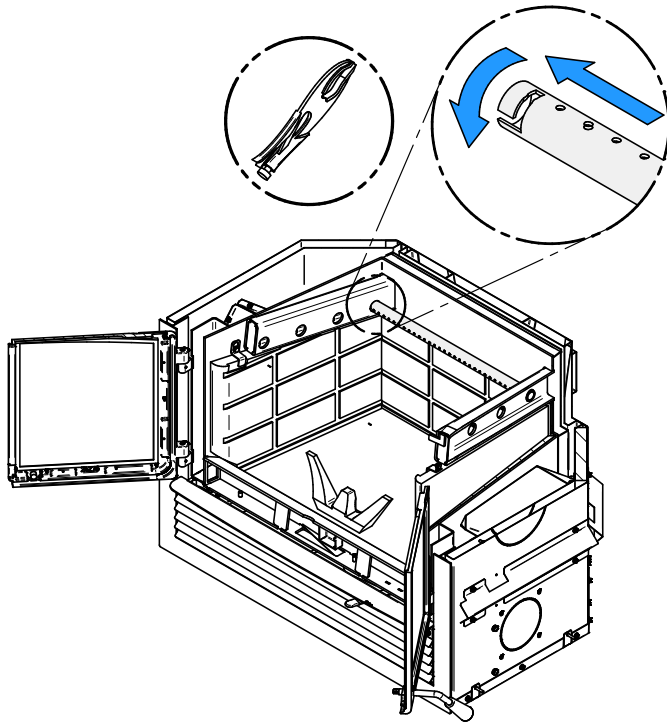
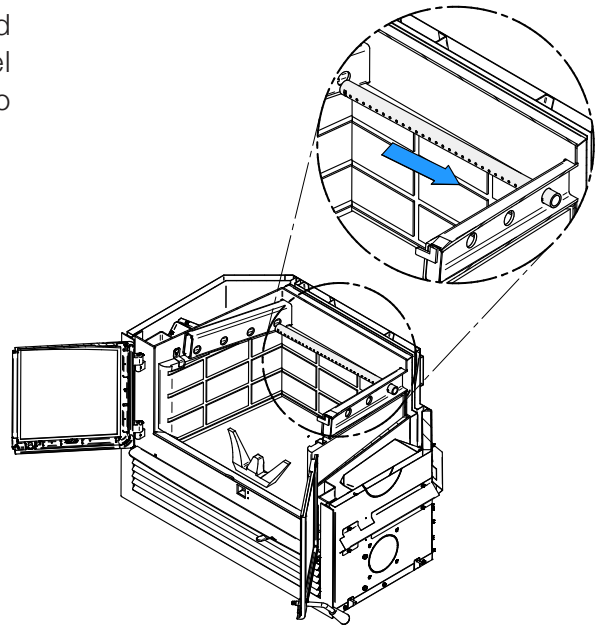


3. Using a power driver, remove the refractory panel brackets **(G)** and the side refractory panels **(I)**.
4. Remove the back refractory panel **(F)**.



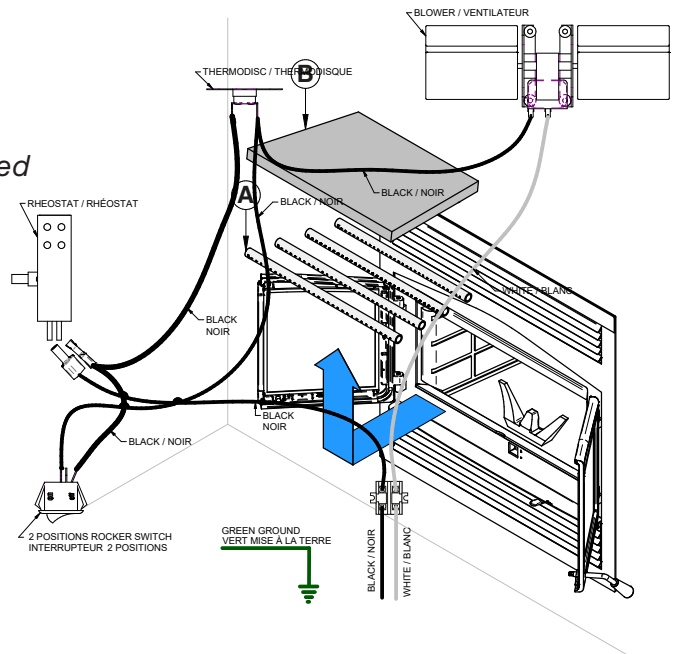
APPENDIX 9: SECONDARY AIR TUBES AND BAFFLE INSTALLATION

1. Starting with the rear tube, lean and insert the right end of the secondary air tube into the rear right channel hole. Then lift and insert the left end of the tube into the rear left channel.



2. Align the notch in the left end of the tube with the key of the left air channel hole. Using a «Wise grip» hold the tube and lock it in place by turning the tube as shown. Make sure the notch reaches the end of the key way.
3. Repeat for center back tube.
4. Put the baffle in place.
5. Repeat steps 1 and 2 for the two front tubes.
6. To remove the tubes use the above steps in reverse order.

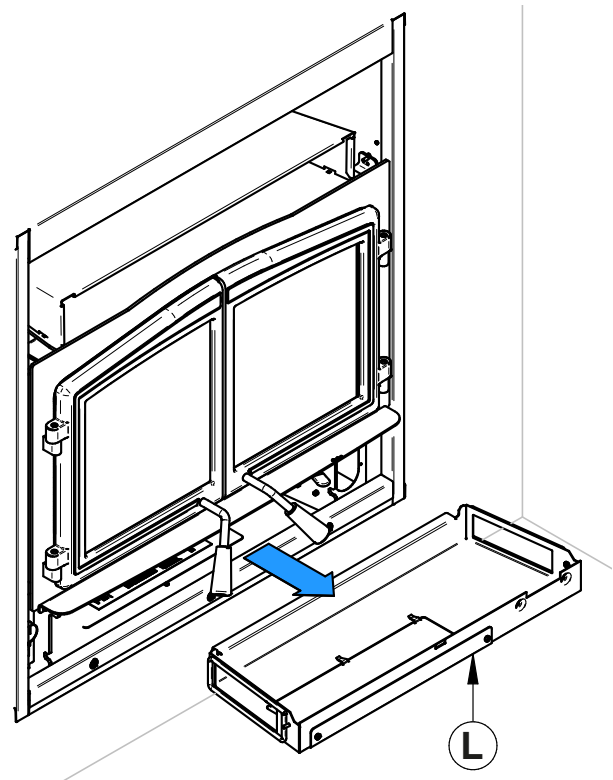
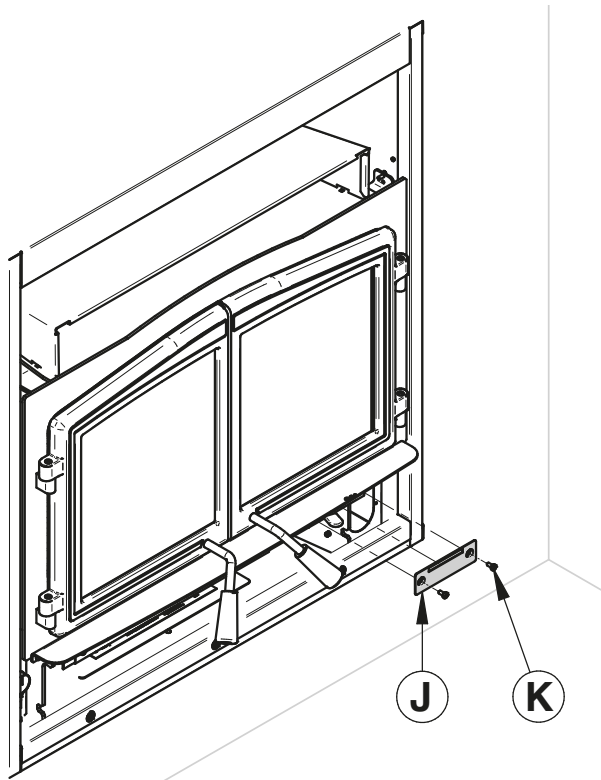
Note that secondary air tubes (A) can be replaced without removing the baffle board (B).



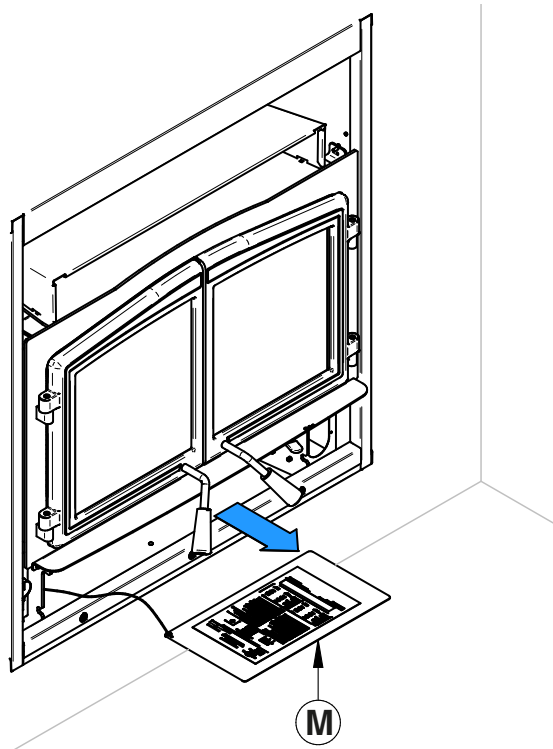
APPENDIX 10: BLOWER REPLACEMENT

To facilitate the blower replacement, it is recommended to remove the faceplate first. Refer to the faceplate installation manual for more details.

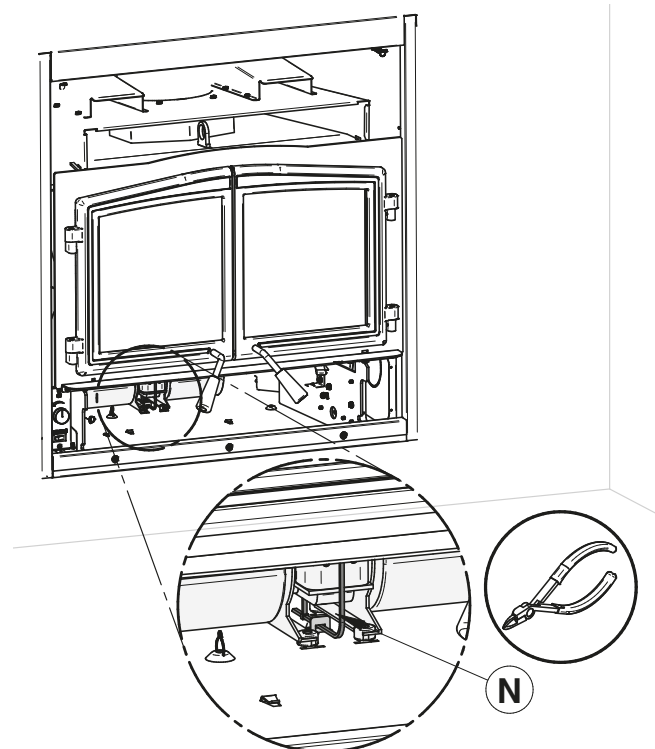
1. Remove the air control decorative panel (**J**) by removing the screws (**K**).
2. Remove the air control housing (**L**) by pulling on it.



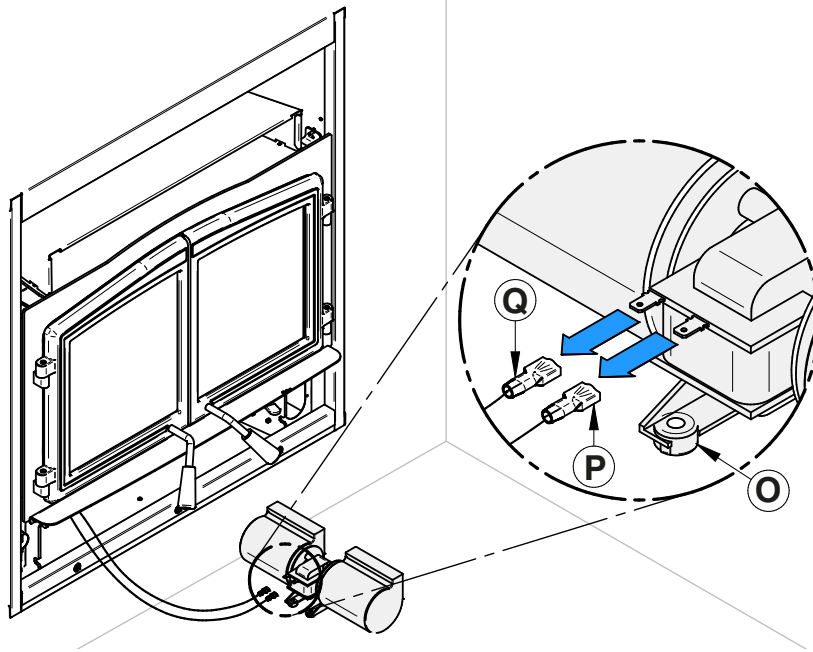
3. Remove the certification plate (**M**).



4. Cut the tie wrap (**N**).

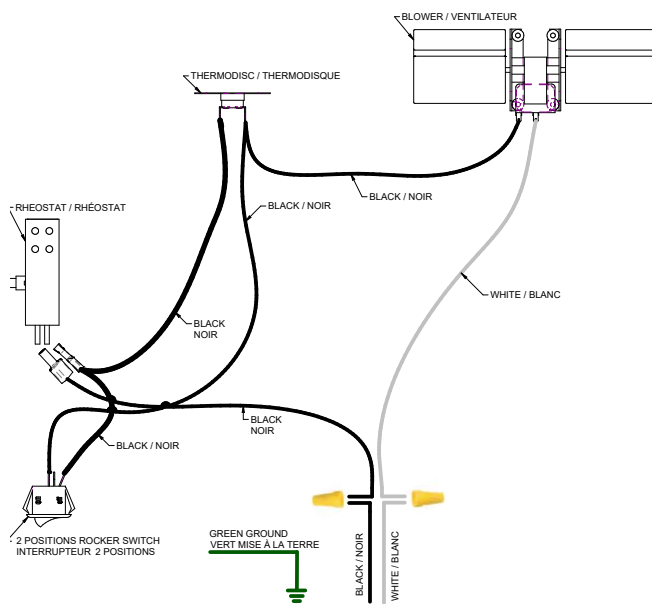


- Unplug the blower's electric wires **(P)** and **(Q)**. Lift the blower **(O)** located under the firebox towards the back. Turn 90° to pull out.
- Repeat the steps in reverse order to reinstall the blower.

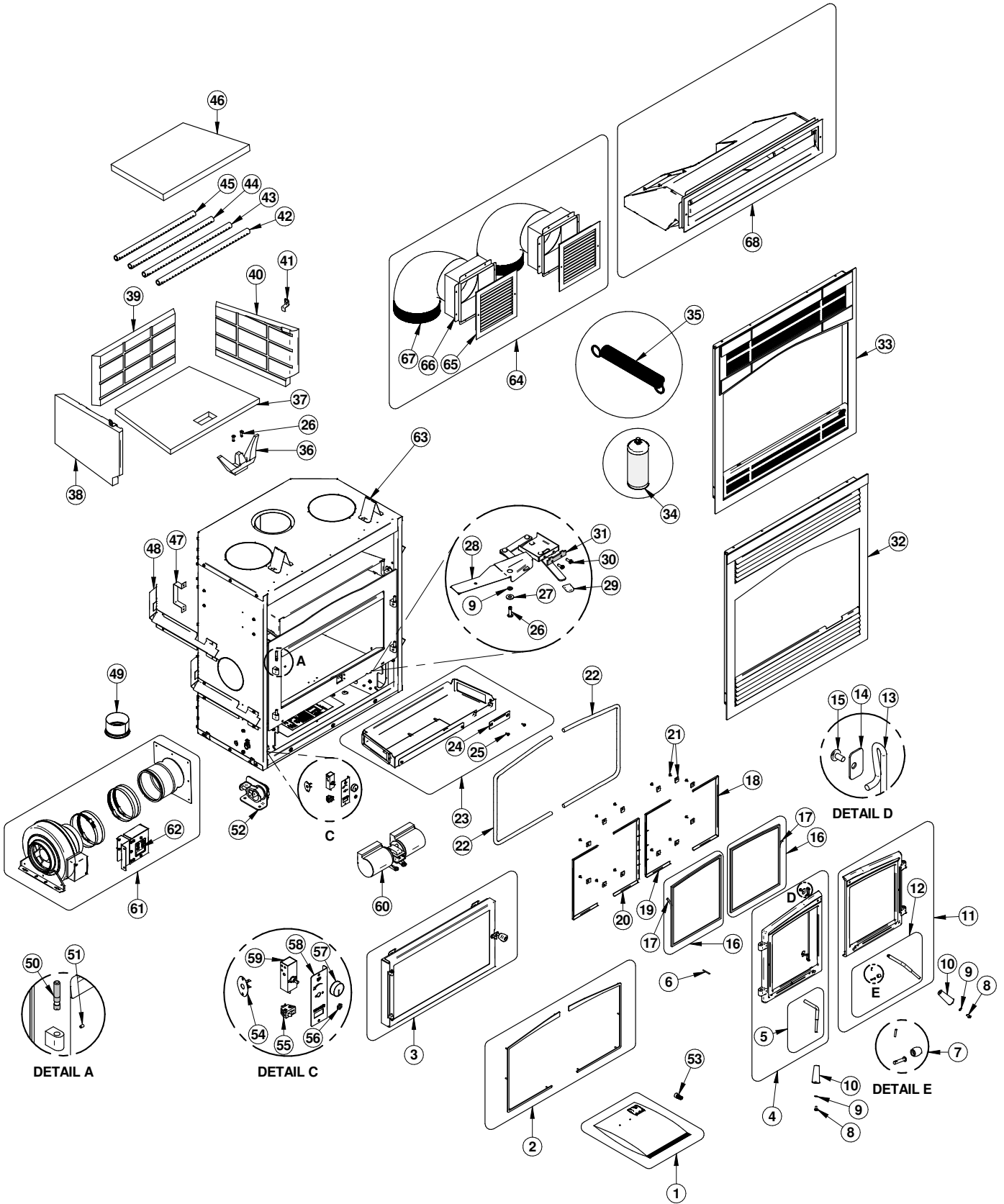


Blower Connection

The wiring should be made by a qualified electrician. Using a wire connector, connect the white wire from the power cord to the white wire coming from the fan. Use another wire connector to connect the black wire from the power cord to the black wire from the rheostat. The ground wire (stripped green wire) must be attached to the metal frame of the appliance or junction box.



APPENDIX 11: EXPLODED DIAGRAM AND PARTS LIST



IMPORTANT: THIS IS DATED INFORMATION. When requesting service or replacement parts for your unit, please provide the model number and the serial number. We reserve the right to change parts due to technology upgrades or availability. Contact an authorized dealer to obtain any of these parts. Never use substitute materials. Use of non-approved parts can result in poor performance and safety hazards.

#	Item	Description	Qty
1	SE46104	OWNER MANUEL STRATFORD II FIREPLACE	1
2	OA10610	BLACK DOOR OVERLAY	1
2	OA10612	BRUSHED NICKEL DOOR OVERLAY	1
3	AC01275	FIRE SCREEN DOOR	1
4	SE24276-01	STRATFORD LEFT DOOR WITH HANDLE AND GASKET	1
5	PL72085	LEFT DOOR HANDLE	1
6	30101	SPRING TENSION PIN 5/32"Ø X 1 1/2"L	1
7	AC09185	DOOR LATCH KIT	1
8	30025	1/4-20 X 1/2" PAN-HEAD QUADREX BLACK SCREW	2
9	30187	STAINLESS WASHER ID 17/64" X OD 1/2"	3
10	30898	ROUND WOODEN BLACK HANDLE DULL BLACK FINISH	2
11	SE24277-01	STRATFORD RIGHT DOOR WITH HANDLE AND GASKET	1
12	SE72084	REPLACEMENT HANDLE WITH LATCH KIT	1
13	40030	ROUND ROPE 1/4" WITH ADHESIVE	3
14	PL66525	GASKET RETAINER	2
15	30124	SCREW #8 - 32 X 5/16" TRUSS QUADREX ZINC	2
16	SE53241	13 1/2" X 12 3/16" REPLACEMENT GLASS WITH GASKET	2
17	AC06400	3/4" (FLAT) X 6' BLACK SELF-ADHESIVE GLASS GASKET	1
18	PL66655	GLASS RETAINER FRAME	2
19	PL66659	GLASS RETAINER FRAME	1
20	PL66656	GLASS RETAINER FRAME	1
21	SE53585	GLASS RETAINER KIT WITH SCREWS (12 PER KIT)	1
22	AC06500	SILICONE AND 5/8" X 8' BLACK DOOR GASKET KIT	1
23	SE72023	AIR CONTROL HOUSING ASSEMBLY	1
24	PL72053	AIR INTAKE CLOSING PLATE	1
25	30154	BLACK SCREW #10 X 5/8" QUADREX #2 TYPE A	2
26	30506	SCREW PAN TORX TYPE F 1/4-20 X 1" BLACK	3
27	30206	ZINC WASHER 5/16"ID X 3/4"OD	1
28	SE72269	AIR CONTROL DAMPER ASSEMBLY	1
29	30556	AIR CONTROL FINISHING TIP	1
30	30026	THREAD CUTTING SCREW 10-24 F 5/8" HEX WASHER HEAD	2
31	PL72272	MOUNTING BRACKET	1
32	OA10251	TRADITIONAL STYLE FACEPLATE	1
33	OA10252	PRAIRIE STYLE FACEPLATE	1
34	AC05959	METALLIC BLACK STOVE PAINT - 342 g (12oz) AEROSOL	1
35	30472	SPRING 1/2" OUTSIDE Ø X 3"L	2

#	Item	Description	Qty
36	PL53144	ANDIRON	1
37	22137	FLOOR REFRACTORY	1
38	22139	LEFT REFRACTORY SLAB	1
39	22138	REAR REFRACTORY SLAB	1
40	22140	RIGHT REFRACTORY SLAB	1
41	PL72040	REFRACTORY PANEL BRACKET	2
42	PL72049	FRONT SECONDARY AIR TUBE	1
43	PL72048	CENTER FRONT SECONDARY AIR TUBE	1
44	PL72047	CENTER BACK SECONDARY AIR TUBE	1
45	PL72046	BACK SECONDARY AIR TUBE	1
46	21578	C-CAST BAFFLE	1
47	PL53065	REAR STANDOFF	1
48	PL72161	CONVECTION JACKET SPACER	4
49	PL63954	4" ADAPTOR	1
50	30586	HINGE PIN	2
51	30117	SOCKET SET SCREW #10-32 X 1/4"	2
52	SE59956	SQUEEZE CONNECTOR ASSEMBLY	1
53	44077	WIRE CONNECTOR WITH WINGS YELLOW 18-10 AWG	2
54	44028	CERAMIC THERMODISC F110-20F	1
55	44091	ROCKER SWITCH 2 POSITION MSR-8	1
56	44202	RHEOSTAT NUT	1
57	44085	RHEOSTAT KNOB	1
58	PL72164	BLOWER CONTROL PANEL	1
59	44084	RHEOSTAT WITHOUT NUT AND FLAT WASHER	1
60	44122	DOUBLE CAGE BLOWER 176 CFM (CLASS H)	1
61	AC01374	FORCED AIR DISTRIBUTION KIT 300 CFM	1
62	44125	FORCED AIR DISTRIBUTION KIT PC CARD	1
63	PL72177	TOP STANDOFF	2
64	AC01375	HOT AIR GRAVITY DISTRIBUTION KIT - TRADITIONAL	1
65	30540	HOT AIR GRAVITY DISTRIBUTION KIT GRILL	2
66	30640	GALVANISED BOX FOR HOT AIR GRAVITY DISTRIBUTION KIT 8"	2
67	49066	90° X 8" 26Ga. GALVANISED ELBOW	2
68	AC01389K	HOT AIR GRAVITY DISTRIBUTION KIT – MODERN WITH ADJUSTABLE PIPES	1

10. OSBURN Limited Lifetime Warranty

The warranty of the manufacturer extends only to the original retail purchaser and is not transferable. This warranty covers brand new products only, which have not been altered, modified nor repaired since shipment from factory. Proof of purchase (dated bill of sale), model name and serial number must be supplied when making any warranty claim to your OSBURN dealer.

This warranty applies to normal residential use only. This warranty is void if the unit is used to burn material other than cordwood (for which the unit is not certified by EPA) and void if not operated according to the owner's manual. Damages caused by misuse, abuse, improper installation, lack of maintenance, over firing, negligence or accident during transportation, power failures, downdrafts, venting problems or under-estimated heating area are not covered by this warranty. The recommended heated area for a given appliance is defined by the manufacturer as its capacity to maintain a minimum acceptable temperature in the designated area in case of a power failure.

This warranty does not cover any scratch, corrosion, distortion, or discoloration. Any defect or damage caused by the use of unauthorized or other than original parts voids this warranty. An authorized qualified technician must perform the installation in accordance with the instructions supplied with this product and all local and national building codes. Any service call related to an improper installation is not covered by this warranty.

The manufacturer may require that defective products be returned or that digital pictures be provided to support the claim. Returned products are to be shipped prepaid to the manufacturer for investigation. Transportation fees to ship the product back to the purchaser will be paid by the manufacturer. Repair work covered by the warranty, executed at the purchaser's domicile by an authorized qualified technician requires the prior approval of the manufacturer. All parts and labour costs covered by this warranty are limited according to the table below.

The manufacturer, at its discretion, may decide to repair or replace any part or unit after inspection and investigation of the defect. The manufacturer may, at its discretion, fully discharge all obligations with respect to this warranty by refunding the wholesale price of any warranted but defective parts. The manufacturer shall, in no event, be responsible for any uncommon, indirect, consequential damages of any nature, which are in excess of the original purchase price of the product. **A one-time replacement limit applies to all parts benefiting from lifetime coverage.** This warranty applies to products purchased after June 1st, 2015.

DESCRIPTION	WARRANTY APPLICATION*	
	PARTS	LABOUR
Combustion chamber (welds only) and cast iron door frame	Lifetime***	5 years
Ceramic glass**, plating (manufacturing defect**), and convector air-mate	Lifetime***	N/A
Surrounds, heat shields, ash drawer, steel legs, pedestal, trims (aluminum extrusions), vermiculite, C-Cast or equivalent baffle**, secondary air tubes**, removable stainless steel combustion chamber, deflectors, and supports	7 years***	N/A
Handle assembly, glass retainers and air control mechanism	5 years	3 years
Removable carbon steel combustion chamber components	5 years	N/A
Standard and optional blower, heat sensors, switches, rheostat, wiring, and electronics	2 years	1 year
Paint (peeling**), gaskets, insulation, ceramic fiber blankets, refractory bricks (fireplace only***), and other options	1 year	N/A
All parts replaced under the warranty	90 days	N/A

Subject to limitations above **Picture required *limited to one replacement*

Labour cost and repair work to the account of the manufacturer are based on a predetermined rate schedule and must not exceed the wholesale price of the replacement part.

Shall your unit or a components be defective, contact immediately your **OSBURN** dealer. To accelerate processing of your warranty claim, make sure to have on hand the following information when calling:

- Your name, address and telephone number
- Bill of sale and dealer's name
- Installation configuration
- Serial number and model name as indicated on the nameplate fixed to the back of your unit
- Nature of the defect and any relevant information

Before shipping your unit or defective component to our plant, you must obtain an Authorization Number from your OSBURN dealer. Any merchandise shipped to our plant without authorization will be refused automatically and returned to sender.

This document is available for free download on the manufacturer's website. It is a copyrighted document. Resale is strictly prohibited. The manufacturer may update this document from time to time and cannot be responsible for problems, injuries, or damages arising out of the use of information contained in any document obtained from unauthorized sources.



Stove Builder International inc.
250, De Copenhague street,
St-Augustin-de-Desmaures (Québec), Canada
G3A 2H3
418-908-8002
www.osburn-mfg.com/en
tech@sbi-international.com