

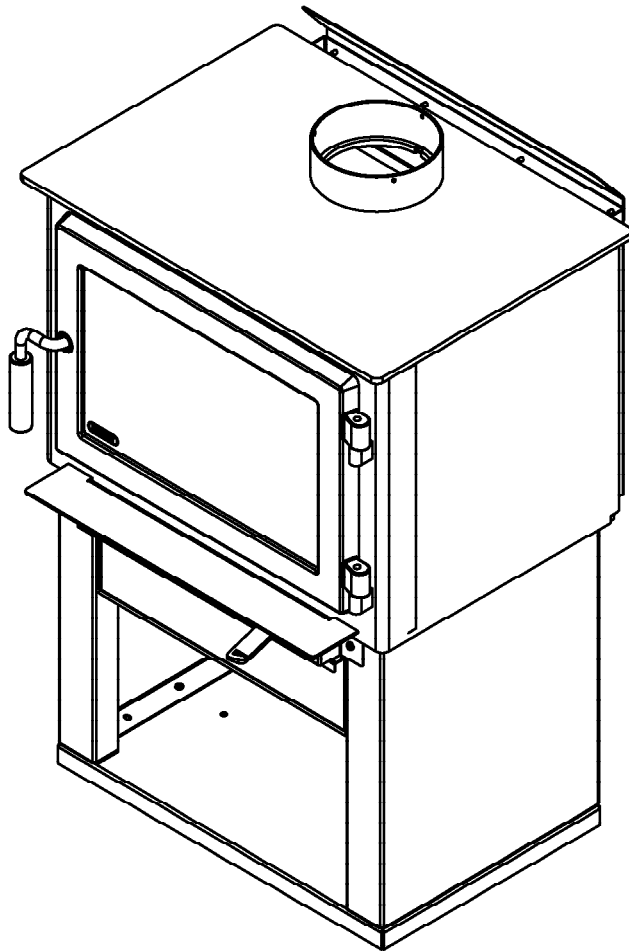
Wood Stove Owner's Manual

Part 2 of 2

DECO II

(DB03205 model)

INSTALLATION AND OPERATION REQUIREMENTS



US Environmental Protection Agency
phase II certified wood stove compliant
with 2020 cord wood standard



Safety tested according to CAN/ULC
S627, UL 1482 and UL 737 standards
by an accredited laboratory.



ENGLISH

CONTACT LOCAL BUILDING OR FIRE OFFICIALS ABOUT RESTRICTIONS AND INSTALLATION INSPECTION REQUIREMENTS IN LOCAL AREA.

READ THIS ENTIRE MANUAL BEFORE INSTALLATION AND USE OF THIS WOOD STOVE. FAILURE TO FOLLOW THESE INSTRUCTIONS COULD RESULT IN PROPERTY DAMAGE, BODILY INJURY OR EVEN DEATH.

READ AND KEEP THIS MANUAL FOR REFERENCE

Dealer: _____

Installer: _____

Phone Number: _____

Serial Number: _____

ONLINE WARRANTY REGISTRATION

If the unit requires repairs during the warranty period, proof of purchase must be provided. The purchase invoice must be kept. The date indicated on it establishes the warranty period. If it can not be provided, the warranty period will be determined by the date of manufacture of the product. It is also highly recommended to register the warranty online at

<https://www.drolet.ca/en/warranty/warranty-registration/>

Registering the warranty will help to quickly find the information needed on the unit.



TABLE OF CONTENTS

1. CERTIFICATION PLATE	4
2. General Information	5
2.1 Performances.....	5
2.2 Specifications.....	6
2.3 Dimensions	7
2.4 EPA Loading Procedure	9
3. Clearances to Combustible Material.....	13
3.1 Clearances.....	13
4. Floor Protection	20
5. Reducing Wall and Ceiling Clearances Safely	21
5.1 Shield Construction Rules	21
6. Installation of options on your product.....	24
6.1 Optional Fresh Air Intake Kit Installation	24
6.2 Optional Fire Screen Installation	25
6.3 Optional Blower Installation	26
6.4 Optional Thermodisc Installation	27
6.5 Log Retainers Installation	28
6.6 Air Tubes And Baffle Installation.....	29
6.7 Mobile Home Installation	31
7. Maintenance/Parts Replacement.....	32
7.1 Replacement.....	32
7.2 Gasket.....	33
7.3 Door	33
8. Exploded Diagram and Parts List	36
DROLET LIMITED LIFETIME WARRANTY.....	39

1. CERTIFICATION PLATE



Intertek
December/Décembre 2018
Control Number (SA) : 4002461

REFER TO INTERTEK'S DIRECTORY OF BUILDING PRODUCTS FOR DETAILED INFORMATION
SE RÉFÉRER AU RÉPERTOIRE DES PRODUITS HOMOLOGUÉS D'INTERTEK POUR PLUS D'INFORMATION

STANDARDS / NORMES D'ESSAI:
 Certified to/Certifié selon CAN/ULC S627 Certified to/Certifié selon CSA B415.1
 Certified to/Certifié selon UL 1482 Certified to/Certifié selon ASTM E3053
 Certified to/Certifié selon UL 737
 Certified to/Certifié selon ASTM E2515

LISTED SOLID FUEL BURNING APPLIANCE
 POÊLE À COMBUSTIBLE SOLIDE HOMOLOGUÉ
**MODEL / MODÈLE :
 DECO II**

Serial Number
No. de Série **99997**

Clearances to combustibles / Dégage­ments aux combustibles



CANADA
 Single wall connector
Tuyau à paroi simple
 Double wall connector
Tuyau à paroi double



MOBILE HOME
MAISONS MOBILES
Double wall connector
Tuyau à paroi double



Back / Arrière

Protection de plancher/Floor protection
CANADA U.S.A.

CANADA		U.S.A.	
A: 14.5 in./po. (368 mm)	B: 16 in./po. (406 mm)	C: 12 in./po. (305 mm)	D: 13.5 in./po. (343 mm)
E: 25 in./po. (635 mm)	F: 20.75 in./po. (527 mm)	G: 8 in./po. (203 mm)	H: 8 in./po. (203 mm)
I: 18 in./po. (457 mm)	J: 8 in./po. (203 mm)	K: 36 in./po. (914 mm)	

* See owner's manual for other clearances with lowered ceiling / voir manuel d'installation pour autres dégage­ments avec plafond abaissé

PREVENT HOUSE FIRES

- Install and use only in accordance with the manufacturer's installation and operating instructions.
- Contact local building or fire officials about restrictions and installation inspection in your area.
- Use listed 152 mm / 6 in. diameter single or double wall connectors with prefabricated chimneys approved UL 103 HT (US) and ULC S629 (CAN) suitable for solid fuels or lined masonry chimneys.
- See local building code and manufacturer's instructions for precautions required for passing a chimney through a combustible wall or ceiling.
- This stove must be installed as a freestanding heater with the clearances listed in the manufacturer's installation instructions. It is strictly forbidden to install this stove in a factory-built fireplace.
- The space heater must be installed with legs or pedestal provided, attached as shown in the installation instruction.
- Do not pass connector through combustible wall or ceiling.
- Do not connect this unit to a chimney serving another appliance.
- For use with solid fuel only. Do not use other fuels.
- Operate only with door closed or door open with firescreen installed. Open door or remove firescreen to feed the stove only.
- Log storage approved.
- Do not use grate or elevate fire. Build fire directly on hearth.
- Do not overfire. If heater or chimney connector glows, you are overfiring.
- Inspect and clean chimney frequently. Under certain condition of use, creosote buildup may occur rapidly.
- Replace glass with ceramic type only.
- Install unit on a non-combustible material extending as shown above on this label.
- Suitable for mobile-home installation.
- Combustion air openings shall not be obstructed.
- This wood heater needs periodic inspection and repair for proper operation. Consult the owner's manual for further information. It is against US federal regulations to operate this wood heater in a manner inconsistent with the operating instructions in the owner's manual.

PRÉVE­NEZ LES INCENDIES

- Installer et utiliser conformément au manuel d'utilisation du fabricant.
- Contacter les autorités de votre localité ayant juridiction concernant les restrictions et inspections d'installation.
- Utiliser des tuyaux d'évacuation à parois simple ou double homologués d'un diamètre de 6 po. (152 mm) avec une cheminée préfabriquée approuvée UL 103 HT (US) et ULC S629 (CAN) pour utilisation au bois ou une cheminée de maçonnerie gainée.
- Voir les codes locaux et le manuel d'installation du fabricant pour le passage de la cheminée à travers un mur ou un plafond combustible.
- Ce poêle doit être installé comme appareil de chauffage autonome avec les dégage­ments indiqués dans les instructions d'installation du fabricant. Il est strictement défendu d'installer ce poêle dans un foyer préfabriqué.
- Le poêle doit être installé avec les pattes ou le piédestal fournis, fixés comme indiqué dans les instructions d'installation.
- Ne pas traverser un plafond ou un mur combustible avec un tuyau d'évacuation.
- Ne pas raccorder cet appareil à une cheminée desservant un autre appareil.
- Pour l'usage avec du combustible solide seulement. Ne pas utiliser d'autres combustibles.
- Garder la porte fermée ou le pare-étincelle en place en tout temps. Ouvrir la porte ou retirer le pare-étincelle que lors du chargement.
- Compartiment à bois approuvé.
- Ne pas utiliser de grilles ou de chenets pour surélever le feu. Préparer le feu directement sur l'âtre.
- Ne pas surchauffer. Si l'appareil ou le tuyau rougit, il y a surchauffe.
- Inspecter et nettoyer la cheminée fréquemment. Sous certaines conditions, l'accumulation de créosote peut être rapide.
- Remplacer la vitre seulement avec un verre de céramique.
- Installer l'appareil sur une plaque non combustible tel qu'indiqué sur l'étiquette.
- Poêle approuvé pour maison mobile.
- Les entrées d'air servant à la combustion ne doivent pas être obstruées.
- Cet appareil de chauffage requiert des inspections et réparations périodiques. Consulter le manuel de l'utilisateur pour plus d'information. Opérer cet appareil de chauffage de façon inconsistente par rapport au manuel de l'utilisateur consiste une violation de la loi fédérale (USA).

Optional blower: AC02050 (115V, 0.8A, 60Hz) Option ventilateur: AC02050 (115V, 0.8A, 60Hz)

U.S. ENVIRONMENTAL PROTECTION AGENCY Certified to comply with 2020 particulate emission standards using cordwood.
 AGENCE DE PROTECTION DE L'ENVIRONNEMENT DES É.-U. Conforme aux normes d'émission de particules de 2020 avec bûche de bois.

Weighted average emission rate / Moyenne pondérée des émissions : 2.4 g/h
 Tested and certified in compliance with CFR 40 part 60, subpart AAA, section 60.534(a)(1)(ii)

WARNING: This product can expose you to carbon monoxide, which is known to the State of California to cause cancer, birth defects or other reproductive harm.
 (For more information go to www.p65warnings.ca.gov)



CAUTION

- HOT WHILE IN OPERATION.
- DO NOT TOUCH. KEEP CHILDREN, CLOTHING AND FURNITURE AWAY.
- CONTACT MAY CAUSE SKIN BURNS. SEE NAME-PLATE AND INSTRUCTIONS.

ATTENTION

- CHAUD EN FONCTIONNEMENT.
- NE PAS TOUCHER. GARDER LES ENFANTS, LES VÊTEMENTS ET LES MEUBLES ÉLOIGNÉS.
- UN CONTACT AVEC LA PEAU PEUT OCCASIONNER DES BRÛLURES. VOIR LES INSTRUCTIONS.

27814
 Made in St-Augustin-de-Desmaures, (Qc), Canada
 20/06/2023 (# Test)



Fabricant de poêles international
Stove Builder International

Fabriqué à St-Augustin-de-Desmaures, (Qc), Canada
 20/06/2023 (# Test)

ENGLISH

2. General Information

2.1 Performances

Values are as measured per test method, except for the recommended heating area, firebox volume, maximum burn time and maximum heat output.

Model	Deco II (DB03205)	
Type of combustion	Non-catalytic	
Fuel Type	Dry Cordwood	
Recommended heating area (sq. ft.) ¹	500 to 1,800 ft ² (46 to 167 m ²)	
Overall firebox volume ²	1.86 ft ³ (0.053 m ³)	
EPA loading volume	1.44 ft ³ (0.041 m ³)	
Maximum burn time ¹	7 hours	
Maximum heat output (dry cordwood) ³	65,000 BTU/h (19 kW)	
Overall heat output rate (min. to max.) ^{2 4}	9,800 BTU/h to 52,200 BTU/h (2.87 kW to 15.3 kW)	
Average overall efficiency ³ (Dry cordwood)	68 % (HHV) ⁵	73 % (LHV) ⁶
Optimum overall efficiency ⁷	76 %	
Optimum heat transfer efficiency ⁸	75 %	
Average particulate emissions rate ⁹	2.4 g/h (EPA / CSA B415.1-10) ¹⁰	
Average CO ¹¹	103 g/h	

¹ Recommended heating area and maximum burn time may vary subject to location in home, chimney draft, heat loss factors, climate, fuel type and other variables. The recommended heated area for a given appliance is defined by the manufacturer as its capacity to maintain a minimum acceptable temperature in the designated area in case of a power failure.

² The overall firebox calculation is an approximation and is not intended to be used for loading. This volume includes a buffer zone to allow an easier fuel insertion, prevent ash spillage and allow the air wash to work properly.

³ The maximum heat output (dry cordwood) is based on a loading density varying between 15 lb/ft³ and 20 lb/ft³. Other performances are based on a fuel load prescribed by the standard. The specified loading density varies between 7 lb/ft³ and 12 lb/ft³. The moisture content is between 19% and 25%.

⁴ As measured per CSA B415.1-10 stack loss method.

⁵ Higher Heating Value of the fuel.

⁶ Lower Heating Value of the fuel.

⁷ Optimum overall efficiency at a specific burn rate (LHV).

⁸ The optimum heat transfer efficiency is for the low burn rate and represents the appliance's ability to convert the energy contained in the wood logs into energy transferred to the room in the form of heat and does not take into account the chemical losses during combustion.

⁹ This appliance is officially tested and certified by an independent agency.

¹⁰ Tested and certified in compliance with CFR 40 part 60, subpart AAA, section 60.534(a)(1)(ii) and ASTM E3053-17. Based on EPA letter dated November 1, 2022.

¹¹ Carbon monoxide.

2.2 Specifications

Recommended log length	16 in (406 mm) east-west
Maximum log length ¹	18 in (457 mm) east-west
Flue outlet diameter	6 in (150 mm)
Recommended connector pipe diameter	6 in (150 mm)
Type of chimney	ULC-S629, UL 103 HT (2100 °F)
Minimum chimney height	12 feet
Baffle material	Vermiculite
Approved for alcove installation	Yes
Approved for mobile home installation ²	Yes
Type of door	Simple, glass with cast iron frame
Type of glass	Ceramic glass
Blower	Optional (up to 100 CFM)
Particulate emission standard ³	EPA / CSA B415.1-10
USA standard (Safety)	UL 1482, UL 737
Canada standard (Safety)	CAN/ULC-S627

¹ North-south: ends of the logs visible, East-west: sides of the logs visible.

² Mobile homes (Canada) or manufactured homes (USA): The US Department of Housing and Urban Development describes “manufactured homes” better known as “mobile homes” as follows; buildings built on fixed wheels and those transported on temporary wheels/axles and set on a permanent foundation. In Canada, a mobile home is a dwelling for which the manufacture and assembly of each component is completed or substantially completed prior to being moved to a site for installation on a foundation and connection to service facilities and which conforms to the CAN/CSA-Z240 MH standard.

³ Tested and certified in compliance with CFR 40 part 60, subpart AAA, section 60.534(a)(1)(ii) and ASTM E3053-17. Based on EPA letter dated November 1, 2022

2.3 Dimensions

2.3.1 Stove Dimensions

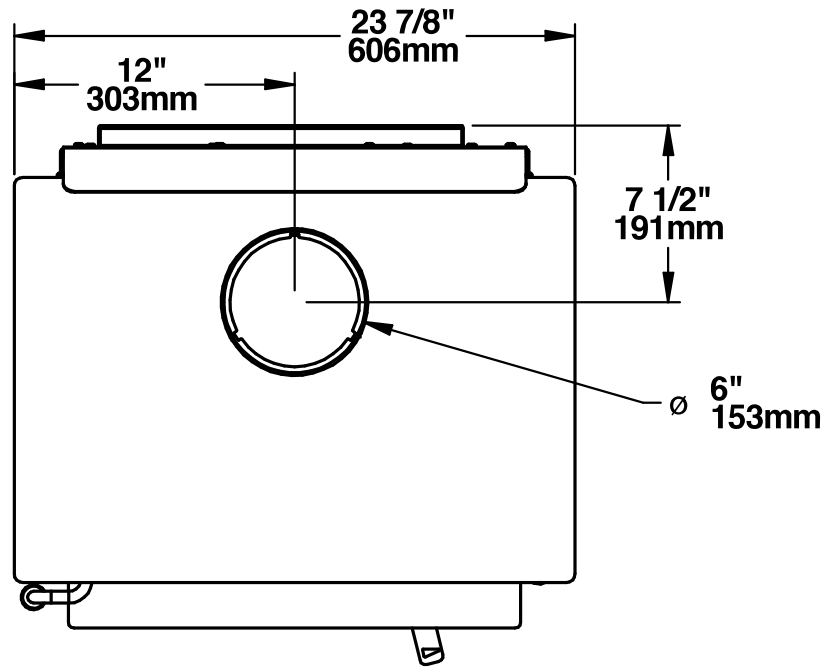


Figure 1: Top View

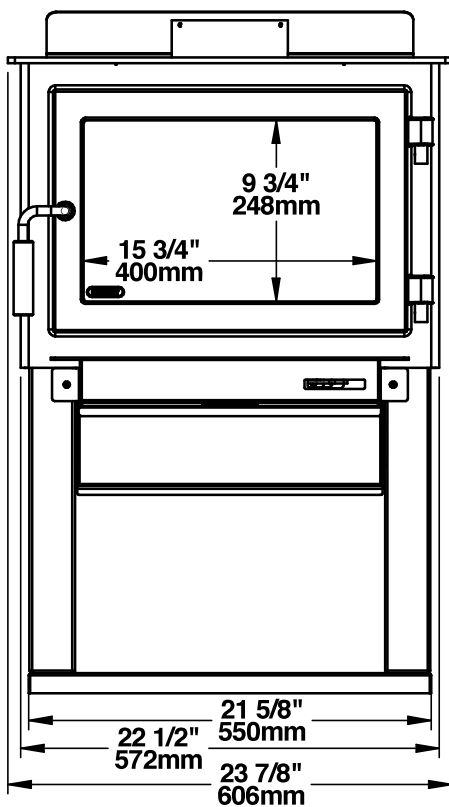


Figure 2: Front View

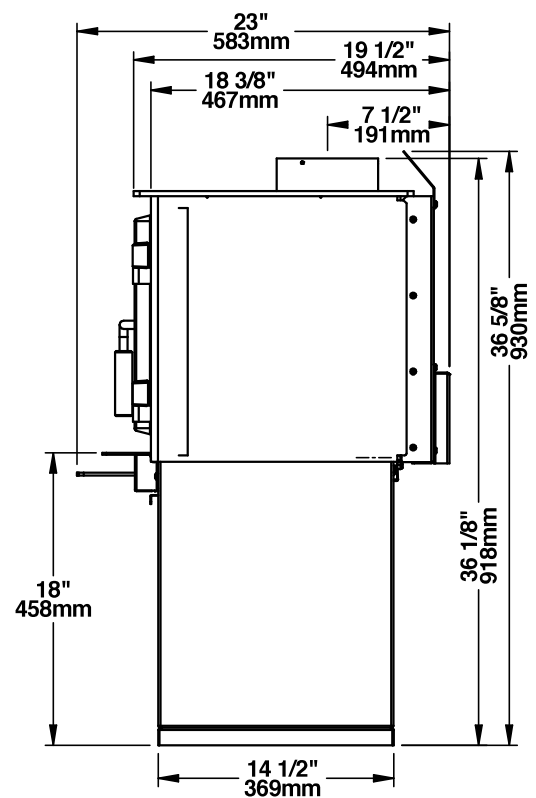


Figure 3: Side View

2.3.2 Combustion Chamber Dimensions

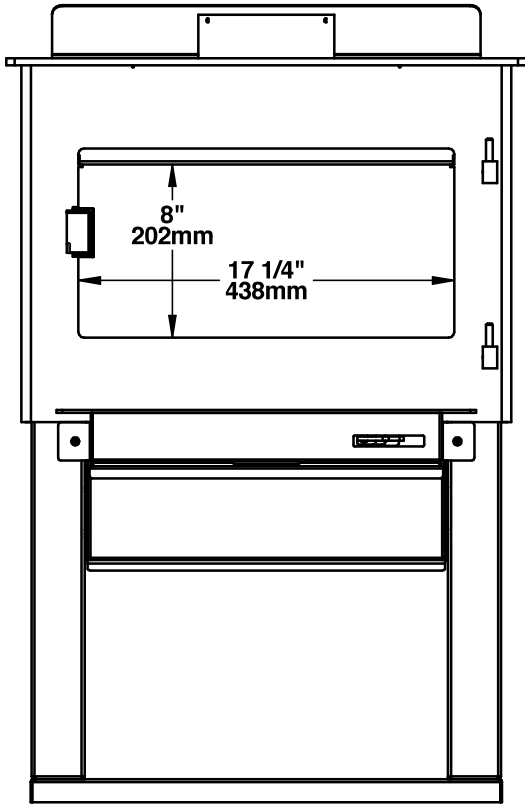


Figure 4: Door Opening

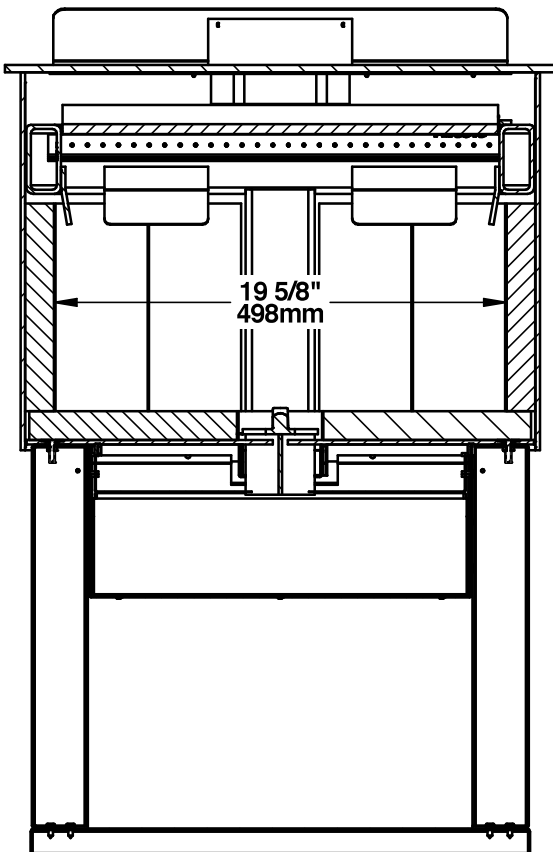


Figure 5: Front View - Combustion Chamber

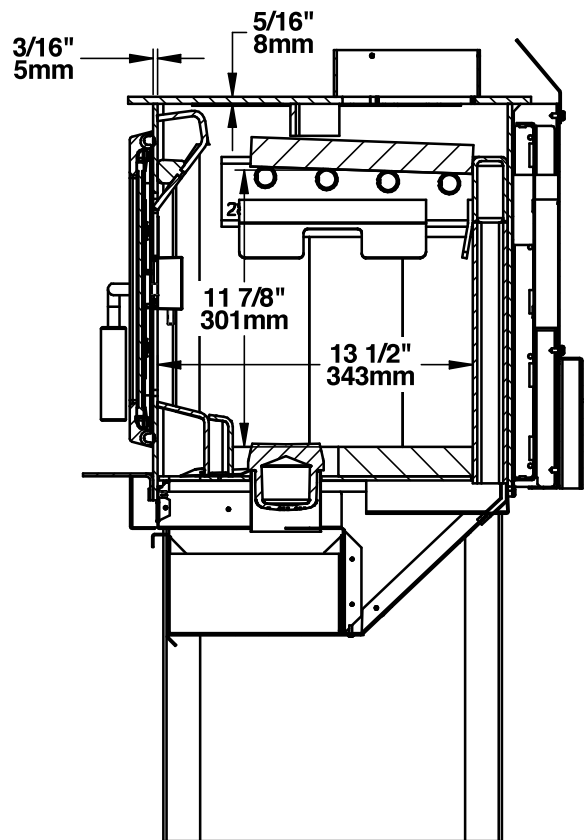


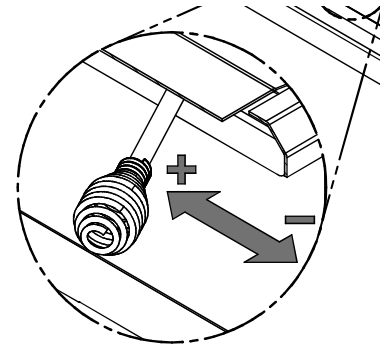
Figure 6: Side View - Combustion Chamber

2.4 EPA Loading Procedure

The best loading method for efficient and clean combustion with this fireplace is the EPA loading method. The images below show the space in the firebox where the logs are to be placed. It is important to always respect this space and not to put logs in the grid area marked with an X. The marked area is defined by the space between the glass and primary air channel. Leave enough space between the logs for good air circulation. Using more than the usable firebox volume for loading wood will result in poor combustion. The Usable firebox volume of 1.44 ft³ shown below is the one used during EPA emissions certification. The log length recommended for this stove is 16 inches and the EPA testing were done with log length of 16 in. The fuel specie used for the EPA certification was beech.

2.4.1 Air control

The air control is located underneath the ash shelf. To open the air control, push the air control handle completely to the left (High). This will increase the burn rate. To close the air control, push the air control handle completely to the right. This will permit to achieve the lowest possible burn rate.



2.4.2 High burn rate (primary air control open)

For Kindling and Start-up fuel configuration refer to the pictures below. Split the start-up fuel log into 6 pieces. Crisscross at 45 degrees the 6 pieces on the brick on 3 rows (From the bottom, first row 2 smallest-second row 2 biggest- third row 2 medium) and leaving some space between each wood pieces. Crisscross at 45 degrees the kindling on the top of the start-up fuel on 3 rows, from biggest to smallest. The kindling is made of between 12-15 small pieces that are about 10% of moisture content. Place newspaper sheets on top of the kindling. Light up the paper and let the door at 90 degrees between one minute and one minute and 30 seconds, then close the door. Air control is fully open.

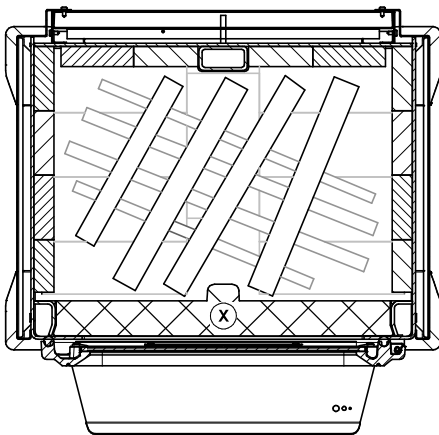


Figure 7: Start-up fuel

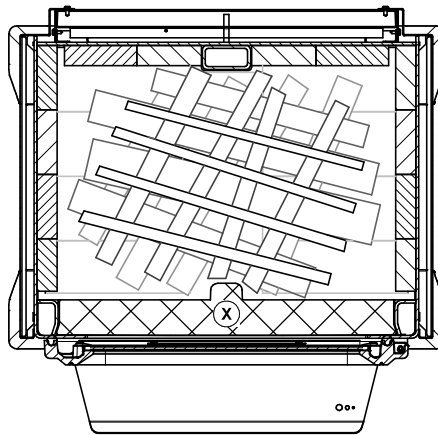


Figure 8: Kindling

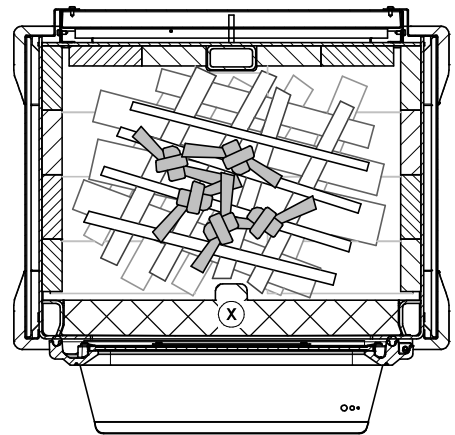


Figure 9: Newspaper

When there are only faint flames remaining and most of the wood is turned into coal, break ashes and level coal bed. Close the door.

Add High Fire load in an East-West configuration. Put 3 first pieces on the coal bed. Leave about 2 inches of air space between the rear firebrick and the first piece. See Figure 10 and 11 for an example of high burn load inside the firebox. The front (3rd) piece should stand off on the steel andirons by approximately 1-2 inches. The 2 other pieces should be added on top of the first

3, stacked in the middle, in an East-West orientation. Let the door open at 90 degrees between one minute and one minute and 30 seconds. Close the door, start the blower at maximum speed, and let burn until the weight is down to target.

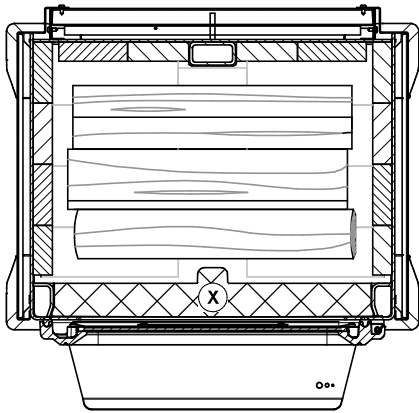


Figure 10: Position of the bottom pieces (High burn)

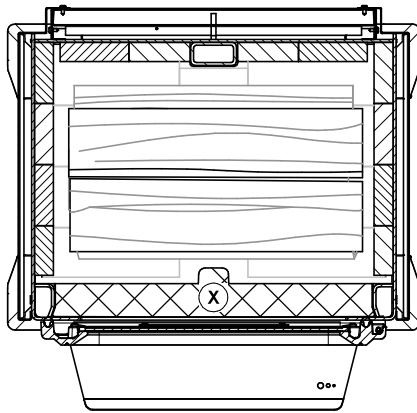


Figure 11: Position of the two top pieces (High burn)

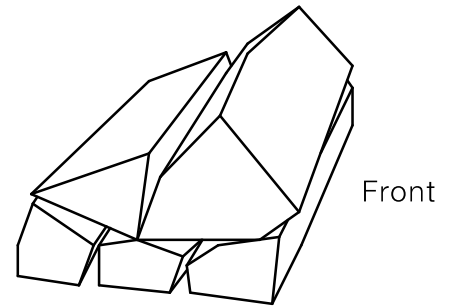


Figure 12: Example high burn load (side view)

For optimal loading of a high fire, take small to medium size fuel pieces (between 2- and 3-inches cross section dimensions approximately) on the bottom and use medium to large size fuel pieces (3.5 to 4.5 inches of cross section dimensions approximately) on top. To make sure combustion is equal, put the biggest piece on top of the first three, at the front of the firebox. See an example of high burn load in the Figure 12 above.

2.4.3 Low burn rate

After the high fire, if there is visible yellow flame, close the air control. When the charcoal bed weight is between 14 and 17% of the low fire load weight, turn off the blower, open the door, stir the coals slightly, just enough to have a level plane coal bed, and let the door remain slightly open for 1 minute before loading the low burn test fuel.

For the loading, put 3 first pieces on the coal bed in an East-West orientation. Leave approximately 1 inch of air space between the rear firebrick and the first piece. There should be air space between all pieces. The front (3rd) piece may contact the steel andirons. The 2 top pieces (fourth and fifth) should be added on top of the first 3, slightly angled (10° from the 3 wood pieces at the bottom). The distance between the logs should be approximately 1 inch. See Figure 13 and 14 for an example of low burn load inside the firebox.

For optimal low fire load, use medium to large size fuel pieces (between 4- and 5.5-inches cross section dimensions approximately) on the bottom and use small to medium size fuel pieces (2.5 to 4 inches cross section dimensions approximately) on top. To make sure combustion is equal, put the smallest piece on top of the first three, at the back of the firebox (see Figure 15 for an example of low burn load).

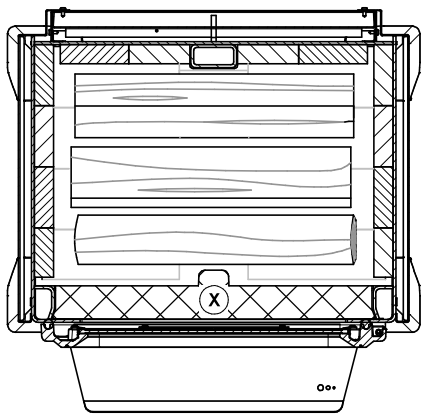


Figure 13: Position of the bottom pieces (Low burn)

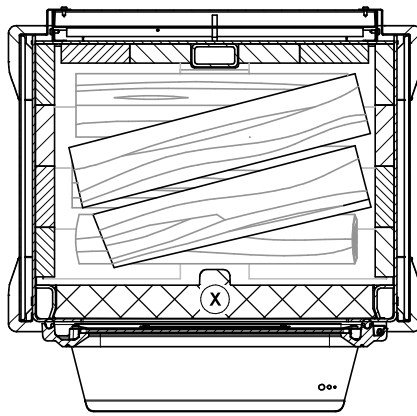


Figure 14: Position of the two top pieces (Low burn)

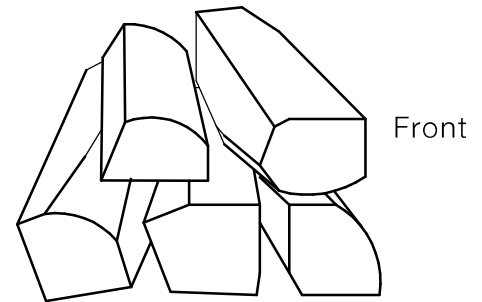


Figure 15: Example low burn load (side view)

Let the door ajar at 90° until the flames roll on top of the fuel (between 2:00 and 4:00 minutes) and then close the door with the primary air control open. See picture below for rolling flame:



Close the primary air control by small increments (ex: 1/16 of an inch), from ½” to fully closed, between 4 and 15 minutes after the loading period. Before closing further, make sure the flame intensity is increasing or stable. Close the air control completely. Turn ON the blower at maximum speed.

2.4.4 Medium burn rate

After the high fire, if there is visible yellow flame, close the air control. When the charcoal bed weight is between 14 and 17% of the medium fire load weight, turn off the blower, open the door, stir the coals slightly, just enough to have a level plane coal bed, and let the door remain slightly open for 1 minute before loading the medium burn test fuel.

For the loading, put 3 first pieces on the coal bed in an East-West orientation. Leave about 1 to 2 inches of air space between the rear firebrick and the first piece. The front (3rd) piece should stand off from the steel andirons by approximately 1 inch. The 2 top pieces (fourth and fifth) should be added on top of the first 3, slightly angled (10° from horizontal, top view). The distance between the logs should be approximately 1 inch. See Figure 16 and 17 for an example of medium burn load inside the firebox.

For optimal medium fire load, use medium to large size fuel pieces (between 4- and 5.5-inches cross section dimensions approximately) on the bottom and use small to medium size fuel pieces (2.5 to 4 inches cross section dimensions approximately) on top. To make sure combustion is

equal, put the smallest piece on top of the first three, at the back of the firebox (see Figure 18 for an example of medium burn load).

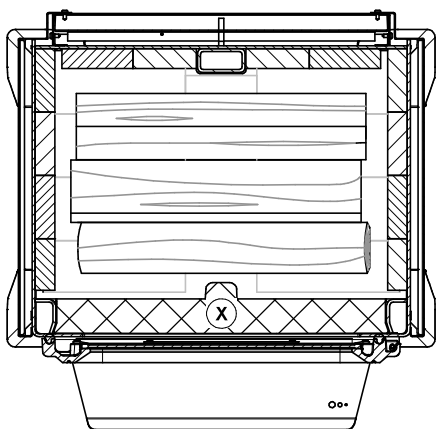


Figure 16: Position of the bottom pieces (Medium burn)

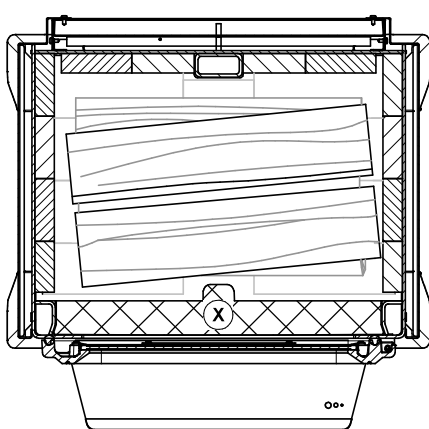


Figure 17: Position of the two top pieces (Medium burn)

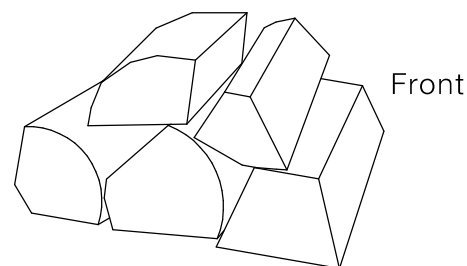


Figure 18: Example medium burn load (side view)

Let the door ajar at 90° until the flames roll on top of the fuel (between 2:30 and 5:00) and then close the door with the primary air control open. See picture below for rolling flame:



Close the primary air control by small increments (ex: 1/16 of an inch) until reaching the mid-point of air control position, between 4 and 15 minutes after the loading period. Before closing further, make sure the flame intensity is increasing or stable. Turn ON the blower at maximum speed.

3. Clearances to Combustible Material

The clearances shown in this section have been determined by tests according to procedures set out in safety standards CAN/ULC S627 (Canada), UL 1482 (U.S.A.) and UL 737 (U.S.A.). When the stove is installed so that its surfaces are at or beyond the minimum clearances specified, combustible surfaces will not overheat under normal and even abnormal operating conditions.

No part of the stove or flue pipe may be located closer to combustibles than the minimum clearance figures given.

Clearances may only be reduced by means approved by the regulatory authority.

The clearances to combustible walls may be slightly different in Canada and the U.S.A. and may also differ depending on whether single or double wall flue pipe is used. Make sure to choose the correct clearance for the stove location and type of flue pipe.

The clearances of the appliance and the flue pipes must be met individually, meaning the appliance cannot be installed closer to the combustible materials than the single or double wall pipe allows. For a safe way to reduce clearances refer to section "5. Reducing Wall and Ceiling Clearances Safely" of this manual.

3.1 Clearances

	APPLIANCE CLEARANCES WITH SINGLE WALL PIPE CONNECTOR	
	Canada	USA
A	14 ½" (368 mm)	13" (330 mm)
B	16" (406 mm)	15" (381 mm)
C	12" (305 mm)	12" (305 mm)

	APPLIANCE CLEARANCES WITH DOUBLE WALL PIPE CONNECTOR	
	Canada	USA
A	7 ½" (191 mm)	7 ½" (191 mm)
B	16" (406 mm)	15" (381 mm)
C	12" (305 mm)	12" (305 mm)

If the above clearances are met, then the distances measured from the flue outlet will be:

	DISTANCES ¹ FROM PIPE CONNECTOR WITH SINGLE WALL PIPE CONNECTOR	
	Canada	USA
D	18" (457 mm)	16 ½" (419 mm)
E	25" (635 mm)	24" (610 mm)
F	20 ¾" (527 mm)	20 ¾" (527 mm)

	DISTANCES ¹ FROM PIPE CONNECTOR WITH DOUBLE WALL PIPE CONNECTOR	
	Canada	USA
D	11 ½" (292 mm)	11 ½" (292 mm)
E	25" (635 mm)	24" (610 mm)
F	20 ¾" (527 mm)	20 ¾" (527 mm)

¹ The pipe distances listed in this table refer to the distances obtained when the stove is installed in accordance with the appliance clearances above mentioned.

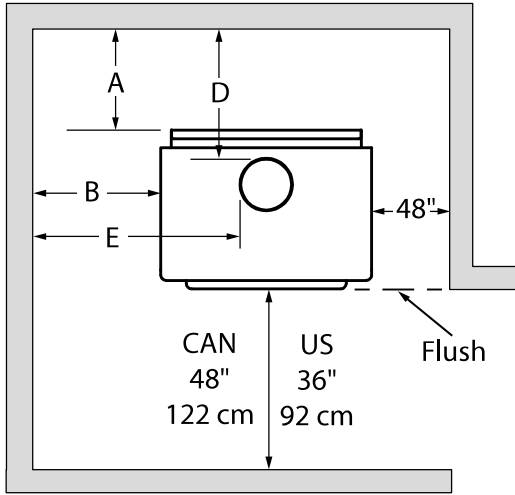


Figure 19: Clearances - Top

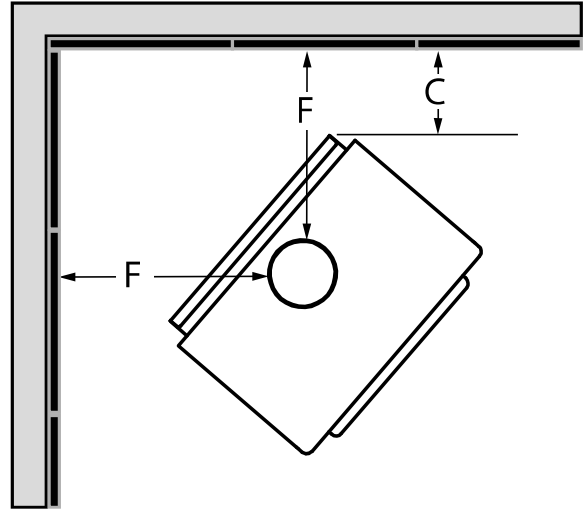


Figure 20: Clearances - Corner

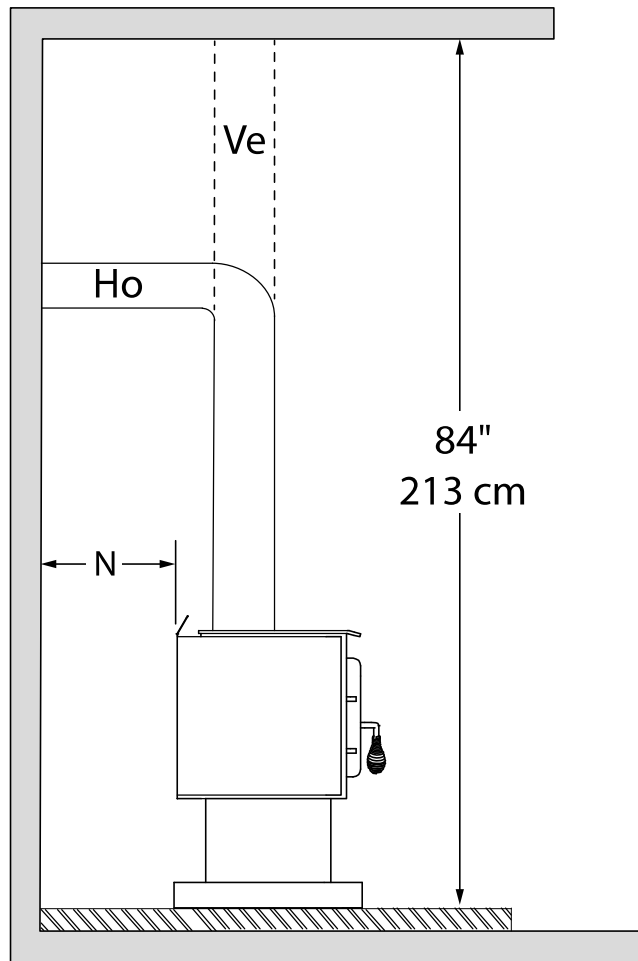


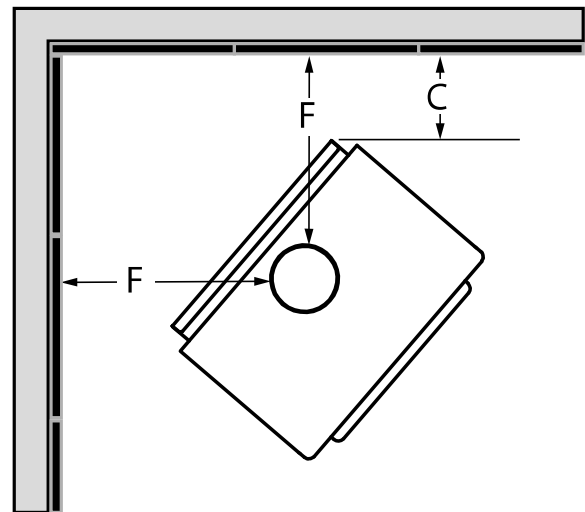
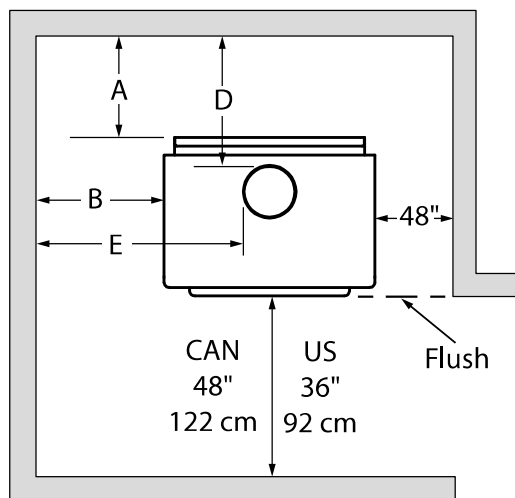
Figure 21: Clearances - Side

3.1.1 With Heat Shield AC02762¹

To reduce the clearances of an appliance using a single wall pipe connector, the use of a heat shield certified with the single wall pipe connector to be used as close as 6" from combustible materials must be used. Only in this case, the same clearances as a certified double wall pipe connector can be used. Refer to the booklet in the screen options to obtain the dimensions to be respected.

	APPLIANCE CLEARANCES WITH DOUBLE WALL PIPE CONNECTOR	
	Canada	USA
A	3" (76 mm)	3" (76 mm)
B	5" (127 mm)	5" (127 mm)
C	3" (76 mm)	3" (76 mm)

	DISTANCES ² FROM DOUBLE WALL PIPE CONNECTOR	
	Canada	USA
D	6 ½" (165 mm)	6 ½" (165 mm)
E	14" (356 mm)	14" (356 mm)
F	11 ¾" (298 mm)	11 ¾" (298 mm)



If the clearance reduction is on the same side as the door handle, position the stove at a minimum of 6 inches from the side wall (clearance B), otherwise it may be located at the clearance shown in the table above.

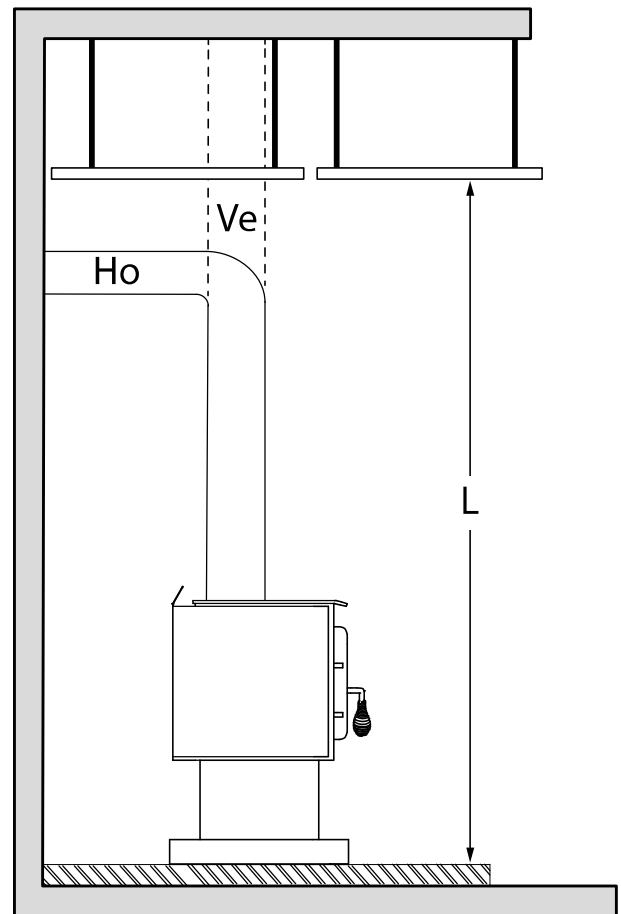
¹ Note that to reduce the clearances of an appliance using a single wall pipe connector, the use of a heat shield certified with the single wall pipe connector to be used as close as 6" from combustible materials must be used. Only in this case, the same clearances as a certified double wall pipe connector can be used.

² The pipe distances listed in this table refer to the distances obtained when the stove is installed in accordance with the appliance clearances above mentioned.

3.1.2 With Lowered Ceiling

	APPLIANCE CLEARANCES WITH SINGLE WALL PIPE CONNECTOR	
	Canada	USA
A	14 ½" (368 mm)	14 ½" (368 mm)
B	19" (483 mm)	19" (483 mm)
C	13" (330 mm)	13" (330 mm)
L	78" (1981 mm)	78" (1981 mm)

	APPLIANCE CLEARANCES WITH DOUBLE WALL PIPE CONNECTOR	
	Canada	USA
A	8" (203 mm)	8" (203 mm)
B	19" (483 mm)	19" (483 mm)
C	13" (330 mm)	13" (330 mm)
L	78" (1981 mm)	78" (1981 mm)



If the above clearances are met, then the distances measured from the flue outlet will be:

	DISTANCES ¹ FROM PIPE CONNECTOR WITH SINGLE WALL PIPE CONNECTOR	
	Canada	USA
D	18" (457 mm)	18" (457 mm)
E	28" (711 mm)	28" (711 mm)
F	21 ¾" (552 mm)	21 ¾" (552 mm)

	DISTANCES ¹ FROM PIPE CONNECTOR WITH DOUBLE WALL PIPE CONNECTOR	
	Canada	USA
D	11 ½" (292 mm)	11 ½" (292 mm)
E	28" (711 mm)	28" (711 mm)
F	21 ¾" (552 mm)	21 ¾" (552 mm)

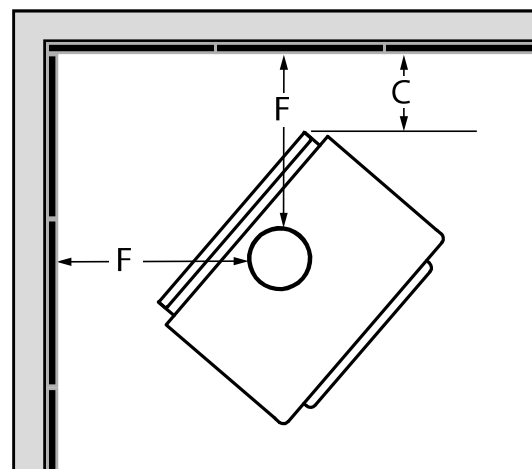
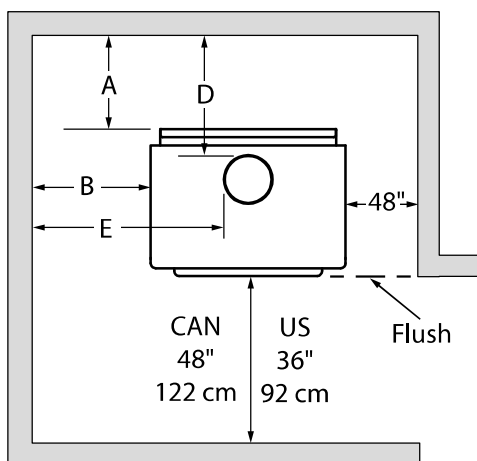
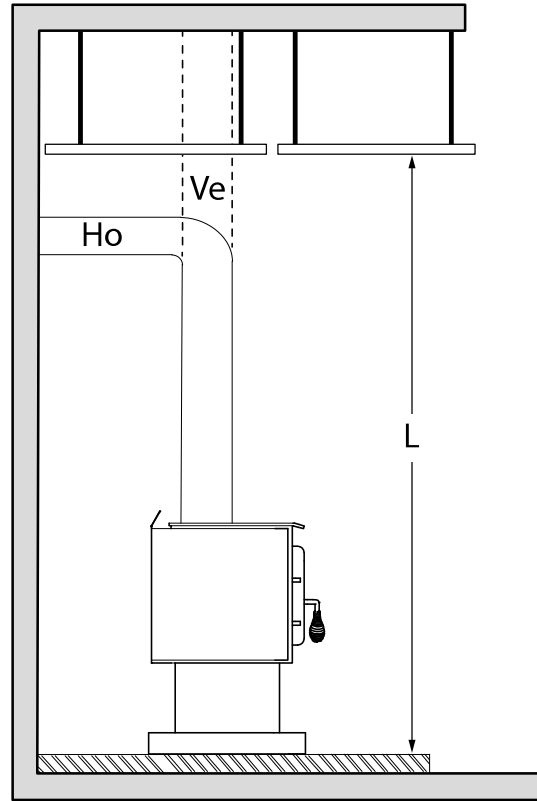
¹ The pipe distances listed in this table refer to the distances obtained when the stove is installed in accordance with the appliance clearances above mentioned.

3.1.3 With Heat Shield AC02762 and Lowered Ceiling

To reduce the clearances of an appliance using a single wall pipe connector, the use of a heat shield certified with the single wall pipe connector to be used as close as 6" from combustible materials must be used. Only in this case, the same clearances as a certified double wall pipe connector can be used. Refer to the booklet in the screen options to obtain the dimensions to be respected.

	APPLIANCE CLEARANCES WITH DOUBLE WALL PIPE CONNECTOR	
	Canada	USA
A	2 ½" (64 mm)	2 ½" (64 mm)
B	2 ½" (64 mm)	2 ½" (64 mm)
C	2 ½" (64 mm)	2 ½" (64 mm)
L	78" (1981 mm)	78" (1981 mm)

	DISTANCES ¹ FROM PIPE CONNECTOR WITH DOUBLE WALL PIPE CONNECTOR	
	Canada	USA
D	6" (152 mm)	6" (152 mm)
E	11 ½" (292 mm)	11 ½" (292 mm)
F	11 ¼" (286 mm)	11 ¼" (286 mm)



If the clearance reduction is on the same side as the door handle, position the stove at a minimum of 6 inches from the side wall (clearance B), otherwise it may be located at the clearance shown in the table above.

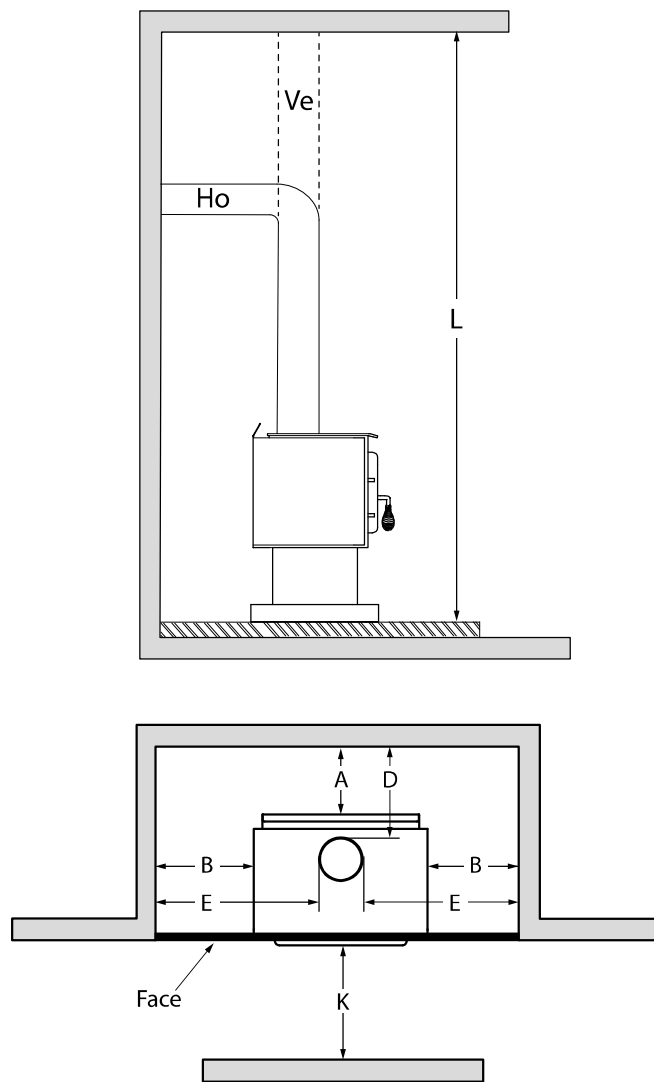
¹ The pipe distances listed in this table refer to the distances obtained when the stove is installed in accordance with the appliance clearances above mentioned.

3.1.4 Inside a Combustible Alcove

See section 3.1 for the single wall pipe installation.

	APPLIANCE CLEARANCES WITH DOUBLE WALL PIPE CONNECTOR	
	Canada	USA
A	8" (203 mm)	8" (203 mm)
B	19" (483 mm)	19" (483 mm)
K	48" (1219 mm)	48" (1219 mm)
L	78" (1981 mm)	78" (1981 mm)

	DISTANCES ¹ FROM PIPE CONNECTOR WITH DOUBLE WALL PIPE CONNECTOR	
	Canada	USA
D	11 ½" (292 mm)	11 ½" (292 mm)
E	28" (711 mm)	28" (711 mm)



3.1.5 Mobile Home

It is strictly **forbidden** to install a unit with a **single wall pipe** in a **mobile home**.

	APPLIANCE CLEARANCES WITH DOUBLE WALL PIPE CONNECTOR	
	Canada	USA
A	10" (254 mm)	10" (254 mm)
B	20" (508 mm)	20" (508 mm)
C	12" (305 mm)	12" (305 mm)

	DISTANCES ¹ FROM PIPE CONNECTOR WITH DOUBLE WALL PIPE CONNECTOR	
	Canada	USA
D	13 ½" (343 mm)	13 ½" (343 mm)
E	29" (737mm)	29" (737mm)
F	20 ¾" (527 mm)	20 ¾" (527 mm)

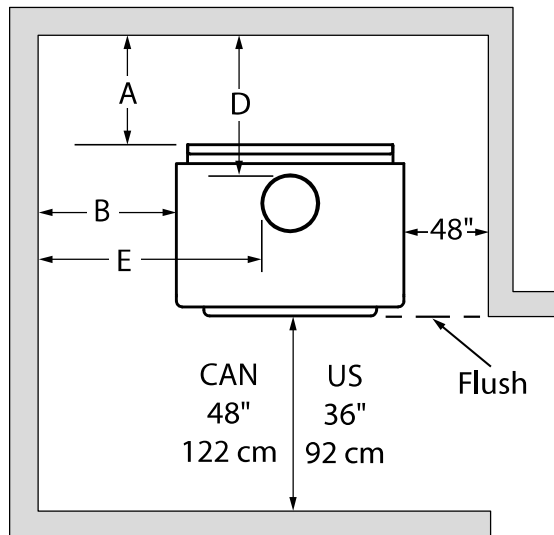
¹ The pipe distances listed in this table refer to the distances obtained when the stove is installed in accordance with the appliance clearances above mentioned.

3.1.6 Mobile Home With Heat Shield AC02762

It is strictly **forbidden** to install a unit with **a single wall pipe** in a **mobile home**.

	APPLIANCE CLEARANCES WITH DOUBLE WALL PIPE CONNECTOR	
	Canada	USA
A	3" (76 mm)	3" (76 mm)
B	5" (127 mm)	5" (127 mm)
C	3" (76 mm)	3" (76 mm)

	DISTANCES ¹ FROM PIPE CONNECTOR WITH DOUBLE WALL PIPE CONNECTOR	
	Canada	USA
D	6 ½" (165 mm)	6 ½" (165 mm)
E	14" (356 mm)	14" (356 mm)
F	11 ¾" (298 mm)	11 ¾" (298 mm)



¹ Les distances de tuyau listées dans ce tableau se réfèrent aux distances obtenues lorsque le poêle est installé en accord avec les dégagements de l'appareil mentionnés ci-dessus.

4. Floor Protection

This stove is meeting the requirements of CAN/ULC-S627 and is suitable for installation on a combustible floor. However, it must be placed on a non-flammable surface to protect the floor from hot embers that may fall during loading.

The floor protection must be a continuous, non combustible material, such as steel with a minimum thickness of 0.015" (0.38 mm) or ceramic tiles sealed together with grout. Cement board, brick, or any other approved or listed material suited for floor protection. No R factor required.

Any type of tile will require a continuous non combustible sheet beneath to prevent the possibility of embers falling through to the combustible floor if cracks or separation should occur in the finished surface. Check local codes for approved alternatives.

No protection is required if the unit is installed on a non-combustible floor (ex: concrete).

	FLOOR PROTECTION	
	Canada ¹	USA
G²	8" (203 mm)	N/A
H	8" (203 mm)	N/A
I	18" (457 mm) From door opening	16" (406 mm) From door opening
J	N/A	8" (203 mm)
K	39 7/8" (1013 mm)	31 3/4" (806 mm)
N³	N/A	See note 3
S	45 1/2" (1156 mm)	35 1/2" (902 mm)
T	32 1/4" (819 mm)	25 1/8" (638 mm)
U	39 7/8" (1013 mm)	31 3/4" (806 mm)
V	65 1/2" (1664 mm)	51 3/8" (1305 mm)

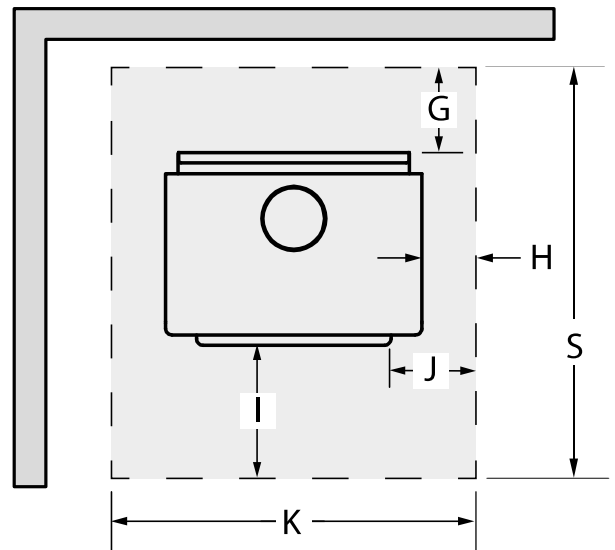
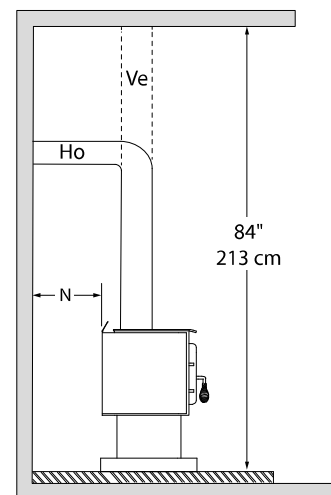
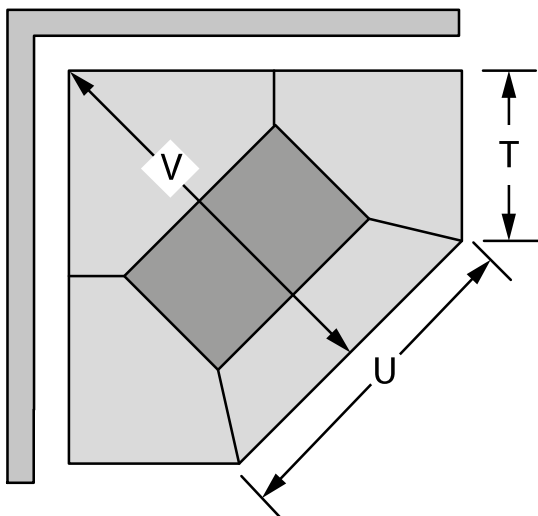


Figure 22: Floor Protection



¹ In Canada, to comply with CSA B365, Installation Code for Solid-Fuel-Burning Appliances and Equipment, any combustible covering beneath the appliance and/or within the area extending horizontally at least 450 mm (18 in) beyond the appliance on any side equipped with a door, and at least 200 mm (8 in) beyond the appliance on other sides, shall be protected by a continuous, durable, non-combustible pad that will ember protection. The 450 mm (18 in) ember protection required on any side with a door shall extend for the full width of the appliance plus the 200 mm (8 in) required on each side of the appliance without a door. Where the appliance is installed less than 200 mm (8 in) from a wall, the ember pad need only extend to the base of the wall. An ember pad shall not be placed on top of a carpet unless the pad is structurally supported to prevent displacement and distortion.

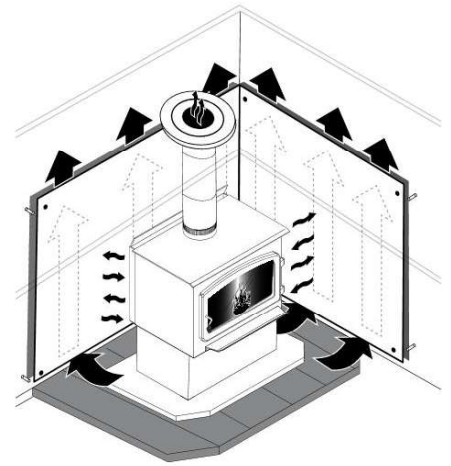
² The floor protection at the back of the stove is limited to the stove's required clearance if such clearance is smaller than 8 inches (203 mm).

³ Only required under the horizontal section (Ho) of the connector. Must exceed each side of the connector by at least 2 inches (51 mm).

5. Reducing Wall and Ceiling Clearances Safely

It is often desired to use as little space as possible when installing a wood stove. To do this, it is possible to reduce the clearances safely and install the stove closer to the walls by permanently installing a heat shield between the stove and the flammable material.

The rules for heat shields are sometimes complicated. Read and apply the instructions carefully. Some regions may have different regulations. Consult the local building code or contact the fire department for restrictions, inspection and installation requirements in the area.



Warning: To reduce the clearances of an appliance using a single wall pipe connector, the use of a heat shield certified with the single wall pipe connector to be used as close as 6" from combustible materials must be used. Only in this case, the same clearances as a certified double wall pipe connector can be used. Refer to the booklet in the screen options to obtain the dimensions to be respected.

5.1 Shield Construction Rules

- Adhesives used in shield construction must not ignite or lose adhesive qualities at temperatures likely to be encountered.
 - Mounting hardware which extends from the shield surface into combustibles may be used only at the edges of the shield.
 - Mounting hardware must allow full vertical ventilation.
- A) Minimum clearance between the appliance top and an unshielded combustible ceiling: 43 7/8" (1114 mm)
 - B) Shield extension above the appliance: 20" (500 mm)
 - C) Minimum space behind the shield: 1" (25 mm). In Canada 7/8" (21 mm)
 - D) Clearance along the bottom of the shield: minimum 1" (25 mm) and maximum 3" (75 mm)
 - E) Minimum clearance along the top of the shield: 3" (75 mm)
 - F) Mounting hardware must not be located closer than 8" (200 mm) from the vertical centre line of the appliance.
 - G) Edge clearance for ceiling shields to side and back walls: 3" (75 mm)
 - H) Shield extension beyond each side of the appliance: 18" (450 mm)

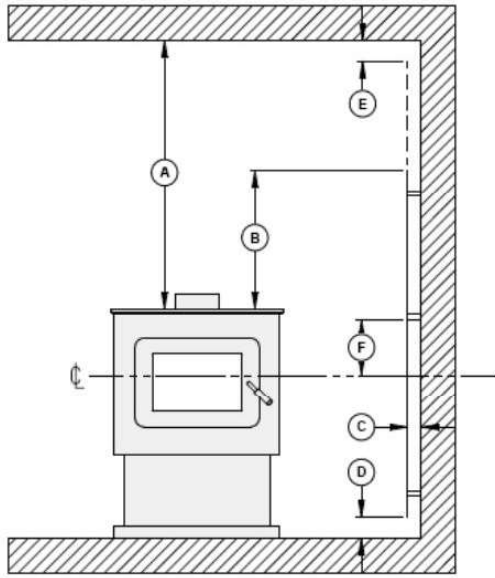


Figure 23: Heat shield clearances

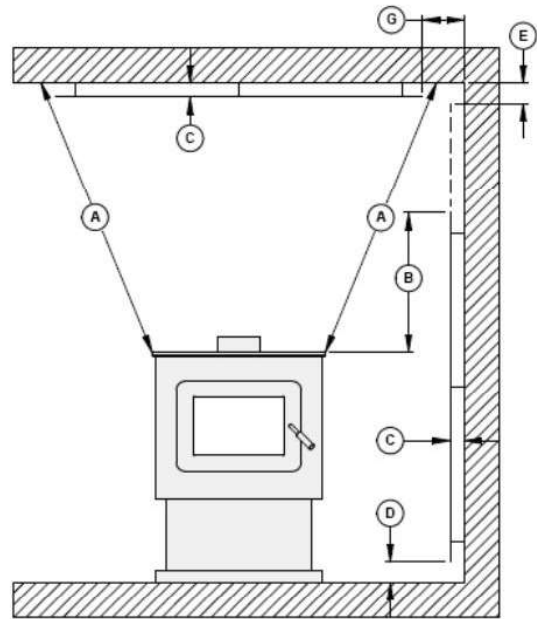


Figure 24: Heat shield clearances

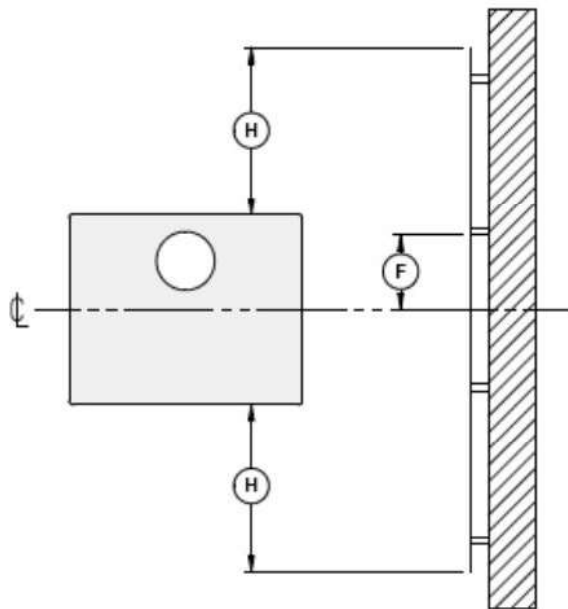


Figure 25: Heat shield clearances

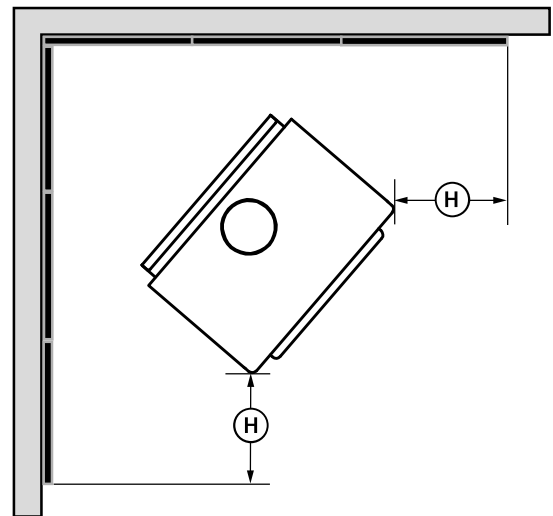
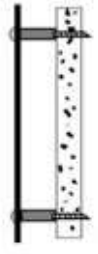

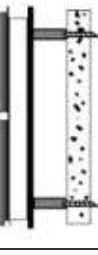




Figure 26: Heat shield clearances

TYPE OF SHIELD	CLEARANCES MAY BE REDUCED BY THESE PERCENTAGES				
	SIDES AND REAR		TOP (CEILING)		
	CAN / USA (%)	USA MIN.	CAN / USA (%)	USA MIN.	
Sheet metal, a minimum of 24 gauge (0.61 mm) in thickness , spaced out at least 1" (25 mm)* by non-combustible spacers	67	12" (305 mm)	50	18" (457 mm)	
Ceramic tiles, or equivalent non-combustible material, on non-combustible board spaced out at least 1" (25 mm)* by non-combustible spacers	50	18" (457 mm)	33	24" (610 mm)	
Ceramic tiles, or equivalent non-combustible material, on non-combustible board, with a minimum of 24 gauge (0.61 mm) sheet metal backing spaced out at least 1" (25 mm)* by non-combustible spacers	67	12" (305 mm)	50	24" (610 mm)	
Brick, spaced out at least 1" (25 mm)* by non-combustible spacers	50	18" (457 mm)	N/A	N/A	
Brick, with a minimum of 24 gauge (0.61 mm) sheet metal backing, spaced out at least 1" (25 mm)* by non-combustible spacers	67	12" (305 mm)	N/A	N/A	

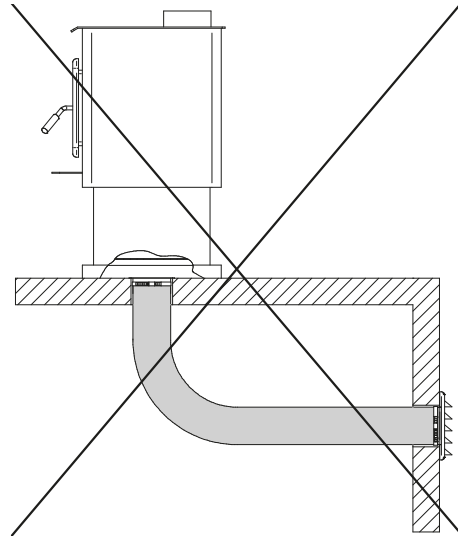
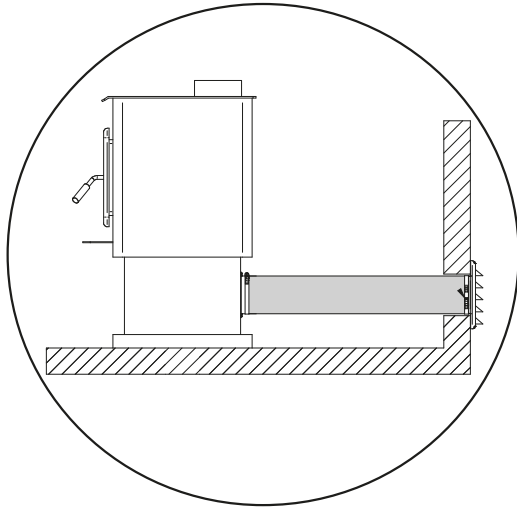
* In Canada this space can be 7/8" (21 mm)

6. INSTALLATION OF OPTIONS ON YOUR PRODUCT

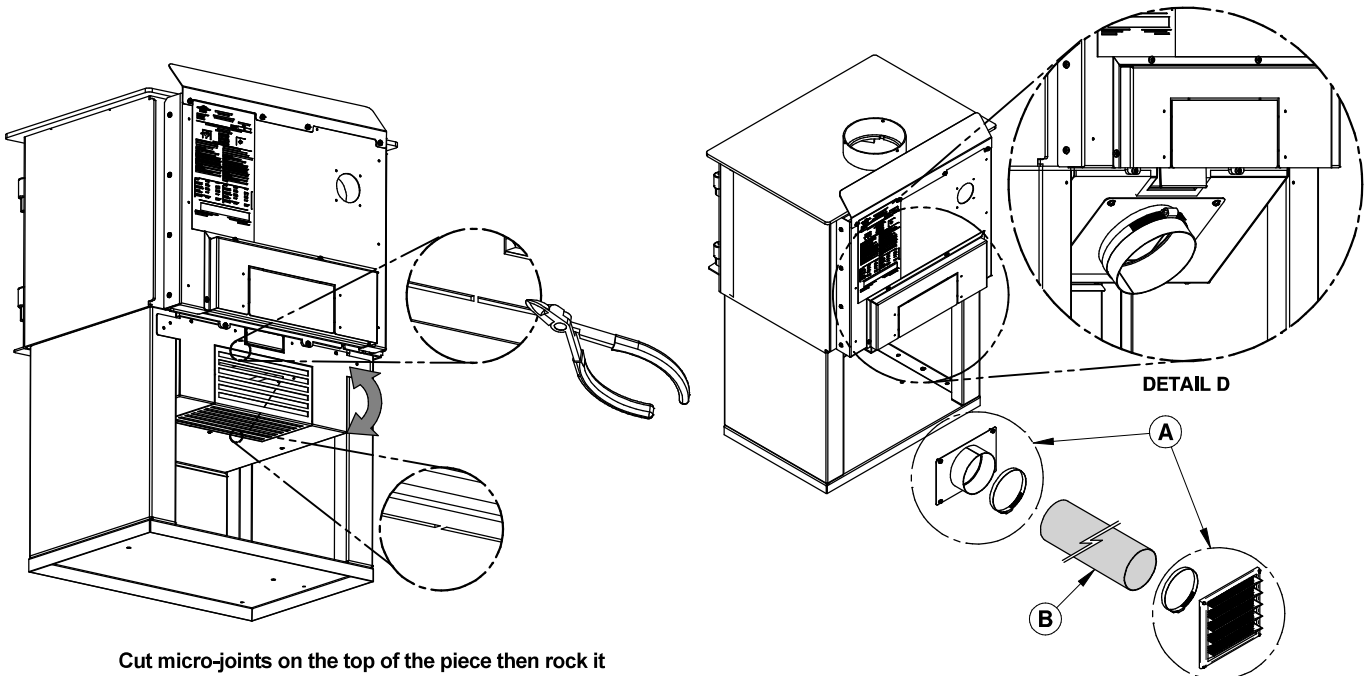
6.1 Optional Fresh Air Intake Kit Installation



The configuration of this appliance do not allow the air intake to be installed underneath the pedestal. It can only be installed on the back.



This mobile home approved stove requires the installation of a fresh air intake kit **(A)** and an insulated fresh air intake pipe (HVAC type, must meet ULC S110 or UL 181 class 0 or class 1) **(B)**, sold separately. Refer to air intake kit installation instructions for more details.



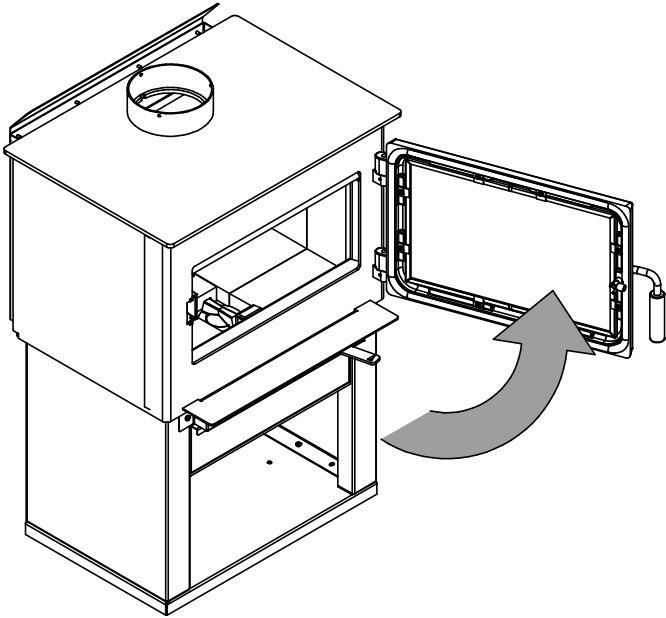
Cut micro-joints on the top of the piece then rock it from top to bottom top detach the bottom microseals.

6.2 Optional Fire Screen Installation

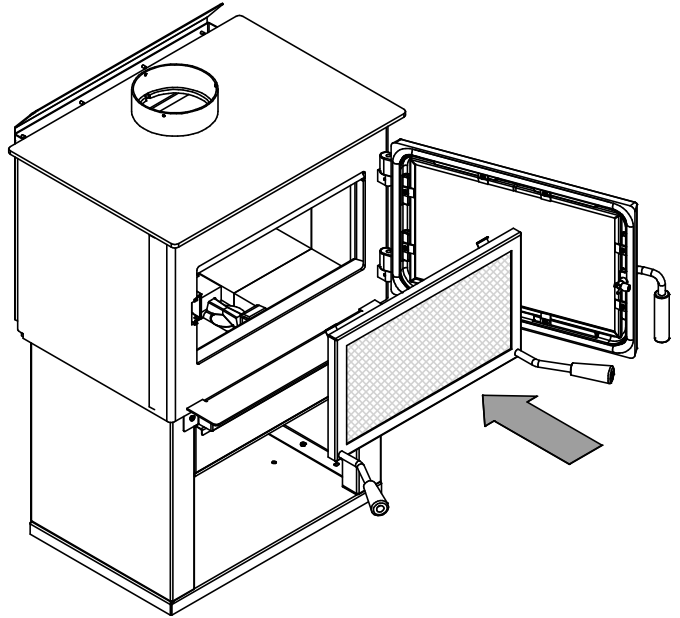
In the United States or in provinces with a particulate emission limit (eg. US EPA), the use of wood stoves with the door open with a rigid firescreen is prohibited.

It is prohibited to use this wood stove with a fire screen in a mobile home.

1. Open the door.

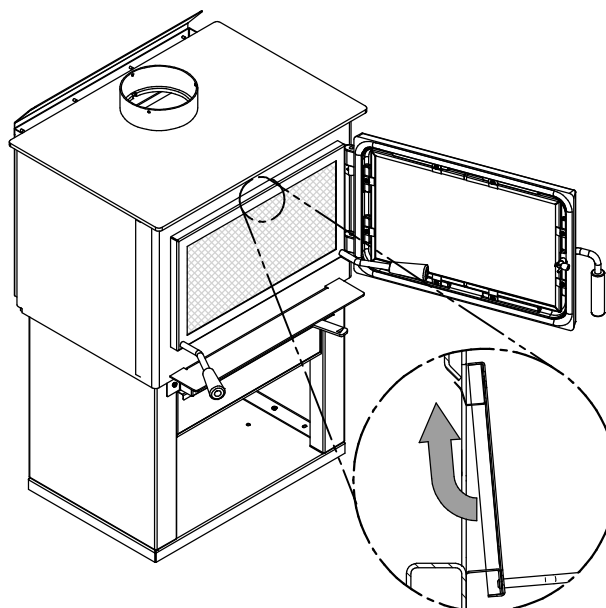


2. Hold the fire screen by the two handles and bring it close to the door opening.



3. Lean the upper part of the fire screen against the top door opening making sure to position the top fire screen brackets behind the primary air deflector.
4. Lift the fire screen upwards and push the bottom part towards the stove then let the fire screen rest on the bottom of the door opening.

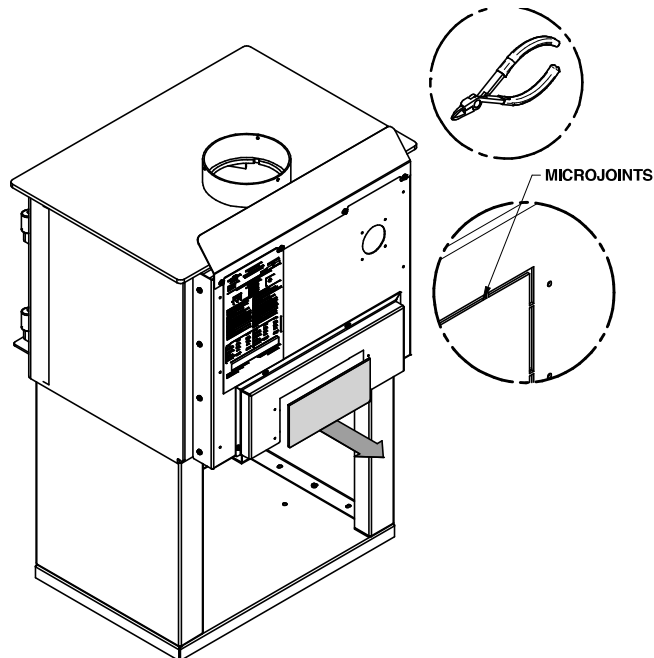
Warning: Never leave the stove unattended while in use with the fire screen.



6.3 Optional Blower Installation

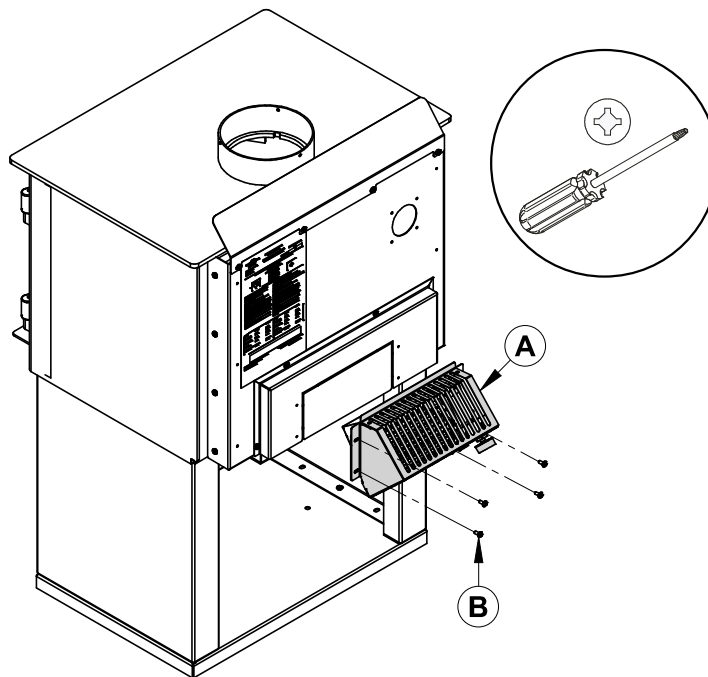
A blower, sold separately, can be installed on the stove.

1. Remove the backplate by cutting the knockouts with pliers.



2. Screw the blower (A) in place using the screws (B) included in the installation manual.

Ensure that the blower's power cord is not in contact with any surface of the stove to prevent electrical shock or fire damage. Do not run the power cord beneath the stove

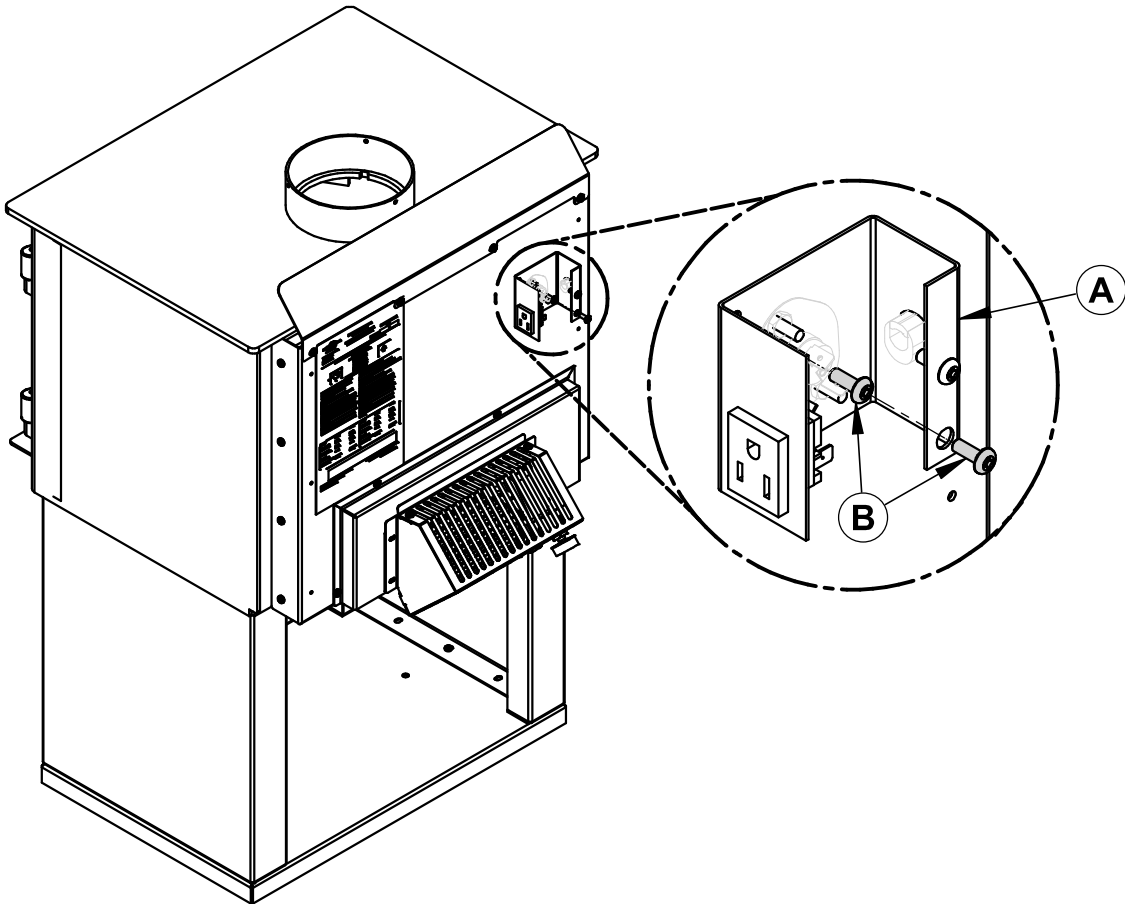


6.4 Optional Thermodisc Installation

A thermodisc, sold separately, can be installed with the blower. It allows the blower to operate only when the stove is hot enough. See the instructions provided with the thermodisc for more details.

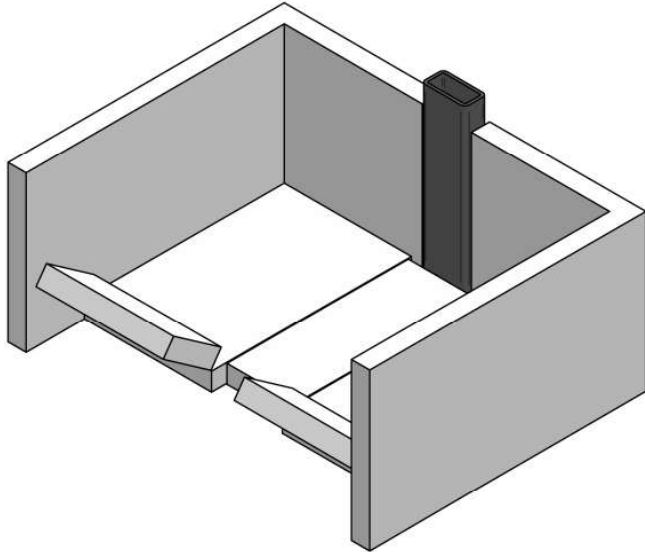
1. Screw the thermodisc **(A)** with the screws **(B)** provided on the back of the stove.

The electrical cord of the thermodisc should not touch any surface of the stove to avoid electric shock or fire. Do not run the power cord under the stove.

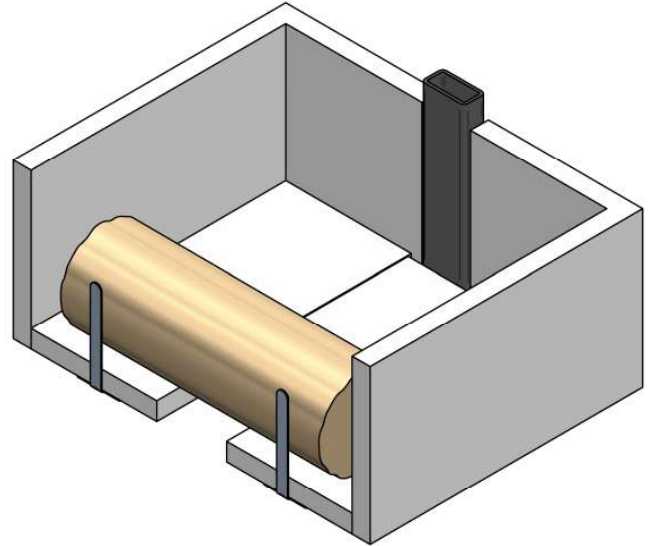


6.5 Log Retainers Installation

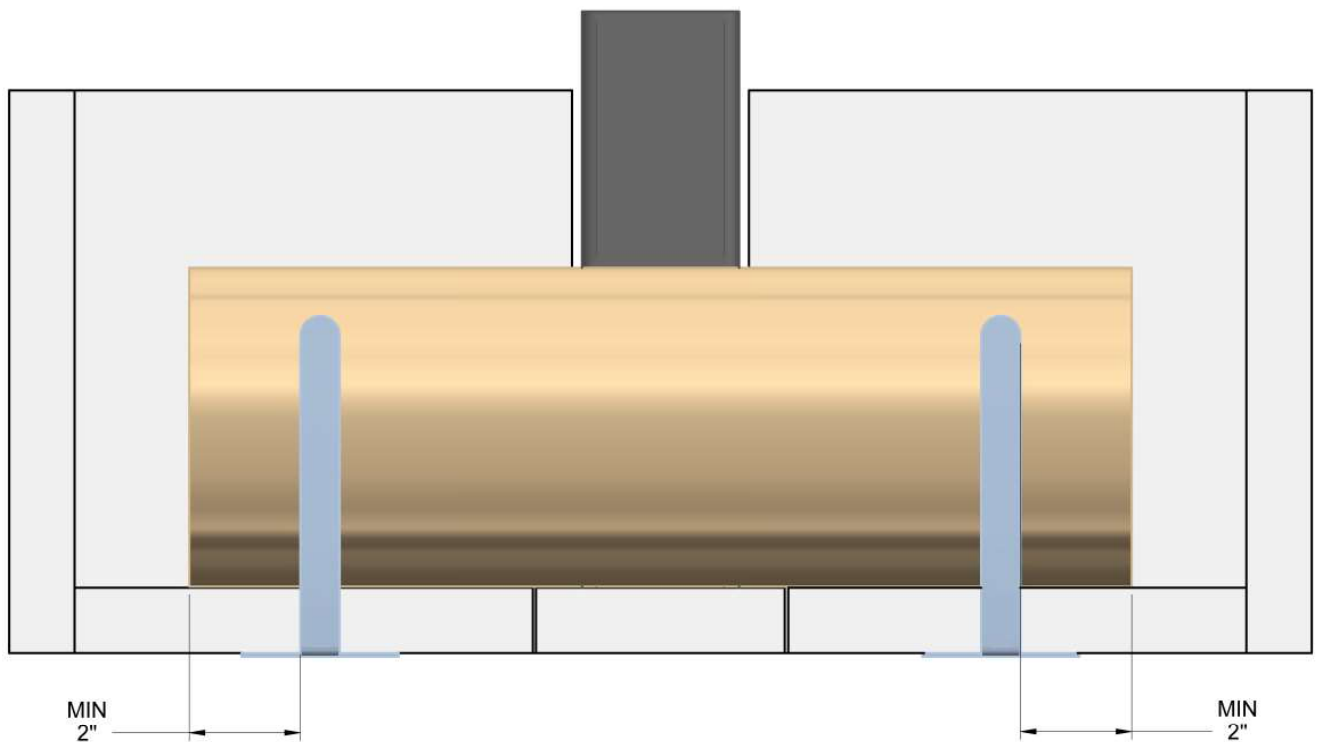
1.



2.



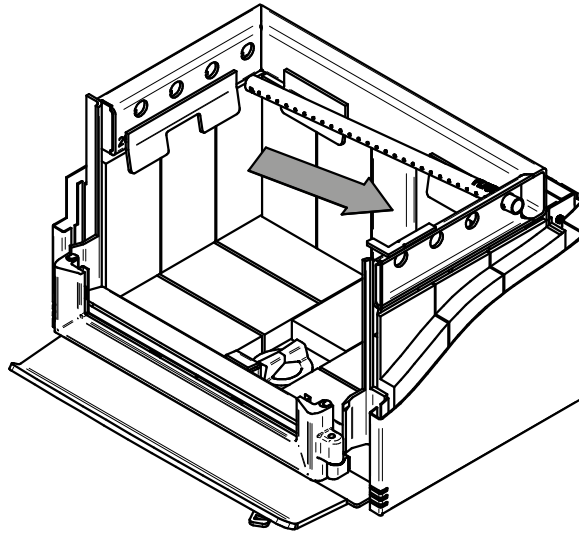
3.



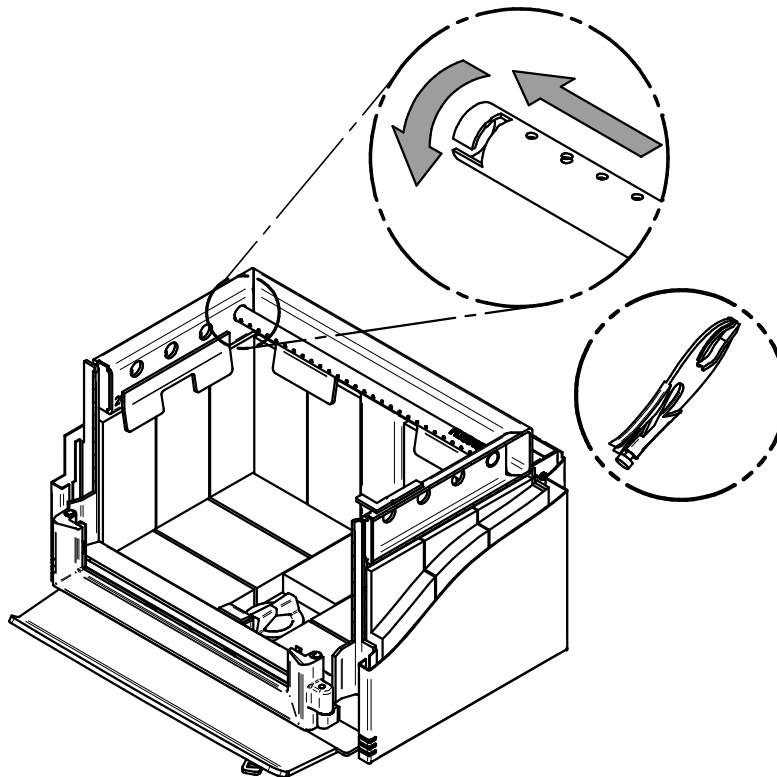
ENGLISH

6.6 Air Tubes And Baffle Installation

1. Starting with the rear tube, lean and insert the right end of the secondary air tube into the rear right channel hole. Then lift and insert the left end of the tube into the rear left channel.

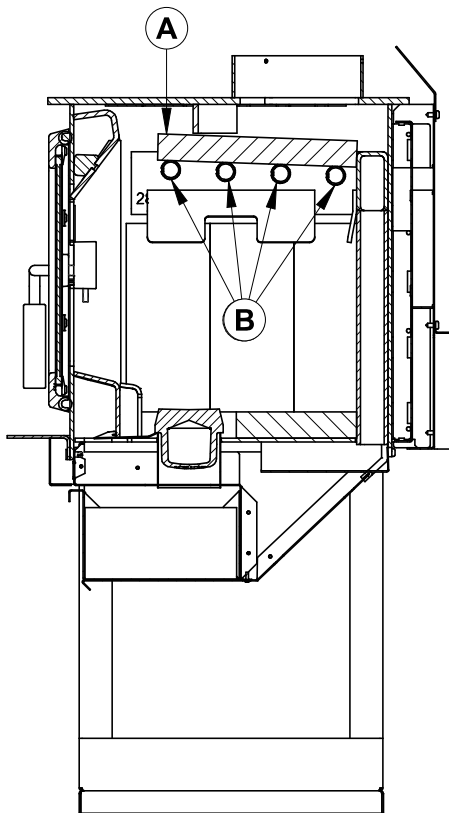
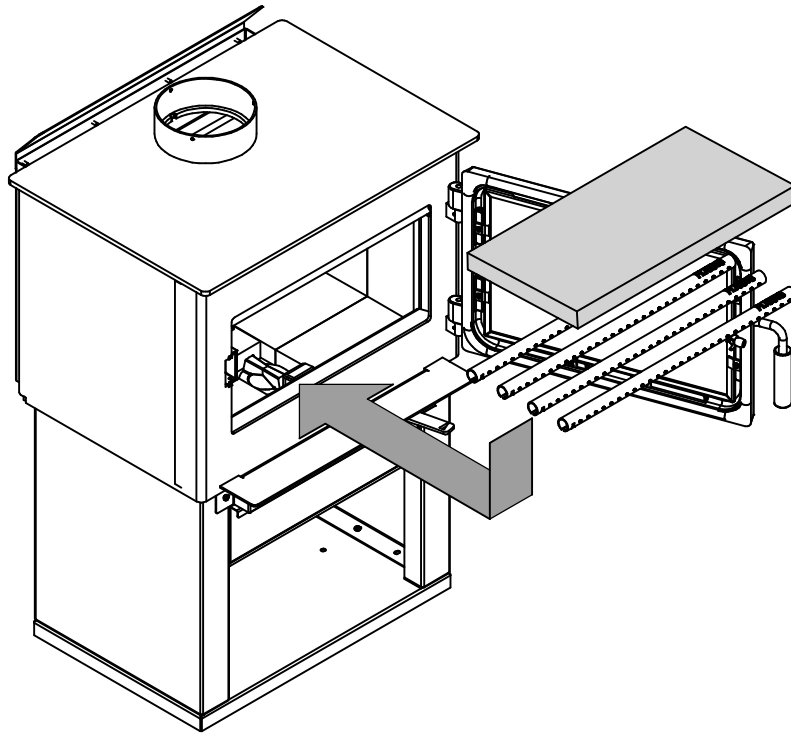


2. Align the notch in the left end of the tube with the key of the left air channel hole. Using a « Vise grip » hold the tube and lock it in place by turning the tube as shown. Make sure the notch reaches the end of the key way.



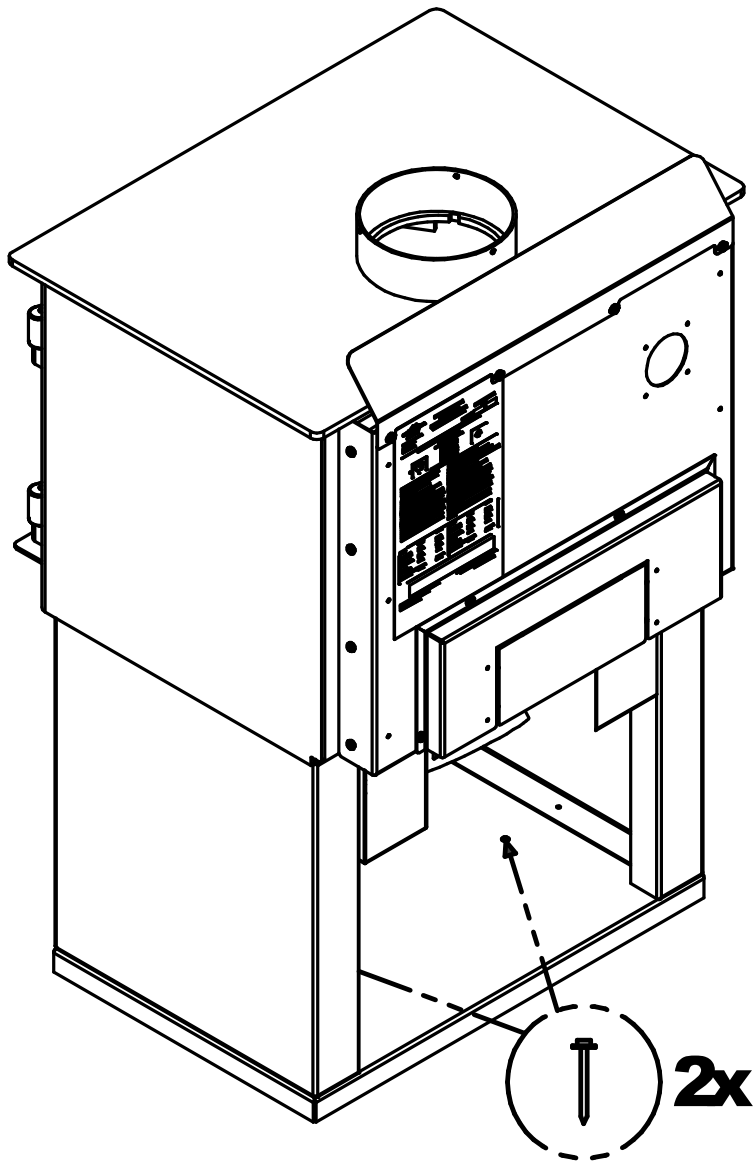
3. Put the baffle in place.
4. Repeat steps 1 and 2 for the three other tubes.
5. To remove the tubes use the above steps in reverse order.

Note that secondary air tubes (**B**) can be replaced without removing the baffle board (**A**) and that all tubes are not necessarily identical (look at the part number on the tube).

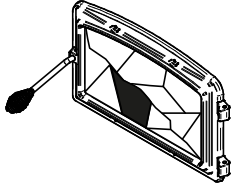


6.7 Mobile Home Installation

Being a vertical stove, it is recommended to secure its base to the floor using the proper anchors or screws to ensure the stability of its installation.



7. Maintenance/Parts Replacement



Do not clean the glass when the stove is hot.

Do not abuse the glass door by striking or slamming shut.

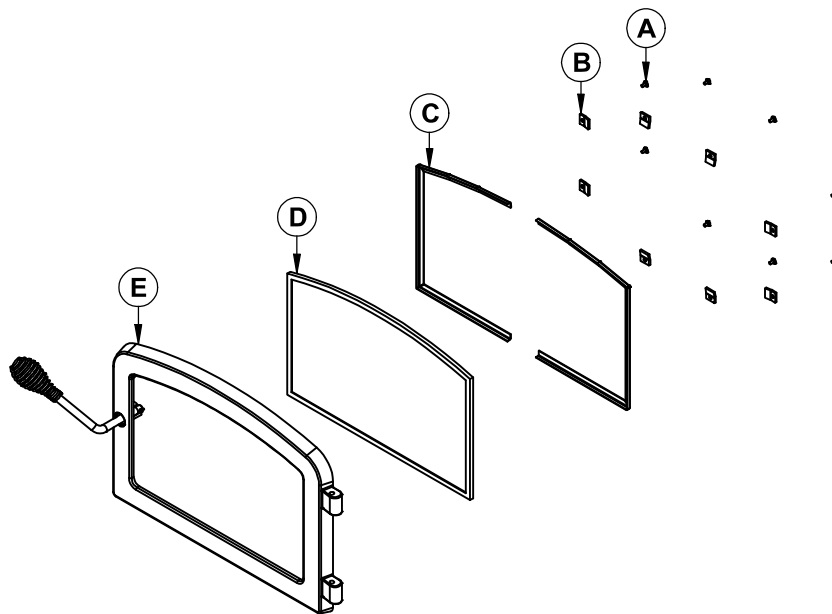
Do not use the stove if the glass is broken.

7.1 Replacement

The glass used is a ceramic glass, 5/32" (4 mm) thick, 16 3/4" x 10 7/8" (425 mm x 276 mm), tested to reach temperatures up to 1400° F. If the glass breaks, it must be replaced by a ceramic glass from SCHOTT with the same specification. Contact your dealer to obtain a genuine replacement part.

WARNING : DO NOT USE SUBSTITUTE MATERIALS WHEN REPLACING THE GLASS.

To remove or replace the glass (D):



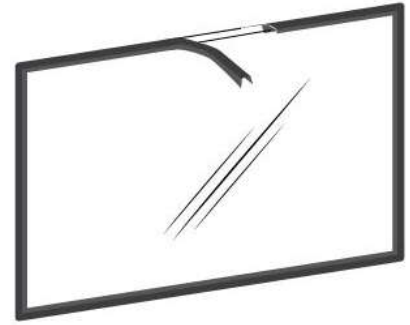
1. Remove the door (E) from its hinges and lay it on a soft, flat surface.
2. Remove the eight screws (A), the eight glass retainers (B), and the metal frames (C).
3. Remove the glass (D). If it is damaged install a new one in place. The replacement glass must have a gasket all around (see procedure below).
4. Reinstall the glass, being careful to centre the glass in the door and not to over-tightening the retaining screw.

The two main causes of broken door glass are uneven placement in the door and over-tightening the retaining screws.

7.2 Gasket

The glass gasket is flat, adhesive-backed, woven fibreglass. The gasket must be centred on the edge of the glass.

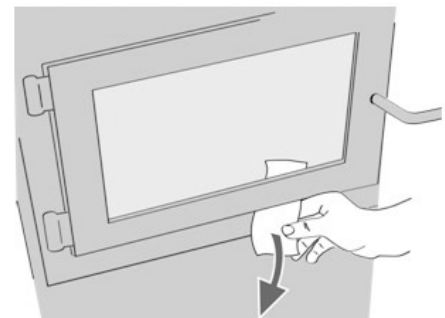
1. Follow the steps of the previous section to remove the glass.
2. Remove the old gasket and clean the glass thoroughly.
3. Peel back a section of the paper covering the adhesive and place the gasket on a table with the adhesive side up.
4. Stick the end of the gasket to the middle of one edge, then press the edge of the glass down onto the gasket, taking care that it is perfectly centred on the gasket.
5. Peel off more of the backing and rotate the glass. The gasket must not be stretched during installation.
6. Cut the gasket to the required length.
7. Pinch the gasket onto the glass in a U shape, all around the glass.



By following these instructions, the edge clearances are maintain.

7.3 Door

In order for the stove to burn at its best efficiency, the door must provide a perfect seal with the firebox. The tightness of the door seal can be verified by closing and latching the door on a strip of paper. The test must be performed all around the door. If the paper slips out easily anywhere, either adjust the door or replace the gasket.



7.3.1 Adjustment

In order for the stove to burn at its best efficiency, the door must provide a perfect seal with the firebox. Therefore, the gasket should be inspected periodically to check for a good seal. The gasket seal may be improved with a simple latch mechanism adjustment:

1. Remove the split pin by pulling and turning it using pliers.
2. Turn the handle one counterclockwise turn to increase pressure.
3. Reinstall the split pin with a small hammer.

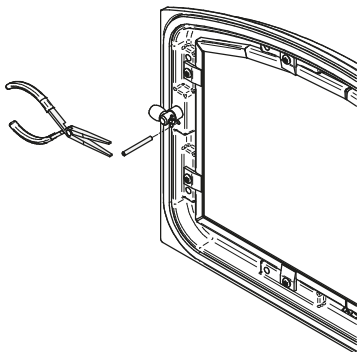


Figure 27: Removing the split pin

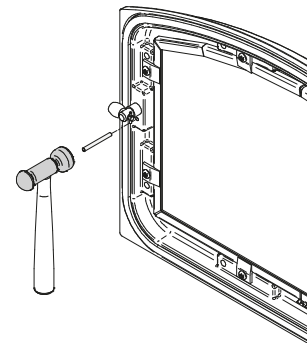
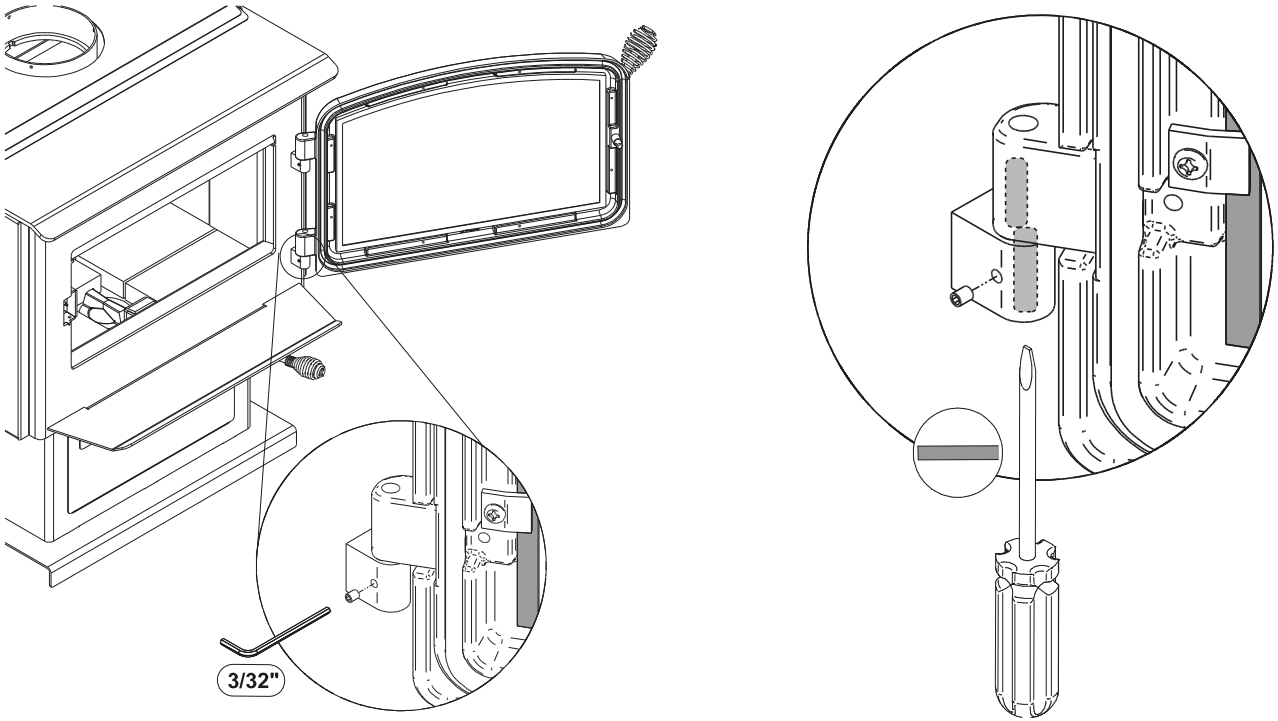


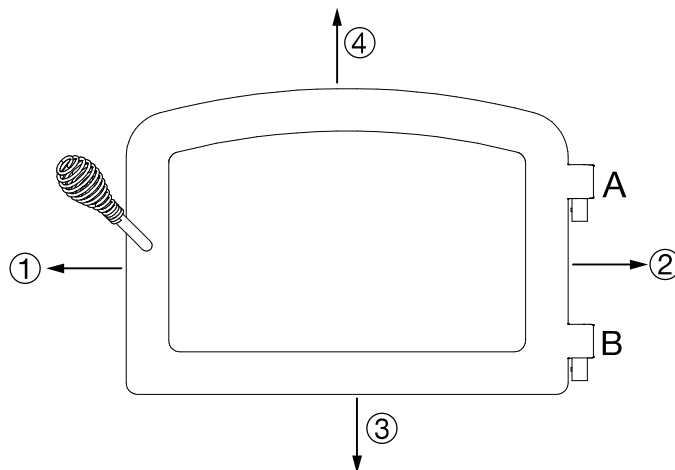
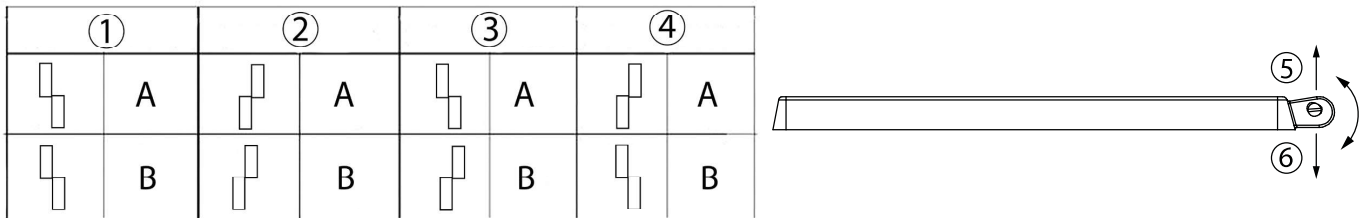
Figure 28: Installing the split pin

7.3.2 Door Alignment

To align, open the door and loosen the pressures screws located on the lower and upper hinges of the door using a 3/32" Allen key to free the adjustable hinge rods.



Using a flat screwdriver, turn the adjustable hinge rods in the direction shown to adjust the doors. Tighten all door hinge pressure screws when they are at the desired positions. Configurations 1-2-3-4-5-6, show in which direction these act on the adjustment of the door.

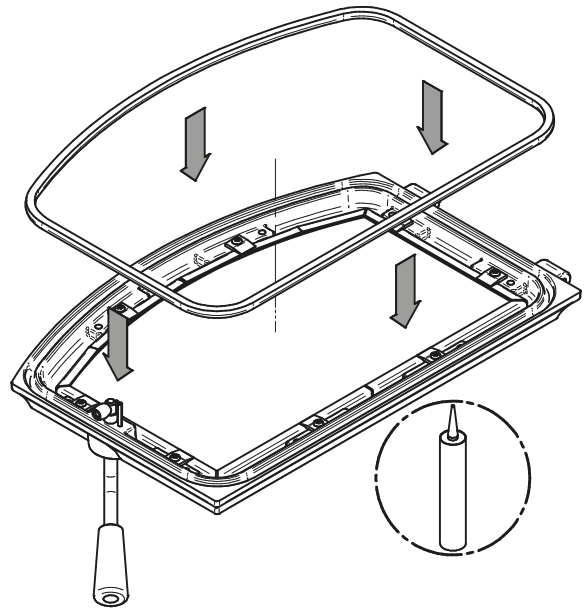


ENGLISH

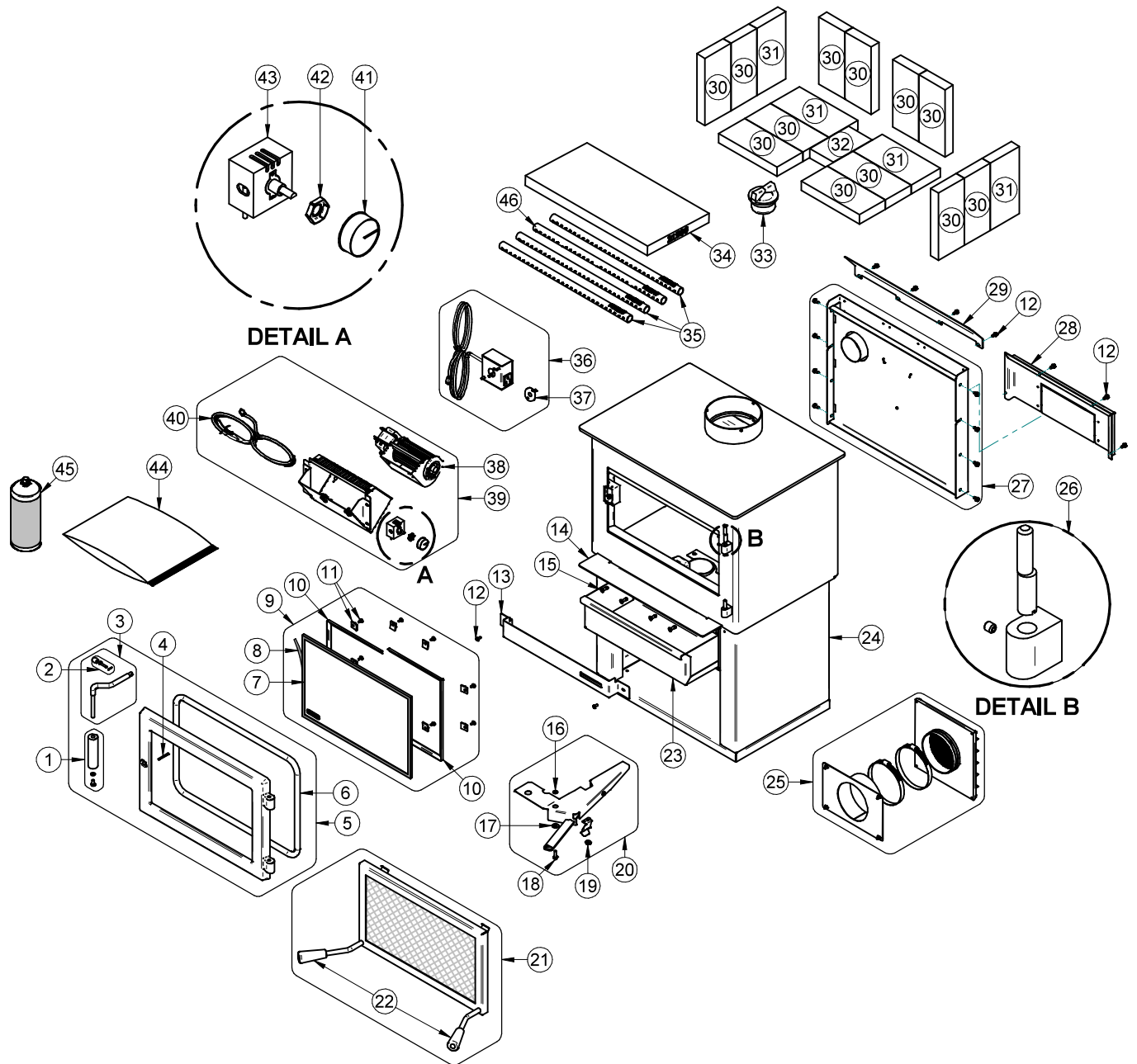
7.3.3 Gasket

It is important to replace the gasket with another having the same diameter and density to maintain a good seal.

1. Remove the door and place it face-down on something soft like a cushion of rags or a piece of carpet.
2. Remove the old gasket from the door. Use a screwdriver to scrape the old gasket adhesive from the door gasket groove.
3. Apply a bead of approximately 3/16" (5 mm) of high temperature silicone in the door gasket groove. Starting from the middle, hinges side, press the gasket into the groove. The gasket must not be stretched during installation.
4. Leave about 1/2" long of the gasket when cutting and press the end into the groove. Tuck any loose fibers under the gasket and into the silicone.
5. Close the door. Do not use the stove for 24 hours.



8. Exploded Diagram and Parts List



ENGLISH

IMPORTANT: THIS IS DATED INFORMATION. When requesting service or replacement parts for your unit, please provide the model number and the serial number. We reserve the right to change parts due to technology upgrades or availability. Contact an authorized dealer to obtain any of these parts. Never use substitute materials. Use of non-approved parts can result in poor performance and safety hazards.

#	Item	Description	Qty
1	SE70731	WOOD HANDLE KIT	1
2	AC09185	DOOR LATCH KIT	1
3	SE70730	TEMPLATE SE	1
4	30101	SPRING TENSION PIN 5/32"Ø X 1 1/2"L	1
5	SE24343	DECO DROLET II DOOR ASSEMBLY	1
6	AC06500	SILICONE AND 5/8" X 8' BLACK DOOR GASKET KIT (AC-DGKNC)	1
7	SE70890	DROLET DECI II GLASS 16 3/4"W X 10 7/8"H	1
8	AC06400	3/4" X 6' x 1/8" FLAT BLACK SELF-ADHESIVE GLASS GASKET (AC-GGK)	1
9	SE70729	GLASS AND MOULDING KIT	1
10	PL70889	GLASS FRAME	2
11	SE53585	GLASS RETAINER KIT WITH SCREWS (12 PER KIT)	1
12	30154	BLACK SCREW #10 X 5/8" QUADREX #2 TYPE A	10
13	PL70966	AIR CONTROL HOUSING PLATE	1
14	PL70902	ASH SHELF	1
15	30507	BLACK TORX SCREW WITH FLAT HEAD TYPE F 1/4-20 X 3/4"	4
16	30187	STAINLESS WASHER ID 17/64" X OD 1/2"	1
17	30206	ZINC WASHER 5/16"ID X 3/4"OD	1
18	30094	HEX SCREW WASHER HEAD 1/4-20 X 3/4" F ZINC TYPE	1
19	30782	HEX FLANGE NUT SERRATED 1/4-20 STAINLESS 18-8	1
20	SE70718	DAMPER ASSEMBLY	1
21	AC01299	RIGID FIRESCREEN	1
22	30898	ROUND WOODEN BLACK HANDLE	2
23	SE70906	ASH DRAWER ASSEMBLY	1
24	99999	BUILT TO ORDER	1
25	AC01336	5"Ø FRESH AIR INTAKE KIT FOR WOOD STOVE ON PEDESTAL	1
26	SE74167	DOOR HINGE REPLACEMENT KIT	1
27	SE70737	REAR HEAT SHIELD ASSEMBLY	1
28	PL70704	BLOWER ADAPTER FOR AC02050	1
29	PL70713	AIR DEFLECTOR	1
30	29015	4" X 9" X 1 1/4" REFRACTORY BRICK	12
31	29010	4 1/2" X 9" X 1 1/4" REFRACTORY BRICK	4
32	PL36274	3 5/8" X 5 3/4" X 1 1/4" REFRACTORY BRICK	1
33	24096	ROUND CAST IRON ASH PLUG	1

#	Item	Description	Qty
34	21586	18 7/8" X 9 1/2" X 1 1/4" VERMICULITE BAFFLE	1
35	PL70516	SECONDARY AIR TUBE	3
36	AC02055	QUICK CONNECT THERMODISC	1
37	44028	CERAMIC THERMODISC F110-20F	1
38	44073	CROSSFLOW BLOWER 115V-60Hz-39W 100 CFM	1
39	AC02050	BLOWER ASSEMBLY WITH VARIABLE SPEED CONTROL (UP TO 100 CFM)	1
40	60013	POWER CORD 96" X 18-3 type SJT (50 pcs per carton)	1
41	44085	RHEOSTAT KNOB	1
42	44087	RHEOSTAT NUT	1
43	44080	RHEOSTAT WITHOUT NUT (MODEL KBMS-13BV)	1
44	SE46175	DB03205 MANUAL KIT	1
45	AC05959	METALLIC BLACK STOVE PAINT - 342 g (12oz) AEROSOL	1
46	PL75747	1.7 SERIES SECONDARY AIR TUBE	1

DROLET LIMITED LIFETIME WARRANTY

The warranty of the manufacturer extends only to the original retail purchaser and is not transferable. This warranty covers brand new products only, which have not been altered, modified nor repaired since shipment from the factory. Proof of purchase (dated bill of sale), model name and serial number must be supplied when making any warranty claim to the DROLET dealer.

This warranty applies to normal residential use only. This warranty is void if the unit is used to burn material other than cordwood (for which the unit is not certified by EPA) and void if not operated according to the owner's manual. Damages caused by misuse, abuse, improper installation, lack of maintenance, over firing, negligence or accident during transportation, power failures, downdrafts, venting problems or underestimated heating area are not covered by this warranty. The recommended heated area for a given appliance is defined by the manufacturer as its capacity to maintain a minimum acceptable temperature in the designated area in case of a power failure.

This warranty does not cover any scratch, corrosion, distortion, or discoloration. Any defect or damage caused by the use of unauthorized or other than the original parts voids this warranty. An authorized qualified technician must perform the installation in accordance with the instructions supplied with this product and all local and national building codes. Any service call related to an improper installation is not covered by this warranty.

The manufacturer may require that defective products be returned or that digital pictures be provided to support the claim. Returned products are to be shipped prepaid to the manufacturer for investigation. Transportation fees to ship the product back to the purchaser will be paid by the manufacturer. Repair work covered by the warranty, executed at the purchaser's domicile by an authorized qualified technician requires the prior approval of the manufacturer. All parts and labour costs covered by this warranty are limited according to the table below.

The manufacturer, at its discretion, may decide to repair or replace any part or unit after inspection and investigation of the defect. The manufacturer may, at its discretion, fully discharge all obligations with respect to this warranty by refunding the wholesale price of any warranted but defective parts. The manufacturer shall, in no event, be responsible for any uncommon, indirect, consequential damages of any nature, which are in excess of the original purchase price of the product. A one-time replacement limit applies to all parts benefiting from lifetime coverage. This warranty applies to products purchased after March 1st 2019.

DESCRIPTION	WARRANTY APPLICATION*	
	PARTS	LABOUR
Combustion chamber (welds only) and cast iron door frame.	Lifetime	3 years
Surrounds, heat shields, ash drawer, steel legs, pedestal, trims (aluminum extrusions), plating (defective manufacture**), and convector air-mate.	5 years	3 years
Removable stainless steel combustion chamber components, secondary air tubes**, deflectors, and supports.	5 years	N/A
Glass retainers, handle assembly, and air control mechanism.	3 years	1 year
Carbon steel combustion chamber components, vermiculite baffle**, and C-Cast baffle**.	2 years	N/A
Standard blower, heat sensors, switches, rheostat, wiring, and other controls.	1 year	1 year
Optional blower, paint (peeling**), ceramic glass (thermal breakage only**), ceramic fibre blankets, gaskets, insulation, and other options.	1 year	N/A
Firebricks.	N/A	N/A
All parts replaced under the warranty.	90 days	N/A

*Subject to limitations above. **Picture required.

Labour cost and repair work to the account of the manufacturer are based on a predetermined rate schedule and must not exceed the wholesale price of the replacement parts. Shall your unit or a component be defective, contact immediately your DROLET dealer. To accelerate processing of your warranty claim, make sure to have on hand the following information when calling:

- Your name, address and telephone number;
- Bill of sale and dealer's name;
- Installation configuration;
- Serial number and model name as indicated on the nameplate fixed to the back of your unit;
- Nature of the defect and any relevant information.

Before shipping your unit or defective component to our plant, you must obtain an Authorization Number from your DROLET dealer. Any merchandise shipped to our plant without authorization will be refused automatically and returned to the sender.

This document is available for free download on the manufacturer's website. It is a copyrighted document. Resale is strictly prohibited. The manufacturer may update this document from time to time and cannot be responsible for problems, injuries, or damages arising out of the use of information contained in any document obtained from unauthorized sources.



Stove Builder International inc.
250, rue de Copenhague,
St-Augustin-de-Desmaures (Québec) Canada
G3A 2H3
1-877-356-6663
<https://www.drolet.ca/us/en/>
tech@sbi-international.com