

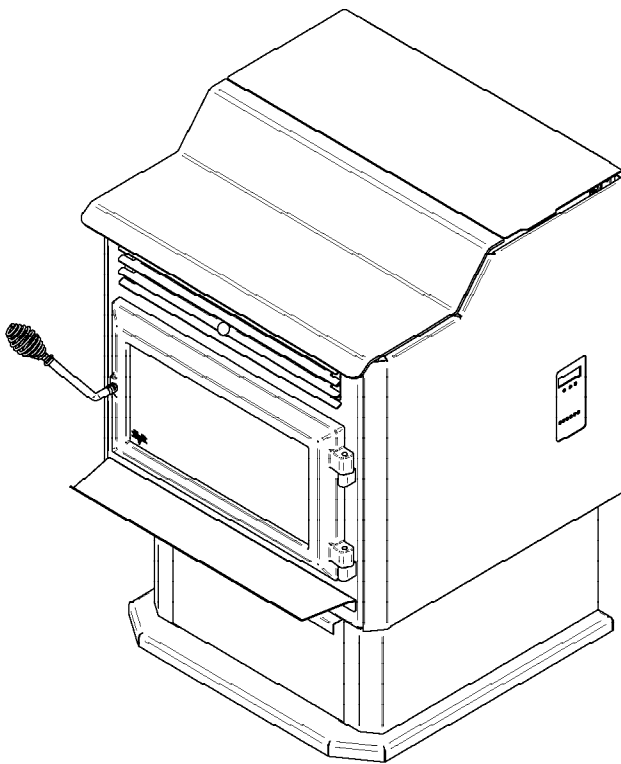


# INSTALLATION MANUAL

## HEP55

### (VB00025 model)

Safety tested according to ULC S627 and ASTM E1509 by an accredited laboratory



**INSTALLATION BY A PROFESSIONAL IS STRONGLY RECOMMENDED**

**Stove Builder International inc.**  
250, rue de Copenhague,  
St-Augustin-de-Desmaures (Québec) Canada  
G3A 2H3

Technical services : 1-877-356-6663  
Email : [tech@sbi-international.com](mailto:tech@sbi-international.com)  
<https://www.occanada.com/ca/fr/>

**CONTACT LOCAL BUILDING OR FIRE OFFICIALS ABOUT RESTRICTIONS AND INSTALLATION INSPECTION REQUIREMENTS IN YOUR AREA.**

**PLEASE READ THIS ENTIRE MANUAL BEFORE INSTALLATION AND USE OF THIS PELLET FUEL-BURNING ROOM HEATER. FAILURE TO FOLLOW THESE INSTRUCTIONS COULD RESULT IN PROPERTY DAMAGE, BODILY INJURY OR EVEN DEATH.**

**READ AND KEEP THIS MANUAL FOR REFERENCE**



This manual is available for free download on the manufacturer's website. It is a copyrighted document. Re-sale is strictly prohibited. The manufacturer may update this manual from time to time and cannot be responsible for problems, injuries, or damages arising out of the use of information contained in any manual obtained from unauthorized sources.

## 1. SAFETY INFORMATION

We highly recommend that our pellet burning hearth products be installed and serviced by professionals who are certified in the United States by NFI (National Fireplace Institute®) or in Canada by WETT (Wood Energy Technology Transfer) or in Quebec by APC (Association des Professionnels du Chauffage).

If this appliance is not properly installed, combustible materials near it may overheat. To reduce the risk of fire, follow the installation instructions in this manual exactly. Contact local building or fire officials about restrictions and installation inspection requirements in your area.

Please read this entire manual before you install and use your new stove. You may need to get a building permit for the installation of this appliance and the venting system that it is connected to. Consult your municipal building department or fire department before installation. We recommend that you also inform your home insurance company to find out if the installation will affect your policy.

### WARNING

**THIS STOVE IS NOT RECOMMENDED TO BE INSTALLED IN A BEDROOM.**

### WARNING

**IF THIS STOVE IS NOT PROPERLY INSTALLED, A HOUSE FIRE MAY RESULT. TO REDUCE THE RISK OF FIRE, FOLLOW THE INSTALLATION INSTRUCTIONS.**

### WARNING

**BURNING ANY SOLID FUELS GENERATES CARBON MONOXIDE IN LOW CONCENTRATION. THIS GAS IS EVACUATED BY THE EXHAUST VENTING SYSTEM. IN HIGHER CONCENTRATIONS, CARBON MONOXIDE IS TOXIC AND MAY CAUSE DEATH. TO PREVENT THIS, ENSURE THAT YOUR EXHAUST VENTING SYSTEM IS AIRTIGHT.**

### WARNING

**THIS STOVE IS MOBILE HOME APPROVED AND REQUIRES INSTALLATION OF A FRESH AIR KIT, SOLD SEPARATELY. THE STOVE MUST BE ATTACHED TO THE STRUCTURE OF THE MOBILE HOME AND THE STRUCTURAL INTEGRITY OF THE MOBILE HOME FLOOR, WALL, AND CEILING / ROOF MUST BE MAINTAINED. DO NOT INSTALL IN A SLEEPING ROOM.**

### CAUTION

**THIS STOVE MUST BE CONNECTED TO A STANDARD 120V / 60HZ, GROUNDED ELECTRICAL OUTLET. DO NOT USE AN ADAPTER PLUG OR SEVER THE GROUNDING PLUG. DO NOT ROUTE THE ELECTRICAL CORD UNDERNEATH, IN FRONT OR OVER THE STOVE.**

### NOTICE

Mixing of appliance components from different sources or modifying components is prohibited and will void the warranty. Any modification of the appliance that has not been approved in writing by the testing authority is prohibited and violates CSA B365 (Canada) and NFPA 211 (USA).

### NOTICE

When locating your appliance, make sure the vent will not interfere with any truss, roof beams, wall studs, water pipes or electrical wiring. It may be easier to relocate appliance than to rework the building structure.

### NOTICE

The information given on the certification label affixed to the stove always overrides the information published in any other media (owner's manual, catalogues, flyers, magazines or web sites).

### NOTICE

This stove has been developed and built for residential supplementary heat source. Commercial and industrial use is prohibited and will void the warranty.

### NOTICE

Stove Builder International inc. (SBI) grants no warranty, implied or stated, for the poor installation of your appliance and assumes no responsibility of any consequential damages.



This product can expose you to chemicals including carbon monoxide, which is known to the State of California to cause cancer, birth defects or other reproductive harm. For more information go to [www.P65warnings.ca.gov/](http://www.P65warnings.ca.gov/)

### WARNING

**DO NOT RESTRICT AIR CIRCULATION AROUND THE UNIT. AIR CIRCULATION AROUND THE UNIT IS IMPORTANT. IF AIR CIRCULATION IS LIMITED, THIS COULD INCREASE HEAT ON ADJACENT WALLS AND CEILING.**

### CAUTION

**NEVER USE GASOLINE, GASOLINE-TYPE LANTERN FUEL, KEROSENE, CHARCOAL LIGHTER FLUID, OR SIMILAR LIQUIDS TO START OR 'FRESHEN UP' A FIRE IN THIS HEATER. KEEP ALL SUCH LIQUIDS WELL AWAY FROM THE HEATER WHILE IT IS IN USE.**

### CAUTION

**DO NOT OPERATE THE STOVE WITH THE DOOR OPEN. THIS CAN RESULT IN LOSS OF EFFICIENCY, FIRE HAZARD, INCOMPLETE COMBUSTION, AND EXPOSURE TO CARBON MONOXIDE.**

### WARNING

**DO NOT INSTALL IN ANY FIREPLACE.**

### CAUTION

**MAINTAIN PROPER VENTILATION. IT IS IMPORTANT THAT ADEQUATE OXYGEN IS BEING SUPPLIED TO THE FIRE FOR PROPER COMBUSTION. DURING THE WINTER SEASON, MAKE SURE THAT THE FRESH AIR INTAKE IS FREE OF ANY ICE, SNOW, ETC., AS THIS WILL STARVE THE FIRE OF AIR AND PREVENT THE PROPER OPERATION OF THE STOVE. MAKE SURE THE FRESH AIR INTAKE BACKDRAFT SHUTTER WORKS FREELY.**

### CAUTION

**A SMOKE DETECTOR, A CARBON MONOXIDE DETECTOR AND A FIRE EXTINGUISHER SHOULD BE INSTALLED IN THE HOUSE. THE LOCATION OF THE FIRE EXTINGUISHER SHOULD BE KNOWN BY ALL FAMILY MEMBERS.**

**A SMOKE DETECTOR LOCATED IN THE PROXIMITY OF THE STOVE MAY BE ACTIVATED WHEN THE DOOR OF THE STOVE IS OPEN TO RELOAD OR TO STIR.**

# TABLE OF CONTENTS

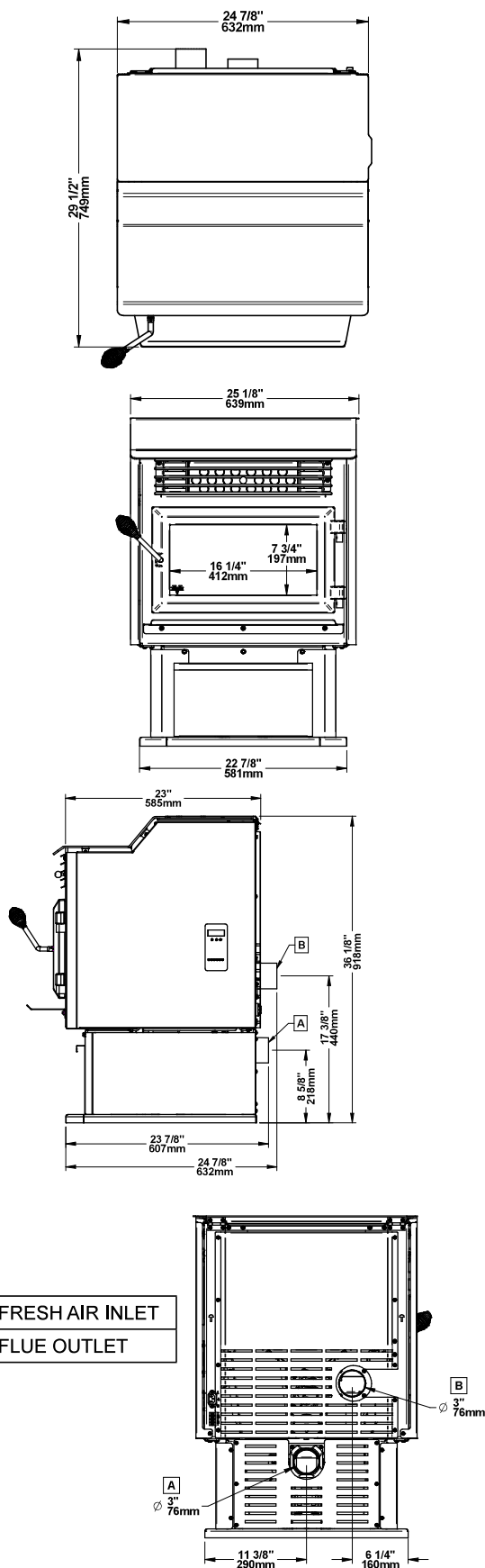
<b>1. SAFETY INFORMATION .....</b>	<b>2</b>
<b>2. GENERAL FEATURES .....</b>	<b>5</b>
2.1 OVERALL DIMENSIONS (E).....	6
2.2 REGULATIONS COVERING PELLET STOVE INSTALLATION .....	6
2.3 CERTIFICATION LABEL LOCATION .....	6
<b>3. CLEARANCES TO COMBUSTIBLE MATERIALS .....</b>	<b>7</b>
3.1 CLEARANCES TO COMBUSTIBLES MATERIALS, WALLS AND CEILING .....	7
3.2 FLOOR PROTECTION .....	8
<b>4. VENTING SYSTEM .....</b>	<b>9</b>
4.1 GENERAL .....	9
4.2 RECOMMENDATIONS .....	9
4.3 EQUIVALENT VENT LENGTH (EVL).....	9
4.3.1 RECOMMENDED EXHAUST VENTING DIAMETER .....	9
4.3.2 INSTALLATION COMPLIANCE.....	10
4.4 TERMINATION LOCATION .....	11
4.5 DIRECT VENT SYSTEM .....	12
4.6 INSTALLATION CONFIGURATION .....	12
4.6.1 THROUGH WALL INSTALLATION (MAIN FLOOR OR BASEMENT).....	12
4.6.2 THROUGH ROOF INSTALLATION .....	12
4.6.3 THROUGH A FACTORY BUILT CHIMNEY.....	13
4.6.4 THROUGH AN EXISTING MASONRY FIREPLACE.....	13
4.6.5 THROUGH AN EXISTING MASONRY CHIMNEY.....	14
<b>5. INSTALLING THE OPTIONAL HOPPER EXTENSION .....</b>	<b>14</b>
<b>6. MOBILE HOME INSTALLATION .....</b>	<b>15</b>
<b>7. INSTALLING A THERMOSTAT .....</b>	<b>15</b>
7.1 THERMOSTAT LOCATION .....	15
7.2 WIRED THERMOSTAT .....	16
7.3 WIRELESS THERMOSTAT .....	16
<b>8. COMBUSTION AIR SUPPLY .....</b>	<b>16</b>
8.1 SOURCES OF OUTSIDE COMBUSTION AIR .....	17
<b>9. APPLIANCE SET-UP .....</b>	<b>18</b>
9.1 GENERAL .....	18
<b>10. WIRING DIAGRAM .....</b>	<b>19</b>
<b>11. EXPLODED VIEWS AND PARTS LIST .....</b>	<b>20</b>

## 2. GENERAL FEATURES

<b>Recommended chimney diameter</b>	3 in. (75mm)
<b>Flue outlet diameter</b>	3 in. (75mm)
<b>Type of chimney</b>	ULC/ORD-C441 CAN/ULC S609 UL 641 (TYPE L)
<b>Approved for alcove installation</b>	Yes
<b>Approved for mobile home installation ‡</b>	Yes
<b>Shipping weight (without option)</b>	277 lb
<b>Appliance weight (without option)</b>	235 lb
<b>Particulate emission standard</b>	CSA B415.1-10 ASTM E2779
<b>USA standard (safety)</b>	ASTM E1509
<b>Canadian standard (safety)</b>	ULC S627
<b>Electrical requirements</b>	Voltage and frequency 120VAC and 60Hz  Ignition : 3.02A

‡ *Mobile home (Canada) or manufactured home (USA): The US department of Housing and Urban Development describes "manufactured homes" better known as "mobile homes" as followed; buildings built on fixed wheels and those transported on temporary wheels/axles and set on a permanent foundation. In Canada, a mobile home is a dwelling for which the manufacture and assembly of each component is completed or substantially completed prior to being moved to a site for installation on a foundation and connection to service facilities and which conforms to the CAN/CSA-Z240 MH standard.*

## 2.1 OVERALL DIMENSIONS (VB00025)



## 2.2 REGULATIONS COVERING PELLET STOVE INSTALLATION

When installed and operated as described in these instructions, this pellet stove is suitable for use as a freestanding heater in residential installations.

In Canada, the CSA B365 Installation Code for Solid Fuel Burning Appliances and Equipment and the CSA C22.1 Canadian National Electrical Code are to be followed in the absence of local code requirements.

In the USA, the ANSI NFPA 211 Standard for Chimneys, Fireplaces, Vents and Solid Fuel-Burning Appliances and the ANSI NFPA 70 National Electrical Code are to be followed in the absence of local code requirements.

This stove must be connected to a pellet vent system complying with the requirements for Pellet Vent in the standards UL 103, UL 641, ULC S629M, CAN/ULC S609 and ULC/ORD C441 or to a code-approved masonry chimney with a stainless steel flue liner.

## 2.3 CERTIFICATION LABEL LOCATION

Since the information given on the certification label affixed to the stove always overrides the information published in any other media (owner's manual, catalogues, flyers, magazines or web sites), it is important to refer to it in order to have a safe and compliant installation. In addition, you will find important information about your stove (model, serial number, etc.). You will find the certification label on the inner side of the hopper lid of the stove.

**CAUTION**

**DO NOT USE MAKESHIFT MATERIALS OR MAKE ANY COMPROMISES WHEN INSTALLING THIS STOVE.**

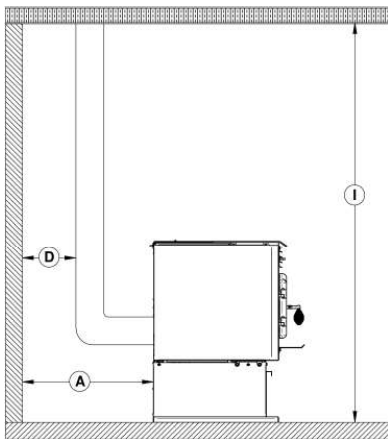
### 3. CLEARANCES TO COMBUSTIBLE MATERIALS

The clearances shown in this section applies to VB00025.

The clearances shown in this section have been determined by tests according to procedures set out in safety standards ULC S627 (Canada) and ASTM E1509 (U.S.A). When the pellet stove is installed so that its surfaces are at, or beyond, the minimum clearances specified, combustible surfaces will not overheat under normal and even abnormal operating conditions.

NOTICE
The following clearances are <b>also valid for an alcove installation</b> . However, if the stove is installed in an alcove, to perform maintenance, you should expect to move the appliance to get to the maintenance access doors and components.

#### 3.1 CLEARANCES TO COMBUSTIBLES MATERIALS, WALLS AND CEILING



MINIMUM CLEARANCES		
	CANADA	USA
<b>A*</b>	3" (76 mm)	3" (76 mm)
<b>D</b>	Note 1	Note 1
<b>I**</b>	48" (1 220 mm)	48" (1 220 mm)

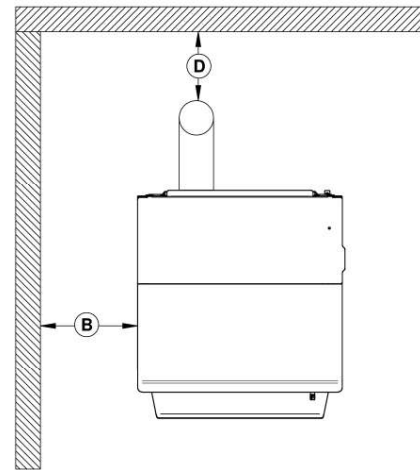
\*From the rear panel

\*\*Measured from the platform on which the product is installed.

RECOMMENDED CLEARANCES FOR MAINTENANCE		
	CANADA	USA
<b>A*</b>	12" (305 mm)	12" (305 mm)

WARNING
<b>NO PART OF THE PELLET VENT SYSTEM MAY BE LOCATED CLOSER TO COMBUSTIBLES THAN THE MINIMUM CLEARANCES SPECIFIED BY THE VENT MANUFACTURER.</b>

WARNING
<b>NO PART OF THE STOVE MAY BE LOCATED CLOSER TO COMBUSTIBLES THAN THE MINIMUM CLEARANCES SPECIFIED ON THE CERTIFICATION LABEL.</b>



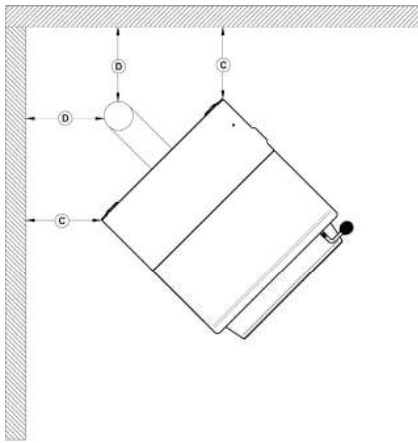
MINIMUM CLEARANCES		
	CANADA	USA
<b>B</b>	6" (152 mm)	6" (152 mm)
<b>D</b>	Note 1	Note 1

RECOMMENDED CLEARANCES FOR MAINTENANCE		
	CANADA	USA
<b>B</b>	24" (610 mm)	24" (610 mm)

**Note 1 : Refer to the exhaust venting system manufacturer's instructions for clearances to combustible materials.**

ENGLISH



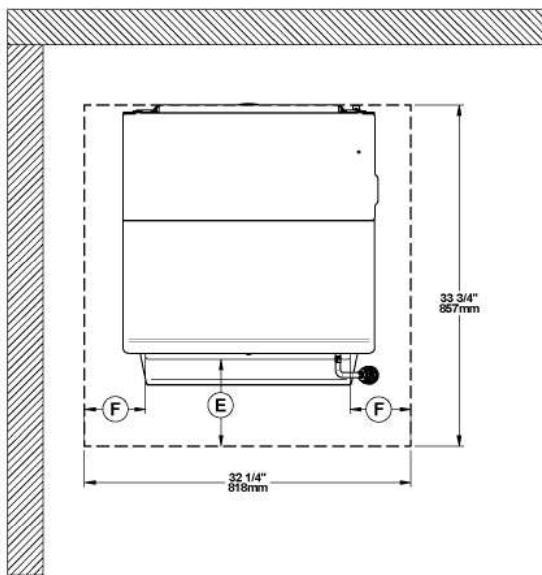


MINIMUM CLEARANCES		
	CANADA	USA
<b>C</b>	3" (76 mm)	3" (76 mm)
<b>D</b>	Note 1	Note 1

RECOMMENDED CLEARANCES FOR MAINTENANCE		
	CANADA	USA
<b>C</b>	12" (305 mm)	12" (305 mm)
<b>D</b>	Note 1	Note 1

**Note 1 :** Refer to the exhaust venting system manufacturer's instructions for clearances to combustible materials.

### 3.2 FLOOR PROTECTION



FLOOR PROTECTION		
	CANADA**	USA
<b>E</b>	6" (152 mm) From door opening	6" (152 mm) From door opening
<b>F</b>	6" (152 mm) From door opening	6" (152 mm) From door opening

**CAUTION**

**THE STOVE MUST BE PLACED ON A CONTINUOUS (GROUTED JOINTS) NONCOMBUSTIBLE MATERIAL SUCH AS CERAMIC TILE\*, CEMENT BOARD, BRICK, MILLBOARD OR EQUIVALENT, OR ANY OTHER APPROVED OR LISTED MATERIAL SUITED FOR FLOOR PROTECTION.**

\*Any type of tile will require a continuous non combustible sheet beneath to prevent the possibility of embers falling through to the combustible floor if cracks or separation should occur in the finished surface, this would include floor protection for built-in raised hearths. Check local codes for approved alternatives.

\*\*You may reduce the floor protection requirements to the values shown in the previous table ONLY if the following actions are respected: Allow for the appliance to shut-down and fire to be extinguished. Once completely cool and all blowers have stopped you may proceed with opening the firebox or ash door. Otherwise, see CSA B365.



## 4. VENTING SYSTEM

### CAUTION

**CONNECT THIS STOVE ONLY TO A LISTED PELLETEXHAUSTVENTINGSYSTEMFORUSE WITH SOLID FUEL OR TO A LINED CHIMNEY CONFORMING TO NATIONAL AND LOCAL BUILDING CODES.**

### CAUTION

**DO NOT CONNECT THIS STOVE TO ANY OTHEREXISTINGVENTINGSYSTEMSERVING ANOTHER APPLIANCE.**

### CAUTION

**THE VENTING SYSTEM MUST BE COMPLETELY AIRTIGHT AND PROPERLY INSTALLED. ALL VENT CONNECTOR JOINTS MUST BE SEALED AND FASTENED IN ACCORDANCE WITH THE PELLET VENT MANUFACTURER'S INSTRUCTIONS TO ENSURE CONSISTENT PERFORMANCE AND AVOID SMOKE AND ASH SPILLAGE. USE AT LEAST 3 SCREWS FOR THE JOINTS.**

### CAUTION

**DO NOT INSTALL A FLUE DAMPER IN THE EXHAUST VENTING SYSTEM OF THIS UNIT.**

### CAUTION

**DO NOT CONNECT TO OR USE IN CONJUNCTION WITH ANY AIR DISTRIBUTION DUCTWORK.**

### CAUTION

**THE VENTING SYSTEM SHOULD BE CHECKED, AT LEAST TWICE A YEAR FOR ANY BUILDUP OF SOOT OR CREOSOTE.**

### 4.1 GENERAL

Even though the chimney draft is mechanical, a suitable venting system will ensure a natural draft which will prevent smoke spillage in your home if a power outage occurs. Moreover, a suitable venting system configuration will help getting the best efficiency out of your stove when installed in accordance with the required EVL.

## 4.2 RECOMMENDATIONS

In Canada, we recommend that you use a listed pellet vent that meets the CAN/ULC S609 or ULC/ORD C441 Standard. A pellet vent listed to ULC S629M is also suitable for installation with this stove.

For the United States, we recommend that you use a listed pellet vent that meets the UL 641 Standard. A pellet vent listed to UL 103 is also suitable for installation with this stove.

This stove can be vented in an existing factory-built or masonry chimney with the addition of a stainless steel liner, provided the chimney is more than 4" in diameter. The liner should be listed and should meet the ULC S635 CAN/ULC S640 standard in Canada and the UL 1777 standard in the USA. Refer to the instructions provided by the vent manufacturer, especially when passing through a wall, ceiling or roof.

### 4.3 EQUIVALENT VENT LENGTH (EVL)

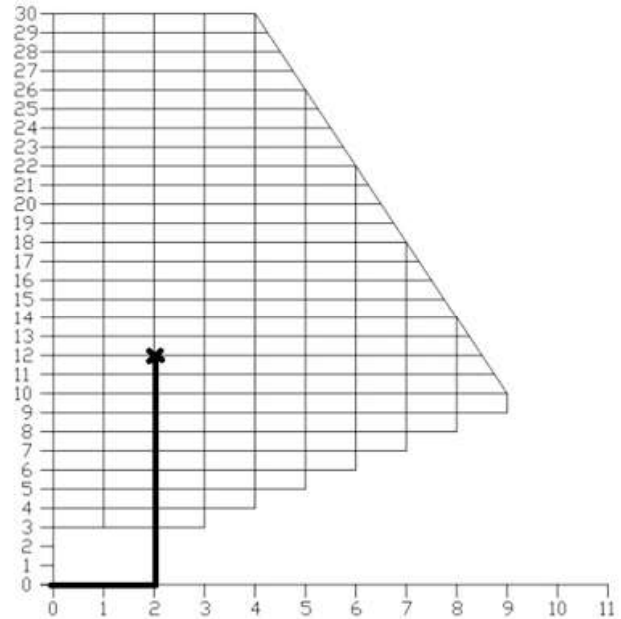
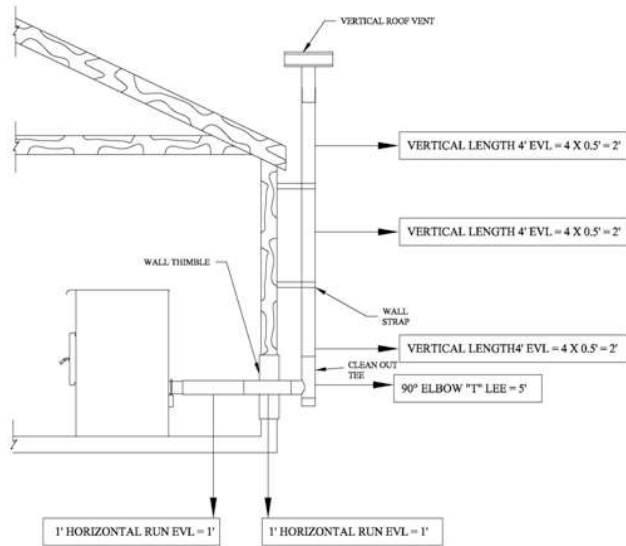
#### 4.3.1 RECOMMENDED EXHAUST VENTING DIAMETER

The recommended venting system inner pipe diameter is 3". Use a 4" pipe if you have more than 15 feet of Equivalent Vent Length (EVL).

To calculate the Equivalent Vent Length of your installation, use the following conversions:

Qty	Type of pipe	Equivalent vent length (EVL)
1	90° elbow or "Tee"	5 feet
1	45° elbow	3 feet
1 foot	horizontal pipe run	1 foot
1 foot	vertical pipe run	1/2 foot

Here is an example to help you calculate Equivalent Vent Length. On the following figure the EVL can be calculated like this:



2 feet of horizontal run (2 X 1' EVL)	= 2' of EVL
90° elbow or "Tee" (1 X 5' EVL)	= 5' of EVL
12 feet of vertical run (12' X 0.5' EVL)	= 6' of EVL
Termination cap	= 0' of EVL
<b>Total EVL</b>	<b>= 13' of EVL</b>

Since the total EVL is less than 15 feet, the recommended exhaust venting diameter is 3".

#### 4.3.2 INSTALLATION COMPLIANCE

To determine if your installation is compliant, the exhaust venting system must end within the grid on the venting system chart. The previous installation has 2 feet of horizontal run and 12 feet of vertical run. It is thus standard since the venting system ends in the gridded area.

#### CAUTION

- Horizontal runs shall not exceed 9 feet.
- Never exceed 30 feet of evl.

#### CAUTION

**TO REDUCE THE RISK OF SMOKE SPILLAGE THERE SHOULD ALWAYS BE AT LEAST ONE FOOT OF VERTICAL RISE FOR EACH FOOT OF HORIZONTAL RUN. IN ALL CASES, AT LEAST 3 FEET OF VERTICAL RISE IS NEEDED.**

#### WARNING

**TERMINATION OF A SIDEWALL VENT SHOULD BE LOCATED TO AVOID PERSONAL BURN INJURY, FIRE HAZARD AND INTERFERENCE WITH OR DAMAGE TO ADJACENT PROPERTIES. EXHAUST GASES CAN REACH TEMPERATURES OF 500°F (260°C) AND CAUSE SERIOUS BURNS.**

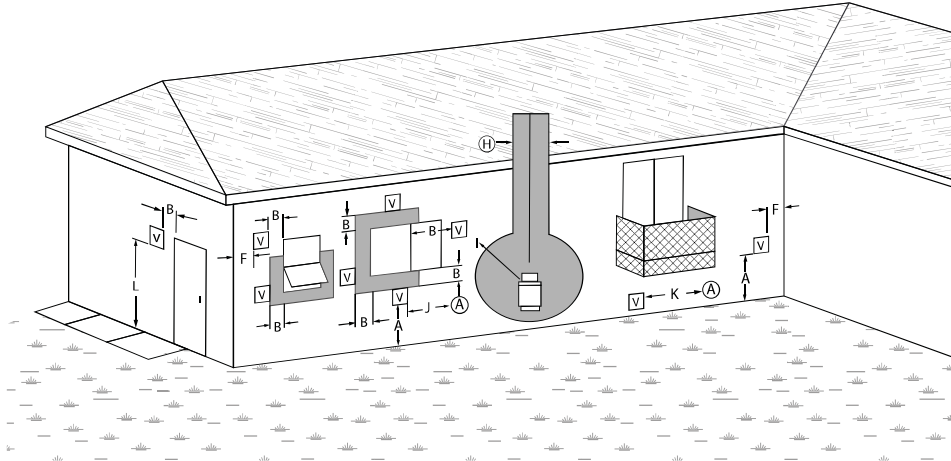
#### WARNING

**TERMINATION COLLAR (SPARK ARRESTER) IS MANDATORY AND MUST BE CLEAR OF ANY DEBRIS AT ALL TIME.**

## 4.4 TERMINATION LOCATION

### CANADA

Refer to NFPA 211 (USA) or CSA B365 (Canada) for rules for the distance of exit terminal from windows and openings. The exit terminal of a mechanical draft system, other than a direct vent appliance shall be located in accordance with the following.



	Min. Clearances	Description
<b>A</b>	12" (30 cm)	Clearances above grade level or any adjacent surface that might support snow, ice, or debris.
<b>B</b>	39" (100 cm)	Clearance to window or door that may be opened.
<b>F</b>	39" (100 cm)	Clearance to corner or adjacent wall or any combustible materials.
<b>H</b>	39" (100 cm)	Not to be installed above a meter/regulator assembly within 39" (100 cm) horizontally from the vertical center-line of the regulator and for 15' vertically.
<b>I</b>	72" (183 cm)	Clearance to gas service regulator vent outlet or within 39" (100 cm) of an oil tank vent or an oil tank fill inlet.
<b>J</b>	39" (100 cm)	Clearance to the combustion air inlet to any other appliance.
<b>K</b>	72" (183 cm)	Clearance to a mechanical air supply inlet.
<b>L</b>	84" (213 cm)	Clearance above paved side-walk or a paved driveway located on public property.
	39" (100 cm)	Clearance to property boundary.
		A vent shall not terminate underneath a veranda, porch, or deck.
		A vent shall not terminate directly above a sidewalk or a paved driveway which is located between two single family dwelling and serves both dwellings.

### United-States

- Not Less than 36" (91 cm) above any forced air inlet located within 120" (305 cm);
- Not Less than 48" (122 cm) below and horizontally from, or 12" (30 cm) above, any door, window or gravity air inlet into any building;
- Not Less than 24" (61 cm) from an adjacent building and not less than 84" (213 cm) above grade when located adjacent to a public walkway;
- Cannot be located less than 12" (30 cm) above grade;
- Cannot be located above a gas meter/regulator within 36" (91cm) horizontally of the vertical center line of the regulator;
- Not within 6 feet (183 cm) of a gas service regulator vent outlet;
- Other restrictions may apply. See NFPA 211 for further information.

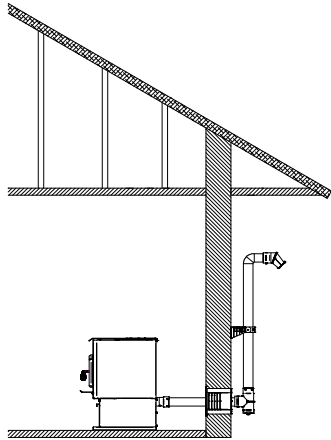
## 4.5 DIRECT VENT SYSTEM

**In Canada:** The permitted termination locations for a direct vent system are the same than those permitted with a regular pellet vent system.

**In the Unites States :** The permitted termination location for a direct vent system are the same than those permitted with a regular pellet vent system except for the following : The exit terminal shall be located not less than 9" (23 cm) from any opening through which vent gases could enter a building.

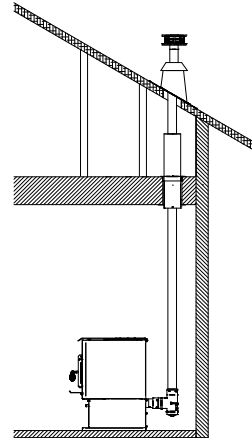
## 4.6 INSTALLATION CONFIGURATION

### 4.6.1 THROUGH WALL INSTALLATION (MAIN FLOOR OR BASEMENT)



1. Position appliance following clearances vent manufacturer's instructions.
2. Install a stove adapter or a stove adapter tee onto the appliance flue collar.
3. Locate the position of the exhaust pipe in the wall and cut a hole of the appropriate size for vent in the wall.
4. Install wall thimble as per vent manufacturer's instructions.
5. Ensure you install enough horizontal pipe length to exceed the exterior wall of 6 inches. Install a tee section to the pipe passing through the wall.
6. Run the vent vertically up the wall for at least 36". Refer to the vent manufacturer's instructions for clearances to combustible materials and installation of wall bands.
7. Install a 90 degrees elbow facing out from the wall and then attach a 45 degree elbow facing towards the ground. The termination of the vent must include a spark arrester, fastened to the 45 degrees elbow.
8. Sealed outside wall thimbles with high temperature waterproof silicone sealant.

### 4.6.2 THROUGH ROOF INSTALLATION

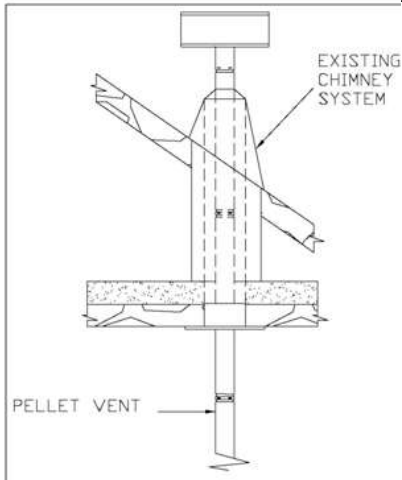


1. Position appliance following clearances and following vent manufacturer's instructions.
2. Install a stove adapter or a stove adapter tee onto the appliance flue collar. If necessary, use a horizontal additional length between the flue outlet and the tee.
3. Drop the plumb line over the center of the tee outlet and mark location on the ceiling.
4. Cut a hole for appropriate ceiling support. Frame rough opening.
5. Install ceiling support and the first vent section as per vent manufacturer's instructions.
6. Install a firestop radiation shield on any subsequent ceiling/floor, except for the attic where an attic insulation shield is required.
7. Run the necessary section of vent vertically so the rain cap exceeds the highest point of the roof at least 24" in United States and at least 36" in Canada.
8. Install roof support.
9. Install roof flashing and rain cap as per manufacturer's instructions. If necessary, install a storm collar.

#### 4.6.3 THROUGH A FACTORY BUILT CHIMNEY

##### NOTICE

Before installation, the chimney must be cleaned and inspected by a qualified chimney sweep or installer.



1. Position stove following clearances given and following vent manufacturer's instructions.
2. Install a stove adapter or a stove adapter tee onto the appliance flue collar. If necessary, use a horizontal additional length between the flue outlet and the tee.
3. Use a proper chimney adaptor for your installation.
4. Run the number of sections of vent necessary to go through the chimney adaptor into the chimney.
5. Connect the vent to a stainless steel 4" liner according to the vent manufacturer's instruction.
6. Install roof flashing and rain cap as per manufacturer's instructions. If necessary, install and seal a storm collar.

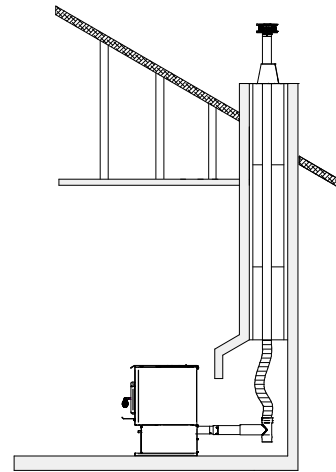
##### NOTICE

In the USA., the use of a stainless steel liner is mandatory. In Canada, it is not mandatory but is strongly recommended.

#### 4.6.4 THROUGH AN EXISTING MASONRY FIREPLACE

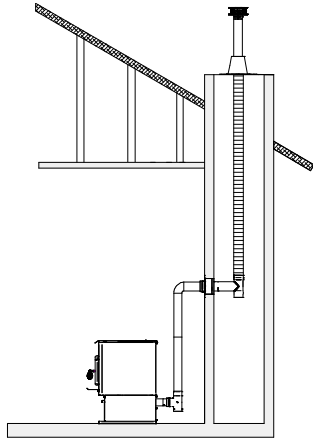
##### NOTICE

The structural condition of the masonry chimney must first be inspected by a qualified chimney sweep or installer. You will need a pipe length equal to the chimney height from the hearth. If outside combustion air is to be used, you will need a pipe length superior from 12 to 18 inches (30 to 46 cm) of the chimney height to ensure a proper stove behaviour.



1. Position stove, following clearances and following vent manufacturer's instructions.
2. Build and Install a blocking plate inside the chimney to seal the fireplace damper. Stainless steel plate and screws are recommended. Cut a hole for the exhaust pipe. If needed, cut a second hole for the air intake pipe
3. Attach a section of pipe and clean out tee to the flue outlet, making sure the clean out tee is centered in the chimney flue area.
4. Install a vented flashing at the top of the fireplace chimney. Stainless steel plate and screws are recommended. Cut a hole for the vent pipe. If needed, cut a second hole for the air intake pipe. Seal all joints with high temperature waterproof silicone sealant to prevent water leakage.
5. Seal and install vertical roof vent. If required, seal and install a storm collar.

#### 4.6.5 THROUGH AN EXISTING MASONRY CHIMNEY

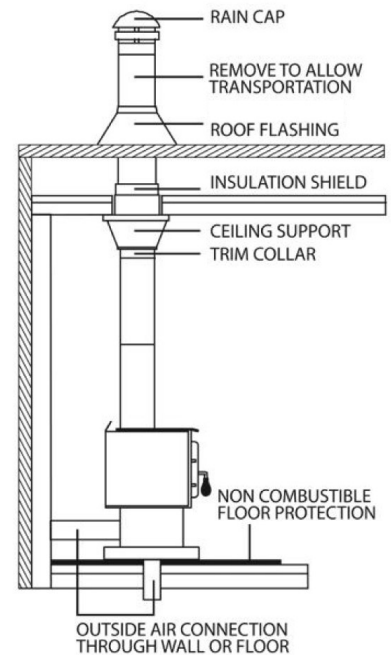


1. Position stove following clearances following vent manufacturer's instructions.
2. Mark the center of the hole where the vent pipe will go through the masonry chimney.
3. It is necessary to make a hole in the masonry with a one-inch diameter greater than the diameter of the vent pipe used.
4. Install the cleanout tee at the bottom of the vertical vent system and lower it down the chimney until the center branch of the tee is aligned with the hole in the masonry.
5. Connect the horizontal vent pipe to the cleanout tee by pushing it through the hole in the masonry.
6. If desired, once the horizontal pipe is in place, the space between the pipe and masonry may be filled with high-temperature grout.
7. Install a vented flashing at the top of the masonry chimney. Stainless steel plate and screws are recommended. Cut a hole for the vent pipe. If needed, cut a second hole for the air intake pipe. Seal all joints with high temperature waterproof silicone sealant to prevent water leakage.
8. Install and seal flashing with high temperature waterproof silicone sealant.
9. Seal and install vertical roof vent. If required, seal and install a storm collar.
10. If desired, install a trim collar and use an additional horizontal vent pipe length, if required, to connect the stove to the chimney.

#### 4.6.6 FACTORY-BUILT METAL CHIMNEYS IN MOBILE HOMES

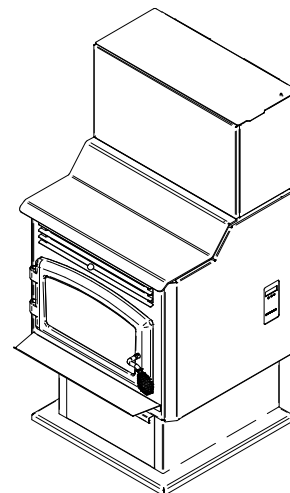
For use in a mobile home (if allowed), this stove is to be connected to a 6" double wall factory built chimney pipe conforming to ULC-S629 or UL 103HT standards for 650°C Factory-built chimney. The total length of the flue system should be at least 12 feet including elbows, from the top of the stove.

To maintain an effective vapour barrier, insulation and waterproof at the chimney and outside flue pipe, a roof flashing must be installed and sealed with silicone adhesive.



#### 5. INSTALLING THE OPTIONAL HOPPER EXTENSION

To increase the hopper capacity, it is possible to install a hopper extension, sold separately. Consult your dealer or website for details.

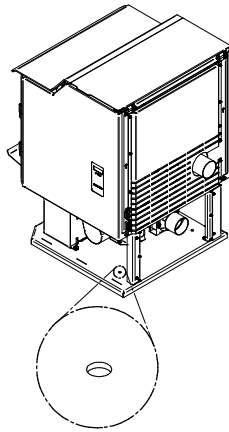




## 6. MOBILE HOME INSTALLATION

### NOTICE

For mobile home installation, it is mandatory to connect the stove to an outside combustion air source. Insulated pipe should never exceed 10 feet.



When installed in a mobile home, the stove must be anchored to the floor with two screws. Use the two anchoring holes located on each side of the pedestal, as shown on the right figure.

For use in a mobile home in Canada, this pellet stove must be connected to a vent system certified according to the standard or ULC/ORD-C441 CAN/ULC-S609. A vent system meeting the requirements of ULC S629M can also be used.

For use in a manufactured home in the United States, this pellet stove must be connected to a venting system that meets the requirements of UL 641 standard. A vent system that meets the requirements of UL 103 standard may also be used.

## 7. INSTALLING A THERMOSTAT

Using a thermostat will help you maintain a constant temperature throughout the house. A low voltage thermostat (24 volts) is required. A fixed wall mount or hand held model can be used.

### NOTICE

Thermostat manufacturer's instructions always override the information published in the following section.

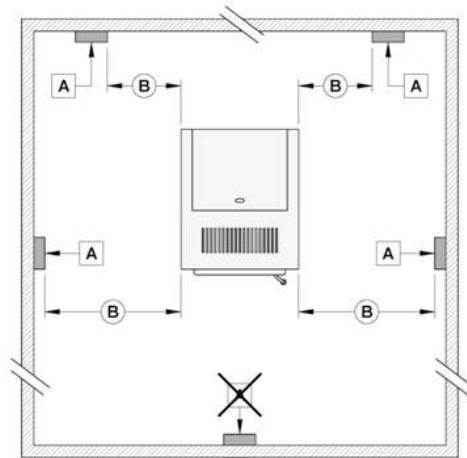
## 7.1 THERMOSTAT LOCATION

Location of the thermostat is very important to obtain comfort and efficiency from your stove.

Locate the thermostat 4 to 5 feet above the floor in accordance with applicable building codes.

Install the thermostat in a location that provides good airflow characteristics and avoid areas behind doors, near corners, air vents, direct sunlight or heat generating devices.

If the thermostat is installed in the same room as the stove, it should also be located at least 15 to 20 feet from the stove. To prevent cycling, you should avoid installing the thermostat on a poorly insulated outside wall or directly in front of the stove.



A	Thermostat
B	Minimum 15'

### NOTICE

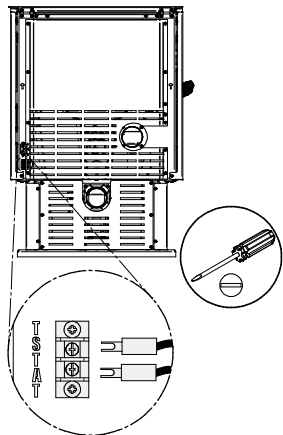
Installing the thermostat in front of the stove or in front of a window will tend to make the stove cycle too often and wear components prematurely. See operation's manual for more details on how to operate the stove with the proper pilot mode.



## 7.2 WIRED THERMOSTAT

Before installing the thermostat, unplug the power cord from the power outlet.

First, connect the two thermostat wires to the terminal block located at the rear on the right hand side of the stove when facing it. Loosen the two middle screws and insert the wires in the terminals. Tighten the two screws. Open the thermostat and connect the wires as per the manufacturer's instructions.



Open the thermostat and connect the wires as per the manufacturer's instructions.

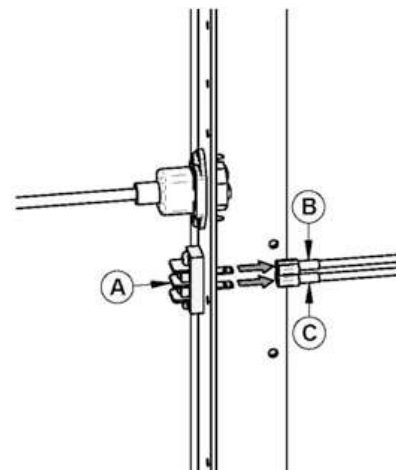
Connect one wire on "RH" and the other wire on "W". Red wire jumper can remain installed. For further information refer to the manufacturer's instructions.



## 7.3 WIRELESS THERMOSTAT

If you are using a wireless thermostat or a hand held thermostatic remote control, connect the two thermostat wires to the terminal block located at the rear on the right hand side of the stove while facing it. If the receiver wires are equipped with quick-connect terminals you can connect them directly to the stove's wiring harness.

To do so, open the right hand side decorative panels and disconnect wires (B) and (C) attached to the rear of the terminal block (A) and connect them to the receiver.

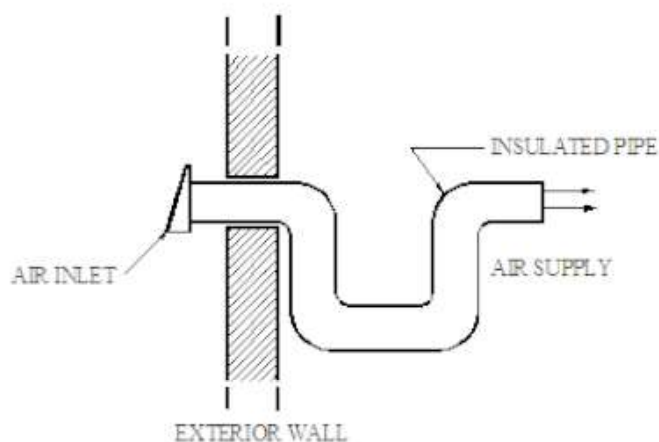


## 8. COMBUSTION AIR SUPPLY

### NOTICE

For mobile home installation, it is mandatory to connect the stove to an outside combustion air source. Insulated pipe should never exceed 10 feet.

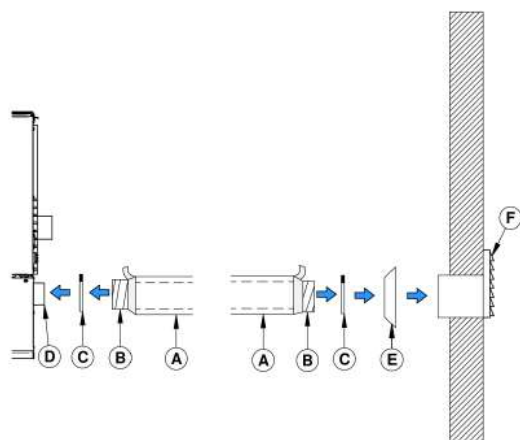
It is recommended to install an outside air inlet in or near the room where the stove is installed. When doing so, it is preferable to choose a wall which is not exposed to dominant winds, depending on the conditions surrounding your house.



An insulated 3" inside diameter metallic pipe, either flexible or rigid, must be attached to the fresh air intake (D).

To complete the installation, make a hole of 1/4" to 1/2" (6 mm à 13 mm) bigger than the insulate pipe diameter in the outside wall of the house at the chosen location. From outside, place the outside air inlet cap (E) in the hole (open side down) and fasten the register to the wall, with screw.

Place the insulated pipe (A) over the register tube and over the fireplace outside air connector (D). At each end, carefully pull back the insulation and plastic cover, exposing the flexible pipe. Attach the flexible pipe using pipe clamps(C).



For a better seal, you may also use aluminum tape. Wrap the tape around the joint between the flexible pipe and the air inlets. Carefully push the insulation and plastic cover back over the pipe. Fix the plastic in place using aluminum tape.

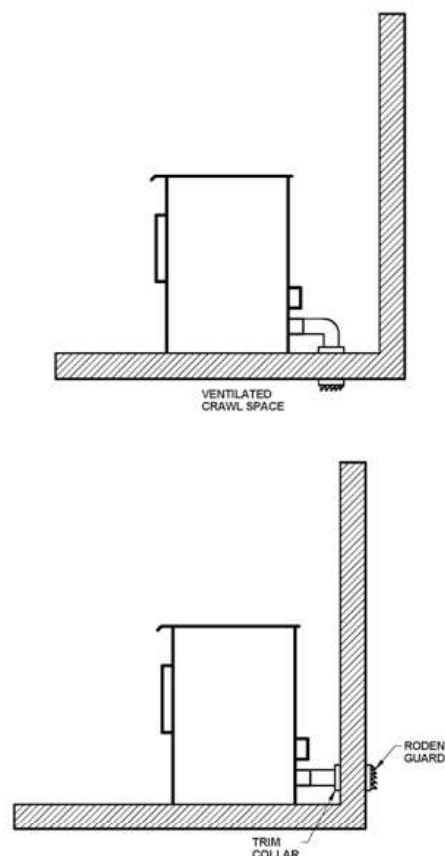
A rodent guard (minimum 1/4" wire mesh) must be used at the termination. All connections must be secured and airtight by either using the appropriately sized hose clamp and/or UL-181-AP foil tape.

Make sure that the fresh air intake back draft shutter functions freely. The fresh air intake back draft shutter is located in the back of the stove.

### 8.1 SOURCES OF OUTSIDE COMBUSTION AIR

<b>CAUTION</b>
<b>IT IS FORBIDDEN TO DRAW COMBUSTION AIR FROM A BASEMENT, AN ATTIC, A GARAGE OR ANY CONFINED SPACE</b>

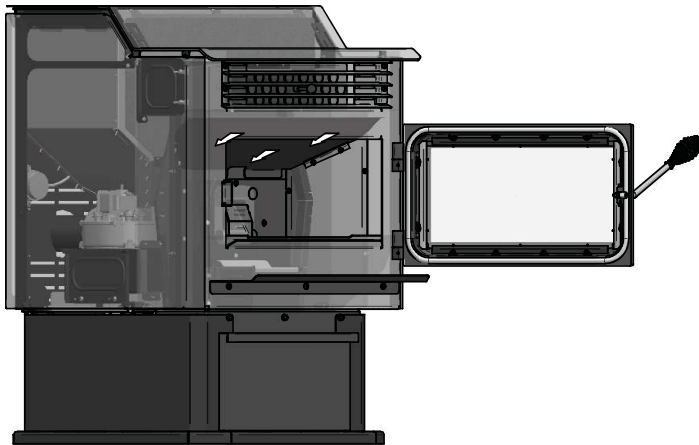
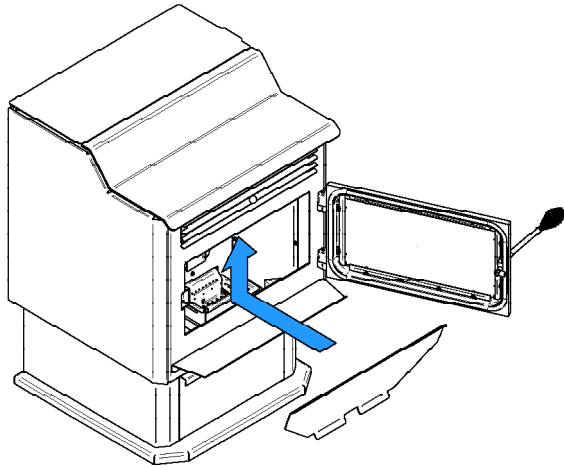
- You can draw air from a ventilated crawl space underneath the floor.
- You can draw air directly from an outside wall, behind the stove.



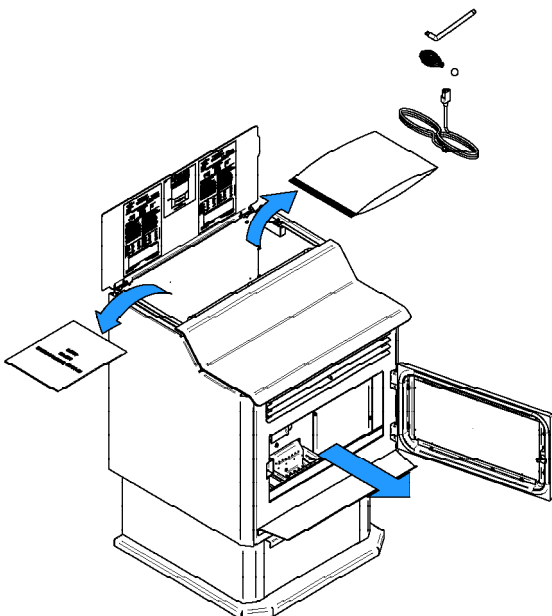
## 9. APPLIANCE SET-UP

### 9.1 GENERAL

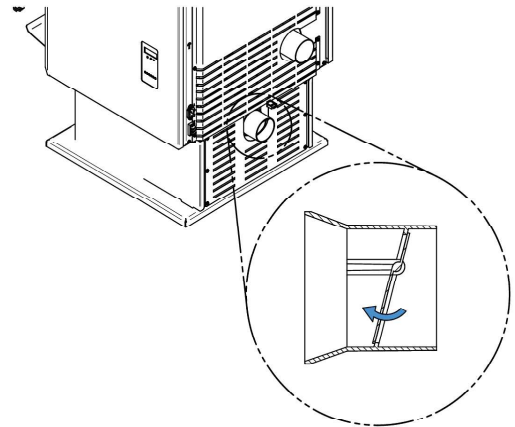
Install the baffle



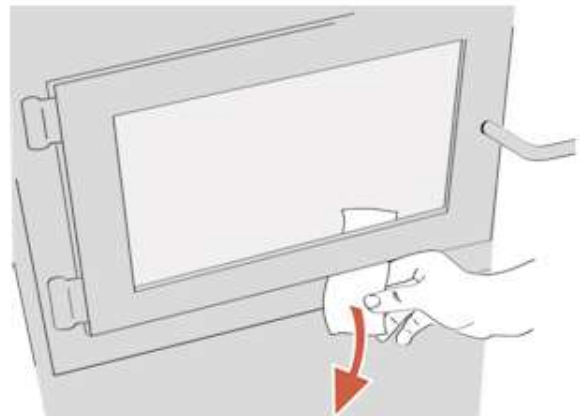
Remove all tools or accessories that have been inserted in the stove for transportation purposes.



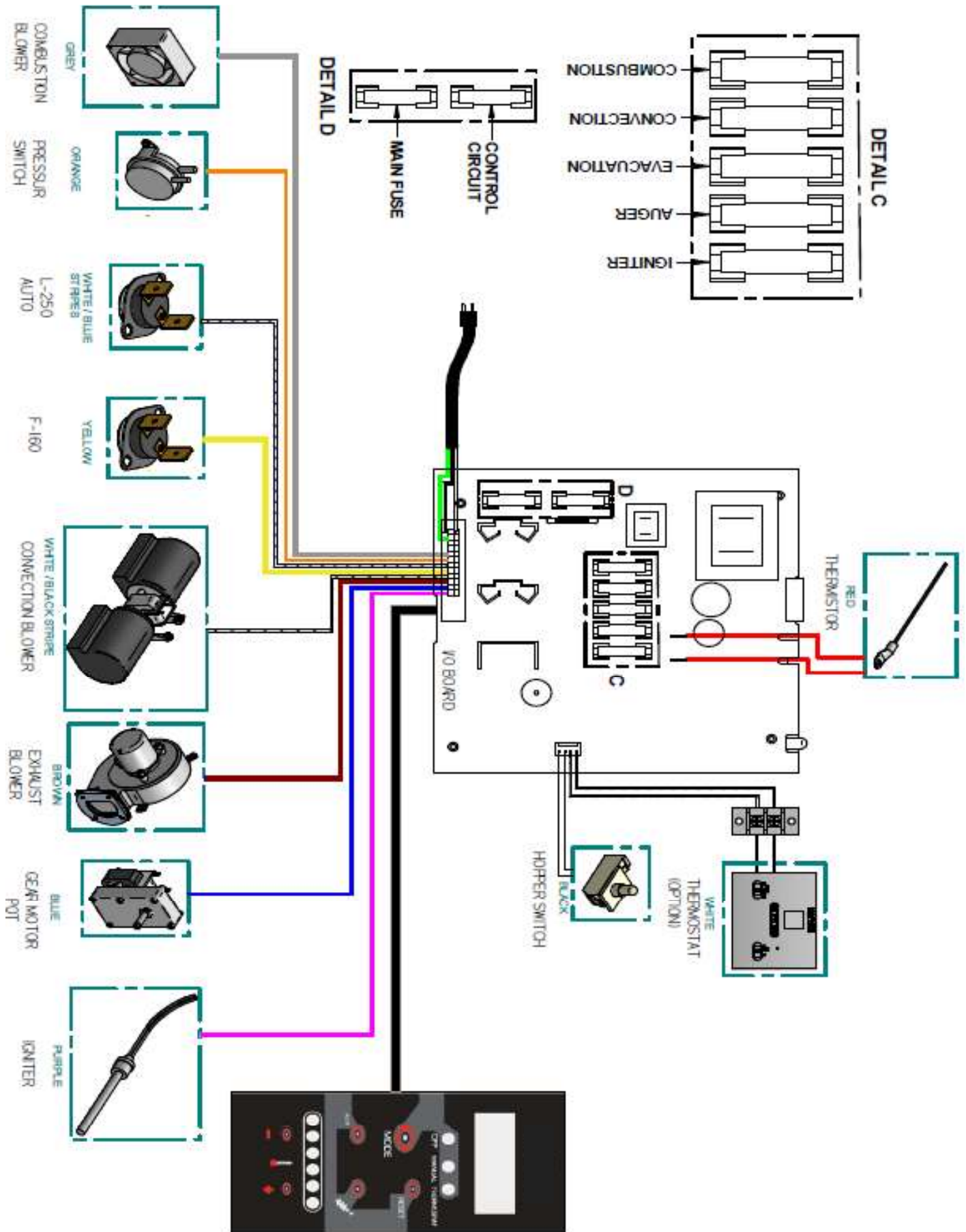
Make sure the fresh air intake back draft shutter works freely.



Test the door seal by closing and latching the door on a strip of paper. Test all around the door. The paper should not slip out easily. If it does, see the maintenance section in the operation manual.

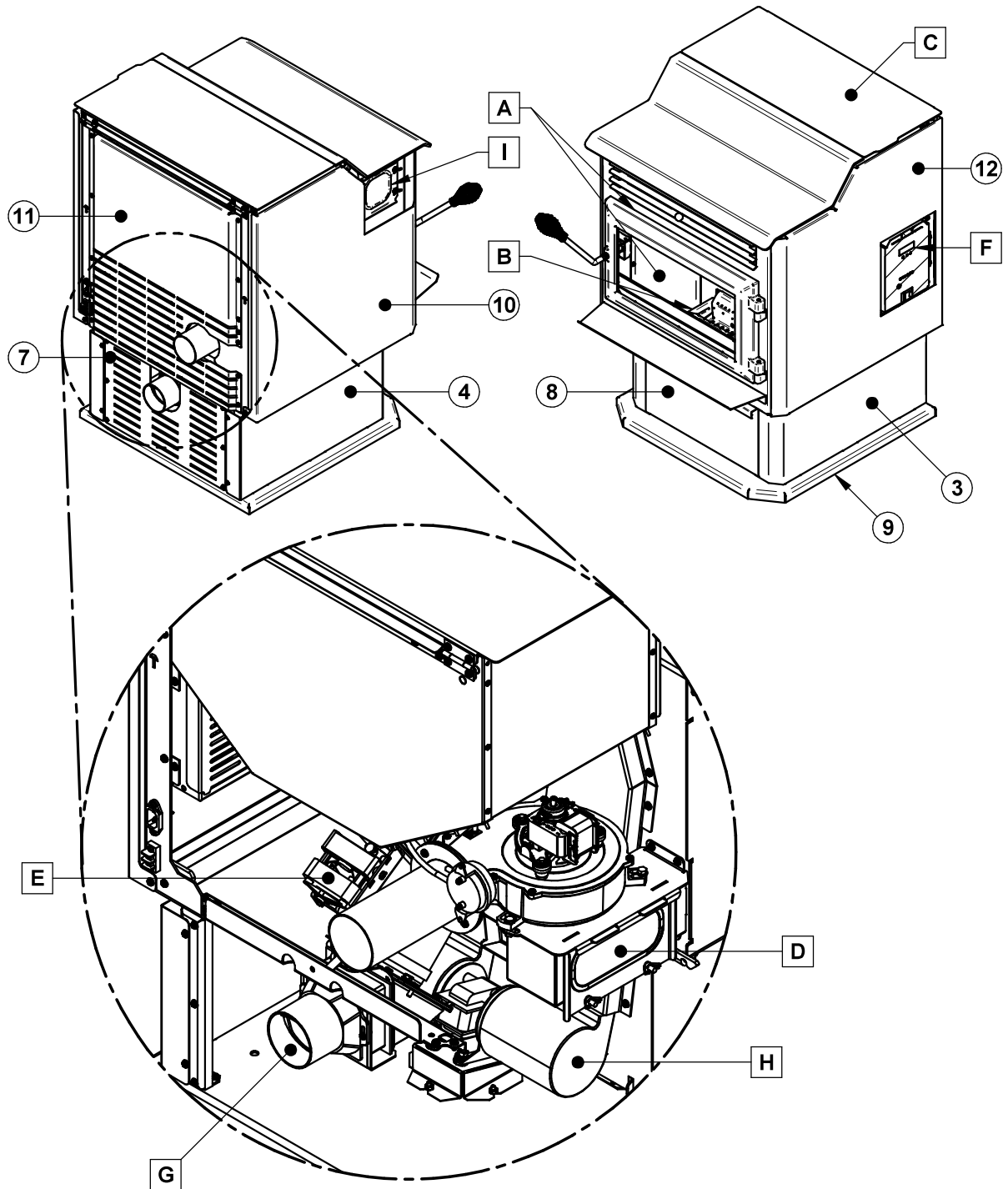


# 10. WIRING DIAGRAM

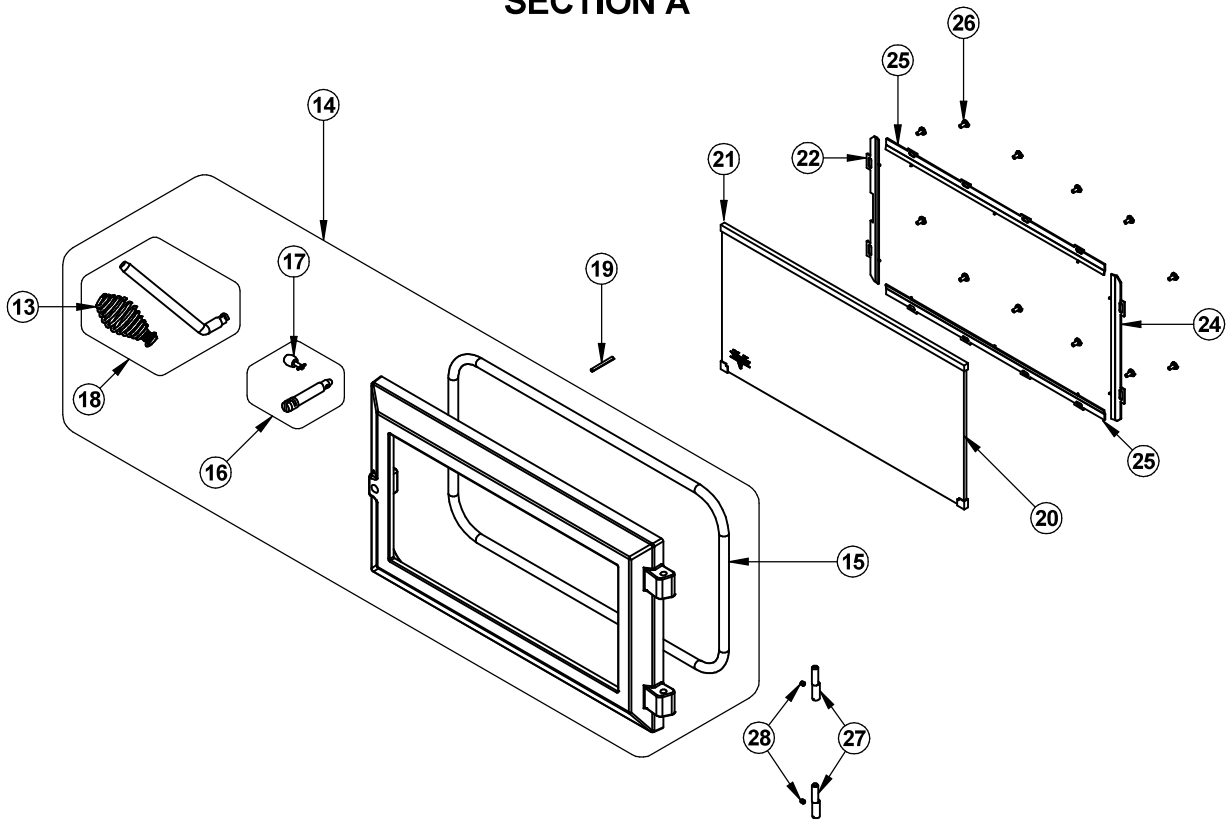


# 11. EXPLODED VIEWS AND PARTS LIST DP00070 DP00072 AND DP00071

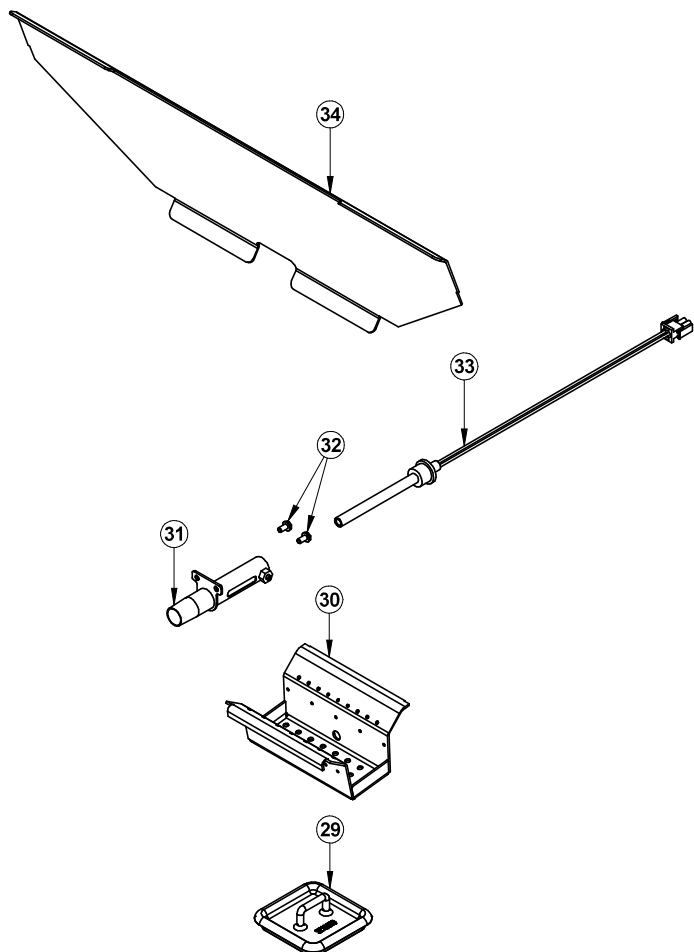
ENGLISH



# SECTION A

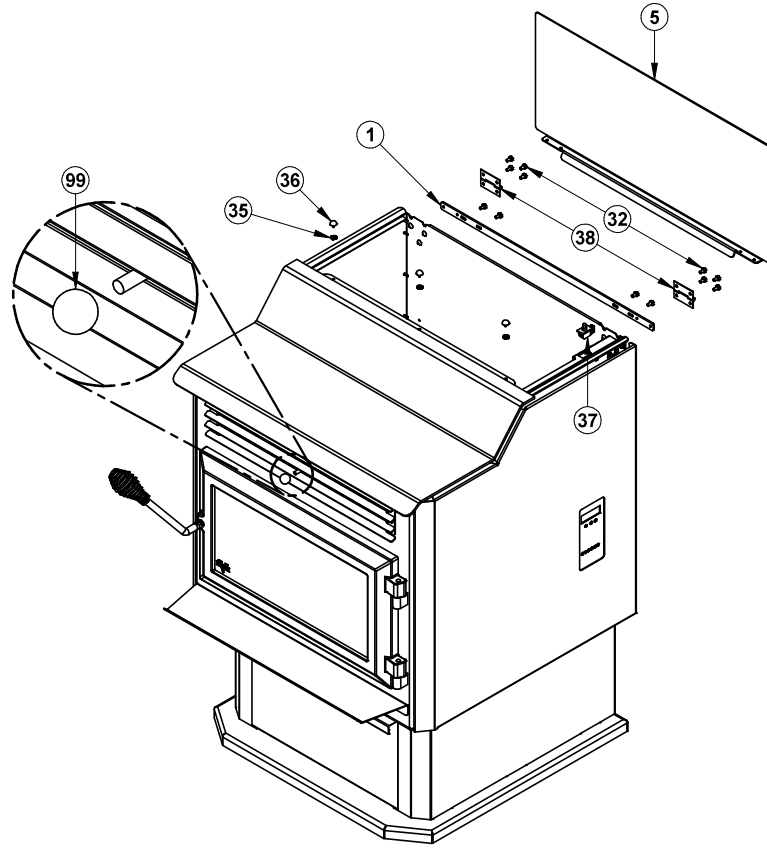


# SECTION B

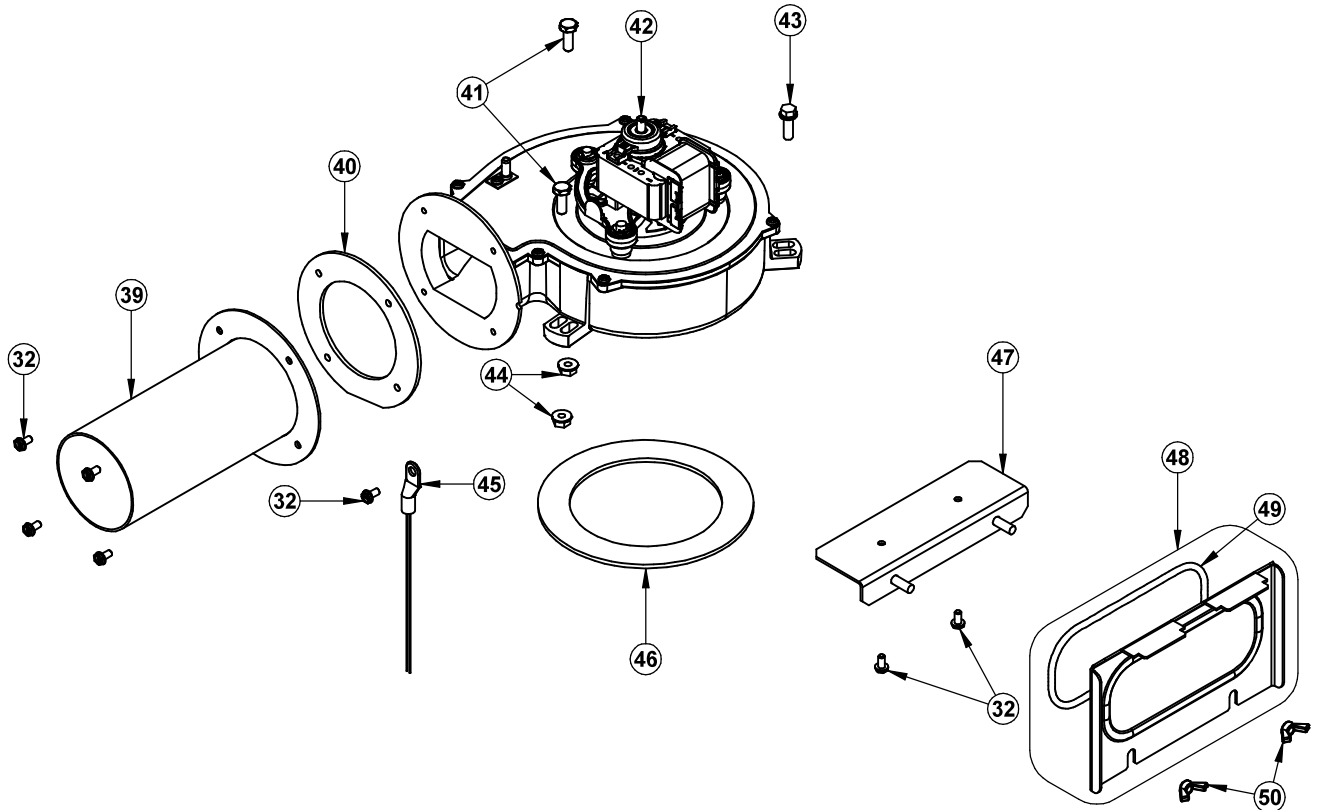




### SECTION C

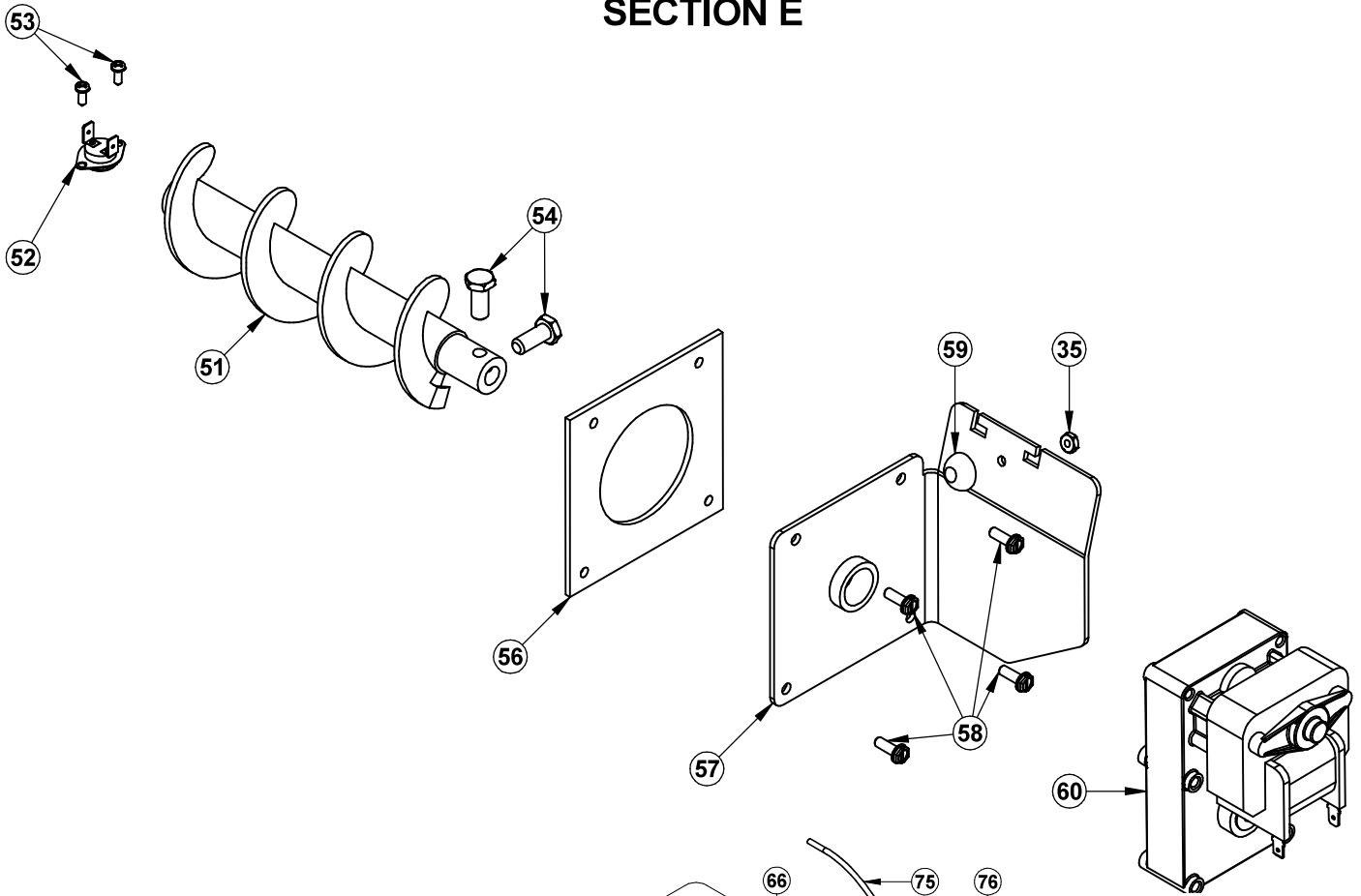


### SECTION D

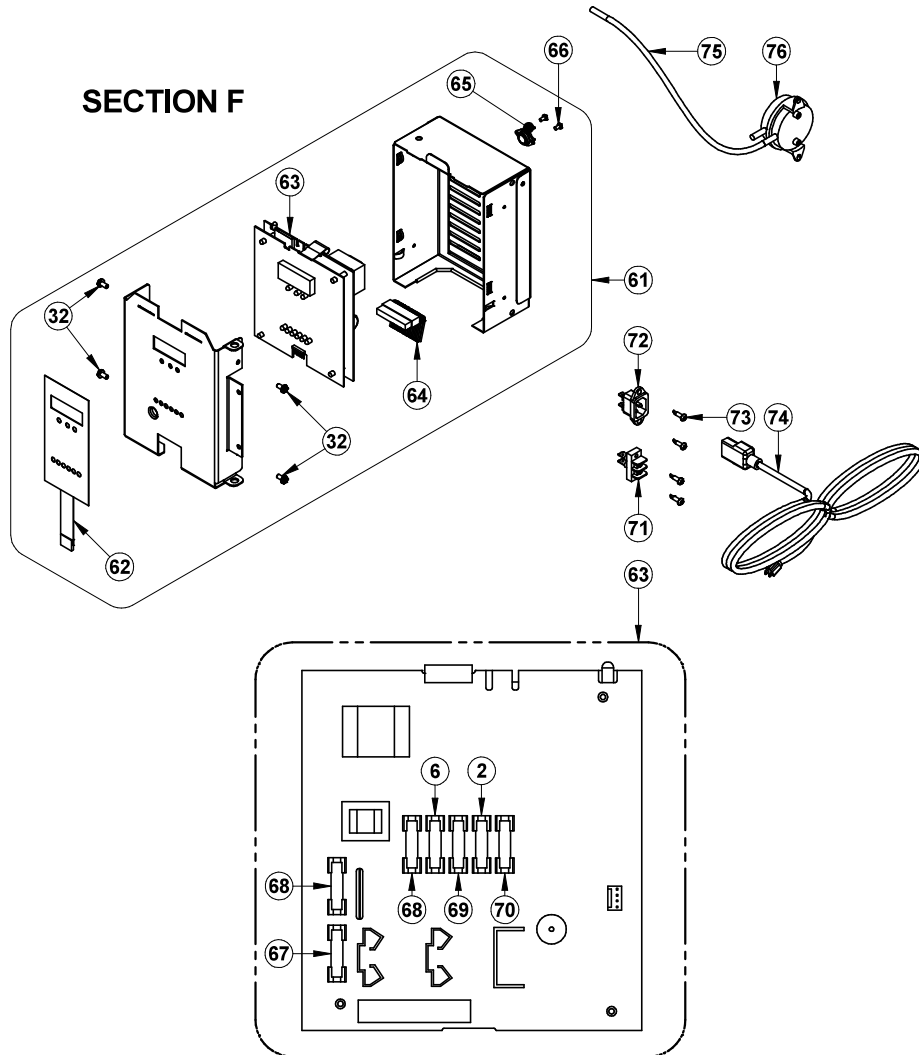




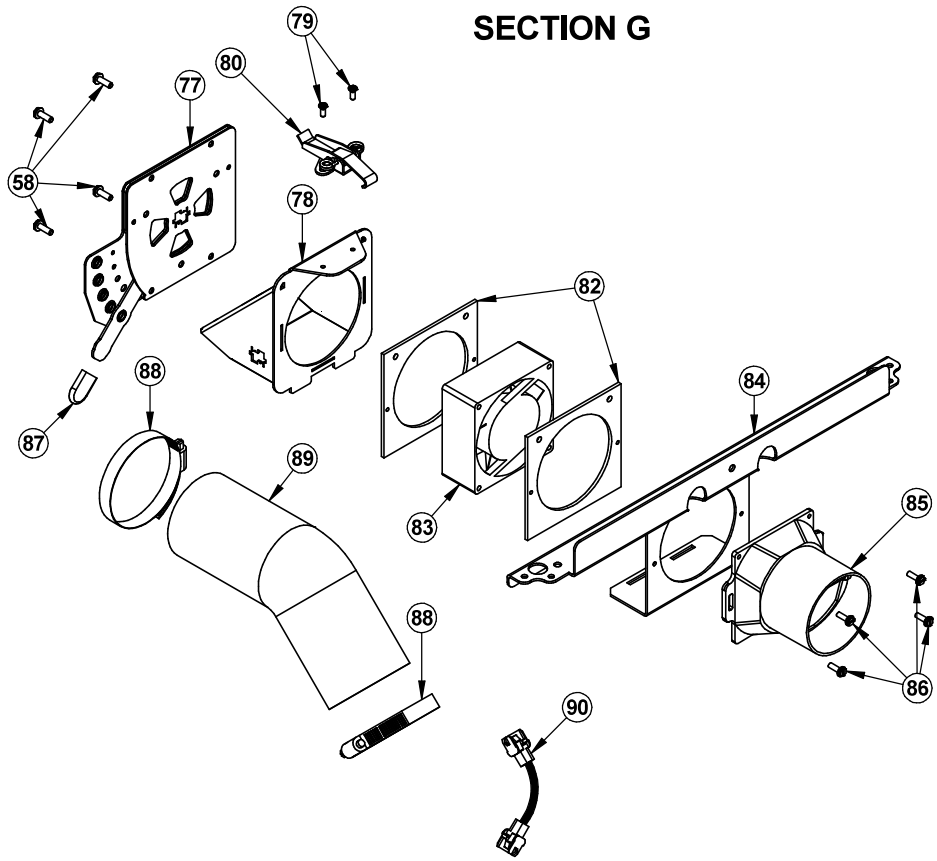
# SECTION E



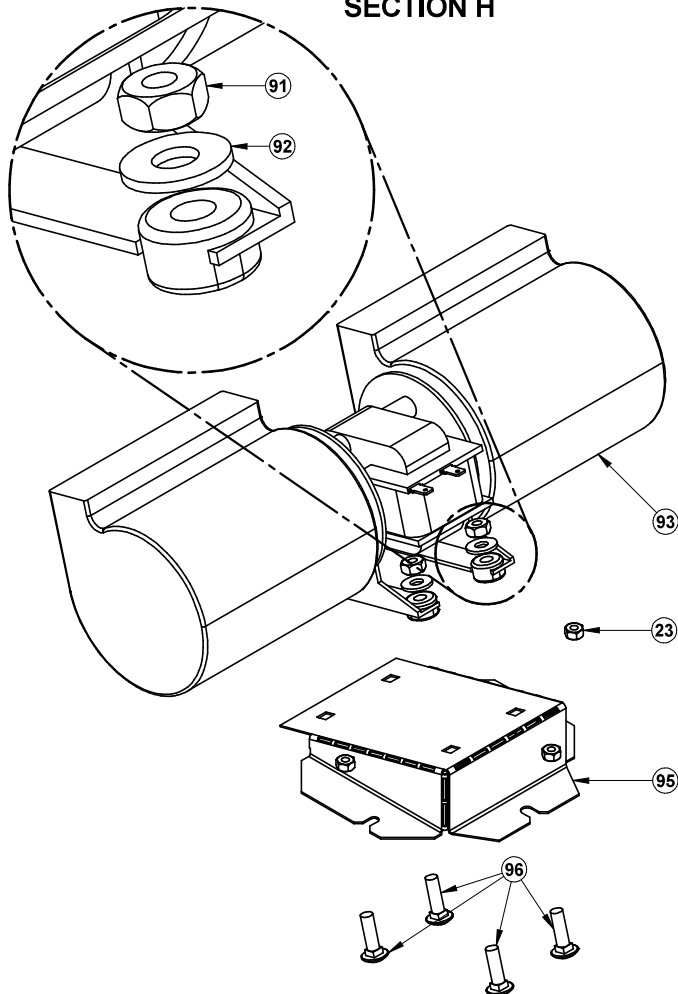
# SECTION F



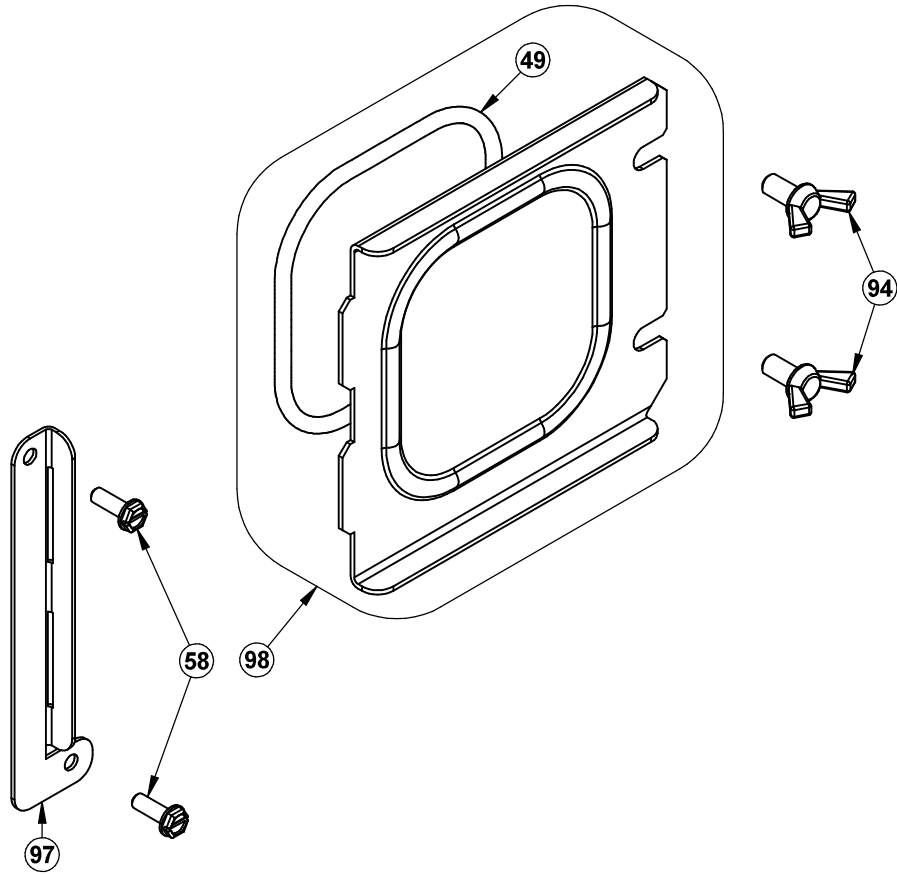
### SECTION G



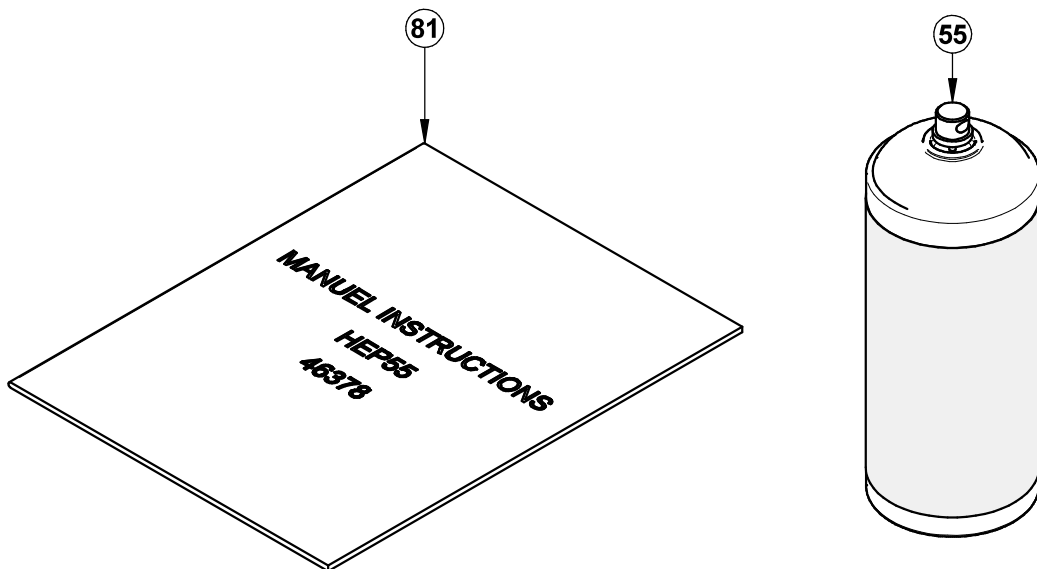
### SECTION H



## SECTION I



## SECTION J



**IMPORTANT: THIS IS DATED INFORMATION.** When requesting service or replacement parts for your stove, please provide the model number and the serial number. We reserve the right to change parts due to technology upgrade or availability. Contact an authorized dealer to obtain any of these parts. Never use substitute materials. Use of non-approved parts can result in poor performance and safety hazards and will void your warranty.

#	Part	Description	Qty
1	PL69896	LATERAL ADJUSTMENT FOR TOP	1
2	44199	FUSE GLASS 1.25A 250VAC 5X20MM SLOW BLOW	1
3	PL69997	LOWER RIGHT SIDE DECORATIVE PANEL	1
4	PL69998	LOWER LEFT SIDE DECORATIVE PANEL	1
5	PL69817	HOPPER LID	1
6	44150	FUSE 3A / 250V (5 X 20) F4-AUGER & DC IEC CONNECTOR	1
7	PL69795	LOWER BACK PANEL	1
8	SE69810	ASH DRAWER	1
9	PL69999	BASE	1
10	PL69833	LEFT SIDE DECORATIVE PANEL	1
11	PL69854	BACK PANEL	1
12	PL69832	RIGHT SIDE DECORATIVE PANEL	1
13	30105P	COIL HANDLE 1/2" BLACK	1
14	SE24407	DOOR FRAME WITH HANDLE AND GASKET WITHOUT GLASS	1
15	AC06200	SILICONE AND 1/4" X 1/2" X 11' BLACK GASKET KIT	1
16	AC09176	DOOR HANDLE AND LATCH KIT	1
17	AC09185	DOOR LATCH KIT	1
18	SE70726	REMOVABLE HANDLE	1
19	30101	SPRING TENSION PIN 5/32" DIA X 1 1/2" L	1
20	SE69819	REPLACEMENT GLASS WITH GASKET	1
21	AC06400	3/4" (FLAT) X 6' BLACK SELF-ADHESIVE GLASS GASKET	1
22	PL52719	HANDLE SIDE GLASS RETAINER	1
23	30221	LOCK NUT HEX #8-32 NYLON	1
24	PL52717	HINGE SIDE GLASS RETAINER	1
25	PL52718	AIR DEFLECTOR TRIM	1
26	30124	SCREW #8 - 32 X 5/16" TRUSS QUADREX ZINC	12
27	30579	ADJUSTABLE HINGE PIN 3/8" Ø - 5/16" X 1 63/64" L	2
28	30117	BLACK SET SCREW #10-32 X 3/16"	2
29	SE16059	ASH PLUG	1
30	SE69759	BURN POT	1
31	44192	IGNITOR TUBE	1
32	30029	THREAD CUTTING SCREW 10-24 TYPE "F" X 3/8" HEX WASHER	16
33	SE44132	IGNITER ASSEMBLY 120V 300W	1
34	PL69777	FIRE BAFFLE	1
35	30417	BLACK HEX NUT #8-32	3
36	30370	RUBBER BUMPER WITH THREADS (SMALL)	3

#	Part	Description	Qty
37	44098	HOPPER LID SAFETY SWITCH	1
38	30013	HINGE 2" X 1 1/2"	2
39	SE69785	EXHAUST PIPE ASSEMBLY	1
40	21392	EXHAUST ADAPTER GASKET	1
41	30093	BOLT 1/4-20 X 3/4" HEX GRADE 5	2
42	SE44193	EXHAUST FAN WITH GASKETS	1
43	30094	HEX SCREW WASHER HEAD 1/4-20 X 3/4" F ZINC TYPE	1
44	30220	FLANGED LOCKNUT 1/4-20	2
45	SE44095	THERMISTOR ASSEMBLY	1
46	21393	EXHAUST BLOWER GASKET	1
47	PL69764	SUPPORT EXHAUST TRAP	1
48	SE69803	EXHAUST CLEANING PANEL ASSEMBLY	1
49	AC06815	BLACK GASKET AND SILICONE KIT 3/16" X 5'	1
50	30484	WING NUT 1/4-20	2
51	24017	CAST IRON AUGER	1
52	44059	THERMODISC 36T11 L250-25 AUTOMATIC	1
53	30138	METAL SCREW #6 3/8" QUADREX "A" TYPE BLACK	2
54	30092	BOLT 5/16"-18 X 3/4" HEX GRADE 5	2
55	AC05959	METALLIC BLACK STOVE PAINT - 342 g (12oz) AEROSOL	1
56	21110	AUGER PLATE GASKET	1
57	PL69773	AUGER BUSHING SUPPORT PLATE	1
58	30026	THREAD CUTTING SCREW 10-24 F 5/8" HEX WASHER HEAD	10
59	30369	RUBBER BUMPER WITH THREADS (LARGE)	1
60	44106	GEAR MOTOR FOR PELLET STOVE AUGER 1.5 RPM	1
61	SE69791	CONTROL BOARD BOX ASSEMBLY	1
62	44148	MEMBRANE SWITCH CONTROL BOARD	1
63	PL69855	CONTROL BOARD 55 SERIE	1
64	60382	WIRING HARNESS	1
65	44058	THERMODISC 36T12 F160	1
66	30080	METAL SCREW #6 X 1/4 TYPE B PAN PHILLIPS	2
67	44149	FUSE 8A / 250V (5 X 20) F3-MAIN OR F8 IGNITER	1
68	44152	FUSE 0.5A / 250V (5 X 20) F2-INTERFACE	2
69	44200	FUSE GLASS 2A 250VAC 5X20MM SLOW BLOW	1
70	44201	FUSE GLASS 4A 250VAC 5X20MM SLOW BLOW	1
71	60036	THERMOSTAT TERMINAL	1
72	60196	POWER CORD RECEPTACLE	1
73	30155	METAL SCREW #8 X 5/8" PHILLIPS SELFTAPPING TEK ZINC	4
74	60331	POWER CORD 6'	1
75	49004	PRESSURE SWITCH HOSE	1
76	44029	PRESSURE SWITCH	1
77	SE69849	AIR CONTROL DAMPER ASSEMBLY	1
78	PL69784	AIR INTAKE PLATE	1

#	Part	Description	Qty
79	30021	SELF TAPPING SCREW 8-32 "F" TYPE X 7/16" FLAT HEAD PHILLIPS BLACK	2
80	30439	SPRING CLAMP ZINC PLATED BRIGHT CHROMATE DIP	1
81	SE46378	USER MANUAL	1
82	21400	COMBUSTION FAN GASKET	2
83	44195	AXIAL BLOWER ASSEMBLY 115V 9W 92 X 92 X 38	1
84	PL69799	AIR CONTROL BRACKET	1
85	30777	PLASTIC BACKDRAFT DAMPER ASSEMBLY	1
86	30502	SELF TAPING SCREW #8 - 32 X 1/2" TYPE F x 3/4 HEX FLAT HEAD	4
87	30556	AIR CONTROL FINISHING TIP	1
88	49400	2 1/2" TO 3 1/2" STEEL COLLAR	2
89	21381	2 FOLD ALUMINUM LINER 3" X 6" COMPRESSED	1
90	60383	IGNITER JUNCTION WIRE	1
91	30100	BLACK HEX NUT 1/4 - 20	4
92	30185	17/64" "AA" TYPE WASHER	4
93	44122	DOUBLE CAGE BLOWER 176 CFM (CLASS H)	1
94	30485	WING NUT 1/4-20 X 1/2" ZINC PLATTED	3
95	PL69805	CONVECTION FAN SUPPORT	1
96	30446	CARRIAGE BOLT 1/4 - 20 x 1" ZINC	4
97	PL69802	CLEANING ACCESS PANEL SUPPORT	1
98	SE69804	CLEANING ACCESS PANEL WITH GASKET	1
99	30562	3/4" x 1/4"-20 ROUND HANDLE FOR EXCHANGER ROD	1