

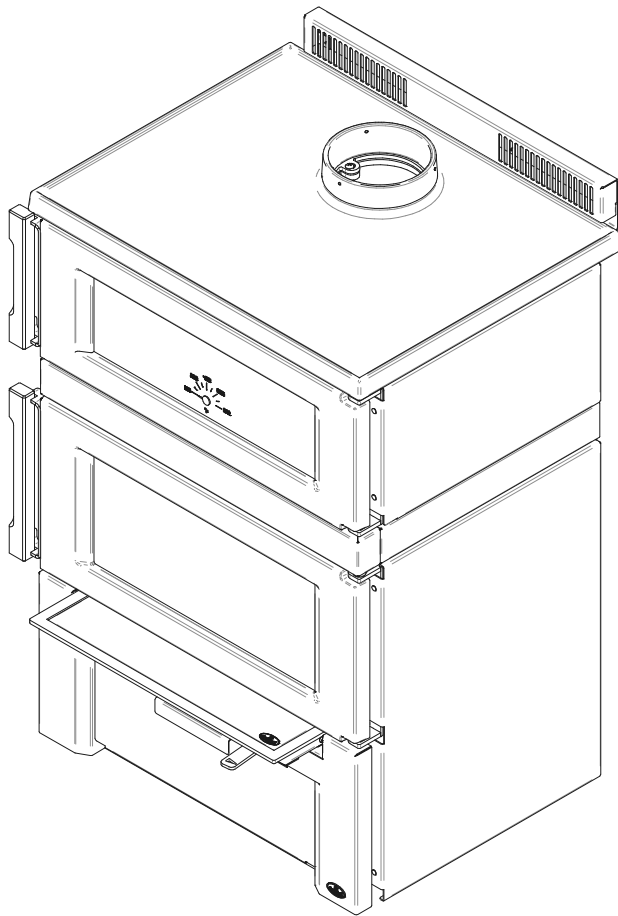


# Installation and Operation Manual

## GUSTO WOOD BURNING COOKSTOVE

(OB02047 model)

ENGLISH



US Environmental Protection Agency  
phase II certified wood stove  
compliant with 2020 cord wood  
standard



Security test made according to  
regulations ULC S627 and UL 1482  
by an accredited laboratory.

CONTACT LOCAL BUILDING OR FIRE OFFICIALS ABOUT RESTRICTIONS AND INSTALLATION INSPECTION REQUIREMENTS IN LOCAL AREA.

READ THIS ENTIRE MANUAL BEFORE INSTALLATION AND USE OF THIS WOOD STOVE. FAILURE TO FOLLOW THESE INSTRUCTIONS COULD RESULT IN PROPERTY DAMAGE, BODILY INJURY OR EVEN DEATH.

**READ AND KEEP THIS MANUAL FOR REFERENCE**



# THANK YOU FOR CHOOSING THIS WOOD BURNING COOKSTOVE.

**If this cookstove is not properly installed, a house fire may result.**

**To reduce the risk of fire, follow the installation instructions in this manual.**

As one of North America's largest and most respected wood stove and fireplace manufacturers, Stove Builder International takes pride in the quality and performance of all its products.

The following pages provide general advice on wood heating, detailed instructions for safe and effective installation, and guidance on how to get the best performance from this cookstove.

It is highly recommended that this cookstove be installed and serviced by professionals who are certified in the United States by NFI (National Fireplace Institute®) or in Canada by WETT (Wood Energy Technology Transfer) or in Quebec by APC (Association des Professionnels du Chauffage).

Contact local building or fire officials about restrictions and installation inspection requirements in your local area.

A building permit might be required for the installation of this cookstove and the chimney that it is connected to. It is also highly recommended to inform your home insurance company.

Please read this entire manual before installing and using this cookstove.

## ONLINE WARRANTY REGISTRATION

If the unit requires repairs during the warranty period, proof of purchase must be provided. The purchase invoice must be kept. The date indicated on it establishes the warranty period. If it can not be provided, the warranty period will be determined by the date of manufacture of the product.

It is also highly recommended to register the warranty online at

<https://www.osburn-mfg.com/en/warranty/warranty-registration/>

Registering the warranty will help to quickly find the information needed on the unit.

# TABLE OF CONTENTS

|  |           |
|--|-----------|
| <b>CERTIFICATION PLATE</b> .....                       | <b>6</b>  |
| <b>PART A - OPERATION AND MAINTENANCE</b> .....        | <b>7</b>  |
| <b>1. Safety Information</b> .....                     | <b>7</b>  |
| <b>2. General information</b> .....                    | <b>9</b>  |
| 2.1 Performances.....                                  | 9         |
| 2.2 Specifications .....                               | 10        |
| 2.3 Cookstove Dimensions .....                         | 11        |
| 2.4 EPA Loading Procedure .....                        | 13        |
| <b>3. Cookstove operation</b> .....                    | <b>17</b> |
| 3.1 Components use .....                               | 17        |
| 3.2 Gas path.....                                      | 21        |
| 3.3 Blower Operation .....                             | 22        |
| <b>4. Combustibles</b> .....                           | <b>23</b> |
| 4.1 Tree Species .....                                 | 23        |
| 4.2 Log Length .....                                   | 24        |
| 4.3 Piece Size.....                                    | 24        |
| 4.4 Drying Time .....                                  | 24        |
| <b>5. Efficient wood combustion</b> .....              | <b>25</b> |
| 5.1 General Advice.....                                | 25        |
| 5.2 First Use .....                                    | 26        |
| 5.3 Lighting Fires .....                               | 26        |
| 5.4 Combustion Cycles .....                            | 27        |
| 5.5 Rekindling a Fire.....                             | 28        |
| 5.6 Air Intake Control .....                           | 28        |
| 5.7 Carbon Monoxide.....                               | 29        |
| <b>6. Maintenance</b> .....                            | <b>30</b> |
| 6.1 Combustion Chamber .....                           | 30        |
| 6.2 Removing ashes .....                               | 30        |
| 6.3 Grills and cast iron cooking surface .....         | 31        |
| 6.4 Cleaning and Painting .....                        | 31        |
| 6.5 Refractory Materials and Baffle.....               | 31        |
| 6.6 Glasses .....                                      | 32        |
| 6.7 Decorative Panels.....                             | 39        |
| 6.8 Fresh Air Intake Kit Installation .....            | 40        |
| 6.9 Log retainers installation .....                   | 43        |
| 6.10 Center molding installation .....                 | 44        |
| 6.11 Optional Blower and Thermodisc Installation ..... | 45        |



6.12 Air Tubes And Baffle Installation .....46

6.13 Handles installation .....47

6.14 Mobile Home Installation.....48

6.15 Level the product as needed .....48

6.16 Exhaust System .....50

**PART B - INSTALLATION.....52**

**7. General Information..... 52**

7.1 Security .....52

7.2 Regulations Governing the Installation of the Cookstove .....53

7.3 Cookstove Positioning .....53

7.4 Location of the Certification Label .....53

**8. Clearances to Combustible Material ..... 54**

8.1 Floor Protection .....57

8.2 Clearances Reduction to the Walls and the Ceiling .....58

8.3 Clearances for Shield Installation .....60

**9. Evacuation System..... 62**

9.1 General Information .....62

9.2 Suitable Chimneys.....62

9.3 Minimum Chimney Height .....64

9.4 Chimney Location.....64

**10. Installing the Chimney Connector..... 66**

10.1 Installation of Single Wall Chimney Connector .....66

10.2 Installation of Double wall Chimney Connector .....68

**11. Combustion Air..... 69**

11.1 Mobile home .....69

11.2 Conventional House .....70

**12. Troubleshooting ..... 71**

**13. Parts List..... 72**

**GUSTO Cooking Stove Limited Lifetime Warranty .....76**

|                       |       |
|-----------------------|-------|
| Dealer:               | _____ |
|                       | _____ |
| Installer:            | _____ |
|                       | _____ |
| Phone Number:         | _____ |
| <b>Serial Number:</b> | _____ |

# CERTIFICATION PLATE



REFER TO INTERTEK'S DIRECTORY OF BUILDING PRODUCTS FOR DETAILED INFORMATION  
SE RÉFÉRER AU RÉPERTOIRE DES PRODUITS HOMOLOGUÉS D'INTERTEK POUR PLUS D'INFORMATION

US STANDARDS / NORMES D'ESSAI: Certified to/Certifié selon CAN/ULC S629  
Certified to/Certifié selon UL 1482  
Certified to/Certifié selon ASTM E3053  
Certified to/Certifié selon ASTM E2515

Intertek

February/Février 2024

Control Number (SA) : 4002461

LISTED SOLID FUEL BURNING COOK STOVE  
CUISINIÈRE À COMBUSTIBLE SOLIDE  
HOMOLOGUÉE

MODEL / MODÈLE :

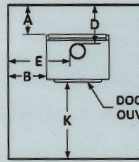
GUSTO

Serial Number

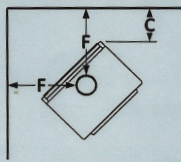
No. de Série

999

## Clearances to combustibles / Dégageements aux combustibles

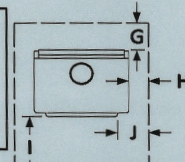


CANADA



U.S.A.

Back / Arrière



| CANADA   |   | U.S.A.  |   | Protection de plancher/Floor protection |                        |
|--|---|---|---|---|------------------------|
| Single wall connector<br>Tuyau à paroi simple      | Double wall connector<br>Tuyau à paroi double | Single wall connector<br>Tuyau à paroi simple | Double wall connector<br>Tuyau à paroi double | CANADA                                  | U.S.A.                 |
| A: 15 in./po. (381 mm)                             | A: 6 in./po. (152 mm)                         | A: 15 in./po. (381 mm)                        | A: 6 in./po. (152 mm)                         | G: 8 in./po. (203 mm)                   | I: 16 in./po. (406 mm) |
| B: 15 in./po. (381 mm)                             | B: 15 in./po. (381 mm)                        | B: 15 in./po. (381 mm)                        | B: 15 in./po. (381 mm)                        | H: 8 in./po. (203 mm)                   | J: 8 in./po. (203 mm)  |
| C: 7.5 in./po. (191 mm)                            | C: 5 in./po. (127 mm)                         | C: 7.5 in./po. (191 mm)                       | C: 5 in./po. (127 mm)                         | I: 18 in./po. (457 mm)                  | K: 36 in./po. (914 mm) |
| D: 18 in./po. (457 mm)                             | D: 9 in./po. (229 mm)                         | D: 18 in./po. (457 mm)                        | D: 9 in./po. (229 mm)                         | K: 48 in./po. (1219 mm)                 |                        |
| E: 25 in./po. (635 mm)                             | E: 24.75 in./po. (629 mm)                     | E: 25 in./po. (635 mm)                        | E: 24.75 in./po. (629 mm)                     |   |                        |
| F: 18 in./po. (457 mm)                             | F: 15 in./po. (381 mm)                        | F: 18 in./po. (457 mm)                        | F: 15 in./po. (381 mm)                        |   |                        |
| Floor-ceiling/plancher-plafond: 72 in./po. (183cm) |   |   |   |   |                        |

\* See owner's manual for other clearances with lowered ceiling/  
voir manuel d'installation pour autres dégageements avec plafond abaissé

### PREVENT HOUSE FIRES

- Install and use only in accordance with the manufacturer's installation and operating instructions.
- Contact local building or fire officials about restrictions and installation inspection in your area.
- Use listed 152 mm / 6 in. diameter single or double wall connectors with prefabricated chimneys approved UL 103 HT (US) and ULC S629 (CAN) suitable for solid fuels or lined masonry chimneys.
- See local building code and manufacturer's instructions for precautions required for passing a chimney through a combustible wall or ceiling.
- This stove must be installed as a free-standing cook stove with the clearances listed in the manufacturer's installation instructions. It is forbidden to install this stove in a factory-built fireplace.
- The space heater must be installed with legs provided, attached as shown in the installation instruction.
- Do not pass connector through combustible wall or ceiling.
- Do not connect this unit to a chimney serving another appliance.
- Use with wood only. Do not use other fuels.
- Operate only with door closed. Open door to feed the stove only.
- Do not obstruct the space underneath the stove.
- Do not use grate or elevate fire. Build fire directly on hearth.
- Do not overfire. If heater or chimney connector glows, you are overfiring.
- Inspect and clean chimney frequently. Under certain condition of use, creosote buildup may occur rapidly.
- Replace glass with ceramic tile only.
- Install unit on a non-combustible material extending as shown above on this label.
- Suitable for mobile-home installation. Floor protection may vary from pedestal to legs version refer to owner's manual.
- Combustion air openings shall not be obstructed.
- This wood heater needs periodic inspection and repair for proper operation. Consult the owner's manual for further information. It is against US federal regulations to operate this wood heater in a manner inconsistent with the operating instructions in the owner's manual.

### PRÉVENEZ LES INCENDIES

- Installer et utiliser conformément au manuel d'utilisation du fabricant.
- Contactez les autorités de votre localité ayant juridiction concernant les restrictions et inspections d'installation.
- Utiliser des tuyaux d'évacuation à parois simple ou double homologués d'un diamètre de 6 po. (152 mm) avec une cheminée préfabriquée approuvée UL 103 HT (US) et ULC S629 (CAN) pour utilisation au bois ou une cheminée de maçonnerie gainée.
- Voit les codes locaux et le manuel d'installation du fabricant pour le passage de la cheminée à travers un mur ou un plafond combustible.
- Ne pas traverser un plafond ou un mur combustible avec un tuyau d'évacuation.
- Ce poêle doit être installé comme une cuisinière autonome avec les dégageements indiqués dans les instructions d'installation du fabricant. Il est strictement défendu d'installer ce poêle dans un foyer préfabriqué.
- Le poêle doit être installé avec les pattes fournies, fixées comme indiqué dans les instructions d'installation.
- Ne pas raccorder cet appareil à une cheminée déservant un autre appareil.
- Brûler du bois seulement. Ne pas utiliser d'autres combustibles.
- Garder la porte fermée en tout temps. Ouvrir la porte que lors du chargement.
- Ne rien entreposer sous l'appareil.
- Ne pas utiliser de grilles ou de chenets pour surélever le feu. Préparer le feu directement sur l'âtre.
- Ne pas surchauffer. Si l'appareil ou le tuyau rougit, il y a surchauffe.
- Inspecter et nettoyer la cheminée fréquemment. Sous certaines conditions, l'accumulation de crésote peut être rapide.
- Remplacer la vitre seulement avec un verre de céramique.
- Installer l'appareil sur une plaque non combustible tel qu'indiqué sur l'étiquette.
- Poêle approuvé pour maison mobile. La protection de plancher peut varier entre la version piédestal et sur pattes. Voir le manuel d'instructions.
- Les entrées d'air servant à la combustion ne doivent pas être obstruées.
- Cet appareil de chauffage requiert des inspections et réparations périodiques. Consulter le manuel de l'utilisateur pour plus d'information. Opérer cet appareil de chauffage de façon inconsistente par rapport au manuel de l'utilisateur consiste une violation de la loi fédérale (USA).

Optional blower: AC02050 (115V, 0.8A, 60Hz)

Option ventilateur: AC02050 (115V, 0.8A, 60Hz)

U.S. ENVIRONMENTAL PROTECTION AGENCY Certified to comply with 2020 particulate emission standards using cordwood.

AGENCE DE PROTECTION DE L'ENVIRONNEMENT DES É.-U. Conforme aux normes d'émission de particules de 2020 avec bûche de bois.

Weighted average emission rate: / Moyenne pondérée des émissions: 2.0 g/h

Tested and certified in compliance with CFR 40 part 60, subpart AAA, section 60.534(a)(1)(ii)



WARNING: This product can expose you to carbon monoxide, which is known to the State of California to cause cancer, birth defects or other reproductive harm.  
(For more information go to [www.p65warnings.ca.gov](http://www.p65warnings.ca.gov))



## CAUTION

- HOT WHILE IN OPERATION.
- DO NOT TOUCH. KEEP CHILDREN, CLOTHING AND FURNITURE AWAY.
- CONTACT MAY CAUSE SKIN BURNS. SEE NAME-PLATE AND INSTRUCTIONS.

## ATTENTION

- CHAUD EN FONCTIONNEMENT.
- NE PAS TOUCHER. GARDER LES ENFANTS, LES VÊTEMENTS ET LES MEUBLES ÉLOIGNÉS.
- UN CONTACT AVEC LA PEAU PEUT OCCASIONNER DES BRÛLURES. VOIR LES INSTRUCTIONS.

Made in St-Augustin-de-Desmaures, (Qc), Canada

16/02/2024

(# Test)



Fabricant de poêles international  
Stove Builder International

Fabriqué à St-Augustin-de-Desmaures, (Qc), Canada

16/02/2024

(# Test)

27975

ENGLISH

## PART A - OPERATION AND MAINTENANCE

### 1. Safety Information

- Operate only with doors fully closed. If door is left partly open, gas and flame may be drawn out of the opening, creating risks from both fire and smoke.
- The cookstove is not designed to be used when the door is open. Open the door only to startup or to reload the stove.
- Don't leave unattended when the door is slightly open for startups. Always close the door after ignition.
- **WARNING: ALWAYS OPERATE THE STOVE WITH THE ASH DRAWER CLOSED.**
- **HOT WHILE IN OPERATION, KEEP CHILDREN, CLOTHING AND FURNITURE AWAY. CONTACT MAY CAUSE SKIN BURNS. GLOVES MAY BE NEEDED FOR COOKSTOVE OPERATION.**
- Using the cookstove with cracked or broken components, such as glass, firebricks or baffle may produce an unsafe condition and may damage the cookstove.
- Open the air control fully before opening the combustion chamber door.
- Do not store fuel within cookstove minimum installation clearances.
- Do not store wood underneath the combustion chamber.
- Burn only seasoned natural firewood.
- Do not elevate the fire by using a grate.
- A smoke detector, a carbon monoxide detector and a fire extinguisher should be installed in the house. The location of the fire extinguisher should be known by all family members.
- A smoke detector located in the proximity of the stove may be activated when the door of the stove is open to reload or to stir.
- This wood heater needs periodic inspection and repairs for the proper operation. It is against federal regulations to operate this wood heater in a manner inconsistent with operating instructions in this guide.
- Paint used on this appliance is not food grade (including the cast iron cooking surface). It is strongly not recommended to cook directly on the painted surfaces.
- Radiant heat coming from the stove glass can cause intense heat or burning sensations. It is recommended to cook on the cast iron cooking surface from the side of the appliance.
- During cooking, keep the oven door closed to keep a constant temperature.
- Make sure the ash drawer is in place when the cookstove is in use (when it gives off heat).



- **DO NOT USE CHEMICALS OR FLUIDS TO START THE FIRE.**
- **DO NOT BURN GARBAGE OR FLAMMABLE LIQUIDS SUCH AS GASOLINE, NAPHTHA, FUEL OIL, ENGINE OIL, KEROSENE, CHARCOAL LIGHTER FUEL, SIMILAR LIQUIDS, OR AEROSOLS TO START, REVIVE OR NEAR THE FIRE. KEEP ALL SUCH LIQUIDS WELL AWAY FROM THE HEATER WHILE IT IS IN USE.**
- This appliance should always be maintained and operated in accordance with these instructions.
- This stove must be installed as a free-standing heater with the clearances listed in the manufacturer's installation instructions. It is strictly forbidden to install this stove in a factorybuilt fireplace.
- **DO NOT RESTRICT AIR CIRCULATION AROUND THE UNIT. AIR CIRCULATION AROUND THE UNIT IS IMPORTANT. IF AIR CIRCULATION IS LIMITED, THIS COULD INCREASE HEAT ON ADJACENT WALLS AND CEILING.**



**WARNING:** This product can expose you to chemicals including carbon monoxide, which is known to the State of California to cause cancer, birth defects or other reproductive harm. For more information go to [www.P65warnings.ca.gov](http://www.P65warnings.ca.gov)

## 2. General information

### 2.1 Performances

Values are as measured per test method, except for the recommended heating area, firebox volume, maximum burn time and maximum heat output.

|   |  |                         |
|---|--|-------------------------|
| Model   | Gusto woodburning cookstove (OB02047)                    |                         |
| Type of combustion  | Non-catalytic  |                         |
| Fuel Type   | Dry Cordwood   |                         |
| Recommended heating area (sq. ft.) <sup>1</sup>           | 500 to 2,100 ft <sup>2</sup> (47 to 195 m <sup>2</sup> ) |                         |
| Overall firebox volume <sup>2</sup>                       | 2.261 ft <sup>3</sup> (0.064 m <sup>3</sup> )            |                         |
| EPA loading volume  | 1.94 ft <sup>3</sup> (0.055 m <sup>3</sup> )             |                         |
| Maximum burn time <sup>1</sup>                            | 8 hours  |                         |
| Maximum heat output (dry cordwood) <sup>3</sup>           | 75,000 BTU/h (22 kW)                                     |                         |
| Overall heat output rate (min. to max.) <sup>2 4</sup>    | 14,300 BTU/h to 47,300 BTU/h<br>(4.19 kW to 13.86 kW)    |                         |
| Average overall efficiency <sup>3</sup><br>(Dry cordwood) | 76 % (HHV) <sup>5</sup>                                  | 81 % (LVH) <sup>6</sup> |
| Optimum overall efficiency <sup>7</sup>                   | 83 %   |                         |
| Optimum heat transfer efficiency <sup>8</sup>             | 80 %   |                         |
| Average particulate emissions rate <sup>9</sup>           | 2.0 g/h (EPA / CSA B415.1-10) <sup>10</sup>              |                         |
| Average CO <sup>11</sup>                                  | 62 g/h   |                         |

ENGLISH

<sup>1</sup> Recommended heating area and maximum burn time may vary subject to location in home, chimney draft, heat loss factors, climate, fuel type and other variables. The recommended heated area for a given appliance is defined by the manufacturer as its capacity to maintain a minimum acceptable temperature in the designated area in case of a power failure.

<sup>2</sup> The overall firebox calculation is an approximation and is not intended to be used for loading. This volume includes a buffer zone to allow an easier fuel insertion, prevent ash spillage and allow the air wash to work properly.

<sup>3</sup> The maximum heat output (dry cordwood) is based on a loading density varying between 15 lb/ft<sup>3</sup> and 20 lb/ft<sup>3</sup>. Other performances are based on a fuel load prescribed by the standard. The specified loading density varies between 7 lb/ft<sup>3</sup> and 12 lb/ft<sup>3</sup>. The moisture content is between 19% and 25%.

<sup>4</sup> As measured per CSA B415.1-10 stack loss method.

<sup>5</sup> Higher Heating Value of the fuel.

<sup>6</sup> Lower Heating Value of the fuel.

<sup>7</sup> Optimum overall efficiency at a specific burn rate (LHV).

<sup>8</sup> The optimum heat transfer efficiency is for the low burn rate and represents the appliance's ability to convert the energy contained in the wood logs into energy transferred to the room in the form of heat and does not take into account the chemical losses during combustion.

<sup>9</sup> This appliance is officially tested and certified by an independent agency.

<sup>10</sup> Tested and certified in compliance with CFR 40 part 60, subpart AAA, section 60.534(a)(1)(ii) and ASTM E3053-17 based on the approbation letter sent by EPA on May 7<sup>th</sup>, 2022.

<sup>11</sup> Carbon monoxide.

## 2.2 Specifications

|  |   |
|--|---|
| Maximum log length                         | 20" (508 mm) east-west orientation <sup>1</sup>     |
| Recommended log length                     | 16" (406 mm)  |
| Flue outlet diameter                       | 6 in (150 mm)                                       |
| Recommended connector pipe diameter        | 6 in (150 mm)                                       |
| Type of chimney                            | ULC-S629, UL 103 HT (2100 °F)                       |
| Necessary flue draft                       | 0,05" H <sub>2</sub> O (12 Pa)                      |
| Minimum chimney height                     | 12 feet   |
| C-Cast material                            | C-Cast or equivalent                                |
| Alcove installation                        | Not approved  |
| Mobile home installation <sup>2</sup>      | Approved  |
| Type of door                               | Simple, glazed or not, with cast iron frame         |
| Type of glass                              | Ceramic glass                                       |
| Shipping weight                            | 575 lb (261 kg)                                     |
| Blower                                     | Optional (up to 130 CFM)                            |
| Particulate emission standard <sup>3</sup> | EPA / CSA B415.1-10                                 |
| USA standard (Safety)                      | UL 1482, UL 737                                     |
| Canada standard (Safety)                   | ULC-S627  |
| Oven dimensions (WxDxH)                    | 18" x 15-5/16" x 7-7/8"<br>457 mm x 177 mm x 381 mm |

<sup>1</sup> East-west orientation: longitudinal side of logs visible; north-south orientation: end of logs visible.

<sup>2</sup> Mobile home (Canada) or prefabricated home (USA): The US department of Housing and urban development describes "prefabricated homes" better known as "mobile homes" as follows; constructed buildings on fixed wheels and those transported on temporary wheels/axles installed on a permanent foundation. In Canada, a mobile home is a dwelling which the assembly of each component is done or mostly done before moving it to a location where it will be placed on foundations and connected to service facilities that meet the standards CAN/CSA-Z240 MH.

<sup>3</sup> Tested and certified in compliance with CFR 40 part 60, subpart AAA, section 60.534(a)(1)(ii) and ASTM E3053-17 based on the approbation letter sent by EPA on May 7<sup>th</sup>, 2022.

## 2.3 Cookstove Dimensions

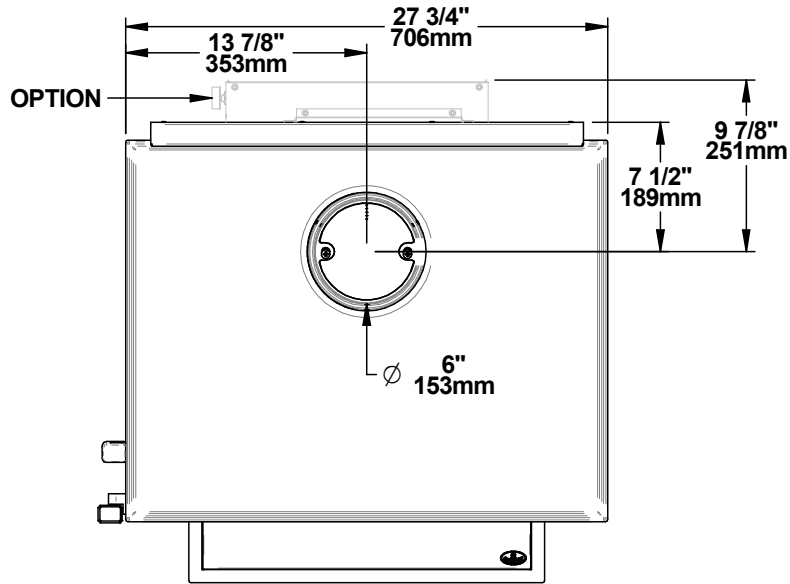


Figure 1: Top view

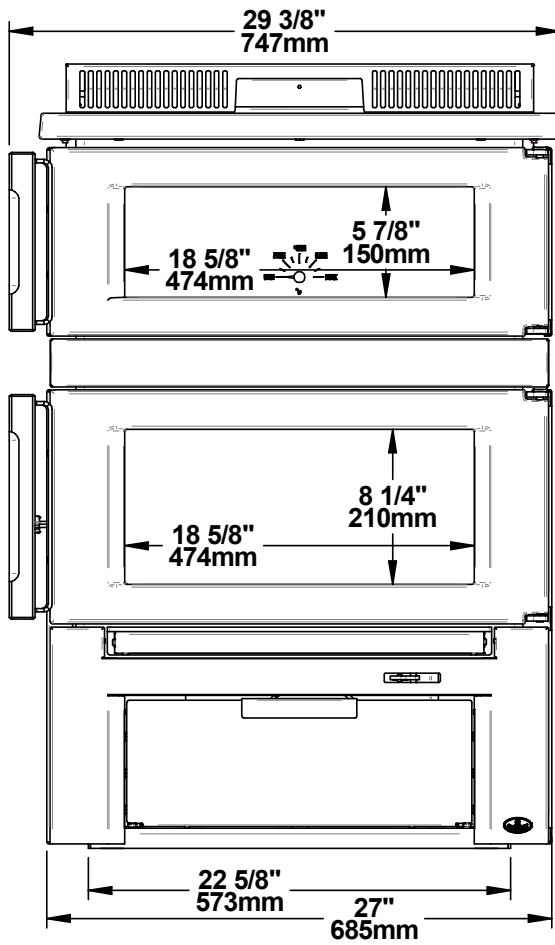


Figure 2: Front view

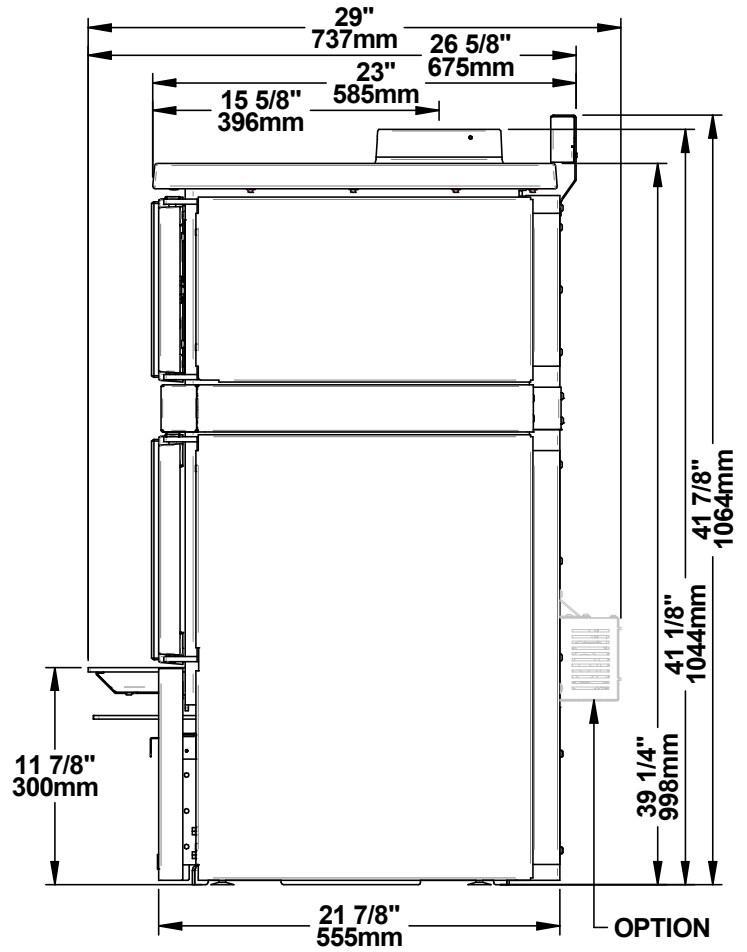


Figure 3: Side view

### 2.3.1 Combustion Chamber Dimensions

ENGLISH

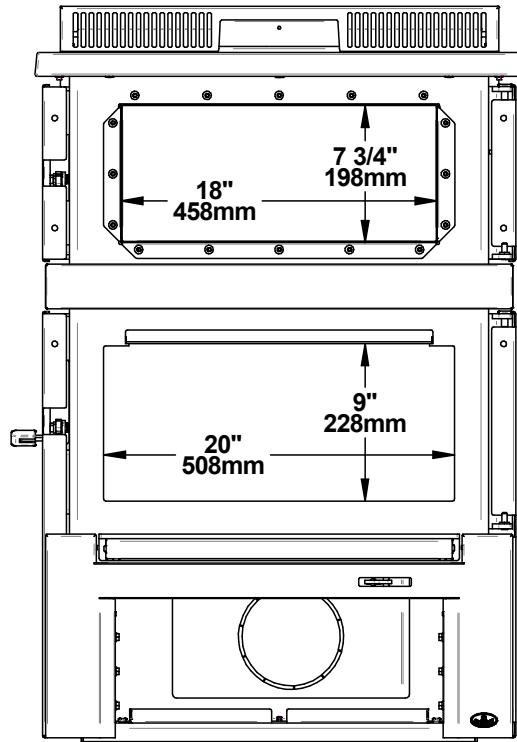


Figure 4: Door opening

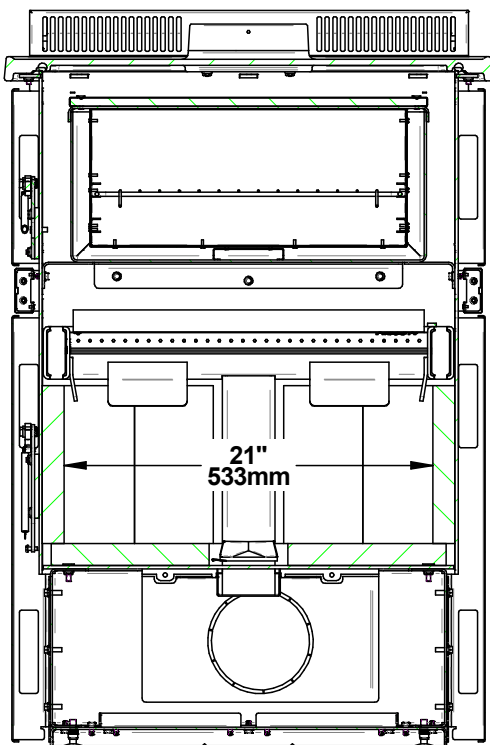


Figure 5: Front view : Combustion chamber

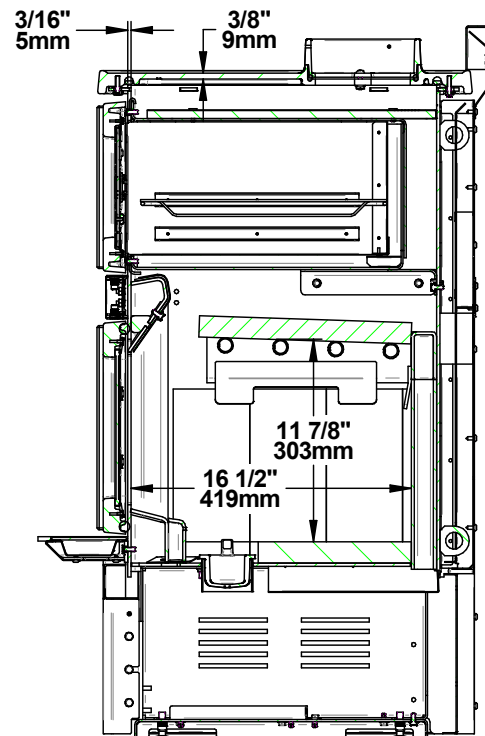


Figure 6: Side view : Combustion chamber

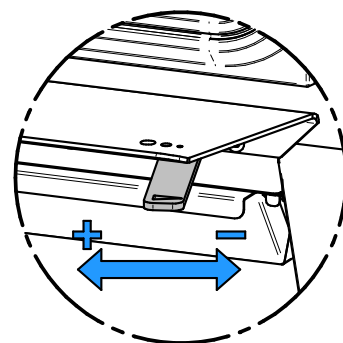


## 2.4 EPA Loading Procedure

The best loading method for efficient and clean combustion with this fireplace is the EPA loading method. The images below show the space in the firebox where the logs are to be placed. It is important to always respect this space and not to put logs in the grid area marked with an X. The marked area is defined by the space between the glass and primary air channel. Leave enough space between the logs for good air circulation. Using more than the usable firebox volume for loading wood will result in poor combustion. The Usable firebox volume of 1.94 ft<sup>3</sup> shown below is the one used during EPA emissions certification. The log length recommended for this stove is 16 inches and the EPA testing were done with log length of 17 in. The fuel specie used for the EPA certification was beech.

### 2.4.1 Air control

The air control is located underneath the ash shelf. To open the air control, push the air control handle completely to the left (High). This will increase the burn rate. To close the air control, push the air control handle completely to the right (Low). This will permit to achieve the lowest possible burn rate.



### 2.4.2 High burn rate (primary air control open)

Split the start-up fuel log into 8 pieces. Crisscross the 8 pieces on the brick on 3 rows (first row 2 smallest-second row 3 biggest- third row 3 medium) and leaving some space between each wood pieces (see Figure 7). Crisscross the kindling on the top of the start-up fuel on 4 rows from biggest to smallest (see Figure 8). The kindling is made of between 16-20 small pieces that are about 10% of moisture content. Place newspaper sheets on top of the kindling (see Figure 9). Light up the paper and let the door at 90 degrees for one minute and 30 seconds, then close the door. Air control is fully opened.

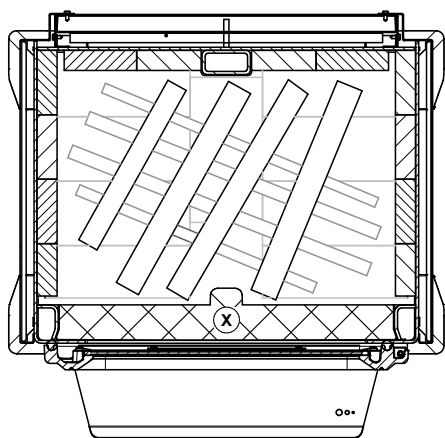


Figure 7: Start-up fuel

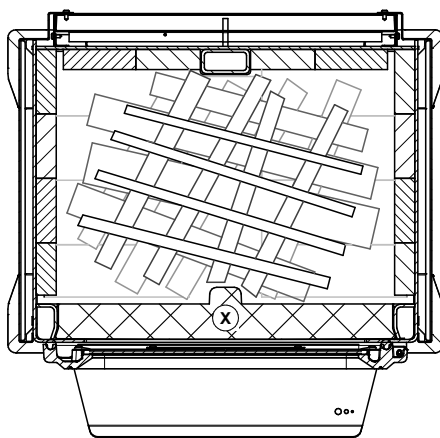


Figure 8: Kindling

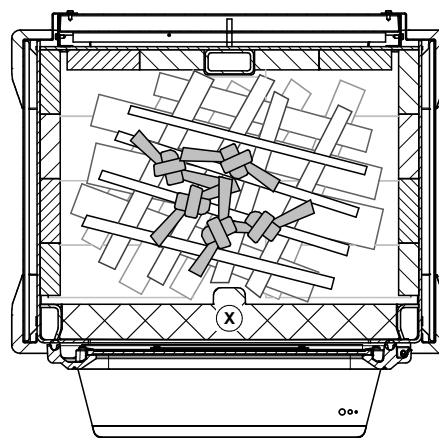


Figure 9: Newspaper

When there are only faint flames remaining and most of the wood is turned into coal, break ashes and level coal bed. If there are still hard start-up fuel pieces in the back, orient them per the direction shown in the Figure 7 (about 45°). Close the door.

Add High Fire load in an East-West configuration. Put 3 pieces on the coal bed. Leave about 2 inches of air space between the rear firebrick and the first piece. See figure 10 and 11 for example of load inside the firebox. The front (3rd) piece should stand off of the steel andirons by approximately 1-2 inches. The 2 other pieces should be added on top of the first 3, stacked

in the middle, in an East-West orientation (see Figure 11). Let the door open at 90 degree for 1 minutes. Close the door, start the blower at maximum speed, and let burn until the weight is down to target.

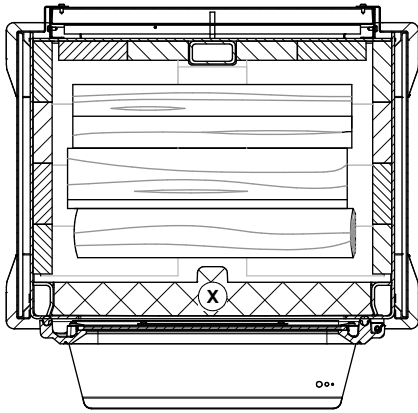


Figure 10: Position of the bottom pieces (High burn)

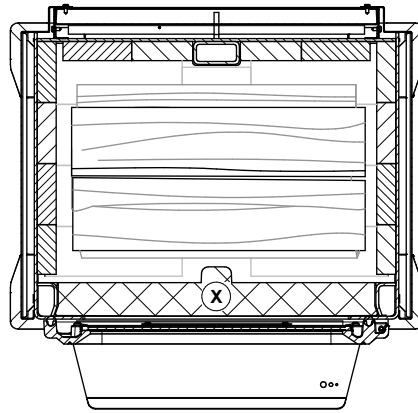


Figure 11: Position of the two top pieces (High burn)

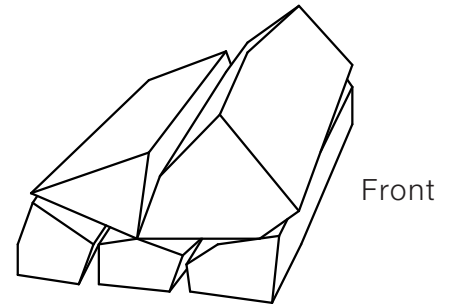


Figure 12: Example high burn load (side view)

For optimal loading of a high fire, take small to medium size fuel pieces (between 2.5 and 3.5 inches cross section dimensions approximately) on the bottom and use medium to large size fuel pieces (4 to 5 inches of cross section dimensions approximately) on top. To make sure combustion is equal, put the biggest piece on top of the first three, in the front of the firebox. See example in the Figure 12 above.

### 2.4.3 Low burn rate

After the high fire, if there is visible yellow flame, close the air control. When the charcoal bed weight is between 15 and 16% of the low fire load weight, turn off the blower, open the door, stir the coals, and let the door remain slightly open for 1 minute before loading the low burn test fuel.

For the loading, put 3 pieces on the coal bed in an East-West orientation. There should be air space between all pieces and with the rear brick. Leave approximately 1 inch of air space between the rear firebrick and the first piece (see Figure 13). The front (3rd) piece may contact the steel andirons. The 2 top pieces (fourth and fifth) should be added on top of the first 3, slightly angled (10° from horizontal, top view, see Figure 14). The distance between the logs should be approximately 1 inch.

For optimal loading of a low fire, take medium to large size fuel pieces (between 4.5- and 6-inches cross section dimensions approximately) on the bottom and use small to medium size fuel pieces (3 to 4.5 inches cross section dimensions approximately) on top. To have the longest burn time, put the smallest piece on top of the first three, in the front of the firebox (see example in the Figure 15 in the next page).

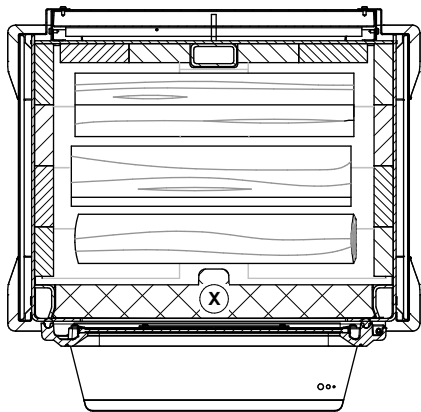


Figure 13: Position of the bottom pieces (Low burn)

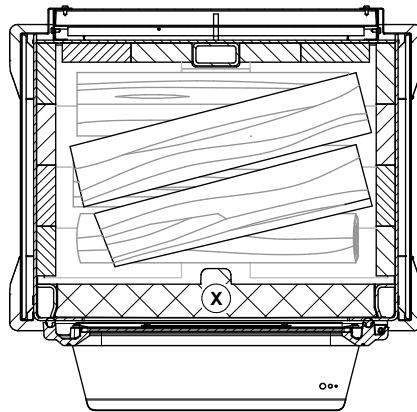


Figure 14: Position of the two top pieces (Low burn)

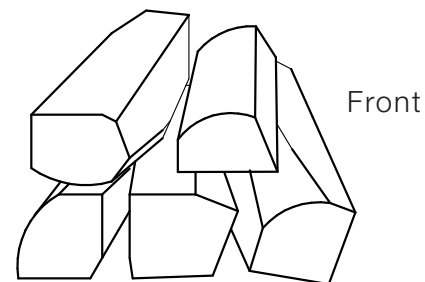


Figure 15: Example low burn load (side view)

Let the door ajar at 90° until the flames roll on top of the fuel (between 2:00 and 3:30) and then close the door with the primary air control open. See picture below for rolling flame:



Close the primary air control by small increments (ex: 1/16 of an inch), from 3/8 to fully closed, between 4 and 10 minutes. Before closing further, make sure the flame intensity is increasing or stable. Close the air control completely. Turn on the blower at maximum speed.

#### 2.4.4 Medium burn rate

After the high fire, if there is visible yellow flame, close the air control. When the charcoal bed weight is between 15 and 16% of the low fire load weight, turn off the blower, open the door, stir the coals, and let the door remain slightly open for 1 minute before loading the medium burn test fuel.

For the loading, put 3 pieces on the coal bed in an East-West orientation. Leave about 2 inches of air space between the rear firebrick and the first piece (see Figure 16). The front (3rd) piece should stand off of the steel andirons by approximately 1-2 inches. The 2 top pieces (fourth and fifth) should be added on top of the first 3, slightly angled (5° from horizontal, top view, see Figure 17).

For optimal loading of a medium fire, take small to medium size fuel pieces (between 3 and 4.5 inches cross section dimensions approximately) on the bottom and use medium to large size fuel pieces (4.5 to 6 inches cross section dimensions approximately) on top. To make sure combustion is equal, put the biggest piece on top of the first three, in the front of the firebox (see Figure 18).

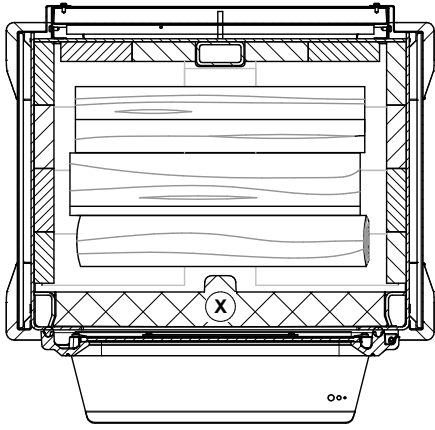


Figure 16: Position of the bottom pieces (Medium burn)

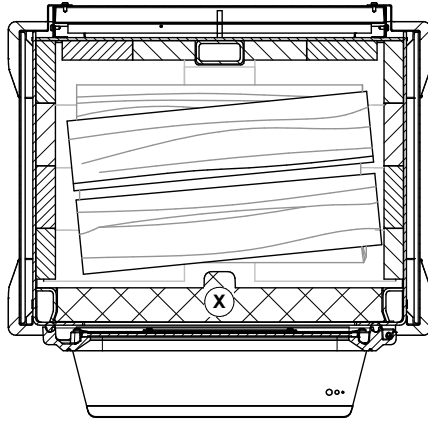


Figure 17: Position of the two top pieces (Medium burn)

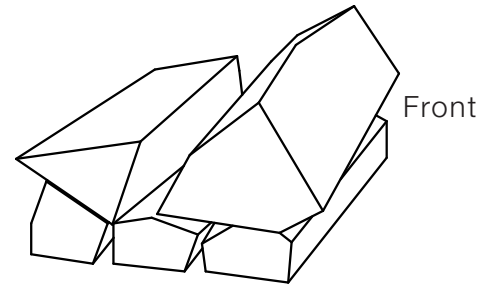


Figure 18: Example medium burn load (side view)

Let the door ajar at 90° until the flames roll on top of the fuel (between 2:30 and 4:00) and then close the door with the primary air control open. See picture below for rolling flame:



Close the primary air control incrementally, from 1/2 inch to 3/8 inch open (mid-point of air control) between 5 and 10 minutes. Before closing further, make sure the flame intensity is increasing or stable. Turn on the blower at maximum speed.

### 3. Cookstove operation

#### 3.1 Components use

Cooking with a wood-burning cookstove is an art that requires several attempts to get to know and control the appliance. Many factors can influence how the cookstove will heat the oven and the cooking surface. Among them, the type of fuel used and its quality, the size of the logs and when to load before cooking. It is therefore recommended to do several tests to make the Gusto your own.

|          |                           |
|----------|---------------------------|
| <b>A</b> | Oven thermometer          |
| <b>B</b> | Combustion chamber        |
| <b>C</b> | Air control               |
| <b>D</b> | Cast iron cooking surface |
| <b>E</b> | Stainless steel oven      |
| <b>F</b> | Cooking grills            |
| <b>G</b> | Ash pan                   |

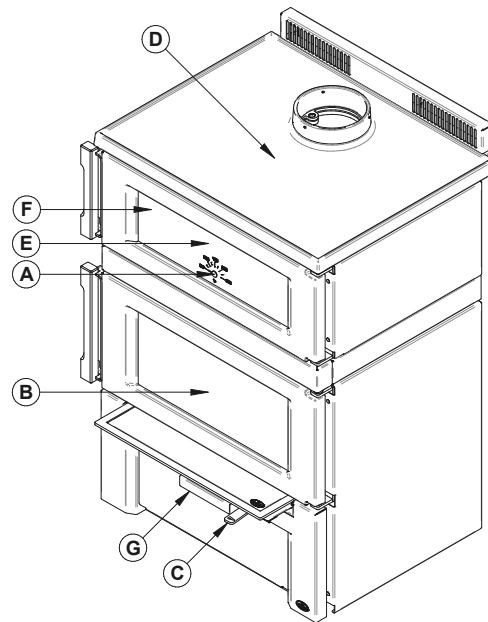


Figure 19: Component Location



*It is prohibited to put or store inside the required appliance clearances: alcohol, gasoline, liquid fuel, flammable materials, ashes, paper and wood in the accessory compartment.*

### 3.1.1 Oven

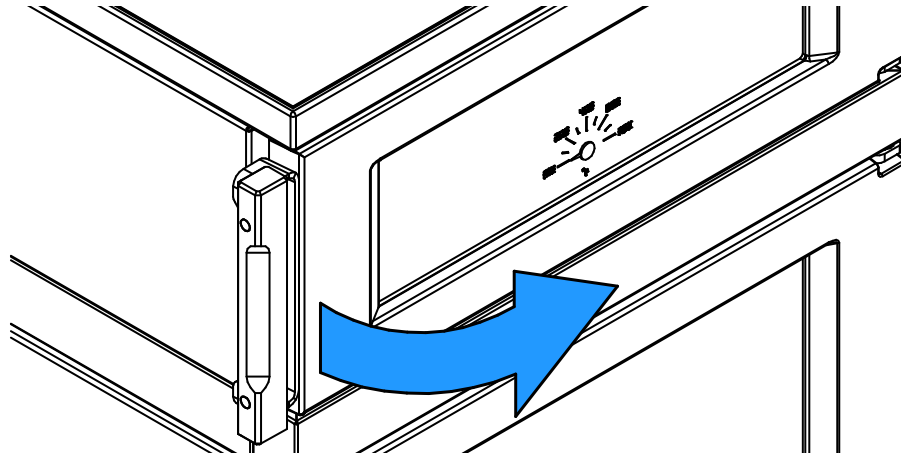


Figure 20: Oven door closed

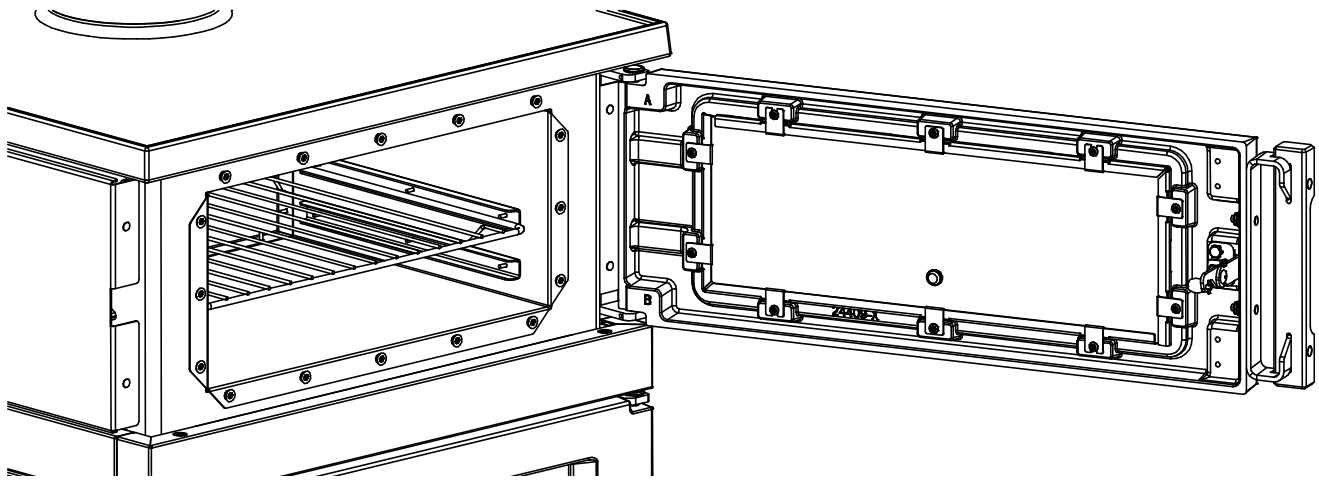


Figure 21: Oven door open

The cooker has a stainless steel oven to cook or bake food. The panoramic glass of the oven door allows you to watch your meal without having to open the door. During cooking, keep the oven door closed to maintain a constant temperature.

The oven cooking temperature can be adjusted using the air intake control (see section "[5.6 Air Intake Control](#)") or by opening or closing the oven door. For even cooking, turn the kitchen accessory used (plate, frying pan, dish, etc.) by 180 ° at half the cooking time.

A cooking grid is supplied with the cooker, allowing food to be cooked at center or bottom of the oven.

The thermometer integrated in the glass of the oven door simplifies the temperature reading. The dial can indicate temperatures ranging from 150°F to 750°F (Approximately 50°C to 400°C).

The ambient air inside the oven can vary by approximately 50°F between the hottest point and the coldest point. Typically, the coldest spot is at the front left of the oven, near the doorknob, and the hottest spot is at the rear right, completely opposite. The oven wall temperature is not necessarily equal to room temperature. The thermometer indicates the ambient temperature at a specific point in the oven, which is why the temperature indicated by the thermometer is for reference only.

### 3.1.2 Combustion chamber

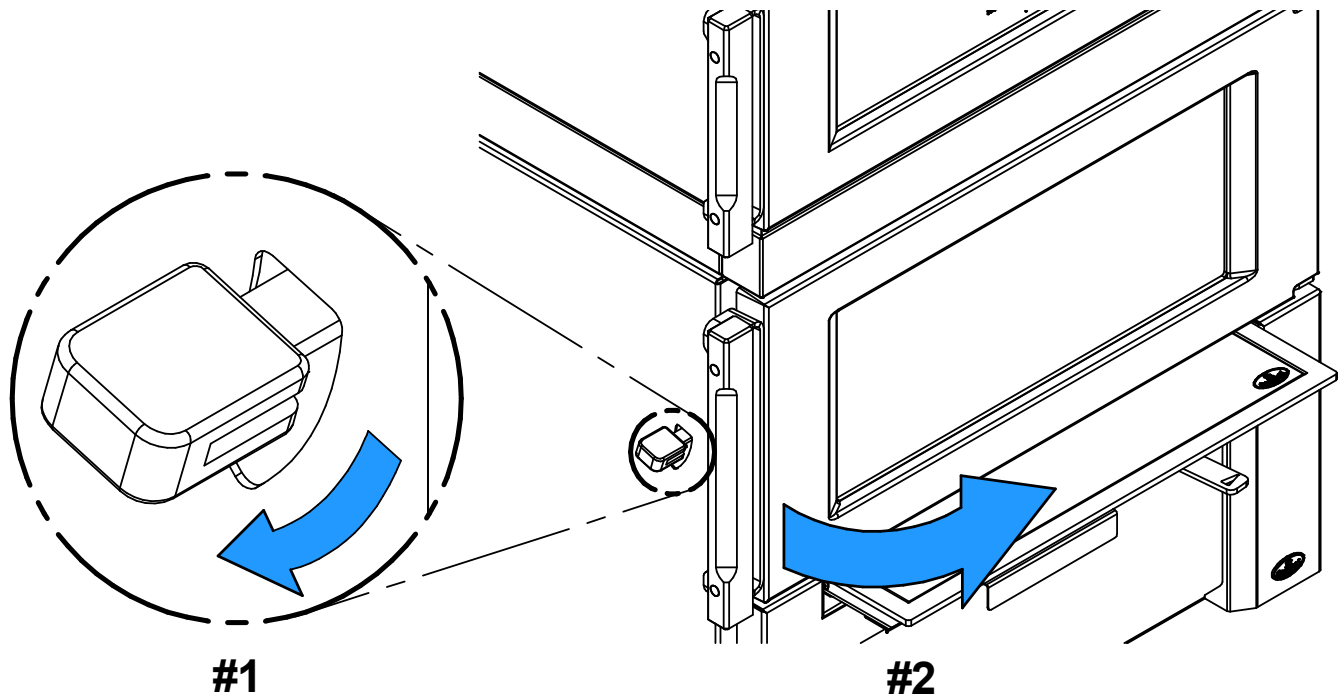


Figure 22: Combustion Chamber door closed

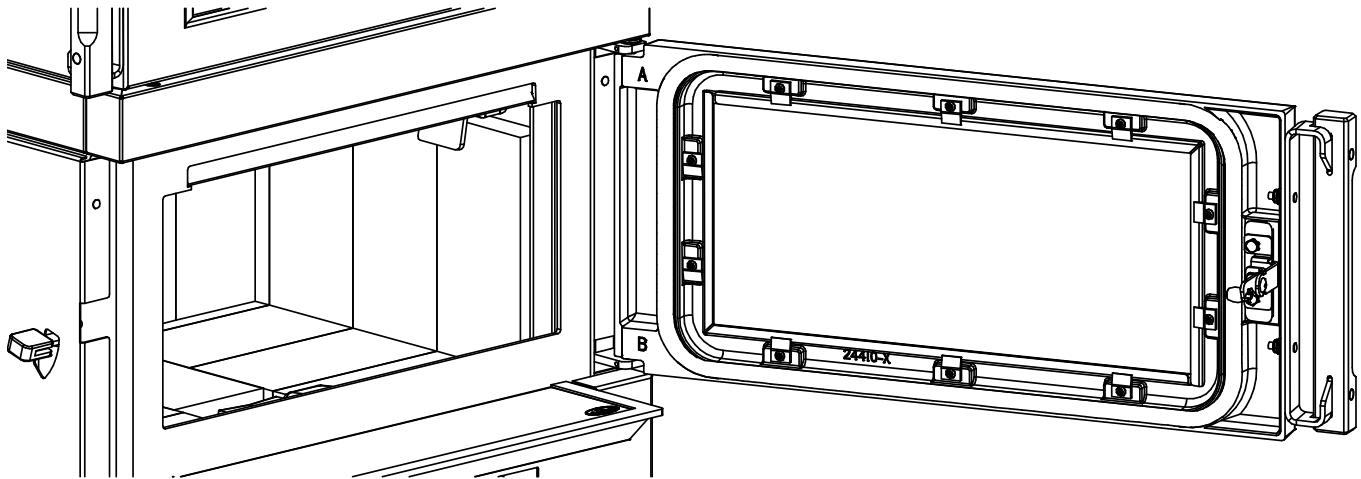


Figure 23: Combustion chamber door open



### 3.1.3 Cast iron cooking surface

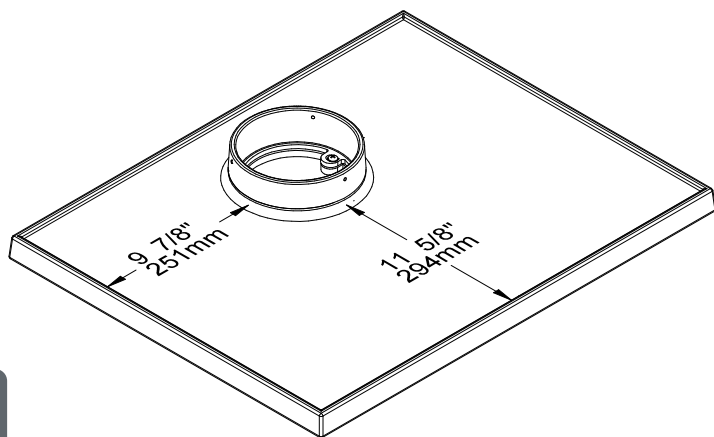


Figure 24: Cast iron cooking surface

ENGLISH

**It is not recommended to cook food directly on the cast iron top, as the paint used is not food grade.**

The cast iron cooking surface on the top of the range is designed to provide intense heat to allow food to be cooked. It was designed to cook with kitchen accessories (frying pan, saucepan, etc.). It is recommended to use heat resistant cast iron or aluminum accessories for best results. The temperature of the cooking surface is not necessarily uniform.

The temperature of Cast iron top cooking can be adjusted with the air intake control.

To reduce the discomfort due to the heat coming from the combustion chamber, it is recommended to cook on the side of the appliance.



## 3.2 Gas path

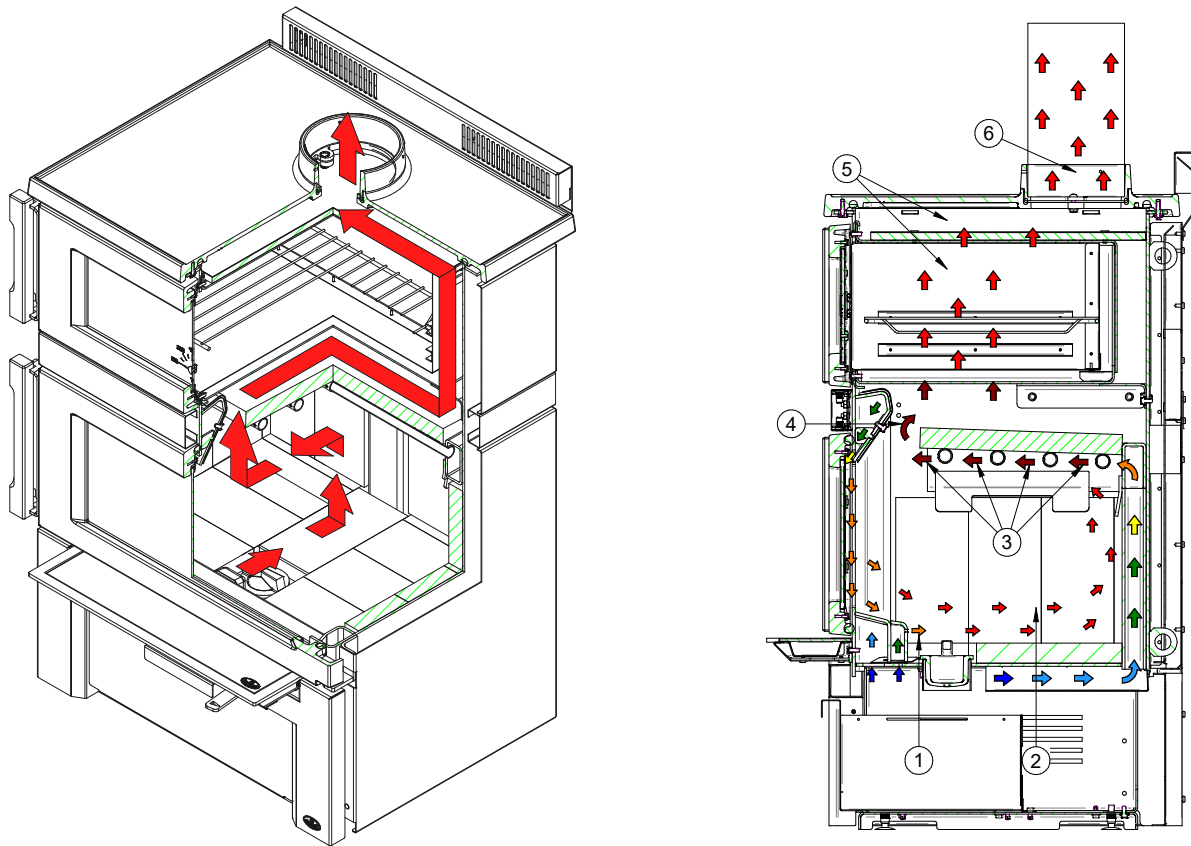


Figure 25: Gas path

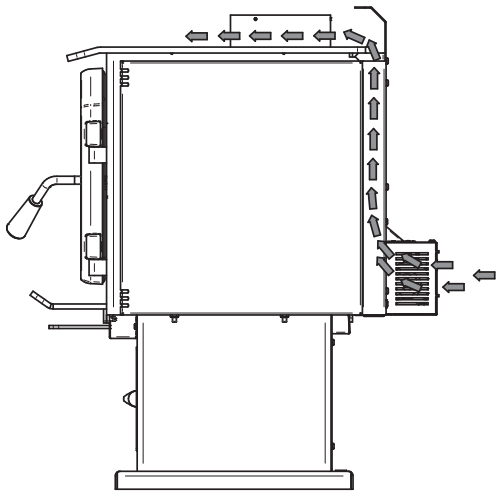
The gas path is in fact the circuit followed by the hot gases emitted by burning wood. This circuit is used to heat the stainless steel oven and the cast iron cooking surface.

1. The primary air supply provided by the pilot feeds the wood combustion.
2. Wood burning in the combustion chamber gives off particles and hot gases heading upwards.
3. The secondary air supply from the tubes at the top of the combustion chamber burns a second time gases and particles. This process makes the combustion cleaner and allows to regulate the efficiency of the fire.
4. The gases burned twice are then guided by the baffle towards the front of the combustion chamber.
5. The gases then divide in two, passing through the ducts to the left and right of the oven and joining between the oven and the cooking surface. This portion of the journey is the one that allows for gases to transmit their heat to the oven and to the cooking surface. The path borrowed by gases has an impact on heat distribution. For example, if the fire is further to the left in the combustion chamber, the heat released may pass more through the ducts to the left of the device. The temperature of the cast iron cooking surface may therefore vary according to the path taken by the gases. On the other hand, the oven tends to keep a relatively uniform temperature thanks to its insulation.
6. The gases finally escape through the chimney.

### 3.3 Blower Operation

It is possible to install a fan on this cookstove. See the *Parts List* section at the end of this manual for the original part number.

The blower is installed on the back of the cookstove to increase the airflow through the heat exchanger and improve hot air circulation in the room. When used regularly, the blower can provide a small increase in efficiency, up to 2%. However, the use of a blower should not be used as a way to gain more output from a stove that is undersized for the space it is intended to heat.



Ensure the blower cord is not in contact with any surface of the stove to prevent electrical shock or fire damage. Do not run cord beneath the stove.

Figure 26: Air flow with a blower

The blower has a rheostat that can be adjusted in three different positions; either from high (HI) to low (LO) or closed (OFF).

Allow the cookstove to reach operating temperature (approximately one hour) before turning on the blower, since increased airflow from the blower will remove heat and affect the start up combustion efficiency.

It is possible to add a heat sensor, sold separately, to the blower. When the blower is ON, the blower will start automatically when the cookstove is hot enough and it will stop when the cookstove has cooled down. Therefore, you can leave the blower speed control at the desired setting.

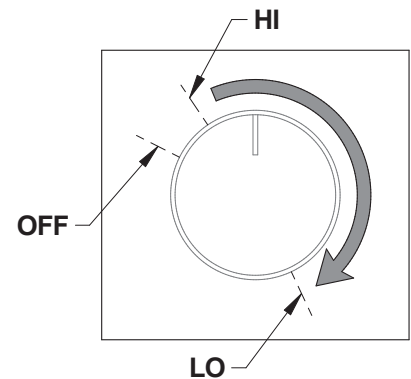


Figure 27: Blower operation

## 4. Combustibles

Good firewood has been cut to the correct length for the stove, split to a range of sizes and stacked in the open until its moisture content is down to 15% to 20%.

### **DO NOT BURN:**

- **COAL;**
- **GARBAGE;**
- **LAWN CLIPPINGS OR YARD WASTE;**
- **MATERIALS CONTAINING RUBBER, INCLUDING TIRES;**
- **MATERIALS CONTAINING PLASTIC;**
- **WASTE PETROLEUM PRODUCTS, PAINTS OR PAINT THINNERS, OR ASPHALT PRODUCTS;**
- **MATERIALS CONTAINING ASBESTOS;**
- **CONSTRUCTION OR DEMOLITION DEBRIS;**
- **RAILROAD TIES OR PRESSURE-TREATED WOOD;**
- **MANURE OR ANIMAL REMAINS;**
- **SALT WATER DRIFTWOOD OR OTHER PREVIOUSLY SALT WATER SATURATED MATERIALS;**
- **UNSEASONED WOOD; OR**
- **PAPER PRODUCTS, CARDBOARD, PLYWOOD, OR PARTICLE BOARD. THE PROHIBITION AGAINST BURNING THESE MATERIALS DOES NOT PROHIBIT THE USE OF FIRE STARTERS MADE FROM PAPER, CARDBOARD, SAW DUST, WAX AND SIMILAR SUBSTANCES FOR THE PURPOSE OF STARTING A FIRE IN AN AFFECTED WOOD HEATER.**
- **BURNING THESE MATERIALS MAY RESULT IN THE RELEASE OF TOXIC FUMES OR RENDER THE HEATER INEFFECTIVE AND CAUSE SMOKE.**
- **IF THESE FUELS ARE BURNED, IT COULD CREATE A HIGHER CONCENTRATION OF CO THAN BURNING HARDWOOD.**

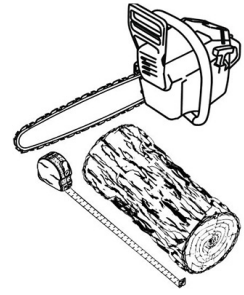
### 4.1 Tree Species

The tree species the firewood is produced from is less important than its moisture content. The main difference in firewood from various tree species is the density of the wood. Hardwoods are denser than softwoods.

Note that hardwood trees like oak, maple, ash and beech are slower growing and longer lived than softer woods like poplar and birch. That makes hardwood trees more valuable. The advice that only hardwoods are good to burn is outdated. Old, leaky cast iron stoves wouldn't hold a fire over a longer period of time unless they were fed large pieces of hardwood. That is no longer true.

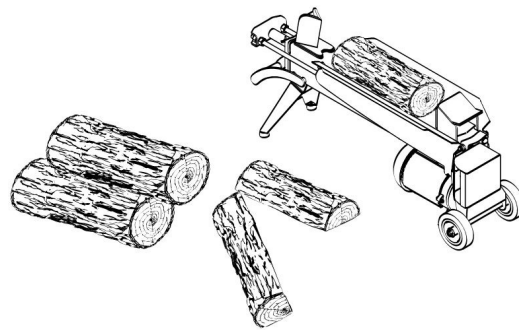
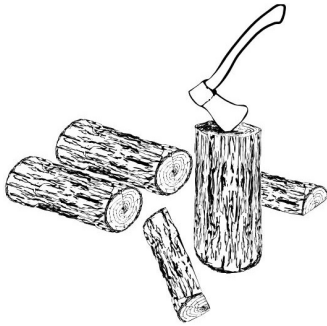
## 4.2 Log Length

Logs should be cut at least 1" (25 mm) shorter than the firebox so they fit in easily. Pieces that are even slightly too long makes loading the stove very difficult. The most common standard length of firewood is 16" (400 mm).



## 4.3 Piece Size

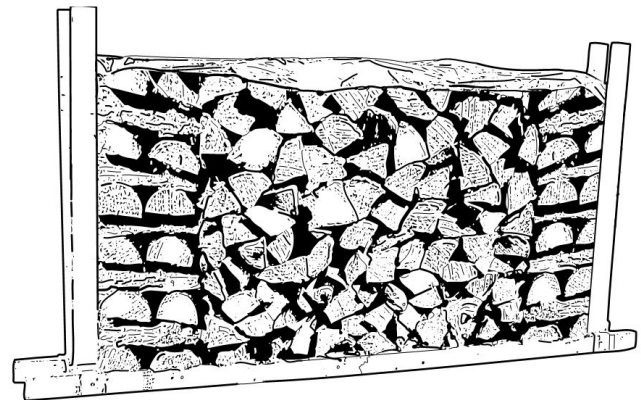
Firewood dries more quickly when it is split. Large unsplit rounds can take years to dry enough to burn. Even when dried, unsplit logs are difficult to ignite because they don't have the sharp edges where the flames first catch.



Wood should be split to a range of sizes, from about 3" to 6" (75 mm to 150 mm) in cross section. Having a range of sizes makes starting and rekindling fires much easier.

## 4.4 Drying Time

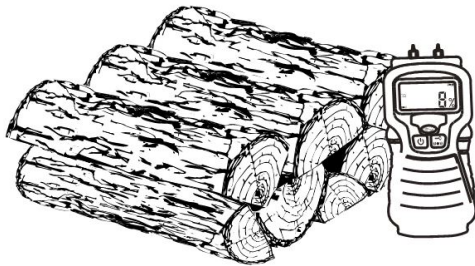
Firewood that is not dry enough to burn is the cause of most complaints about wood burning appliances. Continually burning green or unseasoned wood produces more creosote and involves lack of heat and dirty glass door. Firewood with a moisture content between 15% and 20% will allow the stove to produce its optimal output.



## Here are some facts to consider in estimating drying time:

- Firewood bought from a dealer is rarely dry enough to burn, so it is advisable to buy the wood in spring and dry it yourself;
- Drying happens faster in dry weather than in a damp climate;
- Drying happens faster in warm summer weather than in winter weather;
- Small pieces dry more quickly than large pieces;
- Split pieces dry more quickly than unsplit rounds;
- Softwoods like pine, spruce, poplar, and aspen take less time to dry than hardwoods. they can be dry enough to burn after being stacked to air dry only for the summer months;
- Hardwoods like oak, maple and ash can take one, or even two years to dry fully, especially if the pieces are big;
- Firewood dries more quickly when stacked outside in a location exposed to sun and wind; it takes much longer to dry when stacked in a wood shed;
- Ready-to-burn wood with a moisture content of 15% to 20% will allow the appliance to achieve its optimal use.

## Use these guidelines to find out if the firewood is dry enough to burn:



- Cracks form at the ends of logs as they dry;
- The wood turns from white or cream colored to grey or yellow;
- Two pieces of wood struck together sounds hollow;
- Dry wood is much lighter in weight than wet wood;
- The face of a fresh cut feels warm and dry;
- The moisture content read by a moisture meter is between 15% to 20%.

## 5. Efficient wood combustion

### 5.1 General Advice

Wood burns best in cycles. A cycle starts when a new load of wood is ignited by hot coals and ends when that load has been consumed down to a bed of charcoal about the same size as it was when the wood was loaded. Trying to produce a steady fire by placing a single log at regular intervals is not recommended. Always place at least three, and preferably more pieces on the fire at a time so that the heat radiated from one piece helps to ignite the pieces next to it.



*Prolonged and continuous use at a very low rate of combustion or with very wet wood can cause highly flammable creosote to build up in the flue.*

Burning in cycles means the stove door does not need to be opened while the wood is flaming. This is an advantage since it is preventing smoke leaking from the stove when the door is opened as a full fire is burning. This is especially true if the chimney is on the outside wall of the house.

**If the door must be open while the fire is flaming, fully open the air control for a few minutes then open the door slowly.**

## 5.2 First Use

Two things happen when burning the first few fires; the paint cures and the internal components are conditioned. As the paint cures, some of the chemicals vaporize. The vapors are not poisonous, but they smell bad. Fresh paint fumes can also trigger false alarms in smoke detectors. When lighting the heater for the first few times, it may be wise to open doors and windows to ventilate the house.

Burn two or three small fires to begin the curing and conditioning process. Then build bigger and hotter fires until there is no longer paint smell from the stove. As hotter and hotter fires are burned, more of the painted surfaces reach the curing temperature of the paint. The smell of curing paint does not disappear until one or two very hot fires have been burned.

**NEVER BUILT THE FIRE TOO CLOSE TO THE GLASS. IT MAY CAUSE HIGHER TEMPERATURE AND PRODUCE A FASTER AGING OF THE GLASS.**

## 5.3 Lighting Fires

Each person cooking with wood develops its own favorite way to light fires. Regardless of the method chosen, the goal should be to have a hot fire burning, quickly. A fire that ignites fast produces less smoke and deposits less creosote in the chimney.

Consult the video using the following link to better visualize the ignition methods:

[https://www.youtube.com/watch?v=Y7O0v-nw7QQ&ab\\_channel=SBI](https://www.youtube.com/watch?v=Y7O0v-nw7QQ&ab_channel=SBI)



**Never use gasoline, gasoline-type lantern fuel (naphtha), fuel oil, motor oil, kerosene, charcoal lighter fluid, or similar liquids or aerosols to start or 'freshen up' a fire in this wood stove. Keep all such liquids well away from the stove while it is in use.**

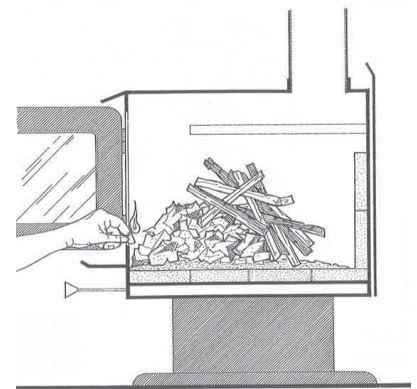
Here are three popular and effective ways to ignite wood fires.

### 5.3.1 Conventional Method

The conventional method to build a wood fire is to crumple 5 to 10 sheets of newspaper and place them in the firebox and hold them in place with ten pieces of kindling wood. The kindling should be placed on and behind the newspaper.

Then add two or three small pieces of firewood. Open the air intake control completely and ignite the newspaper. Leave the door slightly ajar.

Once the fire has ignited, the door can be closed with the air control still fully open. When the kindling is almost completely burned, standard firewood pieces can be added.



**Do not leave the heater unattended when the door is slightly open. Always close and latch the door after the fire ignites.**

### 5.3.2 The Top Down Method

This method is the opposite of the conventional method and only works properly if well-seasoned wood is used.



Place three or four small, split, dry logs in the firebox. Arrange the kindling wood on the logs in two layers at right angles and place a dozen finely split kindling on the second row.

It is possible to use ragged paper but it may not hold in place since it tends to roll while it is burning. The best is to wrap a sheet on itself, grab the ends of the roll and make a knot. Use four or five sheets of paper tied together and put them on top and around the kindling. Open the air intake control completely, ignite the paper and close the door.

The top down fire method has two advantages over the traditional method: first, the fire does not collapse on itself, and it is not necessary to add wood gradually since the combustion chamber is full before the fire is lit.

### 5.3.3 *Two Parallel Logs Method*

Two spit logs are placed in the firebox with a few sheets of twisted newspapers in between the logs. Fine kindling is added across the two logs and some larger kindling across those, log cabin style. Newspaper is lit.

### 5.3.4 *Using Fire Starters*

Commercial fire starters can be used instead of a newspaper. Always follow the instructions on the packaging before use.

**DO NOT USE CHEMICALS OR FLUID TO START THE FIRE.**

**NEVER USE GEL STARTER IF THERE ARE HOT EMBERS INSIDE THE FIREBOX. THE BOTTLE OF GEL WILL CATCH ON FIRE.**

## 5.4 Combustion Cycles

Wood-burning cookstove don't have a steady heat output. It is normal for the heat output to increase after a new load of wood is ignited and to gradually decrease throughout the burning cycle. This increasing and decreasing temperature can be matched with the household routines. For example, add small pieces of wood for fast and intense cooking heat or bigger pieces for long lasting heat to simmer a dish.

Wood burns best in cycles. A cycle starts when a new load of wood is ignited by hot coals and ends when that load has been consumed down to a bed of charcoal about the same size as it was when the wood was loaded.

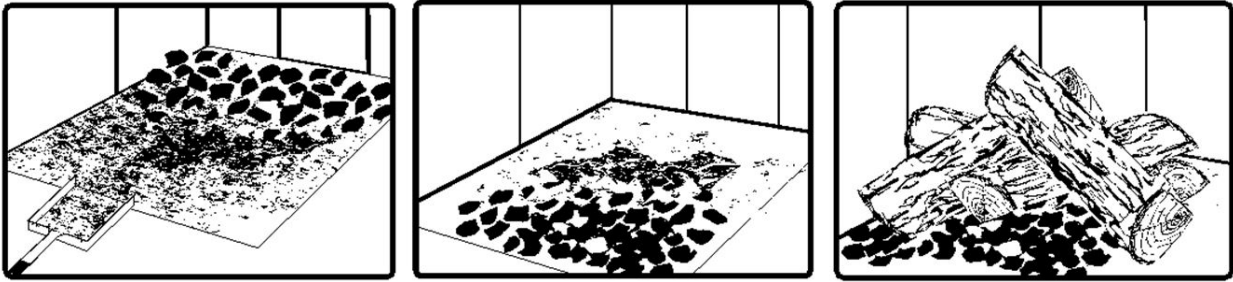
Trying to produce a steady heat output by placing a single log on the fire at regular intervals is not recommended. Always place at least three, and preferably more pieces on the fire at a time so that the heat radiated from one piece helps to ignite the pieces next to it. Each load of wood should provide several hours of heat. The size of each load may vary depending on the amount of heat required.

Burning in cycles means the loading door does not need to be opened while the wood is flaming. This is an advantage since it is preventing smoke leaking from the heater when the door is opened as a full fire is burning. This is especially true if the chimney is on the outside wall of the house.

**If the door must be opened while the fire is flaming, fully open air control for a few minutes then open the door slowly.**

## 5.5 Rekindling a Fire

Generally, when you need to cook, it is time to reload. Remove excess ash from the front of the firebox and bring the ashes forward. Place a new load of wood on, and at the back of the embers. Open the air control completely and close the door. Open the air control completely and close the door.



Raking the coals is useful for two reasons. First, it brings them near where most of the combustion air enters the firebox. This will ignite the new load quickly. Secondly, the charcoal will not be smothered by the new load of wood. When the embers are simply spread inside the combustion chamber, the new load smoulder for a long time before igniting.

Close the air control only when the firebox is full of bright turbulent flames, the wood is charred, and its edges are glowing.

*The heater should not be left unattended during ignition and the fire should not burn at full intensity for more than a few minutes.*

When lighting a new load, the appliance produces a heat surge. This heat boost is useful for reheating the oven and cast iron cooking surface, but can give a feeling of extra heat in the room if it is already hot there. Therefore, it is better to have a cooler room than desired to put back a load of wood for to cook.

Do not overfire the unit. The signs of an overfired unit are a roaring fire, the chimney connector is glowing red and an extreme heat coming from the cookstove. If this occurs, **DO NOT OPEN THE DOOR**. Shut-off the air inlet opening completely and wait until the glow has completely subsided.

## 5.6 Air Intake Control

**This wood heater has a manufacturer-set minimum low burn rate that must not be altered. It is against federal regulations to alter this setting or otherwise operate this wood heater in a manner inconsistent with operating instructions in this guide.**

Once the firewood, firebox and chimney are hot, air intake can be reduced to achieve a steady burn.

As the air intake is reduced, the burn rate decreases. This has the effect of distributing the thermal energy of the fuel over a longer period of time. In addition, the flow rate of exhaust through the appliance and flue pipe slows down, which increases the duration of the energy transfer of the exhaust gases. As the air intake is reduced, the flame slows down.

If the flames diminish to the point of disappearing, the air intake has been reduced too early in the combustion cycle or the wood used is too wet. If the wood is dry and the air control is used properly, the flames should decrease, but remain bright and stable.



On the other hand, too much air can make the fire uncontrollable, creating very high temperatures in the unit as well as in the chimney and seriously damaging them. A reddish glow on the unit and on the chimney components indicates overheating. Excessive temperatures can cause a chimney fire.

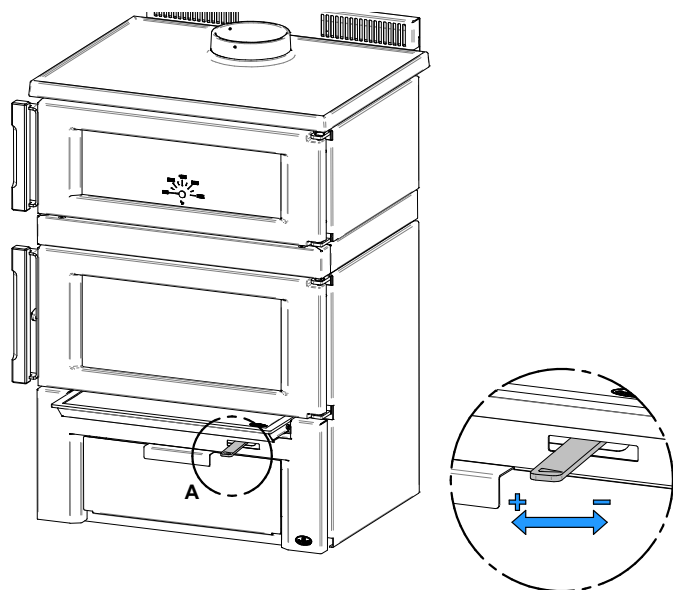


Figure 28: Air Intake Control

The control of the primary and secondary air inlet is simultaneous and is done with a single regulation control, located under the combustion chamber door.

The optimum regulation of the air inlet can vary according to various factors, such as the chimney flue, the temperature of the cookstove and, the quality of the firewood (moisture, size and shape).

**Do not alter the air regulation control to increase firing for any reason.**

ENGLISH

### 5.6.1 Regulating the air during lighting

Opening the air inlet completely is mandatory during the lighting, and it is recommended to leave the door ajar during lighting as well, in order to avoid condensation of fumes on the glass. Wait enough time (until the hearth has warmed up) before starting to regulate the air inlet.

### 5.6.2 Regulating the air during combustion

Controlling the air intake is the recommended way to help adjust the temperature of the cooking surface and one of the two recommended ways to adjust the oven temperature. Once the fire is well established in the combustion chamber, when the flames are vivid and there is a good bed of embers, it is possible to close the air intake. The more it will be reduced, the more the combustion will be regulated to stretch over time. On the other hand, you need a very strong combustion to completely shut off the air intake. It is recommended to reduce it between 15 and 40%.

## 5.7 Carbon Monoxide

Carbon monoxide is an odourless gas that is highly toxic which can cause death at high concentration in air. Installation of a carbon monoxide detector is highly recommended. When unburned logs remain in the firebox and the flame disappears, go outside and look at the chimney exit. If there is visible smoke, it means that there is still combustible to burn but that the fire lacks air to burn properly. In this situation, the CO rate will increase so it is important to react. Open the door slightly and move the log with a poker. Turn it over and create a passage for the air below, making a trench with the coal bed. Add small pieces of wood to restart the combustion.

## 6. Maintenance

This cookstove will give many years of reliable service if used and maintained properly. Some of the internal components of the firebox, such as vermiculite and baffle will wear over time under intense heat. Defective parts should always be replaced with original parts. Firing each load hot to begin a cycle will not cause premature deterioration of the cookstove. However, letting the cookstove run with the air intake fully open for the entire burn cycles can cause damage over time. The hotter the cookstove becomes throughout burn cycles, the more quickly its components will deteriorate. For this reason, **the cookstove should never be left unattended while a new load is being fired hot.**

### 6.1 Combustion Chamber

The cookstove cleaning frequency depends on the type and quality of combustible used. A high humidity rate, ashes, soot, or chemical components in the wood could increase the number of cleanings necessary. Therefore, it is important to pay attention to the combustible used.

To get the maximum performance from the cookstove, ashes should be removed regularly. The use of a personal, central, or commercial vacuum cleaner to clean up the cookstove is not recommended. Ash particles can damage the vacuum engine. Furthermore, hot ashes could ignite the content of the vacuum. The use of a specialized ash vacuum is highly recommended.

### 6.2 Removing ashes

It is recommended to clean the ashes only when there is an accumulation that is blocking the pilot in front of the combustion chamber or when they come out too easily when opening the door or by putting logs. There are two ways to dispose of ashes:

1. By removing the ash plug and pushing them into the ash drawer through the opening using a shovel.
2. By directly using a shovel in the combustion chamber and putting it in a container.

**Always operate the cookstove with the ash drawer in place.**

The best time to remove ashes is when the appliance is relatively cold, but there is still a little draft to suck the ash dust and prevent it from entering the room. Ashes should be placed in a metal container with a tight cover. The container should be placed on a non-combustible floor or on the ground away from any flammable material. Ashes can contain hot embers that can stay hot for several days. If the ashes are buried in the ground or scattered on site, they should be kept in the closed metal container until they are completely cooled. No other waste should be placed in this container.



**NEVER STORE ASHES INDOORS OR IN A NON-METALLIC CONTAINER OR ON A WOODEN DECK.**

### 6.3 Grills and cast iron cooking surface

Clean the grills with a brush and mild soap.

To clean the cast iron cooking surface, wipe it with a soft and damp cloth. **Do not clean the surface when it is hot.** If rust or scratches appear, follow the instructions in [section 6.4 Cleaning and painting](#) to repair the surface.

### 6.4 Cleaning and Painting

Painted surfaces can be wiped down with a soft, damp cloth. If the paint is scratched or damaged, it is possible to repaint the heater with a heat-resistant paint. **Do not clean or paint the appliance when it is hot.** Before painting, the surface should be sanded lightly with sandpaper and then wiped off to remove dust. Apply two thin layers of paint.

### 6.5 Refractory Materials and Baffle

Inspect the firebricks or the refractory panels and the baffle for damage periodically and replace anything that is broken.

*Operation of the heater with a cracked or missing baffle may cause unsafe temperatures and hazardous conditions and will void the warranty.*

## 6.6 Glasses

The cookstove has two glasses to maintain. The combustion chamber glass has a gasket while the furnace does not.

### 6.6.1 Cleaning

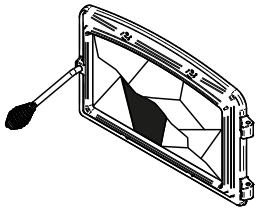
Under normal conditions, the door glass should stay relatively clear. If the firewood is dry enough and the operating instructions in this guide are followed, a whitish, dusty deposit will form on the inner surface of the glass after a week or so of use. This is normal and can be easily removed when the heater is cold by wiping with a damp cloth or paper towel and then drying.

When the stove runs at a low combustion rate, light brown stains may form, especially in the lower corners of the glass. This indicates that the fire has been smoky and some of the smoke has condensed on the glass. It also indicates incomplete combustion of the wood, which also means more smoke emissions and faster formation of creosote in the chimney.

The deposits that form on the glass are the best indication of the fuel quality and success in properly using the stove. These stains can be cleaned with a special wood stove glass cleaner. **Do not use abrasive products to clean the glass.**

The goal should be having a clear glass with no brown stains. If brown stains appear regularly on the glass, something about the fuel or the operating procedure needs to be changed. When brown streaks are coming from the edge of the glass, it is time to replace the gasket around the glass.

The glass gasket should be self-adhesive. Always replace the gasket with a genuine one.



**Do not clean the glass when the stove is hot.**

**Do not abuse the glass door by striking or slamming shut.**

**Do not use the stove if the glass is broken.**

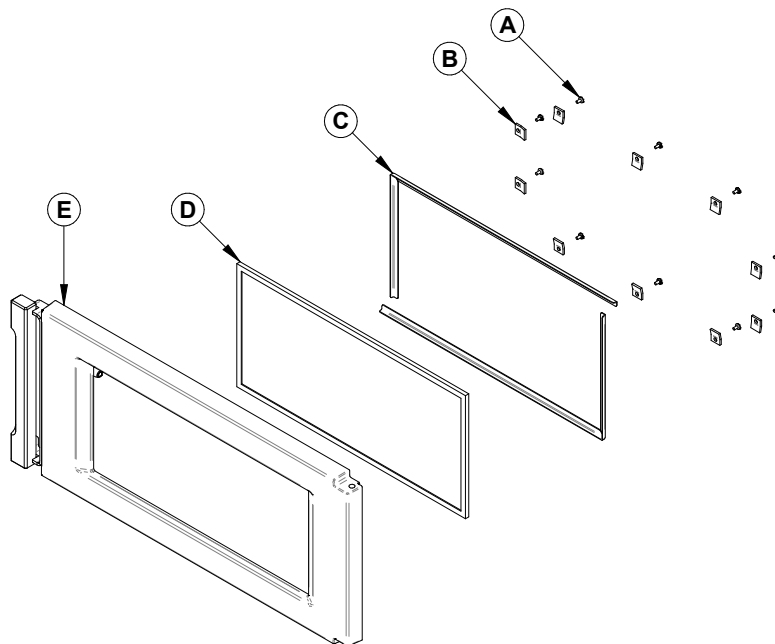
## 6.6.2 Combustion chamber glass replacement

The glass used is a ceramic glass, 5/32" (4 mm) thick, tested to reach temperatures up to 1400° F. The dimensions of the glass are 17 5/8" x 9 9/16". If the glass breaks, it must be replaced by a ceramic glass from SCHOTT with the same specification. Contact your dealer to obtain a genuine replacement part.

**WARNING - DO NOT USE SUBSTITUTE MATERIALS WHEN REPLACING THE GLASS.**

**To remove or replace the glass (D):**

THE IMAGES SHOWN ARE FOR GUIDANCE ONLY AND MAY BE DIFFERENT FROM YOUR PRODUCT,  
BUT THE ASSEMBLY REMAINS THE SAME.



1. Unscrew the setscrew from the hinge at the top of the door to release the rivet (rod inserted in the hinge). Remove the rivet while retaining the door. Lift the door **(E)** to remove it from the lower hinge and place it on a soft, level surface.
2. Remove the screws **(A)**, the glass retainers **(B)**, and the metal frames **(C)**.
3. Remove the glass **(D)**. If it is damaged install a new one in place. The replacement glass must have a gasket all around (see procedure below).
4. Reinstall the glass, being careful to centre the glass in the door and not to over-tightening the retaining screw.

*The two main causes of broken door glass are uneven placement in the door and over-tightening the retaining screws.*

ENGLISH

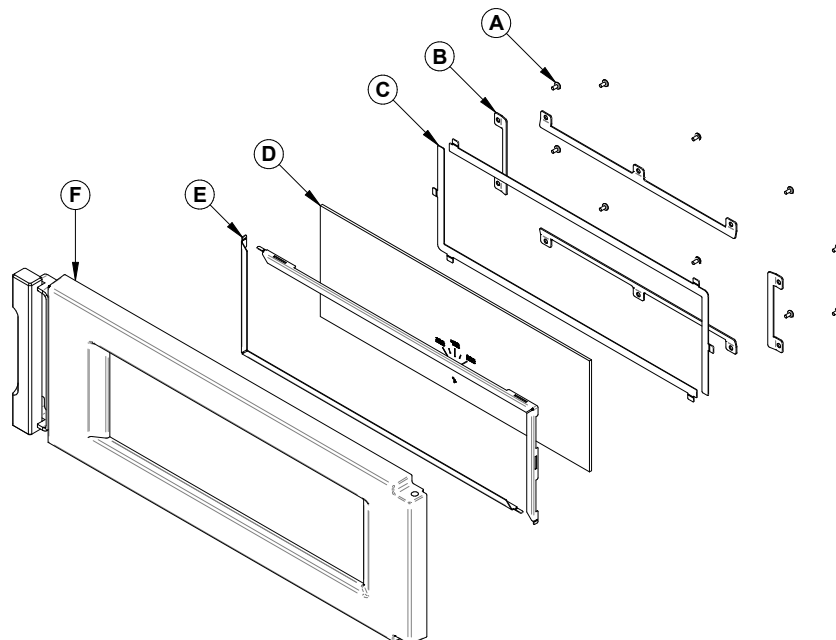
### 6.6.3 Oven glass replacement

The glass used is a ceramic glass, 5/32" (4 mm) thick, tested to reach temperatures up to 1400° F. The dimensions of the glass are 17.5" x 5.375". If the glass breaks, it must be replaced by a ceramic glass from SCHOTT with the same specification. Contact your dealer to obtain a genuine replacement part.

**WARNING - DO NOT USE SUBSTITUTE MATERIALS WHEN REPLACING THE GLASS.**

**To remove or replace the glass (D):**

THE IMAGES SHOWN ARE FOR GUIDANCE ONLY AND MAY BE DIFFERENT FROM YOUR PRODUCT, BUT THE ASSEMBLY REMAINS THE SAME.

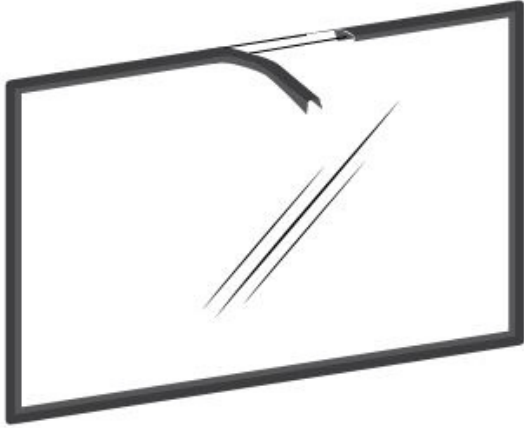


1. Unscrew the setscrew from the hinge at the top of the door to release the rivet (rod inserted in the hinge). Remove the rivet while retaining the door. Lift the door **(F)** to remove it from the lower hinge and place it on a soft, level surface.
2. Remove the screws **(A)**, the glass retainers **(B)**, and the metal frames **(C)**.
3. Remove the glass **(D)**. If it is damaged install a new one in place. The replacement glass must have a gasket all around (see procedure below).
4. Reinstall the glass, being careful to centre the glass in the door and not to over-tightening the retaining screw.

*The two main causes of broken door glass are uneven placement in the door and over-tightening the retaining screws.*

### 6.6.4 Gasket

The glass gasket is flat, adhesive-backed, woven fibreglass. The gasket must be centred on the edge of the glass.

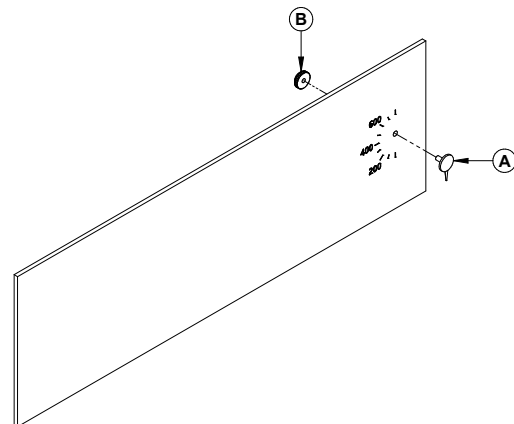


1. Follow the steps of the previous section to remove the glass.
2. Remove the old gasket and clean the glass thoroughly.
3. Peel back a section of the paper covering the adhesive and place the gasket on a table with the adhesive side up.
4. Stick the end of the gasket to the middle of one edge, then press the edge of the glass down onto the gasket, taking care that it is perfectly centred on the gasket.
5. Peel off more of the backing and rotate the glass. The gasket must not be stretched during installation.
6. Cut the gasket to the required length.
7. Pinch the gasket onto the glass in a U shape, all around the glass.

*By following these instructions, the edge clearances are maintain.*

### 6.6.5 Thermometer replacement

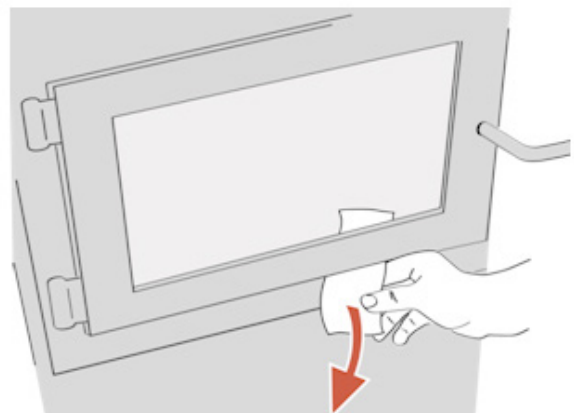
Install the thermometer **(A)** with the nut **(B)**.



### 6.6.6 Door sealing

In order for the stove to burn at its best efficiency, the door must provide a perfect seal with the firebox. The tightness of the door seal can be verified by closing and latching the door on a strip of paper. The test must be performed all a round the door. If the paper slips out easily anywhere, either adjust the door or replace the gasket.

**Perform this test only when the device is cold.**



### 6.6.7 Adjustment of the combustion chamber door

In order for the stove to burn at its best efficiency, the door must provide a perfect seal with the firebox. Therefore, the gasket should be inspected periodically to check for a good seal.

**The oven door must not hit the firebox.**

The gasket seal may be improved with a simple latch mechanism adjustment:

1. Unscrew the nuts **(A)** and **(B)** and readjust if necessary.
2. Screw the bolt **(C)** 1/4 turn if the door is not airtight, tighten everything and test the door's airtightness.
3. Repeat the same steps if the result is not conclusive.
4. Do the same steps for adjusting the oven door. The door must not hit the firebox.

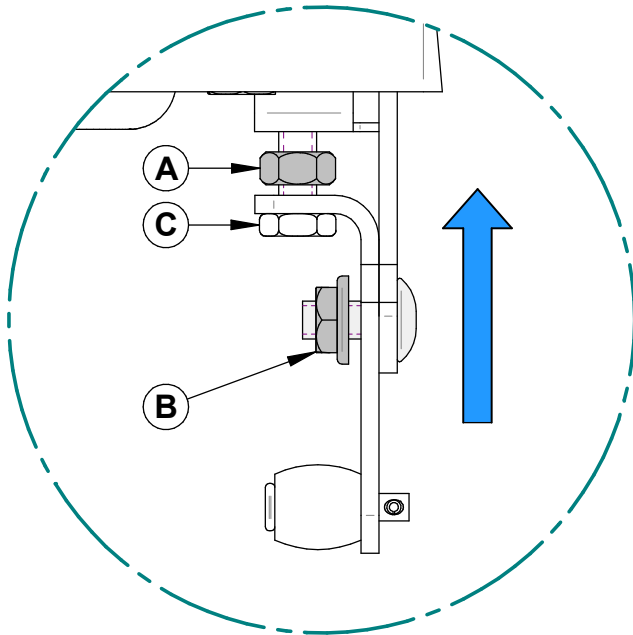


Figure 29: Combustion chamber door adjustment

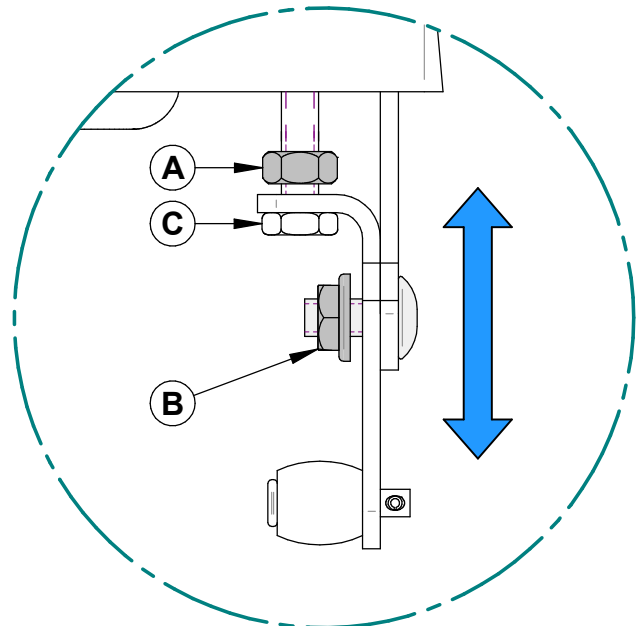


Figure 30: Oven door adjustment



### 6.6.8 Door Alignment

To align, open the door and loosen the pressures screws located on the lower and upper hinges of the door using a 3/32" Allen key to free the adjustable hinge rods.

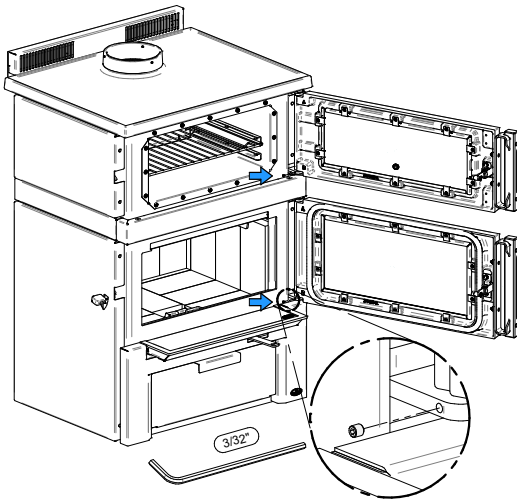


Figure 31: Release eccentric hinges

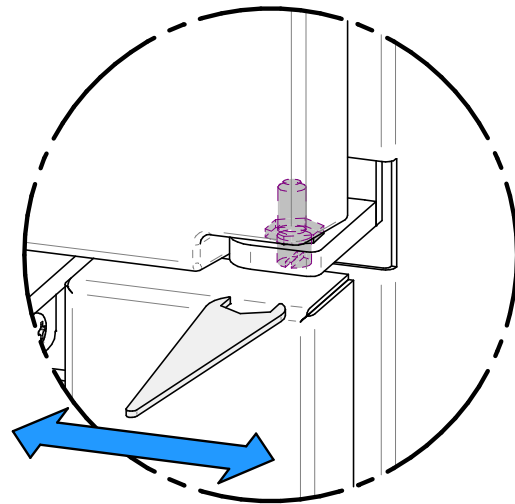


Figure 32: Adjust eccentric hinges

Using a flat screwdriver, turn the adjustable hinge rods in the direction shown to adjust the doors. Tighten all door hinge pressure screws when they are at the desired positions. Configurations 1-2-3-4-5-6-7-8, show in which direction these act on the adjustment of the door.

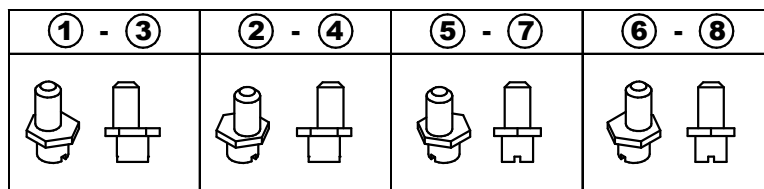


Figure 33: Eccentric hinges depth adjustment

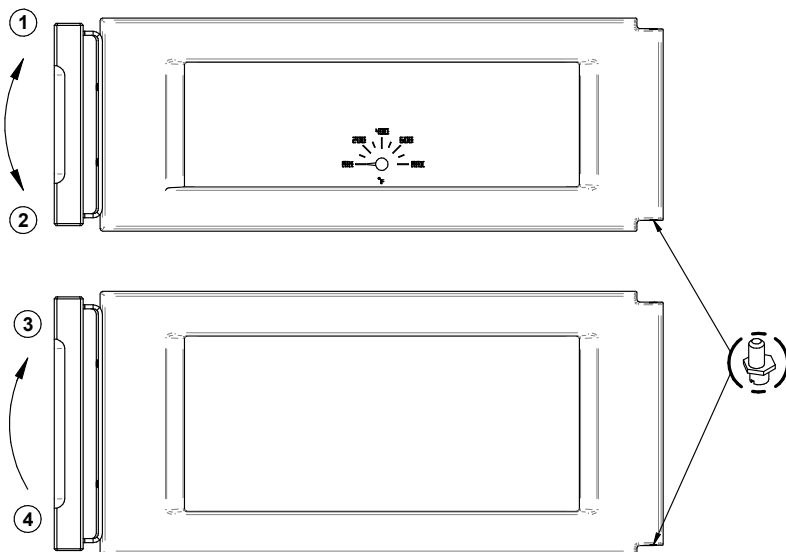


Figure 34: Doors adjustment

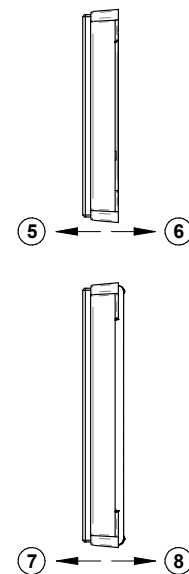


Figure 35: Eccentric hinges lateral adjustment

### 6.6.9 Gasket

It is important to replace the gasket with another having the same diameter and density to maintain a good seal.

1. Remove the door and place it face-down on something soft like a cushion of rags or a piece of carpet.
2. Remove the old gasket from the door. Use a screwdriver to scrape the old gasket adhesive from the door gasket groove.
3. Apply a bead of approximately 3/16" (5 mm) of high temperature silicone in the door gasket groove. Starting from the middle, hinges side, press the gasket into the groove. The gasket must not be stretched during installation.
4. Leave about 1/2" long of the gasket when cutting and press the end into the groove. Tuck any loose fibers under the gasket and into the silicone.
5. Close the door. Do not use the stove for 24 hours.

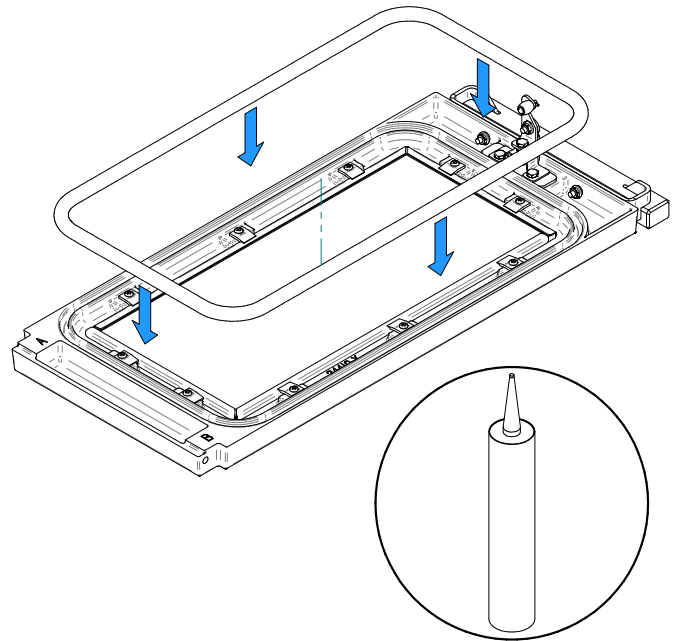


Figure 36: Gasket

**\*The oven door doesn't have a gasket**

## 6.7 Decorative Panels

To remove the decorative panel **(C)**, remove the wooden handle **(A)**, located on the side, by unscrewing the screw **(B)**. Unscrew the screws **(D)**, at the back of the decorative panels. Turn the back of the decorative panel **(C)** towards the outside and push upwards to remove it from the panel support **(E)**. Remove the other panels the same way.

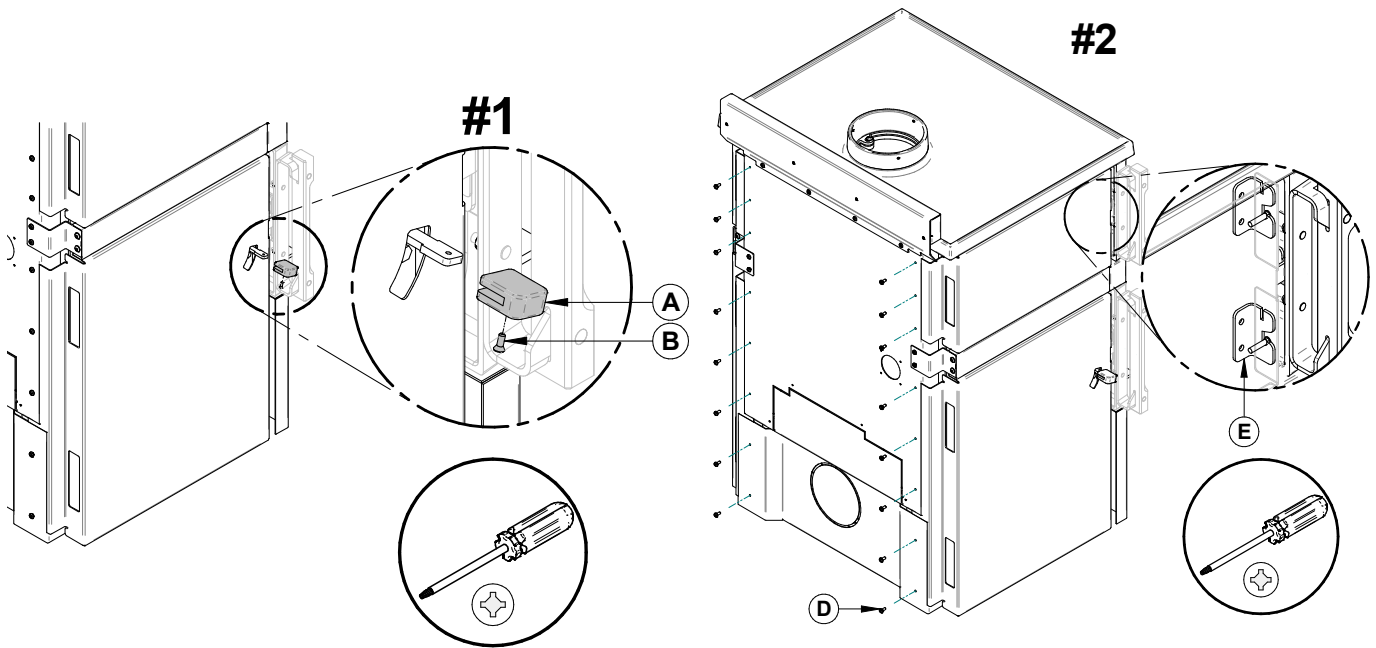


Figure 37: Remove the wooden handle

Figure 38: Decorative panels support

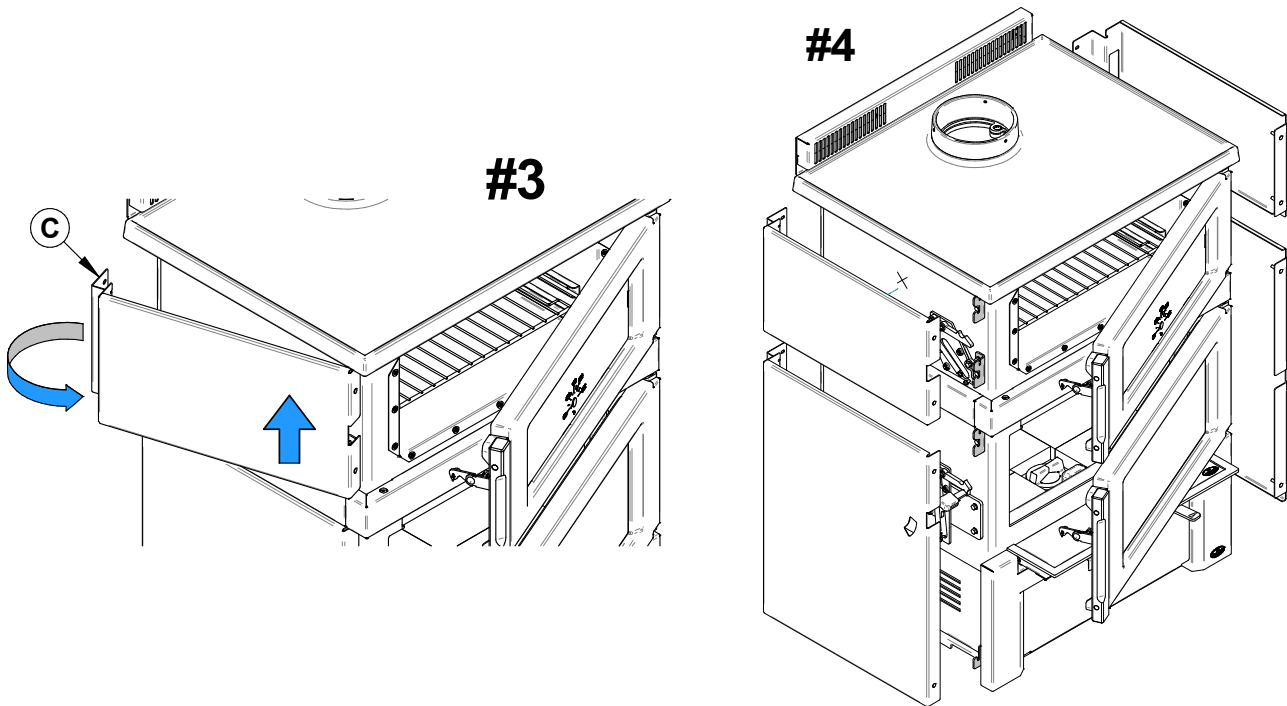
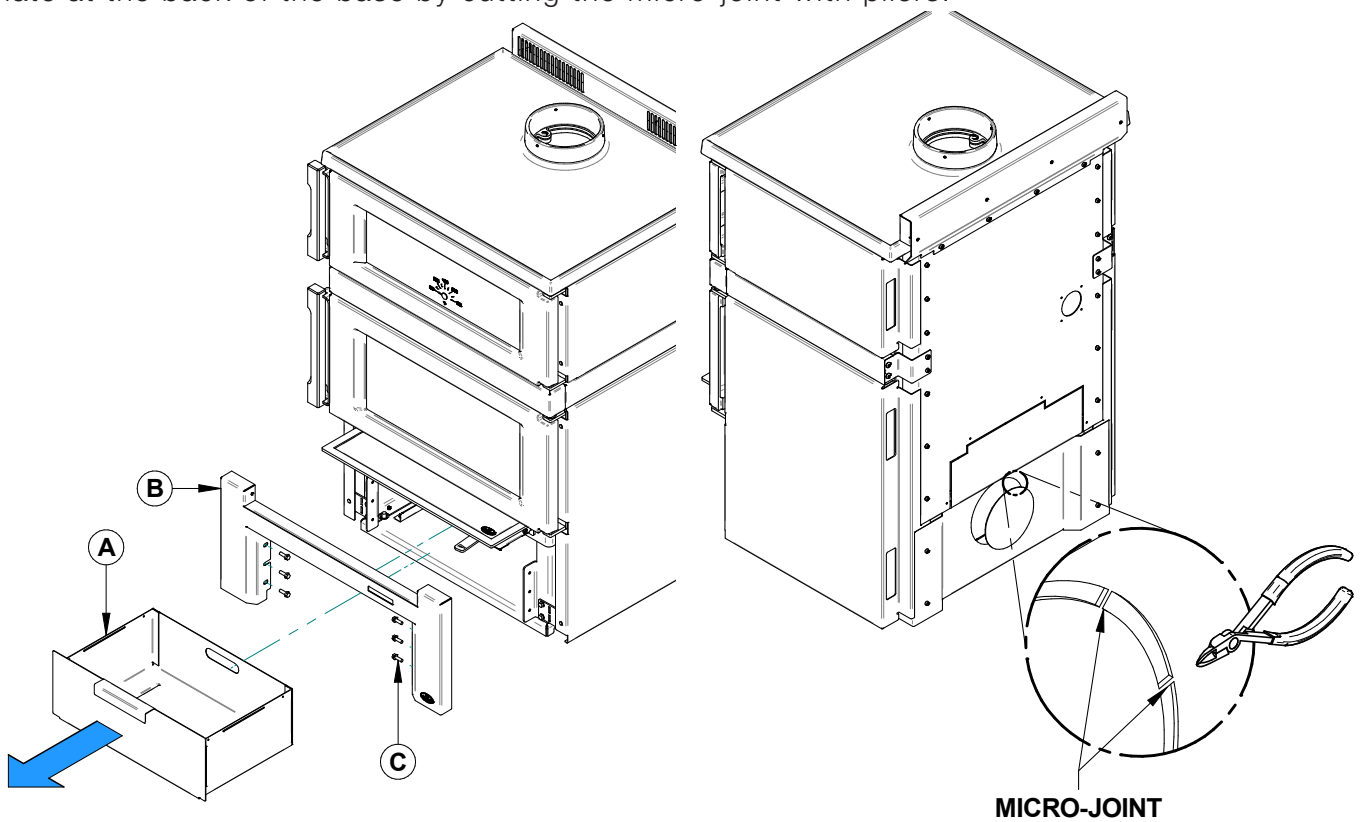


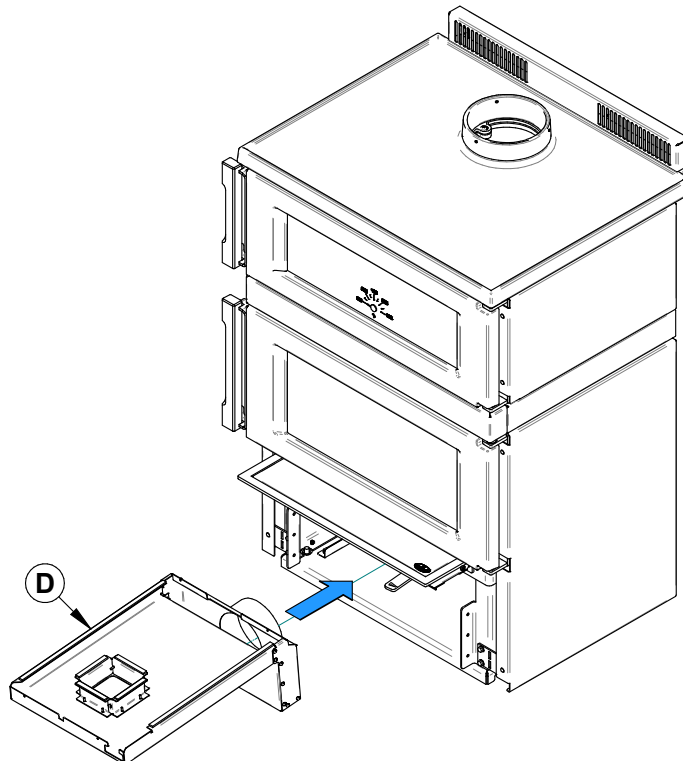
Figure 39: Remove the decorative panels

## 6.8 Fresh Air Intake Kit Installation

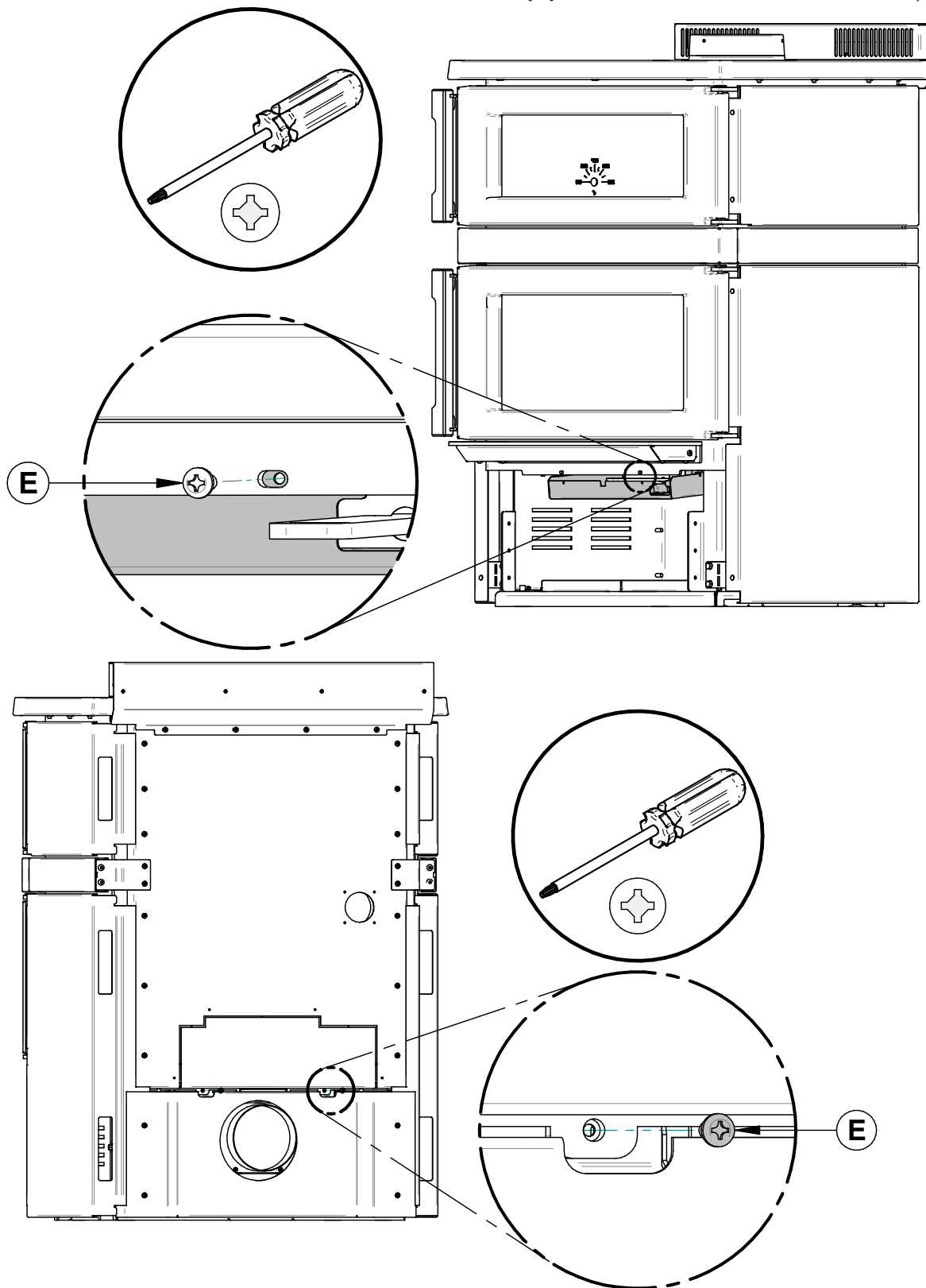
Remove the ash drawer **(A)** and the base front **(B)** by unscrewing the screws **(C)**. Remove the plate at the back of the base by cutting the micro-joint with pliers.



Pass the kit **(D)** through the base of the product and pass the nozzle through the hole previously cut in the back of the base.



Lift the kit forward and secure it with the screws **(E)** at the front and rear of the product.



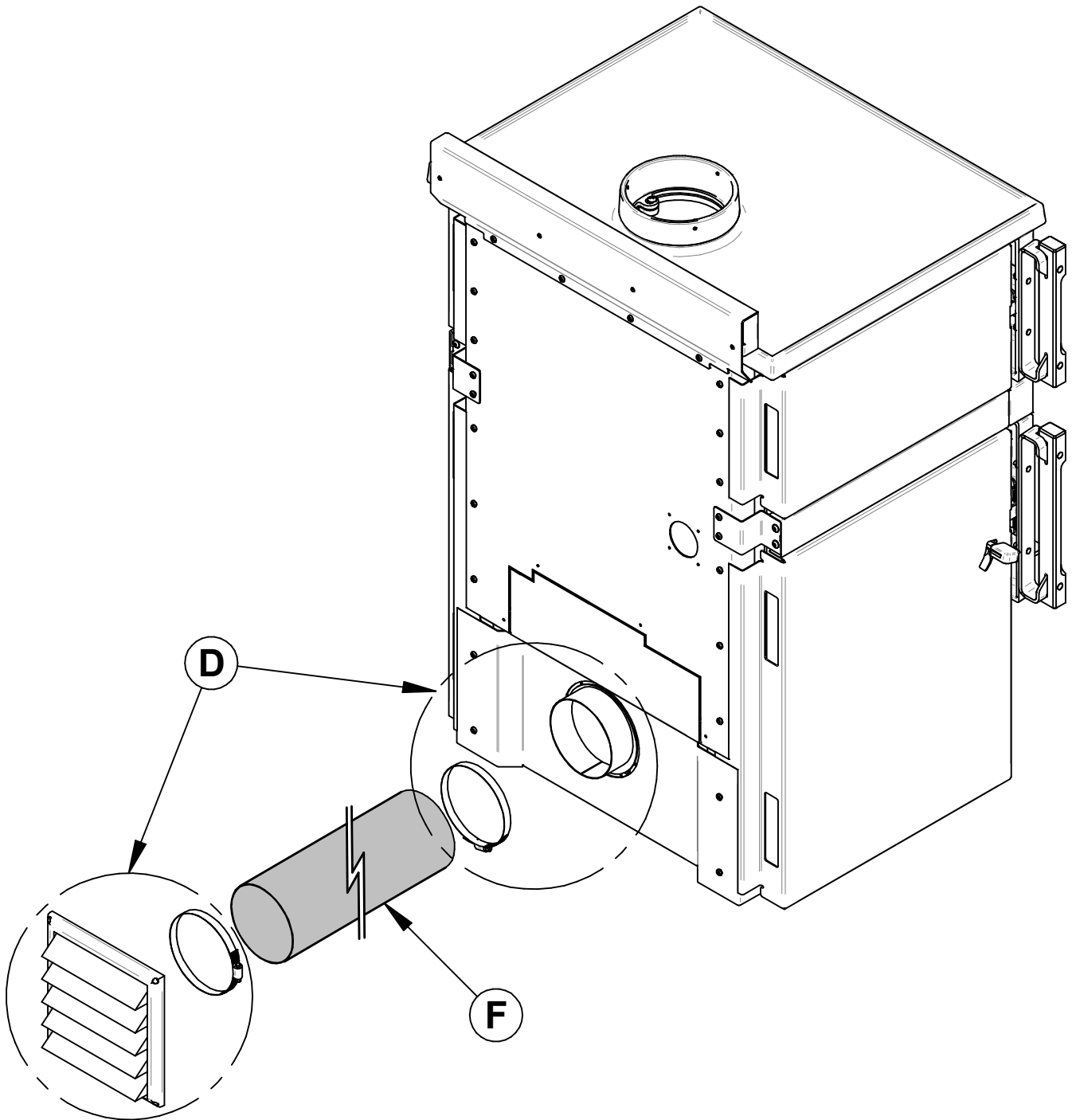
ENGLISH

Replace the ash drawer and the base front.

The installation of a fresh air intake kit **(D)** requires an insulated fresh air intake pipe **(F)** HVAC type (must meet ULC S110 or UL 181 class 0 or class 1), sold separately.

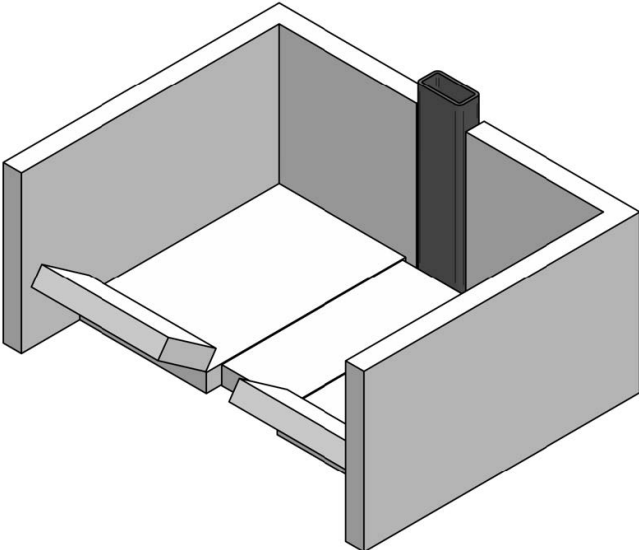
It is mandatory to install the fresh air intake in a mobile home.

Refer to air intake kit installation instructions for more details.

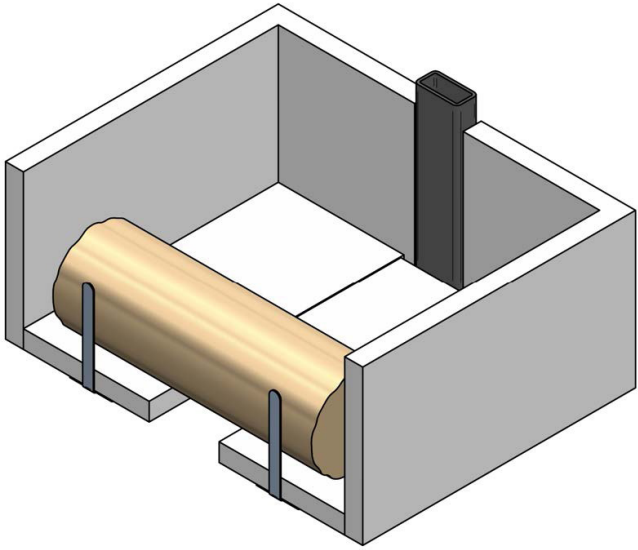


6.9 Log retainers installation

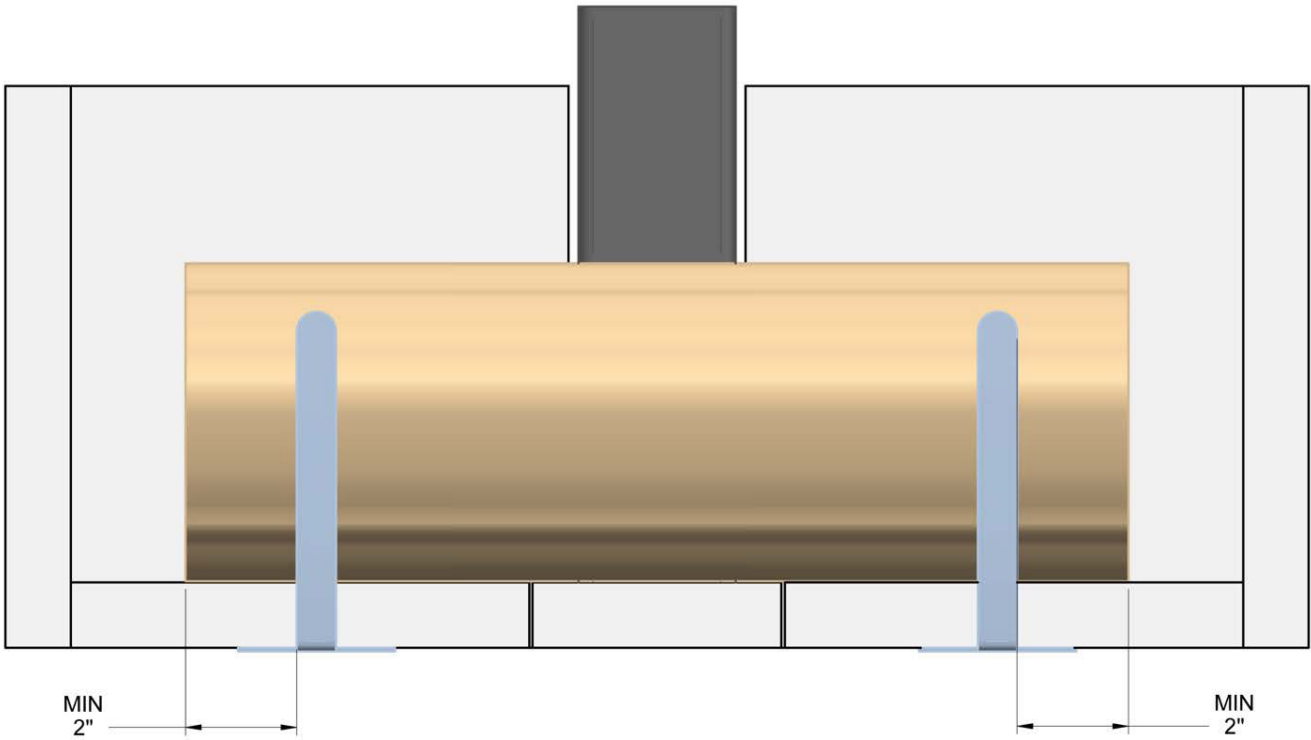
1.



2.



3.



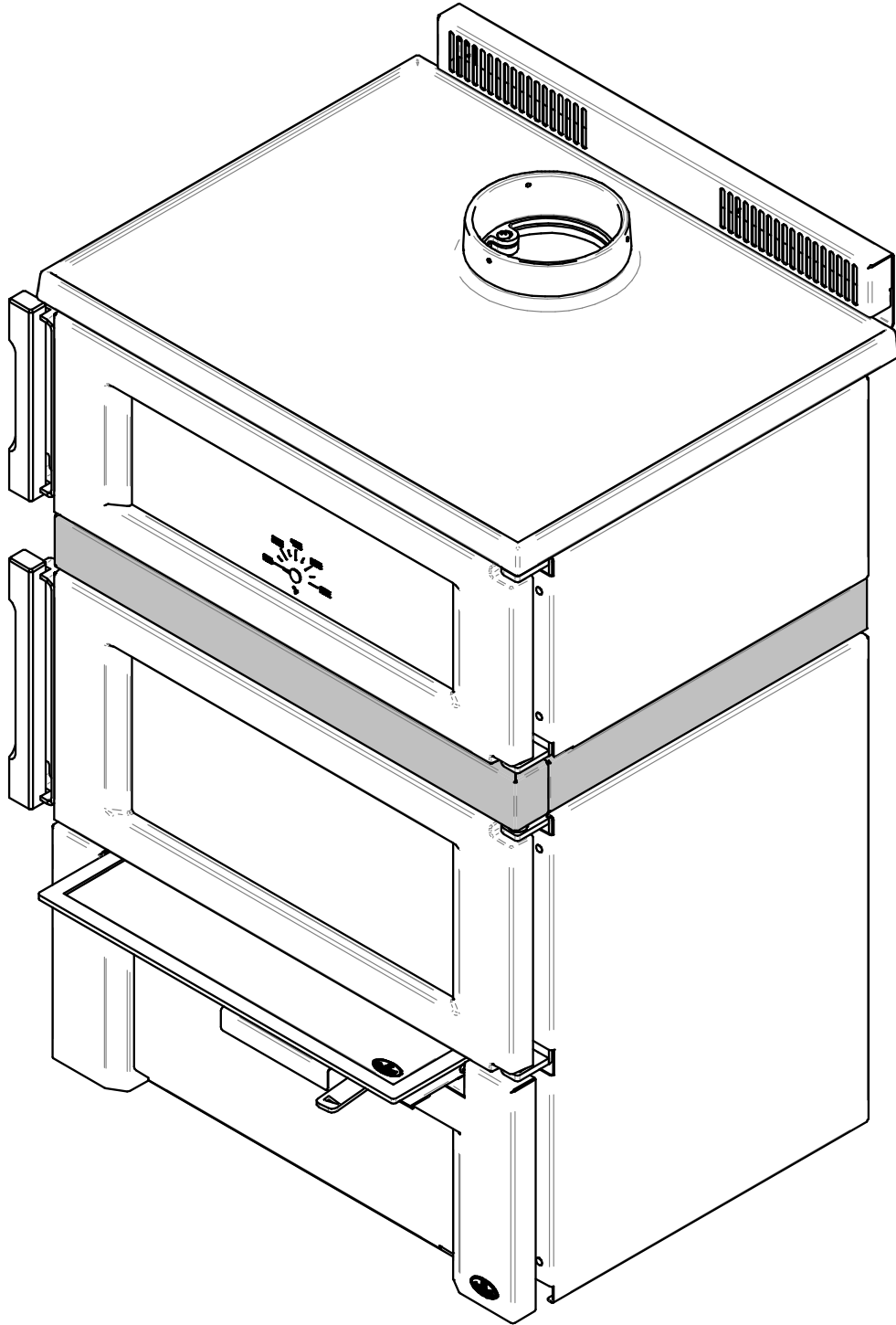
ENGLISH



## 6.10 Center molding installation

\*See center molding installation manual **46390**.

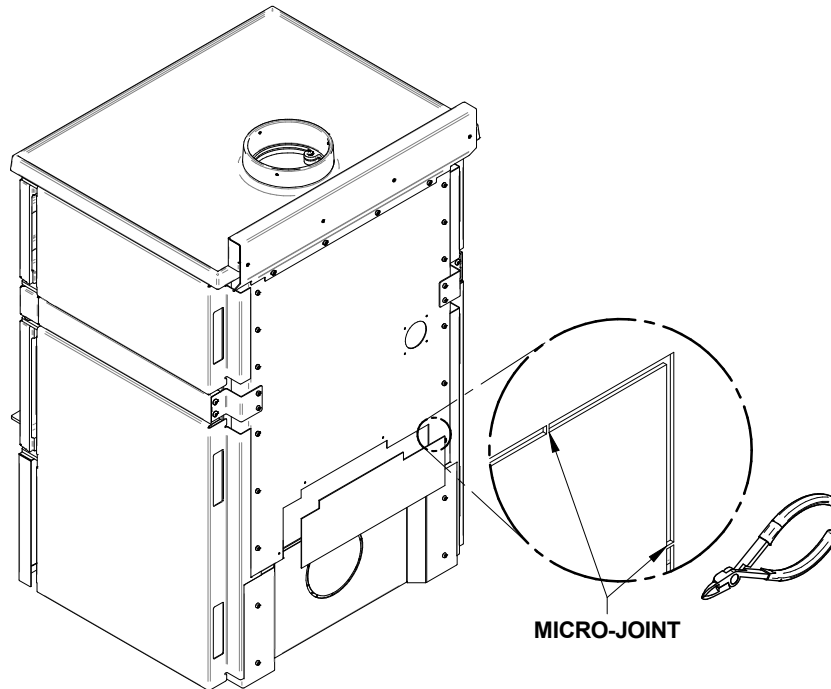
ENGLISH



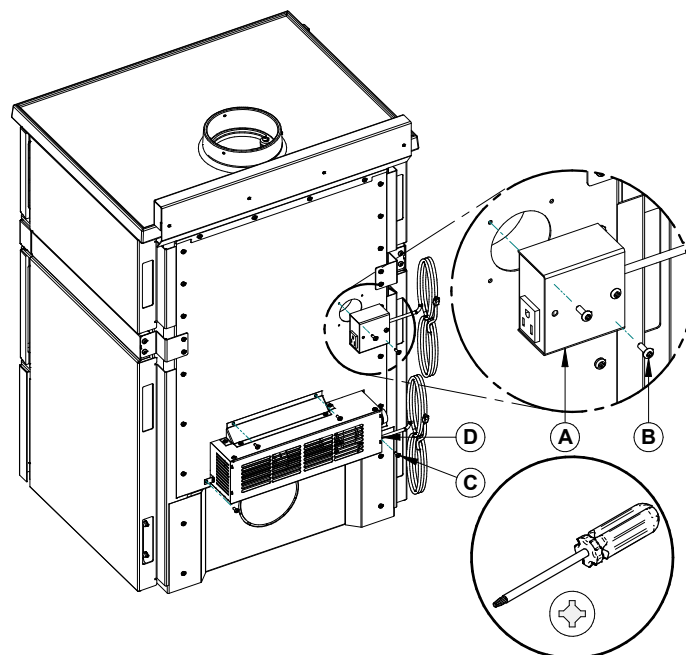
## 6.11 Optional Blower and Thermodisc Installation

A blower and a thermodisc can be installed on the Gusto. Thermodisc allows the blower to operate only when the cookstove is hot enough. See the instructions provided with the thermodisc for more details.

1. Remove the backplate by cutting the knockouts with pliers.

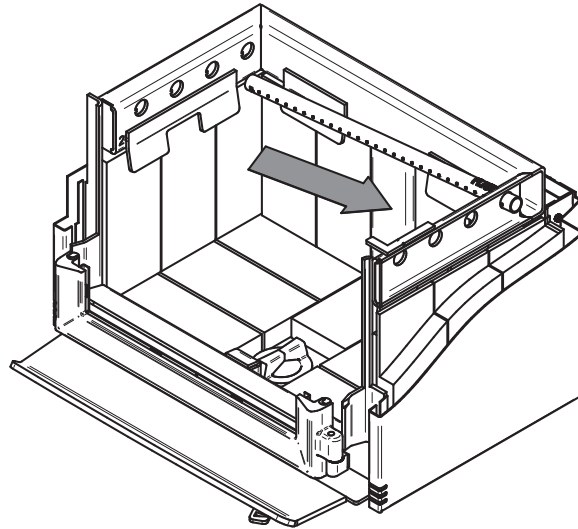


2. Screw the blower **(D)** in place using the screws **(C)** included in the installation manual. Screw the thermodisc **(A)** with the screws **(B)** supplied with the thermodisc on the back of the cookstove. **Ensure that the blower's power cord is not in contact with any surface of the stove to prevent electrical shock or fire damage. Do not run the power cord beneath the stove.**

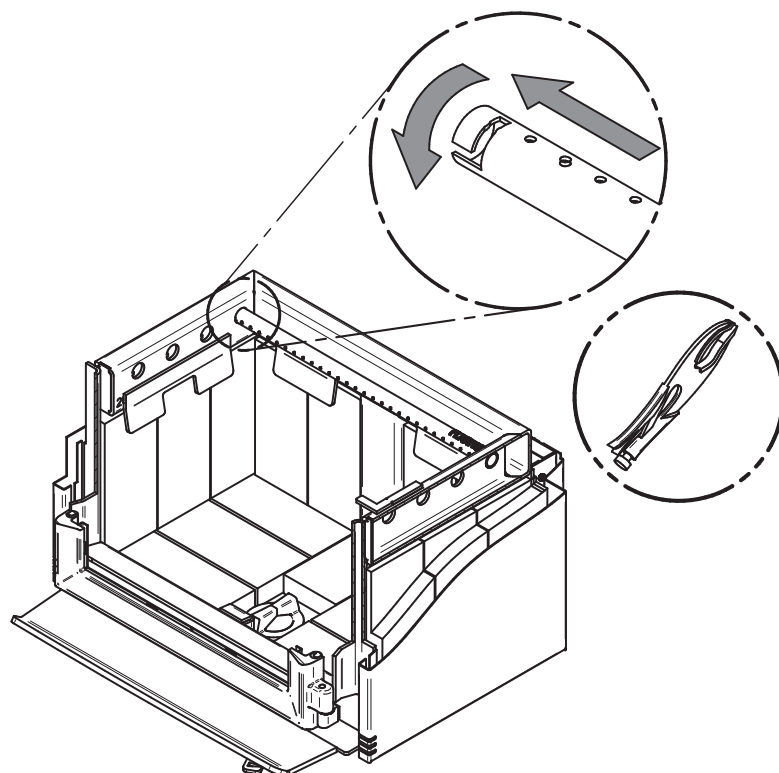


## 6.12 Air Tubes And Baffle Installation

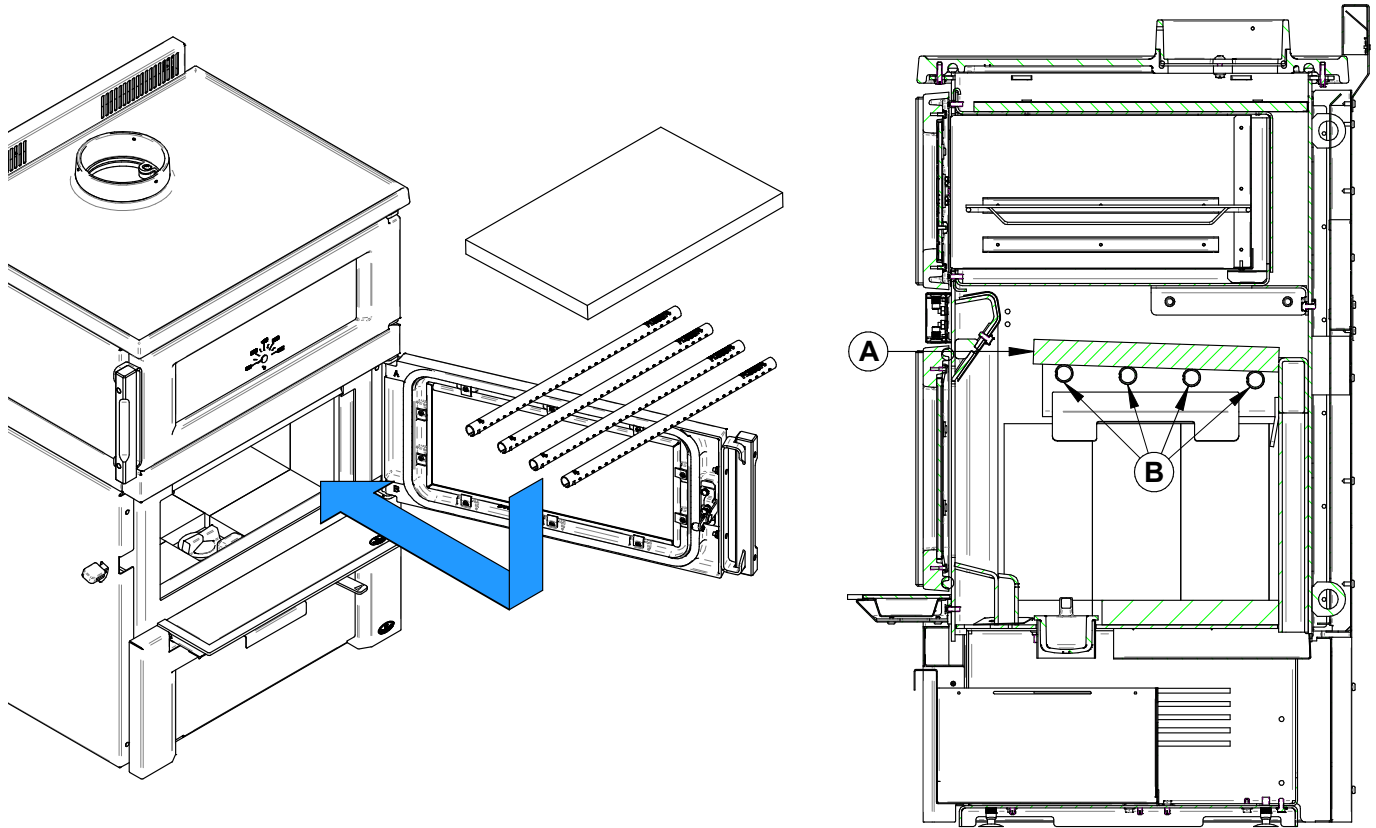
1. Starting with the rear tube, lean and insert the right end of the secondary air tube into the rear right channel hole. Then lift and insert the left end of the tube into the rear left channel.



2. Align the notch in the left end of the tube with the key of the left air channel hole. Using a « Wise grip » hold the tube and lock it in place by turning the tube as shown. Make sure the notch reaches the end of the key way.
3. Put the baffle in place.
4. Repeat steps 1 and 2 for the three other tubes.
5. To remove the tubes use the above steps in reverse order.



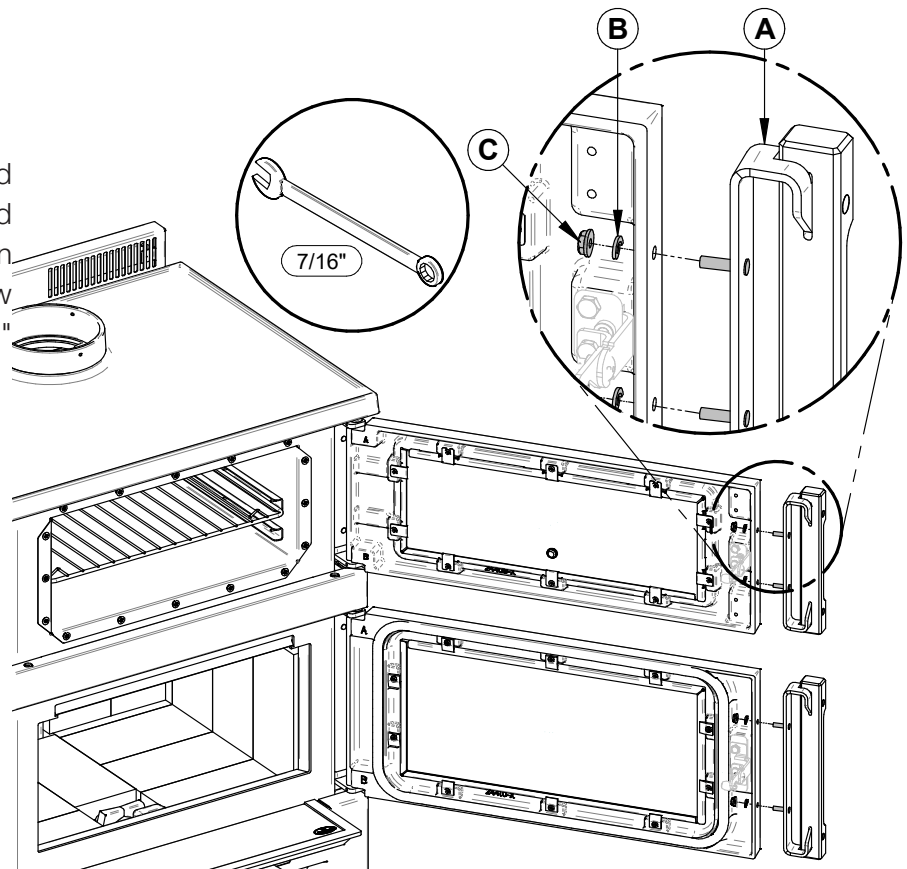
Note that secondary air tubes (B) can be replaced without removing the baffle board (A) and that all tubes are not necessarily identical (look at the part number on the tube).



ENGLISH

### 6.13 Handles installation

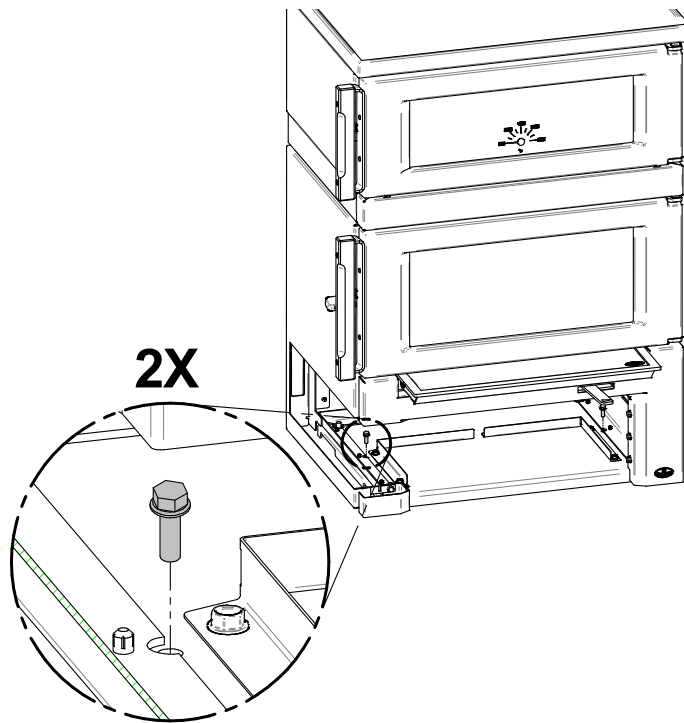
Insert, in order, the natural wood handle (A), the washers (B) and the nuts (C) into the holes on the side of each door. Screw everything together using a 7/16" wrench.



### 6.14 Mobile Home Installation

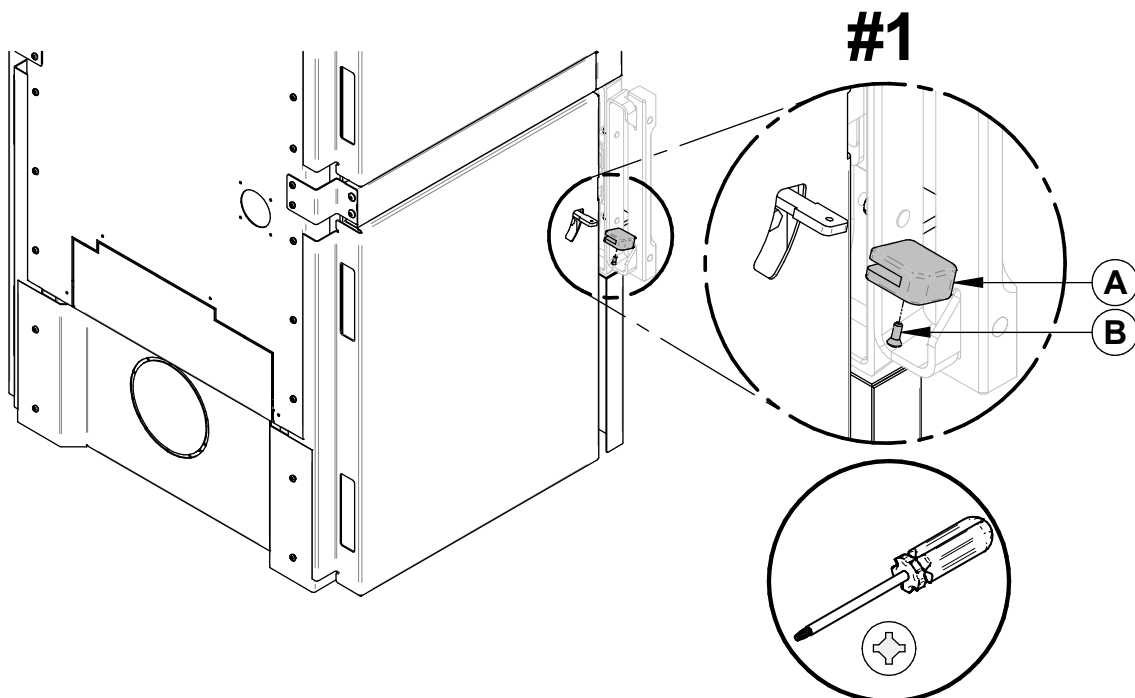
For a stove on a base, screw the base in place with the proper hardware.

**\*The proper hardware to screw the legs in place is not included.**

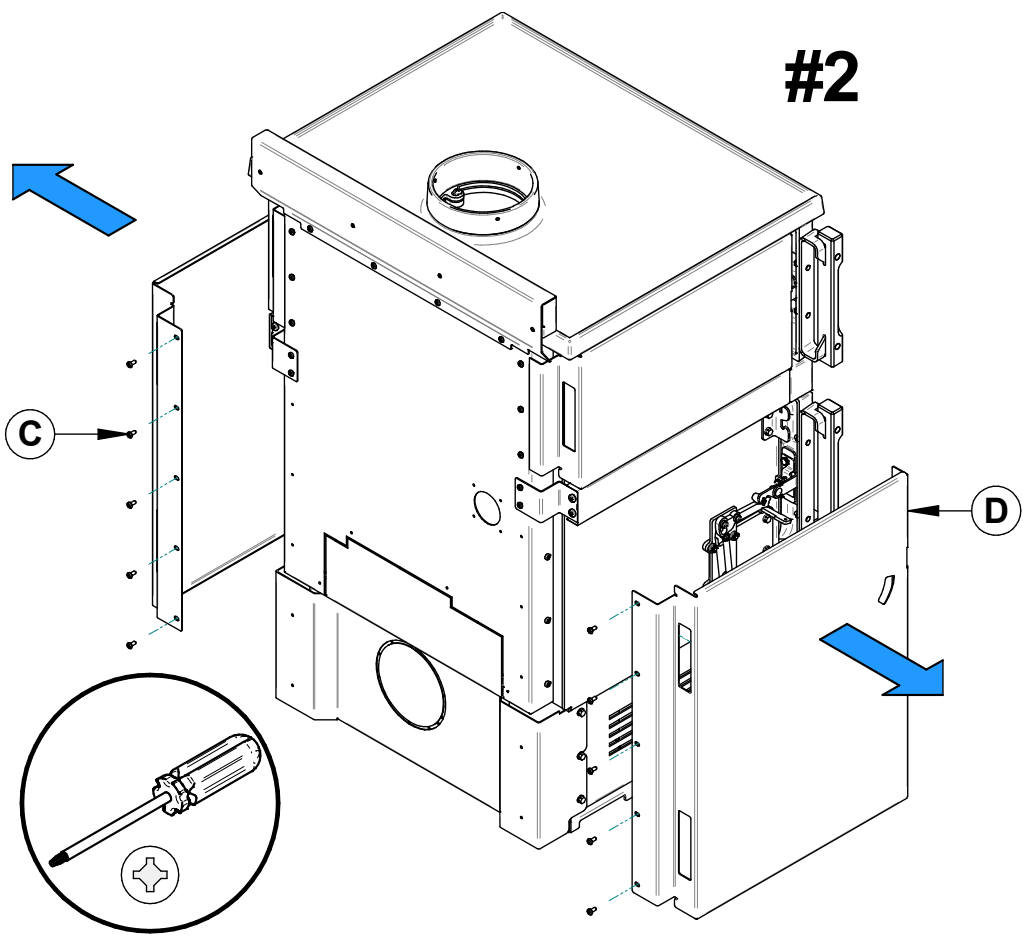


### 6.15 Level the product as needed

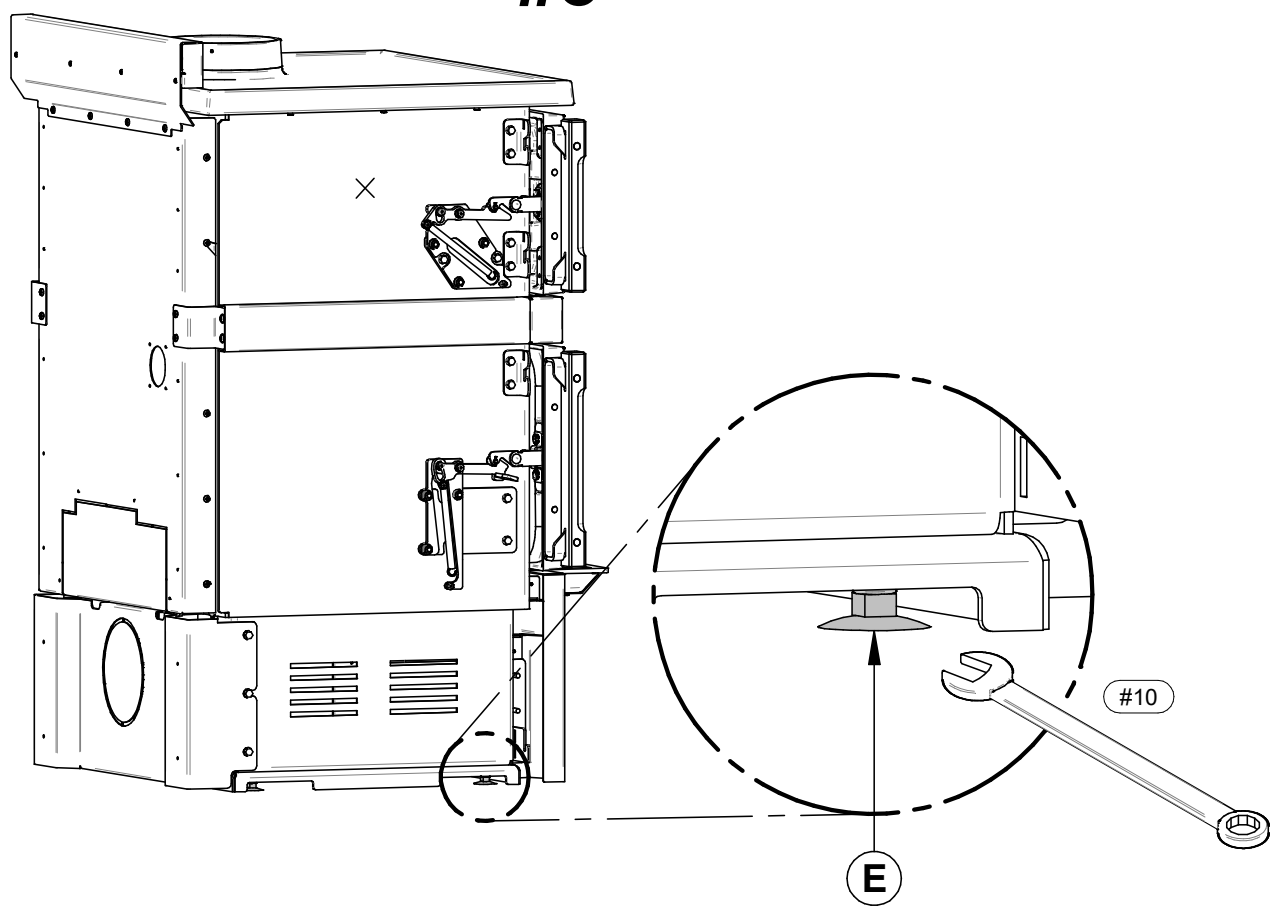
To level the product, first remove the stained wood handle **(A)**, located on the right side, by unscrewing the screws **(B)**. Unscrew the screws **(C)** to remove the decorative sides **(D)**. Adjust the elevator bolts **(E)** with a #10 wrench.



# #2



# #3



## 6.16 Exhaust System

Wood smoke can condense inside the chimney, forming a flammable deposit called creosote. If creosote builds up in the system, it can ignite when a hot fire is burned in the stove. A very hot fire can progress to the top of the chimney. Severe chimney fires can damage even the best chimneys. Smouldering, smoky fires can quickly cause a thick layer of creosote to form. When the stove is operated properly, the exhaust from the chimney is mostly clear and creosote builds up more slowly.

### «Creosote - Formation and Need to Removal

*When wood is burned slowly, it produces tar and other organic vapors, which combine with expelled moisture to form creosote. The creosote vapors condense in the relatively cooler chimney flue of a slow-burning fire. As a result, creosote residue accumulates on the flue lining. When ignited this creosote makes an extremely hot fire.*

*The chimney connector and chimney should be inspected at least once every two months during the heating season to determine if a creosote buildup has occurred.*

*The presence in a chimney of soot or creosote in excess of 1/8" (3 mm) thick will indicate the need for immediate cleaning, possible modification of burning procedures, and more frequent inspections. If creosote has accumulated it should be removed to reduce the risk of a chimney fire.»*

### 6.16.1 Frequency

It is not possible to predict how much or how quickly creosote will form in the chimney. It is important, therefore, to check the build-up in the chimney monthly until the rate of creosote formation is determined. Even if creosote forms slowly in the system, the chimney should be cleaned and inspected at least once each year.

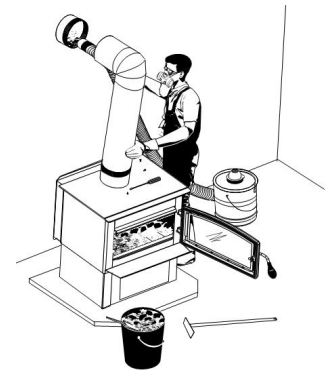
Establish a routine for the fuel, wood burner and firing technique. Check daily for creosote build-up until experience shows how often you need to clean to be safe. Be aware that the hotter the fire the less creosote is deposited, and weekly cleaning may be necessary in mild weather even though monthly cleaning may be enough in the coldest months.

Contact your local municipal or provincial fire authority for information on how to handle a chimney fire. Have a clearly understood plan to handle a chimney fire.

### 6.16.2 Sweeping the Chimney

Chimney sweeping can be a difficult and dangerous job. People with no chimney sweeping experience will often prefer to hire a professional chimney sweep to inspect and clean the system for the first time. After seeing the cleaning process, some will choose to do it themselves. The chimney should be checked regularly for creosote build-up.

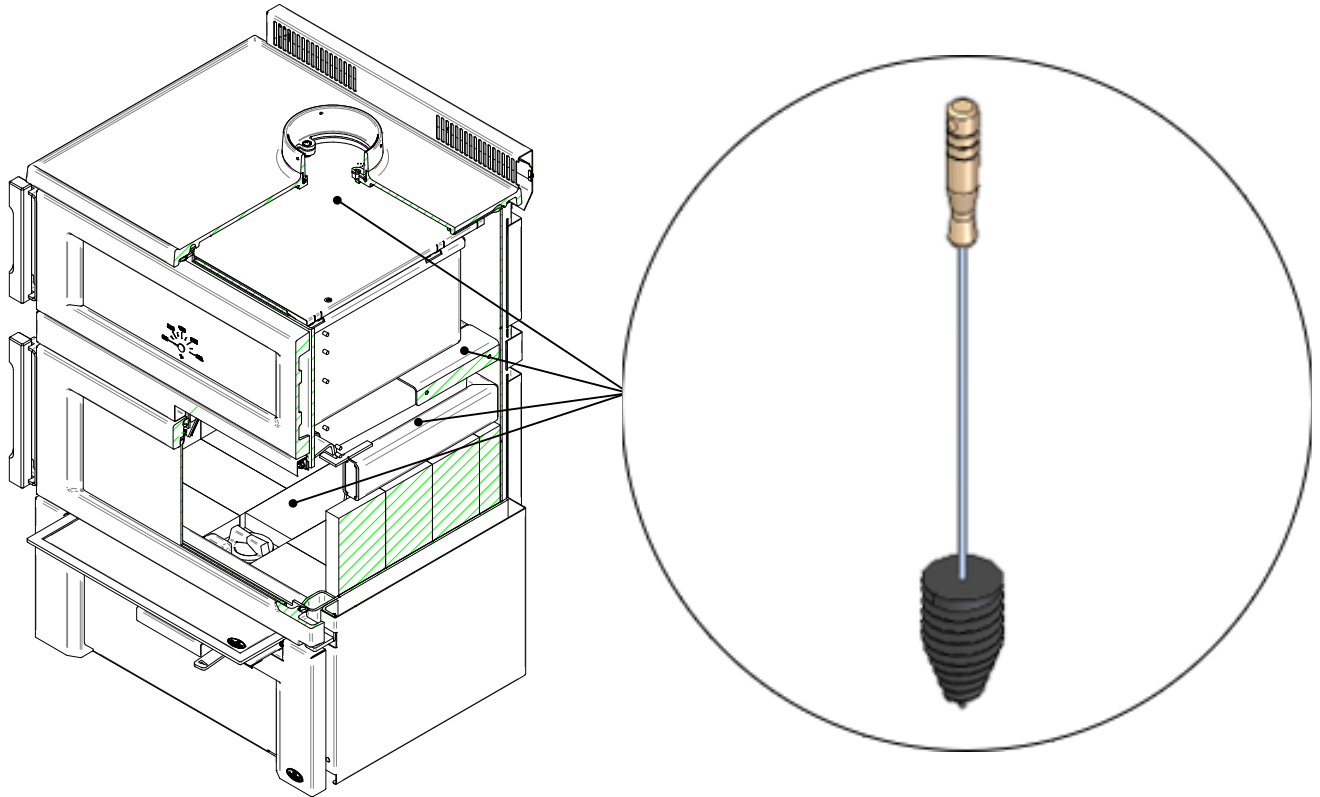
Inspection and cleaning of the chimney, but mainly cleaning of the gas path, can be facilitated by removing the baffle. See section [«6.9 Air Tubes And Baffle Installation»](#)



To properly clean all the gas path, it is recommended to use the cleaning brush. To make sure you reach all corners, especially the top and sides of the oven, it is recommended remove the chimney.



N.B. It is possible to remove the chimney after sweeping. The residues will thus all have fallen on top of the oven. You can also remove the chimney before sweeping and make sure to put a container as airtight as possible at the end of the chimney (where it has been unscrewed), to collect the residues that will fall during the sweeping.



ENGLISH

### 6.16.3 Chimney Fire

Regular chimney maintenance and inspection can prevent chimney fires. If you have a chimney fire, follow these steps:

1. Close the stove door and the air intake control;
2. Alert the occupants of the house of the possible danger;
3. If you require assistance, alert the fire department;
4. If possible, use a dry chemical fire extinguisher, baking soda or sand to control the fire. Do not use water as it may cause a dangerous steam explosion;

**Do not use the appliance again until the stove and its chimney have been inspected by a qualified chimney sweep or a fire department inspector.**

## PART B - INSTALLATION

### 7. General Information

#### 7.1 Security

- Read this manual completely before installing the cookstove. It is important to fully respect the installation instructions. If the cookstove is not correctly installed, it could result in a fire, bodily injuries or even death.
- The information given on the certification label affixed to the appliance always overrides the information published, in any other media (owner's manual, catalogues, flyers, magazines and web sites).
- Mixing of appliance components from different sources or modifying components may result in hazardous conditions. Where any such changes are planned, Stove Builder International Inc. Should be contacted in advance.
- **CAUTION: DO NOT CONNECT TO OR USE IN CONJUNCTION WITH ANY AIR DISTRIBUTION DUCTWORK UNLESS SPECIFICALLY APPROVED FOR SUCH INSTALLATION.**
- **CAUTION: DO NOT CONNECT THIS UNIT TO A CHIMNEY FLUE SERVING ANOTHER APPLIANCE.**
- **HOT WHILE IN OPERATION, KEEP CHILDREN, CLOTHING AND FURNITURE AWAY. CONTACT MAY CAUSE SKIN BURNS. GLOVES MAY BE NEEDED FOR THE STOVE OPERATION.**
- **WARNING: DO NOT INSTALL IN THE SLEEPING ROOM.**
- **DO NOT INSTALL IN AN ALCOVE.**
- **MAY BE INSTALLED IN A MOBILE HOME:**
  - **THE INSTALLATION REQUIRES A FRESH AIR KIT, SOLD SEPARATELY.**
  - **THE STOVE MUST BE ATTACHED TO THE STRUCTURE OF THE MOBILE HOME.**
  - **CAUTION: THE STRUCTURAL INTEGRITY OF THE MOBILE HOME FLOOR, WALL, CEILING AND ROOF MUST BE MAINTAINED.**
- This cookstove must be connected to a chimney complying with the requirements for Type HT chimneys approved as per UL 103 or ULCS629 or to a lined masonry chimney conforming to local and national building codes.
- **NOTE: DO NOT INSTALL THE CHIMNEY DIRECTLY AT THE OUTLET OF THE APPLIANCE. A CHIMNEY CONNECTOR (FLUE PIPE) IS REQUIRED UNLESS THE APPLIANCE IS SPECIFICALLY APPROVED FOR THAT TYPE OF INSTALLATION.**
- If required, a supply of combustion air shall be provided to the room.
- Do not use makeshift materials or make any compromises when installing this cookstove.
- Any modification to the device that has not been approved in writing by the approval authority or the manufacturer violates CSA B365 (Canada) and ANSI NFPA 211 (USA) standards.

## 7.2 Regulations Governing the Installation of the Cookstove

In Canada, the CSA B365 Installation Code for Solid Fuel Burning Appliances and Equipment is to be followed in the absence of local code requirements. In the USA, the ANSI NFPA 211 Standard for Chimneys, Fireplaces, Vents and Solid Fuel-Burning Appliances is to be followed in the absence of local code requirements.

This cookstove must be connected to a chimney complying with the requirements for Type HT chimneys in the Standard for Factory-Built Chimneys for Residential Type and Building Heating Appliances, UL 103 HT and ULC S629 or to a code-approved masonry chimney with a flue liner.

## 7.3 Cookstove Positioning

Choose a location to avoid the chimney conflicting with floor joists, roof trusses, wall studs, water pipes, electric wires, and that allows the least possible deviations in the chimney. The location of the cookstove must allow enough room for its maintenance and the exhaust system.

This cookstove weighs approximately 575 lb (261 kg). To validate the installation of additional floor joist, consult the local building code.

## 7.4 Location of the Certification Label

Since the information given on the certification label affixed to the appliance always overrides the information published, in any other media (owner's manual, catalogues, flyers, magazines and web sites) it is important to refer to it in order to have a safe and compliant installation. In addition, important information about the stove can be found (model, serial number, etc.). The certification label is located on the back of the stove.

It is recommended to note the stove serial number on [page 5](#) of this manual since it will be needed to precisely identify the version of the appliance in the event replacement parts or technical assistance is required. It is also recommended to [register the warranty online](#).

## 8. Clearances to Combustible Material

The clearances given in this section have been established following test results in accordance with the procedures described in the standards ULC S627 (Canada) and UL 1482 (USA). When this cookstove is installed respecting the indicated minimum clearances or more, the flammable surfaces won't overheat during normal or even abnormal usage.

**None of the cookstove parts or smoke pipe can be installed closer to the combustible materials than the minimum clearances indicated.**

**Clearances may only be reduced by means approved by the regulatory authority.**

**Fuel, solid or liquid, should not be located closer to combustibles than the minimum clearances given.**

The clearances to the combustible walls can differ slightly between Canada and the United States and can also vary depending on the use of a single wall or double connector. Make sure to use the proper clearances for the location and the type of pipe.

The clearances of the appliance and the flue pipes must be met individually, meaning the appliance can not be installed closer to the combustible materials than the single or double wall pipe allows. To know the safe way to reduce clearances, see section [8.2 Clearances Reduction to the Walls and the Ceiling](#).

Refer to the following images and tables for minimum required clearances.

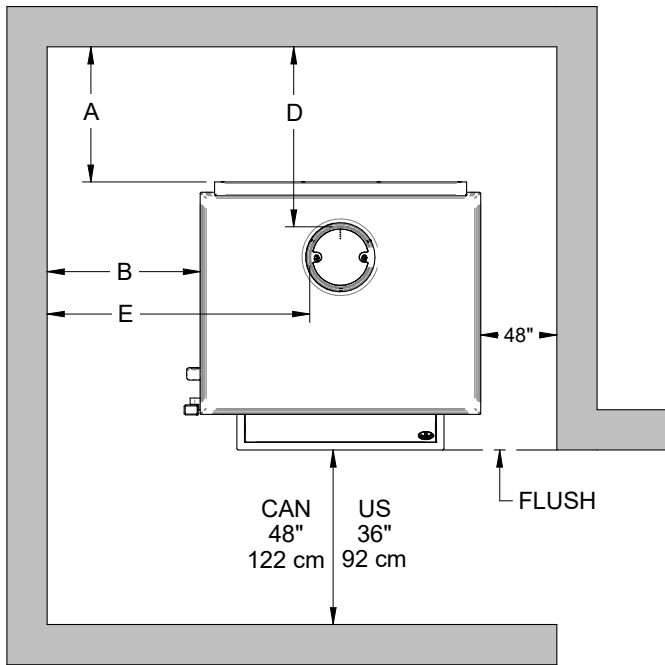


Figure 40: Clearances - Top

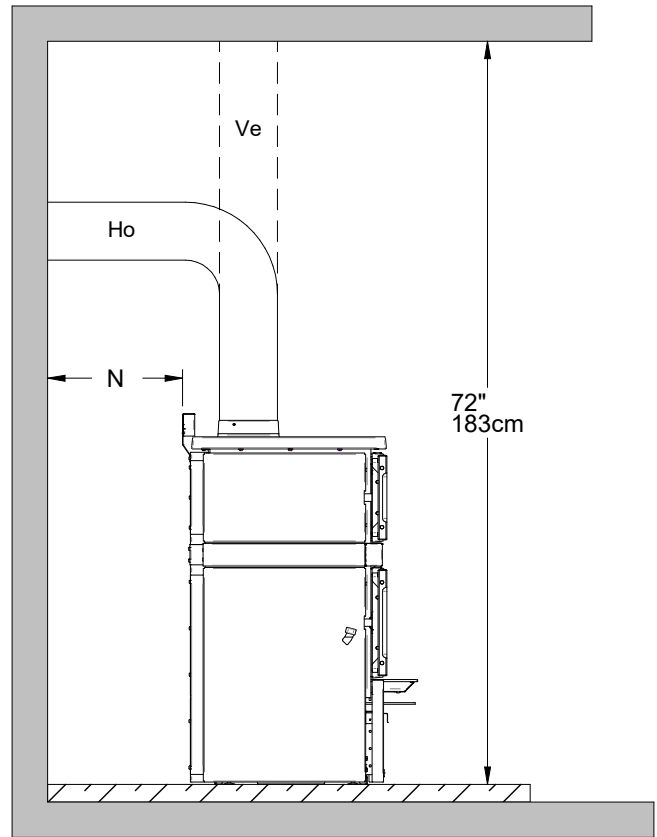


Figure 41: Clearances - Side

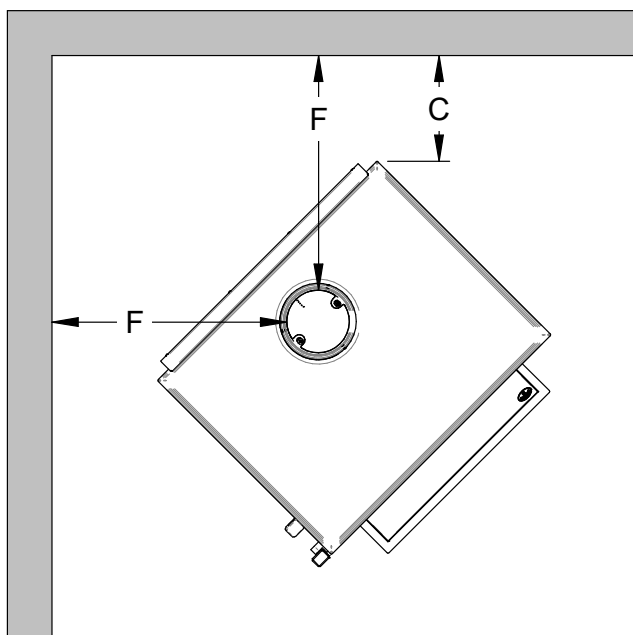


Figure 42: Clearances - Corner

|          | APPLIANCE CLEARANCES (INSTALLATION WITH SINGLE WALL PIPE CONNECTOR) |               |
|----------|---|---------------|
|          | Canada  | USA           |
| <b>A</b> | 15" (381 mm)  | 15" (381 mm)  |
| <b>B</b> | 15" (381 mm)  | 15" (381 mm)  |
| <b>C</b> | 7.5" (191 mm)   | 7.5" (191 mm) |
| <b>L</b> | 72" (183 cm)  | 72" (183 cm)  |

|          | APPLIANCE CLEARANCES (INSTALLATION WITH DOUBLE WALL PIPE CONNECTOR) |              |
|----------|---|--------------|
|          | Canada  | USA          |
| <b>A</b> | 6" (152 mm)   | 6" (152 mm)  |
| <b>B</b> | 15" (381 mm)  | 15" (381 mm) |
| <b>C</b> | 5" (127 mm)   | 5" (127 mm)  |
| <b>L</b> | 72" (183 cm)  | 72" (183 cm) |

If the above clearances are met, then the distances measured from the flue outlet will be:

|          | DISTANCES <sup>1</sup> FROM PIPE CONNECTOR WITH SINGLE WALL PIPE CONNECTOR |              |
|----------|--|--------------|
|          | Canada   | USA          |
| <b>D</b> | 18" (457 mm)   | 18" (457 mm) |
| <b>E</b> | 25" (635 mm)   | 25" (635 mm) |
| <b>F</b> | 18" (457 mm)   | 18" (457 mm) |

|          | DISTANCES <sup>1</sup> FROM PIPE CONNECTOR WITH DOUBLE WALL PIPE CONNECTOR |                 |
|----------|--|-----------------|
|          | Canada   | USA             |
| <b>D</b> | 9" (127 mm)  | 9" (127 mm)     |
| <b>E</b> | 24.75" (318 mm)  | 24.75" (318 mm) |
| <b>F</b> | 15" (318 mm)   | 15" (318 mm)    |

<sup>1</sup> The pipe distances listed in this table refer to the distances obtained when the stove is installed in accordance with the appliance clearances above mentioned.

## 8.1 Floor Protection

This stove is designed to prevent the floor from overheating. However, it must be placed on a non-flammable surface to protect the floor from hot embers that may fall during loading.

The floor protection must be a continuous, non combustible material, such as steel with a minimum thickness of 0.015" (0.38 mm) or ceramic tiles sealed together with grout. Cement board, brick, or any other approved or listed material suited for floor protection. No R factor required.

Any type of tile will require a continuous non combustible sheet beneath to prevent the possibility of embers falling through to the combustible floor if cracks or separation should occur in the finished surface. Check local codes for approved alternatives. No protection is required if the unit is installed on a non-combustible floor (ex: concrete).

|                      | FLOOR PROTECTION                  |                                   |
|----------------------|-----------------------------------|-----------------------------------|
|                      | Canada <sup>1</sup>               | USA                               |
| <b>G<sup>2</sup></b> | 8" (203 mm)                       | N/A                               |
| <b>H</b>             | 8" (203 mm)                       | N/A                               |
| <b>I</b>             | 18" (457 mm)<br>From door opening | 16" (406 mm)<br>From door opening |
| <b>J</b>             | N/A                               | 8" (203 mm)                       |
| <b>K</b>             | 42 7/8" (1089 mm)                 | 39 7/8" (1013 mm)                 |
| <b>N<sup>3</sup></b> | N/A                               | See note 3                        |
| <b>S</b>             | 48 3/8" (1229 mm)                 | 38 3/8" (975 mm)                  |
| <b>T</b>             | 34 1/4" (870 mm)                  | 27 1/8" (689 mm)                  |
| <b>U</b>             | 42 7/8" (1089 mm)                 | 39 7/8" (1013 mm)                 |
| <b>V</b>             | 69 7/8" (1775 mm)                 | 58 3/8" (1483 mm)                 |

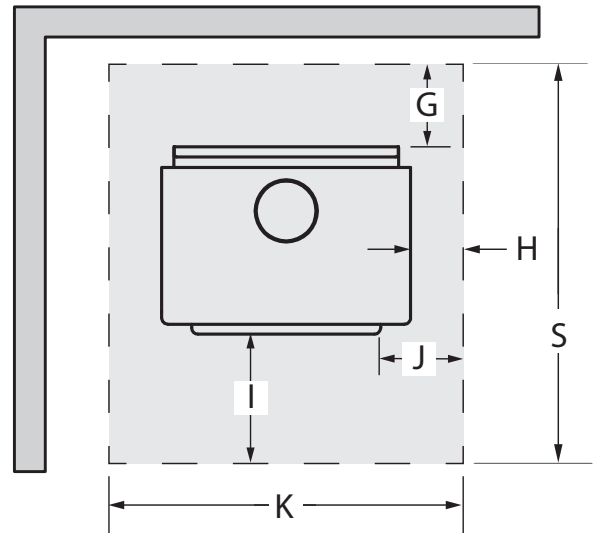
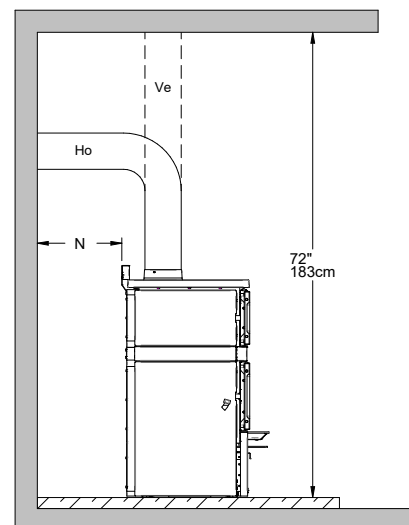
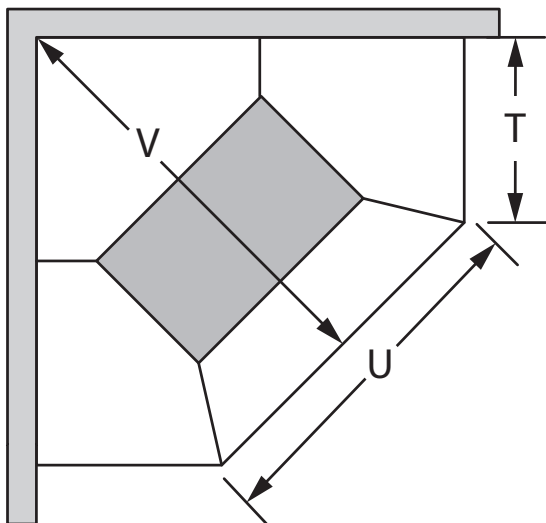


Figure 43: Floor protection



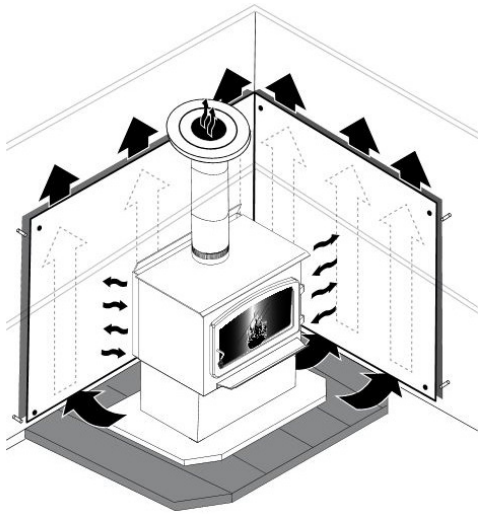
<sup>1</sup> In Canada, to comply with CSA B365, Installation Code for Solid-Fuel-Burning Appliances and Equipment, any combustible covering beneath the appliance and/or within the area extending horizontally at least 450 mm (18 in) beyond the appliance on any side equipped with a door, and at least 200 mm (8 in) beyond the appliance on other sides, shall be protected by a continuous, durable, non-combustible pad that will ember protection. The 450 mm (18 in) ember protection required on any side with a door shall extend for the full width of the appliance plus the 200 mm (8 in) required on each side of the appliance without a door. Where the appliance is installed less than 200 mm (8 in) from a wall, the ember pad need only extend to the base of the wall. An ember pad shall not be placed on top of a carpet unless the pad is structurally supported to prevent displacement and distortion.

<sup>2</sup> The floor protection at the back of the stove is limited to the stove's required clearance if such clearance is smaller than 8 inches (203 mm).

<sup>3</sup> Only required under the horizontal section (Ho) of the connector. Must exceed each side of the connector by at least 2 inches (51 mm).

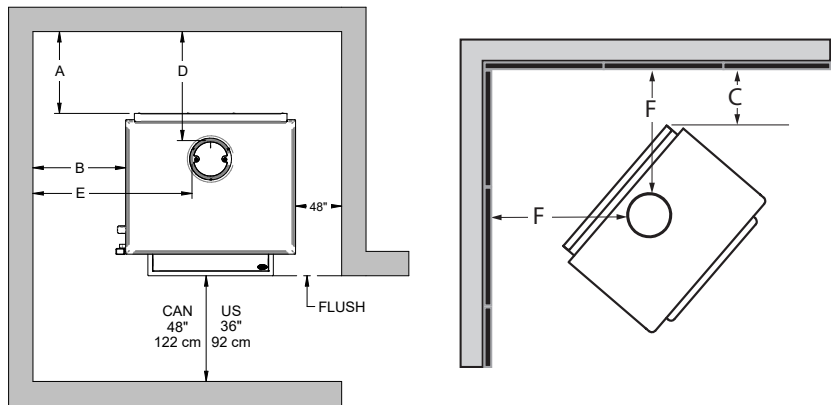


## 8.2 Clearances Reduction to the Walls and the Ceiling



It is often desired to use as little space as possible when installing cookstove. To do this, it is possible to reduce the clearances safely and install the cookstove closer to the walls by permanently installing a heat shield between the cookstove and the flammable material. It is possible to obtain a heat shield that respects the dimensions requirements indicated in sections [8.3 Clearances for Shield Installation](#) and [8.3.2 Mobile home with heat shield](#). It is possible that additional sections or extensions are needed in order to reduce clearances easily and safely.

It is also possible to fabricate the heat shield but one must be careful since the rules for heat shield construction are sometimes complicated. Read and apply the instructions carefully. Some regions may have different regulations. Consult the local building code or contact the fire department for restrictions, inspection and installation requirements in the area.



|          | APPLIANCE CLEARANCES WITH A DOUBLE WALL PIPE CONNECTOR AND A HEAT SHIELD (AC02765, AC02766) <sup>1</sup> |              |
|----------|--|--------------|
|          | Canada   | USA          |
| <b>A</b> | 2.5" (64 mm)   | 2.5" (64 mm) |
| <b>B</b> | 2.5" (64 mm)   | 2.5" (64 mm) |
| <b>C</b> | 2.5" (64 mm)   | 2.5" (64 mm) |

|          | DISTANCE FROM PIPE CONNECTOR WITH DOUBLE WALL PIPE CONNECTOR AND A HEAT SHIELD (AC02765, AC02766) <sup>2</sup> |                 |
|----------|--|-----------------|
|          | Canada   | USA             |
| <b>D</b> | 5.5" (140 mm)  | 5.5" (140 mm)   |
| <b>E</b> | 12.25" (311 mm)  | 12.25" (311 mm) |
| <b>F</b> | 12.5" (318 mm)   | 12.5" (318 mm)  |

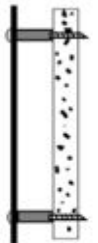
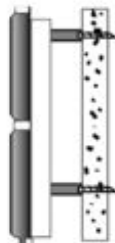

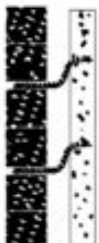

### 8.2.1 Heat Shield Construction Rules

- Adhesives used in the shield construction must not inflame or loose their adhesive properties at the temperature that potentially will be reached.
- The assembly hardware must allow for complete vertical ventilation.
- The assembly hardware that penetrates in the combustible material from the screen surface can only be used on the edges of the screen.

<sup>1</sup> Note that to reduce the clearances as close as 6" from combustible material of an appliance using a single wall pipe, a certified heat shield must be used. Only in this situation, the same clearances as with a certified double wall pipe connector can be used.

<sup>2</sup> The pipe distances listed in this table refer to the distances obtained when the stove is installed in accordance with the appliance clearances above mentioned.

**Table 1 : Clearances Reduction Percentages Table**

| TYPE OF SHIELD   | CLEARANCES MAY BE REDUCED BY THESE PERCENTAGES |          |               |          |   |
|--|--|----------|---------------|----------|---|
|  | SIDES AND REAR                                 |          | TOP (CEILING) |          |   |
|  | CAN /USA (%)                                   | USA MIN. | CAN /USA (%)  | USA MIN. |   |
| Sheet metal, a minimum of 24 gauge (0.61 mm) in thickness , spaced out at least 25 mm (1 in)* by non-combustible spacers   | 67   | 12 in    | 50            | 18 in    |    |
| Ceramic tiles, or equivalent non-combustible material, on non-combustible board spaced out at least 25 mm (1 in)* by non-combustible spacers   | 50   | 18 in    | 33            | 24 in    |    |
| Ceramic tiles, or equivalent non-combustible material, on non-combustible board, with a minimum of 24 gauge (0.61 mm) sheet metal backing spaced out at least 25 mm (1 in)* by non-combustible spacers | 67   | 12 in    | 50            | 24 in    |  |
| Brick, spaced out at least 25 mm (1 in)* by non-combustible spacers  | 50   | 18 in    | N/A           | N/A      |  |
| Brick, with a minimum of 24 gauge (0.61 mm) sheet metal backing, spaced out at least 25 mm (1 in)* by non-combustible spacers  | 67   | 12 in    | N/A           | N/A      |  |

\* In Canada this space can be 7/8" (21 mm)

### 8.3 Clearances for Shield Installation

ENGLISH

|   |  |   |
|---|--|---|
| 1 | Minimum clearance between the top of the appliance and the unprotected ceiling                               | 833 mm (32 13/16")                                    |
| 2 | Shield extension above appliance   | 500 mm (20")  |
| 3 | Minimum space behind the shield  | USA 25 mm (1")<br>Can. 21 mm (7/8")                   |
| 4 | Clearance at the bottom of the shield  | USA 25 mm (1")<br>Can. min. 25 mm (1") max 76 mm (3") |
| 5 | Minimum clearance from the top of the shield to the ceiling:   | 76 mm (3")  |
| 6 | The assembly hardware must not be located at less than 200 mm (8") from the combustion chamber central axis. |   |
| 7 | Shield edges clearances from the side and back walls for ceiling shield                                      | 75 mm (3")  |
| 8 | Shield overtaking beyond the sides of the appliance  | 450 mm (18")  |

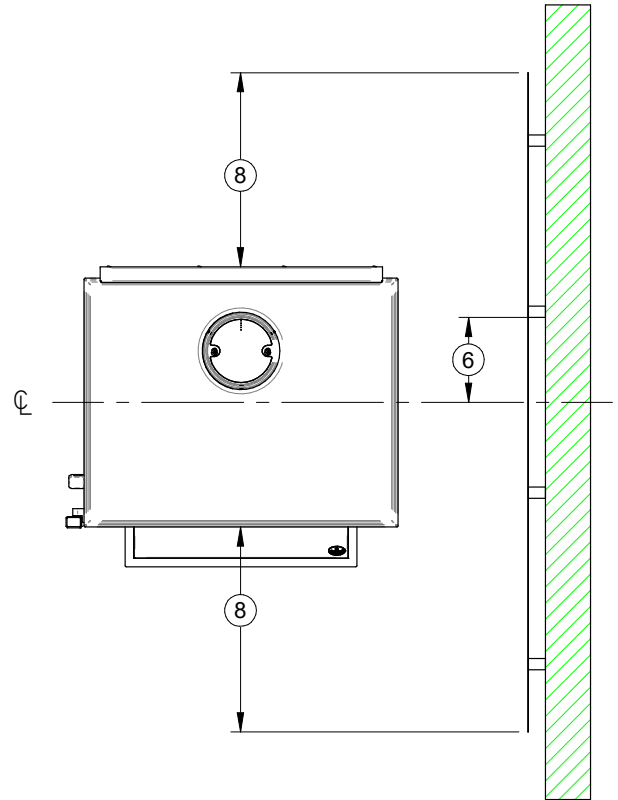


Figure 44: Clearances with Heat Shield - Top

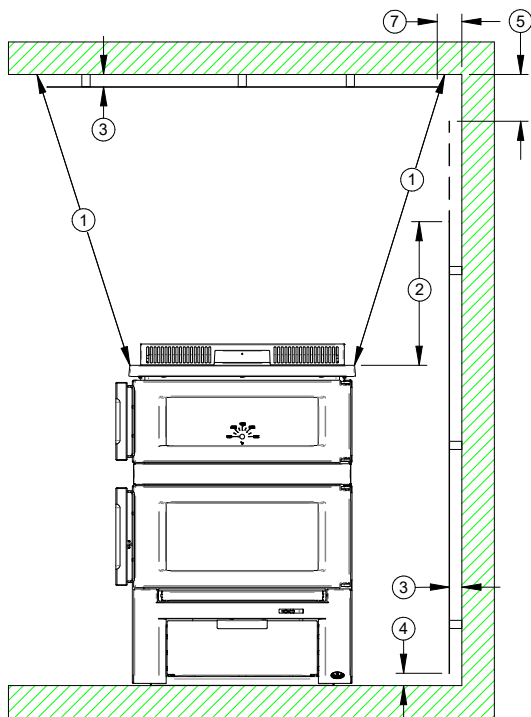


Figure 45: Clearances with Heat Shield - Face

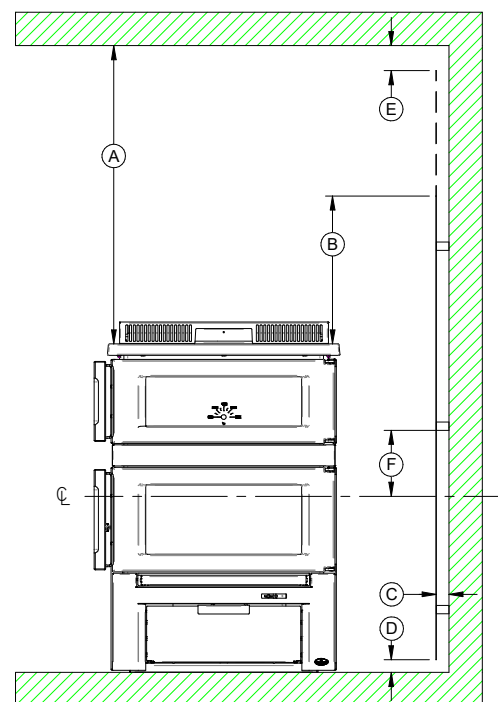


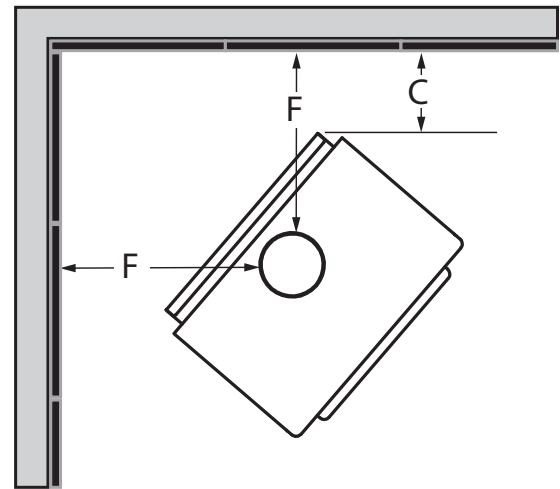
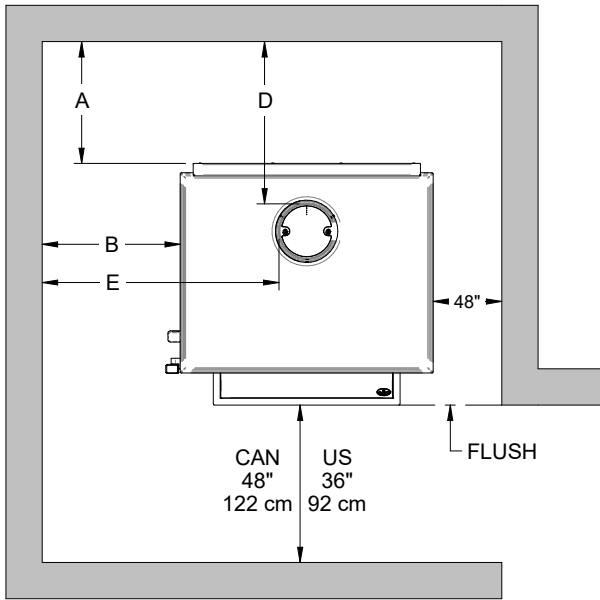
Figure 46: Clearances with Heat Shield - Face

### 8.3.1 Mobile Home

It is strictly **forbidden** to install a unit with **a single wall pipe** in a **mobile home**.

|          | APPLIANCE CLEARANCES WITH DOUBLE WALL PIPE CONNECTOR |              |
|----------|--|--------------|
|          | Canada   | USA          |
| <b>A</b> | 6" (152 mm)  | 6" (152 mm)  |
| <b>B</b> | 15" (381 mm)   | 15" (381 mm) |
| <b>C</b> | 5" (127 mm)  | 5" (127 mm)  |
| <b>L</b> | 84" (213 cm)   | 84" (213 cm) |

|          | DISTANCES <sup>1</sup> FROM PIPE CONNECTOR WITH DOUBLE WALL PIPE CONNECTOR |                 |
|----------|--|-----------------|
|          | Canada   | USA             |
| <b>D</b> | 9" (229 mm)  | 9" (229 mm)     |
| <b>E</b> | 24.75" (629 mm)  | 24.75" (629 mm) |
| <b>F</b> | 15" (381 mm)   | 15" (381 mm)    |



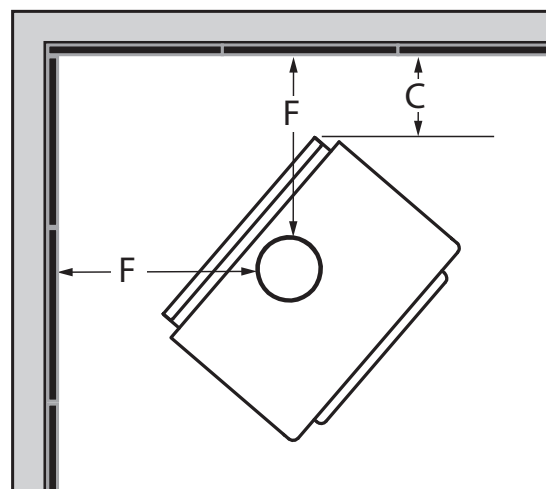
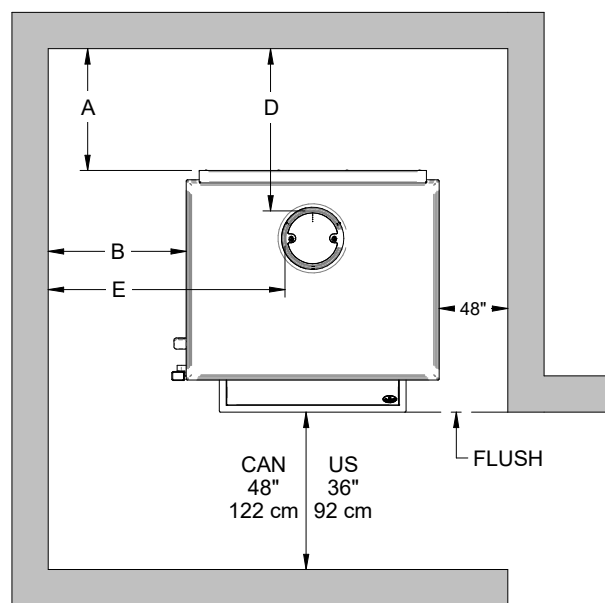
ENGLISH

<sup>1</sup> The pipe distances listed in this table refer to the distances obtained when the stove is installed in accordance with the appliance clearances above mentioned.

### 8.3.2 Mobile Home With Heat Shield (AC02765, AC02766)

|          | APPLIANCE CLEARANCES WITH DOUBLE WALL PIPE CONNECTOR |            |
|----------|--|------------|
|          | Canada   | USA        |
| <b>A</b> | 3" (76 mm)   | 3" (76 mm) |
| <b>B</b> | 3" (76 mm)   | 3" (76 mm) |
| <b>C</b> | 3" (76 mm)   | 3" (76 mm) |

|          | DISTANCES <sup>1</sup> FROM PIPE CONNECTOR WITH DOUBLE WALL PIPE CONNECTOR |                |
|----------|--|----------------|
|          | Canada   | USA            |
| <b>D</b> | 6.25" (159 mm)   | 6.25" (159 mm) |
| <b>E</b> | 8.75" (222 mm)   | 8.75" (222 mm) |
| <b>F</b> | 13" (330 mm)   | 13" (330 mm)   |



## 9. Evacuation System

### 9.1 General Information

The exhaust system, consisting of the chimney and the pipe that connects the cookstove to the chimney, acts as the engine that drives the wood heating system. Even the best appliance will not work as securely and adequately as expected if it is not connected to an adequate chimney.

The heat contained in the exhaust gas, which goes from the cookstove to the chimney connector, then to the chimney, is not lost heat. The chimney uses that heat to create the draft that draws the combustion air, keeps the smoke in the appliance and evacuates the gas securely toward open air. You can consider the heat contained in the exhaust gas as the combustible that the chimney uses to create the draft.

### 9.2 Suitable Chimneys

To be suitable, a prefabricated metal chimney must follow the standards UL 103 HT (USA) or ULC S629 (Canada). Furthermore, this wood burning cookstove has a performance and optimal efficiency when it is connected to a 6" chimney flue.

<sup>1</sup> The pipe distances listed in this table refer to the distances obtained when the stove is installed in accordance with the appliance clearances above mentioned.

### 9.2.1 Factory-Built Metal Chimneys

These are sometimes referred to as ‘high temp’ chimneys because they have the specific characteristics to withstand temperatures that can be created by wood burning stoves. Factory-built chimneys are tested as a system with all the necessary components for installation. The instructions provided with the chimney by its manufacturer are the only reliable source of installation guidelines. To be safe and effective, the chimney must be installed exactly in accordance with the manufacturer’s instructions. Only components intended for the brand and model of chimney should be used. Never fabricate or substitute parts from other chimney brands. The chimney must be a type suitable for solid fuel.

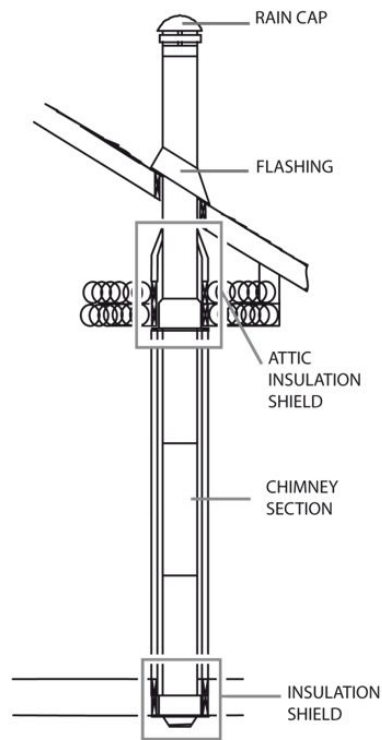


Figure 47: Standard installation

### 9.2.2 Factory-Built Metal Chimneys in Mobile Homes

For use in a mobile home, this stove is to be connected to a 6" double wall factory built chimney pipe conforming to ULC-S629 or UL 103HT standards for 650°C Factory-built chimney. The total length of the flue system should be at least 12 feet including elbows, from the top of the stove.

To maintain an effective vapour barrier, insulation and waterproof at the chimney and outside flue pipe, a roof flashing must be installed and sealed with silicone adhesive.

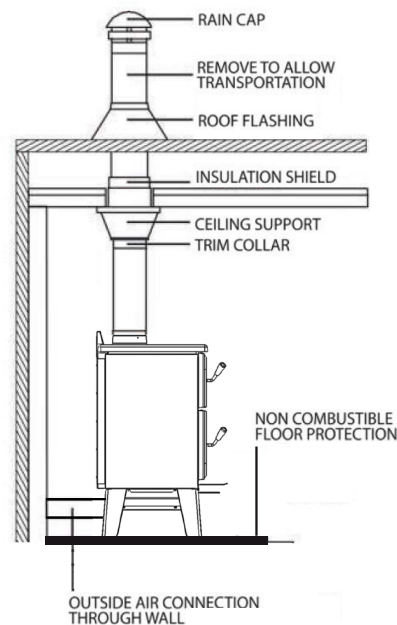


Figure 48: Mobile home installation

### 9.2.3 Masonry Chimneys

The stove may also be connected to a masonry chimney, provided the chimney complies with the construction rules found in the building code enforced locally. The chimney must have either a clay liner or a suitably listed stainless steel liner. If the masonry chimney has a square or rectangular liner that is larger in cross-sectional area than a round 6" flue, it should be relined with a suitably listed 6" stainless steel liner. Do not downsize the flue to less than 6" unless the venting system is straight and exceeds 25 feet in height. When passing through a combustible wall, the use of an insulated listed thimble is required.

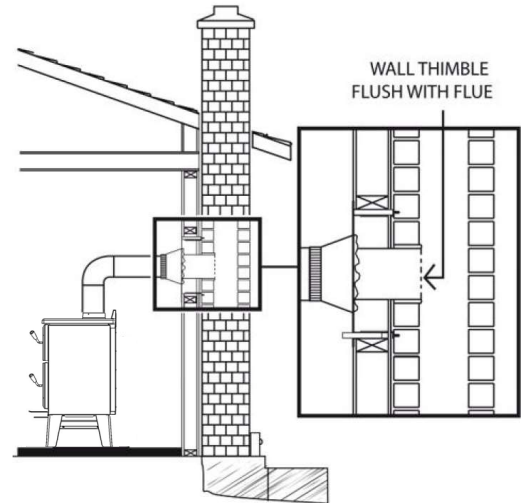


Figure 49: Masonry hearth installation

### 9.3 Minimum Chimney Height

The top of the chimney should be tall enough to be above the air turbulence caused when wind blows against the house and its roof. The chimney must extend at least 3 ft. (1 m) above the highest point of contact with the roof, and at least 2 ft. (60 cm) higher than any roof line or obstacle within a horizontal distance of 10 ft. (3 m).

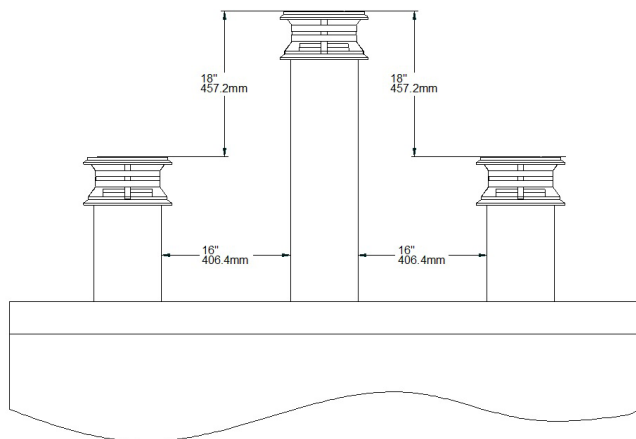


Figure 50: Flat roof

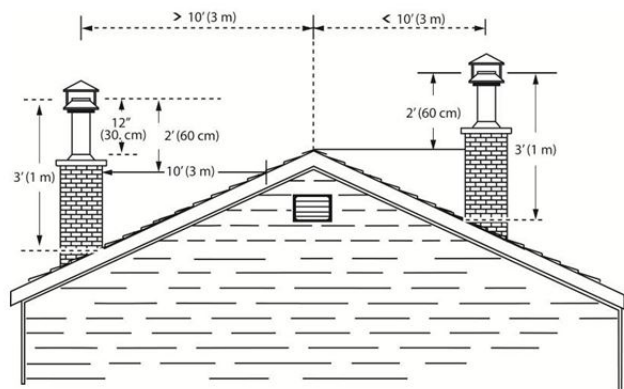


Figure 51: Sloping roof

### 9.4 Chimney Location

Because the venting system is the engine that drives the wood heating system, it must have the right characteristics. The signs of bad system design are cold back drafting when there is no fire in the stove, slow kindling of new fires, and smoke roll-out when the door is opened for loading. There are two guidelines to follow. First, the chimney should be installed up through the heated space of the house, not outside up on the wall. Second, the chimney should ideally go through the highest heated space of the building or near the highest heated space.



Venting systems that rise straight up from the stove flue collar provide the best performance. Chimneys that rise inside the warm space of the house tend to provide a small amount of draft even when there is no fire burning. This means that when a fire is lit, the smoke goes up the chimney and strong draft build quickly as the chimney flue warms up. Although they are common in North America, chimneys that exit a house wall and run up outside can cause problems.

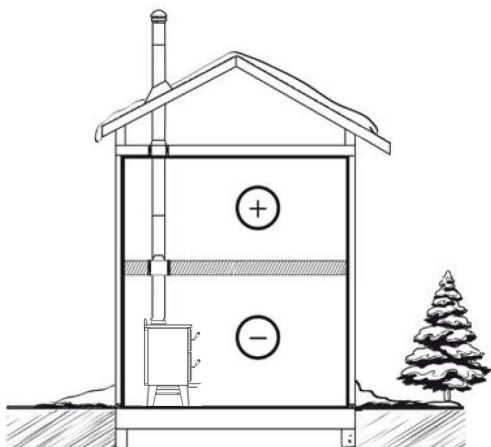


Figure 52: Good System Design

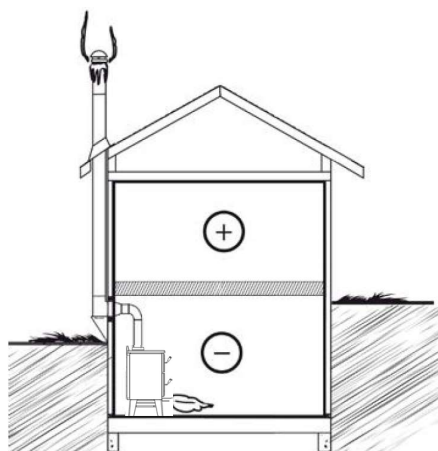
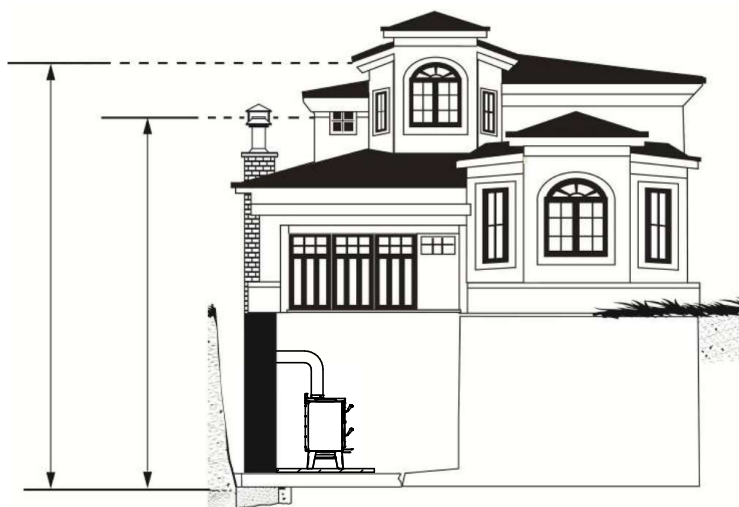


Figure 53: Acceptable System Design

ENGLISH

When it is cold outside, the warm air in the house is buoyant so it tends to rise. This creates a slight pressure difference in the house. Called 'stack effect', it produces a slightly negative pressure in the lower part of the house (compared to the outside) and a slightly positive pressure zone in the high part of the house. If there is no fire burning in a heater connected to a chimney that is shorter than the warm space inside the house, the slight negative pressure in the lower part of the house will compete against the desired upward flow in the chimney. This occurs for the two following reasons:

First, the chimney runs up the outside of the house, so the air in it is colder and denser than the warm air in the house. And second, the chimney is shorter than the heated space of the house, meaning the negative pressure in the lower part of the house will draw cold air down the chimney, through the stove and into the room. Even the finest stove will not work well when connected to this chimney.



## 10. Installing the Chimney Connector

The chimney connector is the single or double wall pipe installed between the stove flue collar and the chimney breech. Single wall pipe components are available from most hardware and building supply stores. These components are not usually tested to a particular standard and certified as compliant. Therefore, a list of rules found in solid fuel installation codes apply to the installation of a single wall pipe.

Double wall chimney connectors are tested and certified. The rules for double wall pipe are found in the manufacturer's installation instructions. These rules will be very different than those for single wall.

### 10.1 Installation of Single Wall Chimney Connector

The chimney connector assembly has been called 'the weak link' in the safety of wood heating systems because failure to install the connector properly (which has been common in the past) can result in house fires.

The best flue pipe assembly is one that rises straight up from the stove to the base of the chimney with no elbows. Straight assemblies are less likely to cause problems like smoke rollout when the door is opened for loading. They are also more stable and easier to maintain than assemblies with elbows. Horizontal runs of flue pipe should be avoided where possible because they reduce chimney draft.

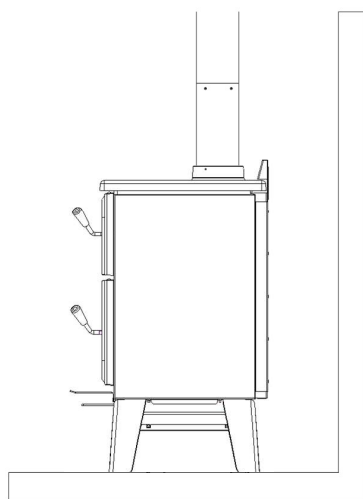


Figure 54: Best

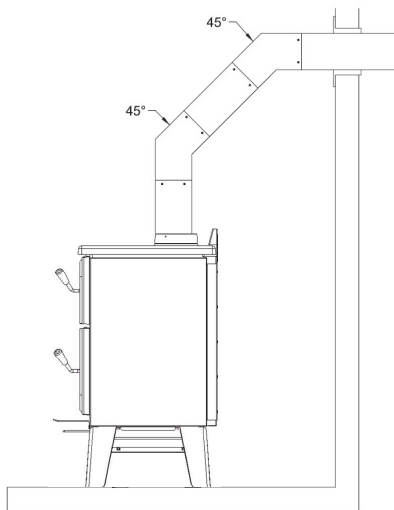


Figure 55: Acceptable

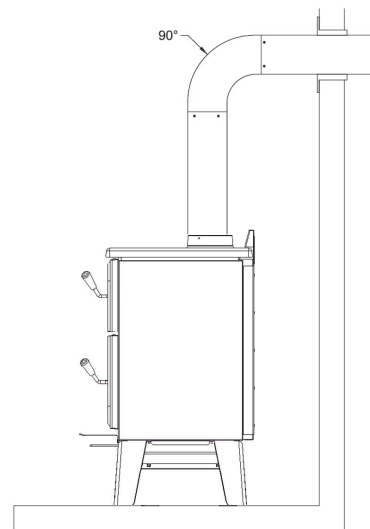


Figure 56: Avoid

The rules below are based on those found in the CSA B365 installation code. Please carefully follow these installation instruction rules, or those enforced by the local code.

- Maximum overall length of horizontal pipe: 10 ft. (3 m) including elbows.
- Minimum clearance from combustible material: 18" (450 mm). The minimum clearance may be reduced by 50 percent to 9" (225 mm) if suitable shielding is installed either on the pipe or on the combustible surface.

- The assembly should be as short and direct as possible between the stove and chimney. The use of two 45 degree elbows is often preferable to a single 90 degree elbow because less turbulence is created in the exhaust flow and they result in less horizontal run.
- The minimum overall height of the chimney system, measured from the stove top to the exterior termination cap of the chimney should be at least 12 ft. (3.66 m). A chimney which is too short may lack the “tunnel effect” required to obtain a proper draft.
- Maximum number of 90-degree elbows: 2.
- Maximum unsupported horizontal length: 3 ft. (1 m).
- Galvanized flue pipes must not be used because the coatings vaporize at high temperatures and release dangerous gases. Use black painted flue pipes.
- Flue pipes must be at least 24 gauge in thickness.
- Flue pipe joints should overlap 1 ¼" (30 mm).
- Each joint in the assembly must be fastened with at least three screws.
- The assembly must make allowance for expansion: elbows in assemblies allow for expansion; straight assemblies should include an inspection wrap with one end unfastened, or a telescopic section.
- Minimum upward slope towards the chimney: ¼ in/ft. (20 mm/m).
- One end of the assembly must be securely fastened to the flue collar with 3 sheet metal screws and the other end securely fastened to the chimney.
- There must be provision for cleaning of the pipes, either through a clean out or by removal of the pipe assembly. Removal of the assembly should not require that the stove be moved.
- The male ends of the sections must be oriented towards the appliance so that falling dust and condensation stay inside the pipe.
- A flue pipe must never pass through a combustible floor or ceiling or through an attic, roof space, closet or concealed space. Where passage through a wall or partition of combustible construction is desired, the installation shall conform to CAN/CSA-B365, Installation Code for Solid-Fuel-Burning Appliances and Equipment.
- A straight up connector assembly needs either a telescopic length or an inspection wrap (pipe coupler) to allow it to be assembled and disassembled without moving the stove.
- A straight flue pipe assembly offers the least restriction to gas flow and results in a stronger draft. Straight assemblies also need less maintenance because there are no corners to collect creosote.
- The chimney and the chimney connector must be clean and in good condition.

## 10.2 Installation of Double wall Chimney Connector

### Important!

The connector (A) PL36899 is required, only on a Ventis double wall pipe installation.

To install a double wall connector on the appliance, the universal connector supplied with the stove must be installed as shown on the picture bellow.

ENGLISH

Insert the connector (A) to the spigot and fix it with the 3 screws (B) included with the appliance.

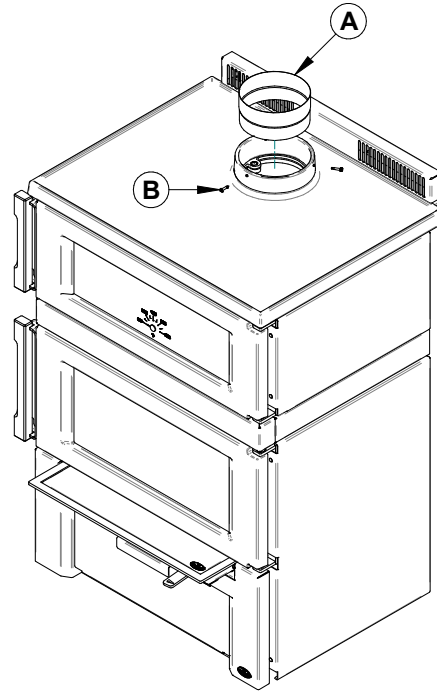


Figure 57: Universal connector PL36899

## 11. Combustion Air

For the cookstove draft to work correctly, the room must have an outside or fresh air inlet, with a minimum of 5" diameter, from the house exterior to the room, that is at least sufficient to replenish the volume of air that comes out of the chimney flue. In well insulated houses an air inlet must be fitted through the outer wall that is not exposed to the prevailing winds, depending on the surrounding conditions of the house. If a vent is installed, it must be fitted in such a way that it cannot be blocked. A fresh air intake register with a airtight damper may be installed to help prevent any uncomfortable air draft.

When the cookstove and the chimney are completely cold, it may be necessary before starting up to provide an external air supply by opening a door or a window for a short period. A house constructed or renovated in a waterproof manner is prone to not having the air exchange required for the proper functioning of a wood heating appliance.

In that case, avoid, during startups, to use appliances that evacuate air outside of the house, such as:

- Cookstove hood
- Bathroom vent
- Air exchange system
- Ventilated central vacuum cleaner
- Dryer

The supply of fresh combustion air can be done in several ways, provided they comply with CSA B365 and NFPA211.

In Canada, wood stoves are not required to have a combustion air supply from outside, except for mobile homes. Research has shown that outside air supply do not compensate for the depressurization of the house and may not be sufficient to provide a supply of combustion air in windy weather. However, to reduce the risks against smoke spillage due to house depressurization, a carbon monoxide (CO) detector is required in the room where the stove is installed. The CO detector will provide warning if for any reason the wood stove fails to function correctly.

### 11.1 Mobile home

This stove is 'mobile home approved'. It must therefore have a supply of combustion air from outdoors. The air intake must not draw air from the attic, from the basement, from a garage or any enclosed space. Air must be drawn from a ventilated crawl space under the floor or directly from outside. Install a flexible or rigid, insulated pipe (HVAC type, must comply to ULC S110 and/or UL 181, Class 0 or Class 1) to the fresh air intake.

Where a mobile home has been converted to a standard house by mounting it on a permanent basement foundation, the supply of outdoor air is not required.

## 11.2 Conventional House

The safest and most reliable supply of combustion air for a wood stove is from the room in which it is installed. Room air is already preheated so it will not chill the fire, and its availability is not affected by wind pressures on the house. Contrary to commonly expressed concerns, almost all tightly sealed new houses have enough natural leakage to provide the small amount of air needed by the stove. The only case in which the wood stove may not have adequate access to combustion air is if the operation of a powerful exhaust device (such as a kitchen range exhaust) causes the pressure in the house to become negative relative to outdoors.

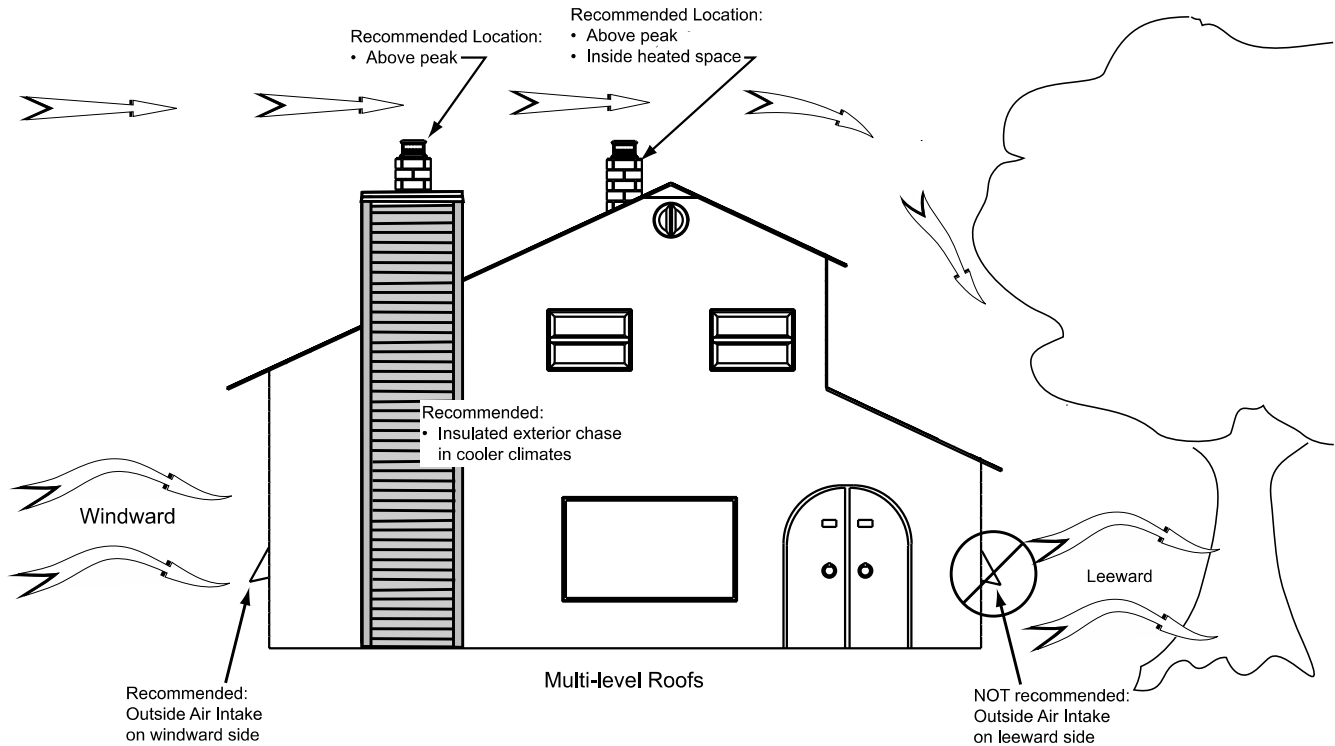


Figure 58: Air supply in conventional houses

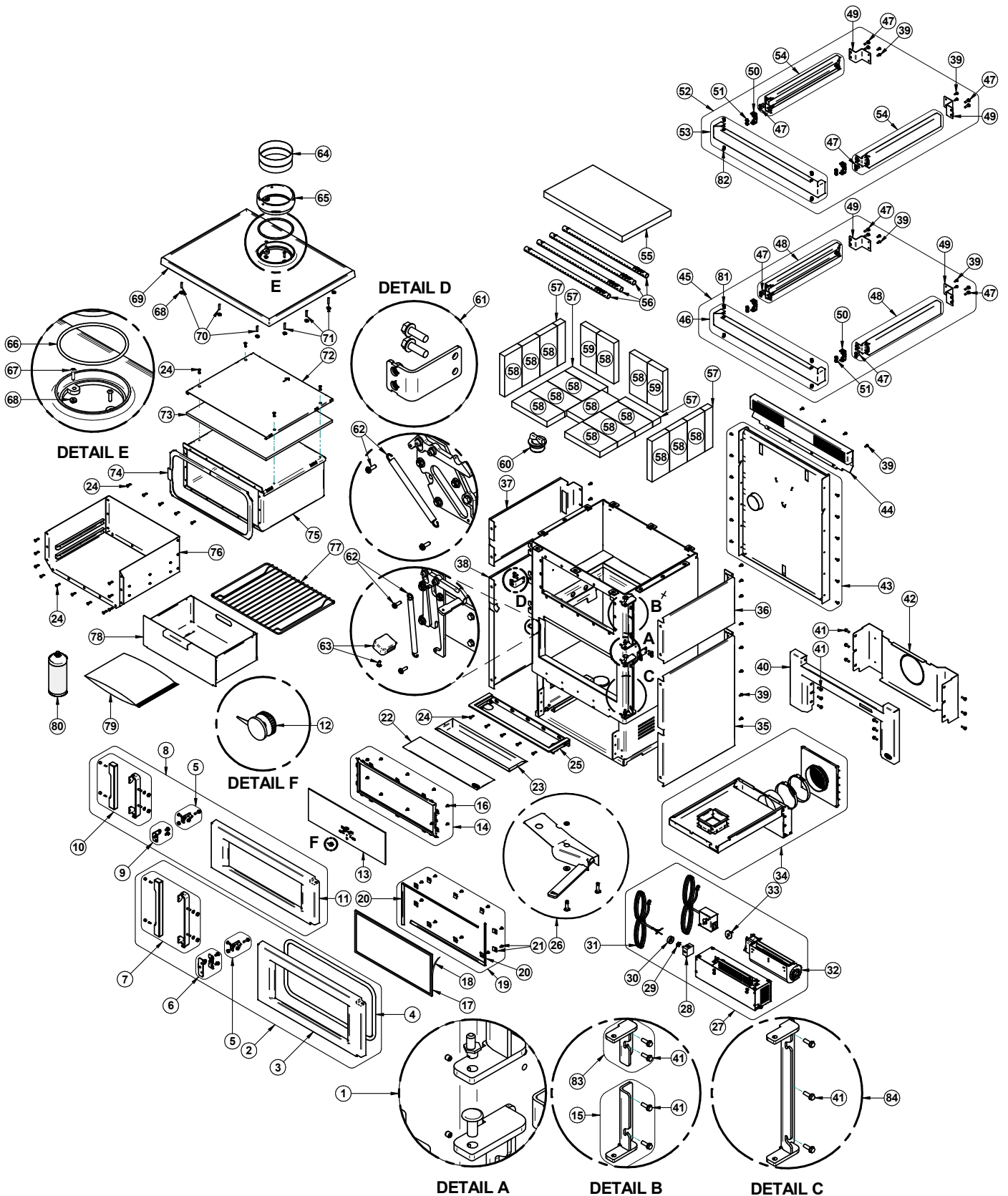
If an air intake is installed through the wall of the house, its pressure can vary during windy weather. If there are changes in wood stove performance in windy weather, and in particular if smoke puffs from the stove, the air duct should be disconnected from the stove to determine if it is the cause of the problem. In some windy conditions, negative pressure at the duct weather hood outside the house wall may draw hot exhaust gases from the stove backwards through the duct to outdoors. Check the outdoor air duct for soot deposits when the full system is cleaned and inspected at least once each year.

## 12. Troubleshooting

| PROBLEM  | POSSIBLE CAUSES   | SOLUTION  |
|--|---|---|
| Oven window or combustion chamber's window blackening. | <ul style="list-style-type: none"> <li>• Draft too low</li> <li>• Bad air intake adjustment</li> <li>• Too much combustible in the cookstove.</li> <li>• Wood with a high rate of relative humidity &gt; 20-25%</li> <li>• Unregulated combustion.</li> </ul> | <ul style="list-style-type: none"> <li>• Check that all the pipes are clean.</li> <li>• Modify the chimney: increase the height or check surroundings.</li> <li>• Reduce the quantity of combustible in the combustion chamber.</li> <li>• Dry the wood longer.</li> </ul>  |
| Irregular draw.  | <ul style="list-style-type: none"> <li>• Inadequate or dirty chimney.</li> <li>• Dirt in the combustion chamber or in the cookstove.</li> <li>• Strong winds</li> </ul>   | <ul style="list-style-type: none"> <li>• Sweep the chimney or have it clean by a professional.</li> <li>• Clean the cookstove.</li> <li>• Relocate chimney or fresh air intake.</li> </ul>  |
| Black smoke leaking out of the cookstove.              | <ul style="list-style-type: none"> <li>• Ignition with green wood.</li> <li>• Smoke pipe obstructed.</li> </ul>   | <ul style="list-style-type: none"> <li>• Ignite the cookstove with suitable combustible.</li> <li>• Ask for professional qualified assistance.</li> </ul>   |
| Smoke coming out of the cookstove.                     | <ul style="list-style-type: none"> <li>• Combustion chamber's door open while the cookstove is heating.</li> <li>• Insufficient draw</li> <li>• Bad adjustments of the air inlets during startup.</li> <li>• The cookstove must be cleaned.</li> </ul>        | <ul style="list-style-type: none"> <li>• Check the door closing and the tightness of the gaskets.</li> <li>• Check the chimney system.</li> <li>• Eliminate or reduce to minimum the deviations and horizontal lengths in the chimney.</li> <li>• Check all the chimney sections as well as its height on the outside.</li> <li>• Ask for a chimney inspection by a certified technician.</li> <li>• Regularly clean the cookstove as indicated.</li> </ul> |

# 13. Parts List

ENGLISH





IMPORTANT: THIS IS DATED INFORMATION. When requesting service or replacement parts for your unit, please provide the model number and the serial number. We reserve the right to change parts due to technology upgrade or availability. Contact an authorized dealer to obtain any of these parts. Never use substitute materials. Use of non-approved parts can result in poor performance and safety hazards.

| #  | Item    | Description   | Qty |
|----|---------|---|-----|
| 1  | SE75863 | HINGE KIT   | 2   |
| 2  | SE75864 | COMBUSTION CHAMBER DOOR KIT                               | 1   |
| 3  | SE24410 | COMBUSTION CHAMBER DOOR                                   | 1   |
| 4  | AC06500 | SILICONE AND 5/8" X 8' BLACK DOOR GASKET KIT (AC-DGKNC)   | 1   |
| 5  | SE75865 | DOOR LATCH KIT  | 2   |
| 6  | SE75868 | COMBUSTION CHAMBER DOOR LOCK KIT                          | 1   |
| 7  | SE75869 | COMBUSTION CHAMBER DOOR HANDLE KIT                        | 1   |
| 8  | SE75878 | OVEN DOOR KIT   | 1   |
| 9  | SE75879 | OVEN DOOR LOCK KIT  | 1   |
| 10 | SE75880 | OVEN DOOR HANDLE KIT                                      | 1   |
| 11 | SE24409 | OVEN DOOR   | 1   |
| 12 | 31397   | THERMOMETER WITH NUT                                      | 1   |
| 13 | 23140   | OVEN DOOR GLASS   | 1   |
| 14 | SE75856 | OVEN DOOR GLASS MOLDING KIT                               | 1   |
| 15 | SE75706 | DOOR BRACKET  | 1   |
| 16 | 30124   | SCREW #8 - 32 X 5/16" TRUSS QUADREX ZINC                  | 10  |
| 17 | SE75866 | COMBUSTION CHAMBER GLASS WITH GASKET                      | 1   |
| 18 | AC06400 | 3/4" X 6' FLAT BLACK SELF-ADHESIVE GLASS GASKET (AC-GGK)  | 1   |
| 19 | SE75857 | COMBUSTION CHAMBER DOOR GLASS MOLDING KIT                 | 1   |
| 20 | PL75857 | COMBUSTION CHAMBER GLASS GASKET MOLDING                   | 2   |
| 21 | SE53585 | GLASS RETAINER KIT  | 10  |
| 22 | 23080   | GLASS FOR ASH SHELF                                       | 1   |
| 23 | PL65016 | ASH TRAY  | 1   |
| 24 | 30507   | BLACK TORX SCREW WITH FLAT HEAD TYPE F 1/4-20 X 3/4"      | 25  |
| 25 | SE75875 | ASH SHELF ASSEMBLY  | 1   |
| 26 | SE74542 | AIR CONTROL DAMPER ASSEMBLY                               | 1   |
| 27 | AC01000 | ASSEMBLED VARIABLE SPEED FAN 130CFM (THERMODISC INCLUDED) | 1   |
| 28 | 44080   | RHEOSTAT WITHOUT NUT (MODEL KBMS-13BV)                    | 1   |
| 29 | 44087   | RHEOSTAT NUT  | 1   |
| 30 | 44085   | RHEOSTAT KNOB   | 1   |
| 31 | 60013   | POWER CORD 96" X 18-3 type SJT (50 pcs per carton)        | 1   |
| 32 | 40070   | FAN 130CFM  | 1   |
| 33 | 44028   | CERAMIC THERMODISC F110-20F                               | 1   |

ENGLISH

| #  | Item    | Description  | Qty |
|----|---------|--|-----|
| 34 | AC01211 | 5"Ø FRESH AIR INTAKE KIT FOR WOOD STOVE ON LEGS          | 1   |
| 35 | PL75864 | DECORATIVE PANEL BOTTOM RIGHT                            | 1   |
| 36 | PL75862 | DECORATIVE PANEL UPPER RIGHT                             | 1   |
| 37 | PL75863 | DECORATIVE PANEL UPPER LEFT                              | 1   |
| 38 | PL75865 | DECORATIVE PANEL BOTTOM LEFT                             | 1   |
| 39 | 30154   | BLACK SCREW #10 X 5/8" QUADREX #2 TYPE A                 | 29  |
| 40 | SE75854 | FRONT BASE   | 1   |
| 41 | 30094   | SCREW 1/4"-20 X 3/4" HEX 3/8" SLOTTED WASHER TYPE F ZINC | 19  |
| 42 | PL75756 | REAR BASE  | 1   |
| 43 | SE75862 | REAR HEAT SHIELD   | 1   |
| 44 | SE75861 | BACK SPLASH ASSEMBLY                                     | 1   |
| 45 | OA10268 | BLACK MOLDING ASSEMBLY                                   | 1   |
| 46 | SE75896 | BLACK MOLDING CENTER                                     | 1   |
| 47 | 30252   | SCREW 1/4"-20 X 5/16" BUTTONHEAD HEX CREUX #3/32" BLACK  | 24  |
| 48 | SE75889 | BLACK MOLDING SIDE                                       | 2   |
| 49 | PL75895 | DECORATIVE MOLDING BRACKET                               | 4   |
| 50 | PL75891 | CENTER MOLDING SUPPORT                                   | 4   |
| 51 | 30100   | NUT HEX 1/4"-20 BLACK                                    | 8   |
| 52 | OA10269 | STAINLESS MOLDING ASSEMBLY                               | 1   |
| 53 | SE75888 | STAINLESS MOLDING CENTER                                 | 1   |
| 54 | SE75897 | STAINLESS MOLDING SIDE                                   | 2   |
| 55 | 21389   | 20" X 12 1/2" X 1 1/4" C-CAST                            | 1   |
| 56 | PL65514 | SECONDARY AIR TUBE                                       | 4   |
| 57 | PL36056 | 2" X 9" X 1 1/4" REFRACTORY BRICK                        | 4   |
| 58 | 29020   | 4 1/2" X 9" X 1 1/4" REFRACTORY BRICK                    | 15  |
| 59 | 29011   | 4" X 9" X 1 1/4" REFRACTORY BRICK                        | 2   |
| 60 | 24096   | ROUND CAST IRON ASH PLUG                                 | 1   |
| 61 | SE75885 | MOLDING SUPPORT KIT                                      | 2   |
| 62 | SE75882 | DOOR LOCK REPLACEMENT SPRING KIT                         | 2   |
| 63 | SE75886 | STAINED WOOD HANDLE KIT                                  | 1   |
| 64 | PL36899 | DOUBLE WALL ADAPTOR                                      | 1   |
| 65 | PL24365 | CAST IRON SPIGOT PAINTED                                 | 1   |
| 66 | AC06815 | 3/16" X 5' BLACK GASKET AND SILICONE KIT                 | 1   |
| 67 | 30024   | 1/4-20 X 1" MECHANICAL SCREW PAN QUADREX ZINC            | 2   |
| 68 | 30782   | HEX FLANGE NUT SERRATED 1/4-20 STAINLESS 18-8            | 14  |
| 69 | SE24408 | TOP ASSEMBLY   | 1   |
| 70 | 31232   | 1/4"-20 X 1" SOCKET SET SCREW                            | 6   |
| 71 | 30128   | 1/4"-20 X 1 1/4" SOCKET SET SCREW                        | 6   |

| #  | Item    | Description   | Qty |
|----|---------|---|-----|
| 72 | PL74534 | INSULATING PROTECTIVE                                 | 1   |
| 73 | 21635   | 17" X 20 5/16" X 1/2" INSULATION                      | 1   |
| 74 | AC06950 | 1" X 1/8" X 9' SELF-ADHESIVE GASKET                   | 1   |
| 75 | SE75883 | OVEN KIT  | 1   |
| 76 | SE75709 | OVEN INTERIOR   | 1   |
| 77 | 31224   | COOKSTOVE OVEN GRILL                                  | 1   |
| 78 | PL75709 | ASH DRAWER  | 1   |
| 79 | SE46389 | GUSTO INSTRUCTION MANUAL KIT                          | 1   |
| 80 | AC05959 | METALLIC BLACK STOVE PAINT - 342 g (12oz) AEROSOL     | 1   |
| 81 | 31407   | SCREW 4 1/4"-20 X 5/8" PHILLIPS FLAT HEAD BLACK-OXIDE | 4   |
| 82 | 31409   | SCREW 4 1/4"-20 X 5/8" PHILLIPS FLAT HEAD STAINLESS   | 4   |
| 83 | SE75707 | DOOR BRACKET  | 1   |
| 84 | SE75704 | DOOR BRACKET  | 1   |

# GUSTO COOKING STOVE LIMITED LIFETIME WARRANTY

The warranty of the manufacturer extends only to the original retail purchaser and is not transferable. This warranty covers brand new products only, which have not been altered, modified nor repaired since shipment from factory. Proof of purchase (dated bill of sale), model name and serial number must be supplied when making any warranty claim to your OSBURN dealer.

**This warranty applies to normal residential use only. This warranty is void if the unit is used to burn material other than cordwood (for which the unit is not certified by EPA) and void if not operated according to the owner's manual. Damages caused by misuse, abuse, improper installation, lack of maintenance, over firing, negligence or accident during transportation, power failures, downdrafts, venting problems or under-estimated heating area are not covered by this warranty. The recommended heated area for a given appliance is defined by the manufacturer as its capacity to maintain a minimum acceptable temperature in the designated area in case of a power failure.**

This warranty does not cover any scratch, corrosion, distortion, or discoloration. Any defect or damage caused by the use of unauthorized or other than original parts voids this warranty. An authorized qualified technician must perform the installation in accordance with the instructions supplied with this product and all local and national building codes. Any service call related to an improper installation is not covered by this warranty.

The manufacturer may require that defective products be returned or that digital pictures be provided to support the claim. Returned products are to be shipped prepaid to the manufacturer for investigation. Transportation fees to ship the product back to the purchaser will be paid by the manufacturer. Repair work covered by the warranty, executed at the purchaser's domicile by an authorized qualified technician requires the prior approval of the manufacturer. All parts and labour costs covered by this warranty are limited according to the table below.

The manufacturer, at its discretion, may decide to repair or replace any part or unit after inspection and investigation of the defect. The manufacturer may, at its discretion, fully discharge all obligations with respect to this warranty by refunding the wholesale price of any warranted but defective parts. The manufacturer shall, in no event, be responsible for any uncommon, indirect, consequential damages of any nature, which are in excess of the original purchase price of the product. **A one-time replacement limit applies to all parts benefiting from lifetime coverage.** This warranty applies to products purchased after June 1<sup>st</sup>, 2015.

| DESCRIPTION   | WARRANTY APPLICATION* |         |
|---|-----------------------|---------|
|   | PARTS                 | LABOUR  |
| Combustion chamber (welds only) and cast iron door frame  | Lifetime***           | 5 years |
| Ceramic glass**, plating (manufacturing defect**), and convector air-mate   | Lifetime***           | N/A     |
| Surrounds, heat shields, ash drawer, steel legs, pedestal, trims (aluminum extrusions), vermiculite, C-Cast or equivalent baffle**, secondary air tubes**, removable stainless steel combustion chamber, deflectors, and supports | 7 years***            | N/A     |
| Handle assembly, glass retainers and air control mechanism  | 5 years               | 3 years |
| Removable carbon steel combustion chamber components  | 5 years               | N/A     |
| Standard and optional blower, heat sensors, switches, rheostat, wiring, and electronics   | 2 years               | 1 year  |
| Paint (peeling**), gaskets, insulation, ceramic fiber blankets, refractory bricks (fireplace only***), and other options  | 1 year                | N/A     |
| All parts replaced under the warranty   | 90 days               | N/A     |

*\*Subject to limitations above    \*\*Picture required    \*\*\*limited to one replacement*

Labour cost and repair work to the account of the manufacturer are based on a predetermined rate schedule and must not exceed the wholesale price of the replacement part.

Shall your unit or a components be defective, contact immediately your **OSBURN** dealer. To accelerate processing of your warranty claim, make sure to have on hand the following information when calling:

- Your name, address and telephone number
- Bill of sale and dealer's name
- Installation configuration
- Serial number and model name as indicated on the nameplate fixed to the back of your unit
- Nature of the defect and any relevant information

**Before shipping your unit or defective component to our plant, you must obtain an Authorization Number from your OSBURN dealer. Any merchandise shipped to our plant without authorization will be refused automatically and returned to sender.**





This document is available for free download on the manufacturer's website. It is a copyrighted document. Resale is strictly prohibited. The manufacturer may update this document from time to time and cannot be responsible for problems, injuries, or damages arising out of the use of information contained in any document obtained from unauthorized sources.



Stove Builder International inc.  
250, rue de Copenhague,  
St-Augustin-de-Desmaures (Québec) Canada  
G3A 2H3  
1-877-356-6663  
<https://www.osburn-mfg.com/en/>  
[tech@sbi-international.com](mailto:tech@sbi-international.com)