

IMPORTANT: SECURE ALL FLUE PIPE JOINTS, INCLUDING CONNECTOR WITH A MINIMUM OF 3 METAL SCREWS

Quick Start Guide

Before connecting the ducts, make 2 or 3 fires to fully cure the paint.
Please, read the manual completely before using this furnace.

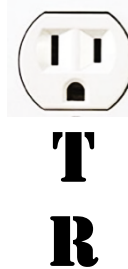
Clearances to combustible material

Left side wall	Right side wall	Back wall from blower box with single wall pipe	Back wall from blower box with double wall pipe	Ceiling from plenum	Ceiling from ducts	Floor	Front Wall	Single Wall Flue Pipe
24" (610 mm)	11" (279 mm)	14.25" (362 mm)	6.75" (171 mm)	5" (127 mm)	0" (0 mm)	0" (0 mm)	48" (1219 mm)	18" (457 mm)

Start-Up and Cold-Start

EASY LIGHTING PRESS, LOAD, LIGHT AND CLOSE THE DOOR			
ON CALL FOR HEAT + HEAT AVAILABLE MAXIMUM ENERGY			
BLINKING SLOW NO CALL FOR HEAT + HEAT AVAILABLE ENERGY SAVING			
OFF LIGHTING REQUIRED LOW ENERGY			
BLINKING FAST DO NOT ADD WOOD THERMAL PROTECTION			
POWER OUTAGE REMOVE THE AIR FILTER (IF APPLICABLE)			

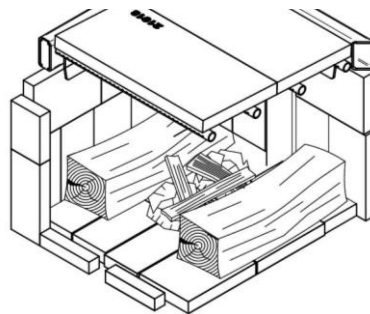
1. A heat resistant sticker can be found in the user manual bag. Apply this sticker on the warm-air duct near the reload button as a reminder for the use of the reload button.



2. Plug the power cable into a 120V wall outlet. You will hear the motor running for the first calibration of their minimum opening. Plug your wall thermostat into the terminal identified with the big T on the back of the furnace. Plug the RTD into the terminal identified with a big R.



3. Push the reload button: The light on the button will blink 3 quick times. Air controls are now at the maximum opening, ready for ignition.



4. Open the door and load your firebox: Place paper and kindling on top of the ash grate, place logs North-South on each side, next crisscross logs on-top of them. **LEAVE AIR SPACE BETWEEN LOGS FOR CLEAN AND POWERFUL START!**

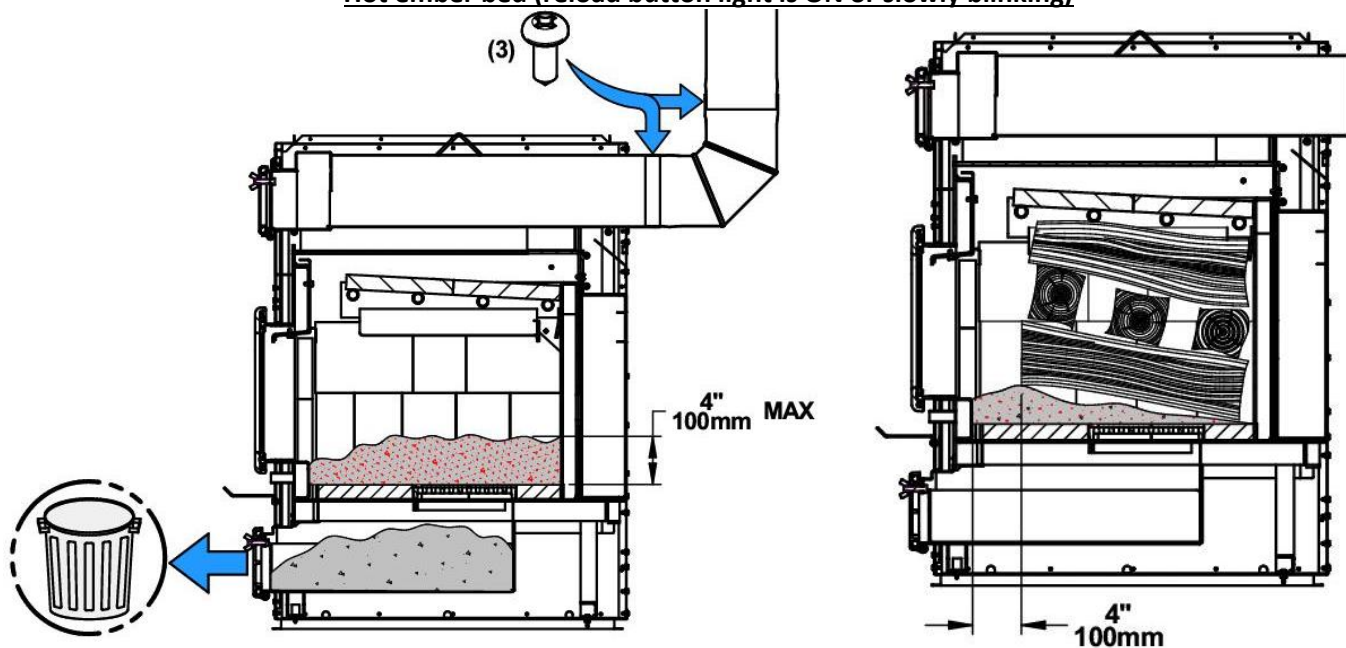
Led button states

	Light is ON: Maximum burn level. Air control regulation for lowest emissions. Ember bed burner. Fan blows at a normal speed to release all heat available. Thermostat calls for heat.
	Light Blinking Slowly (1.5 second per blink): Energy saving mode. Fan blows only to release extra heat (more cycling). Fire is at the minimum to keep a good combustion. Ember bed saver. No call-for-heat on the thermostat.
	Light is OFF: Cold ember bed. Needs paper and kindling to be re-ignited.
	Light blinking quickly (5 blinks per second): Do not add wood. Air controls fully closed. If firebox maximum temperature is reached, fan will blow at normal speed. If plenum maximum temperature is reached, fan will blow at maximum speed.

IMPORTANT: SECURE ALL FLUE PIPE JOINTS, INCLUDING CONNECTOR WITH A MINIMUM OF 3 METAL SCREWS

WARNING: Please note that any high-efficiency wood heater like your Heat Commander can accumulate gas and ignite suddenly, creating in rare occasions a burst that can put pressure on the system when it is released. This burst could be powerful enough to detach the pipe connector at the back of the unit if it is not properly secured, causing smoke to spill into the room. For this reason, **IT IS CRUCIAL THAT YOUR PIPE CONNECTOR BE PROPERLY SECURED WITH AT LEAST 3 METAL SCREWS** as indicated in the installation section. Furthermore, in order to prevent this rare situation from occurring, it is always recommended that you follow these simple loading rules:

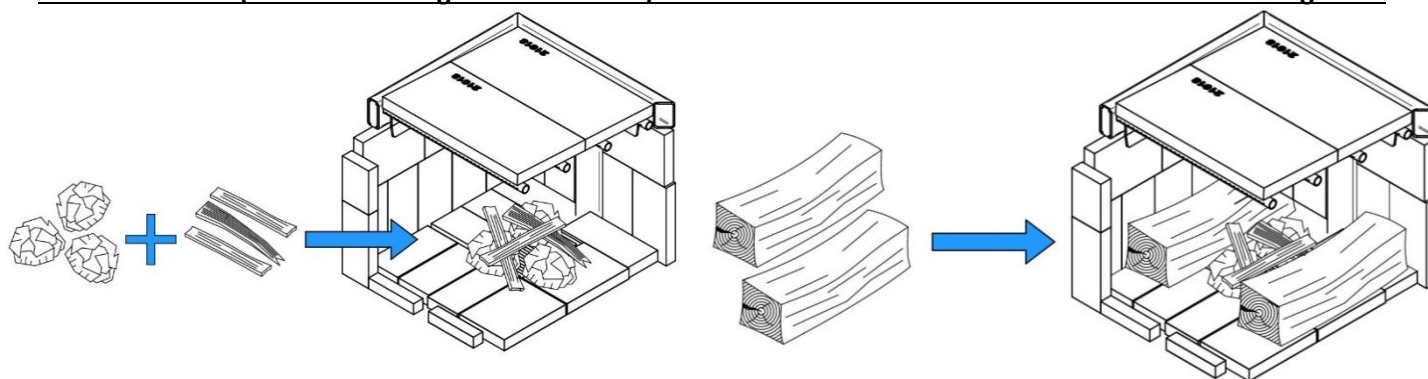
Hot ember bed (reload button light is ON or slowly blinking)



Max 4" of embers and ash accumulation at the bottom of the firebox. If more than 4", increase the target temperature on the thermostat or remove ash when the unit has cooled down. Empty your ash pan every week.

Bring hot embers to the front. Load in the back. Leave 4" of free space in the front. Crisscross logs. Leave air space between logs.

Cold ember bed (reload button light is turned OFF). This condition indicates the furnace needs to be re-ignited.



Press the reload button before opening the door. Put paper and kindling on top of the ash grate to help re-ignite.

Add one log on each side of the ash grate, then crisscross other logs over them. Ignite the paper and **leave door open until a flame appears.**